



US00D735339S

(12) **United States Design Patent**
Meinertz

(10) **Patent No.:** **US D735,339 S**
(45) **Date of Patent:** **** Jul. 28, 2015**

(54) **HEARING AID**

(71) Applicant: **GN ReSound A/S**, Ballerup (DK)

(72) Inventor: **Philip Meinertz**, Gentofte (DK)

(73) Assignee: **GN RESOUND A/S**, Ballerup (DK)

(**) Term: **14 Years**

(21) Appl. No.: **29/477,198**

(22) Filed: **Dec. 19, 2013**

(30) **Foreign Application Priority Data**

Jul. 2, 2013 (EP) 002267047

(51) **LOC (10) Cl.** **24-99**

(52) **U.S. Cl.**
USPC **D24/174**

(58) **Field of Classification Search**
USPC D24/173–175, 151; D14/205, 206,
D14/223–226, 249; 381/23.1, 312,
381/322–324, 328, 330, 380, 381; 181/135
See application file for complete search history.

(56) **References Cited**

U.S. PATENT DOCUMENTS

D646,788 S *	10/2011	Dubs et al.	D24/174
D667,121 S *	9/2012	Mori et al.	D24/174
D676,558 S *	2/2013	Meinertz	D24/174
D676,968 S *	2/2013	Meinertz	D24/174
D685,912 S *	7/2013	Havn et al.	D24/174
D687,952 S *	8/2013	Dubs	D24/174
D698,024 S *	1/2014	Meinertz	D24/174

D698,027 S *	1/2014	Olsen	D24/174
D705,936 S *	5/2014	Lockenwitz	D24/174
2010/0111315 A1 *	5/2010	Kroman	381/60

* cited by examiner

Primary Examiner — Anhdao Doan

(74) *Attorney, Agent, or Firm* — Vista IP Law Group, LLP

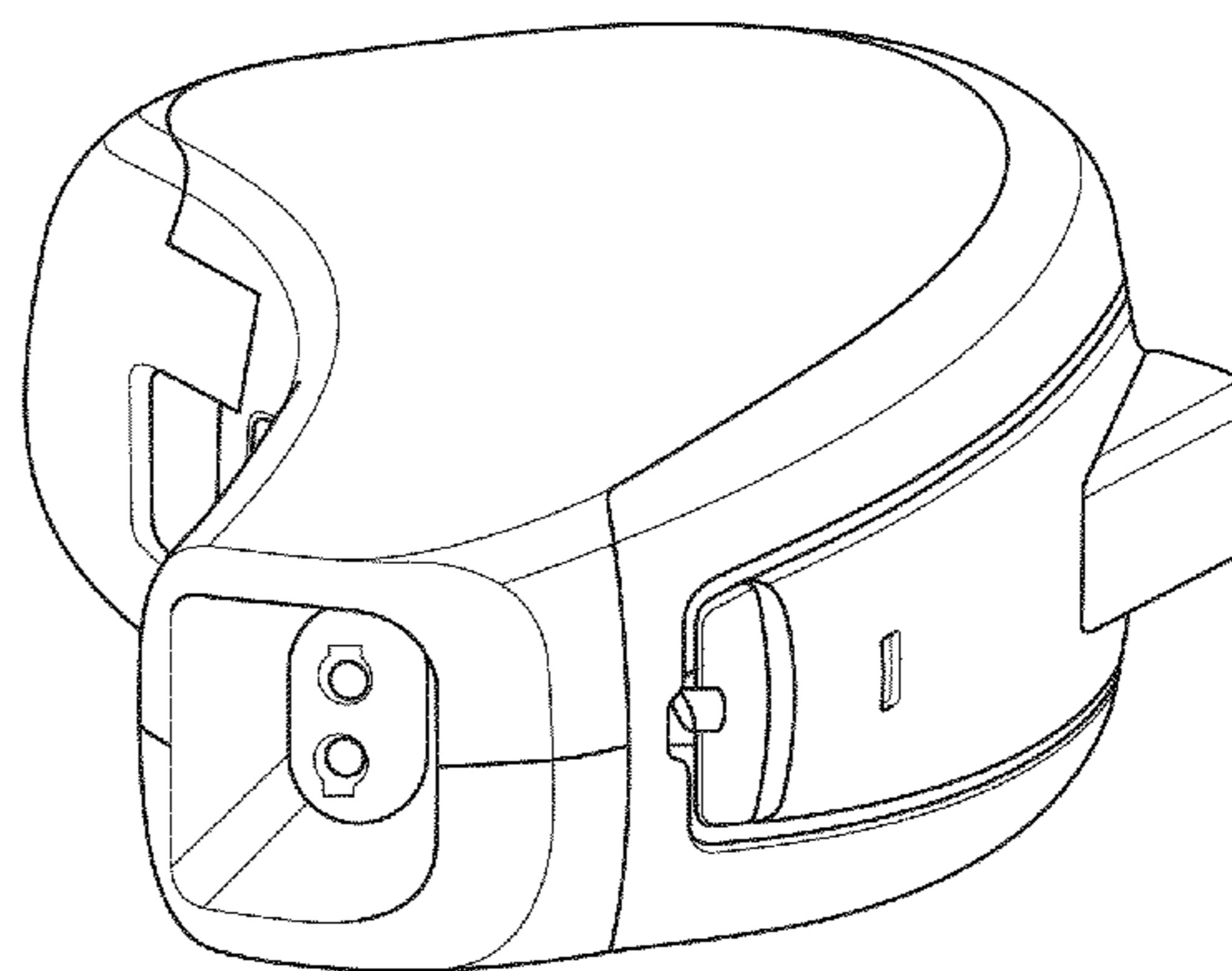
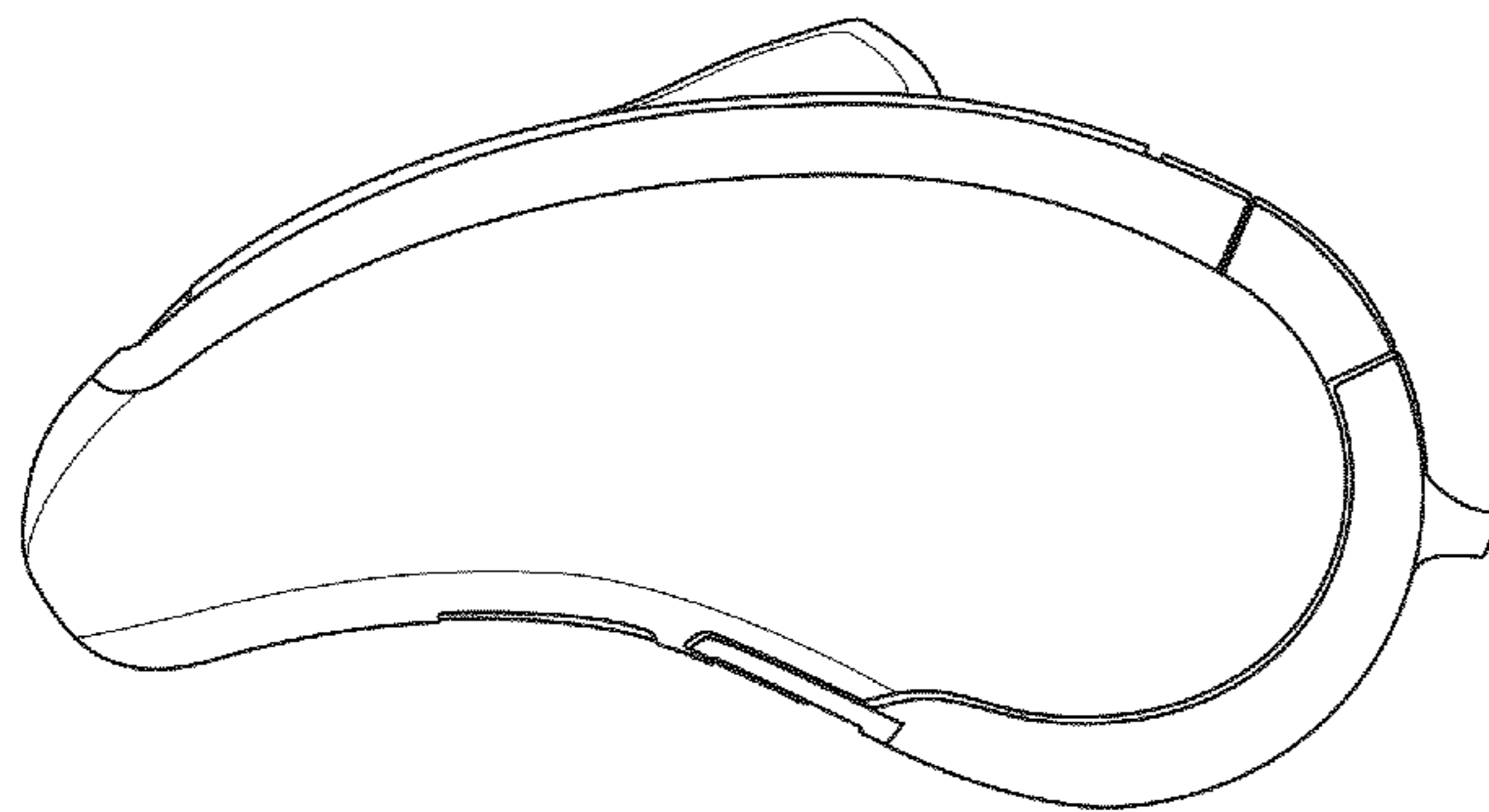
(57) **CLAIM**

The ornamental design for a hearing aid, as shown and described.

DESCRIPTION

FIG. 1 is a side view of a hearing aid of my design;
 FIG. 2 is another side view of the hearing aid of my design;
 FIG. 3 is a perspective view of the hearing aid of my design;
 FIG. 4 is another perspective view of the hearing aid of my design;
 FIG. 5 is another perspective view of the hearing aid of my design;
 FIG. 6 is another perspective view of the hearing aid of my design;
 FIG. 7 is another perspective view of the hearing aid of my design;
 FIG. 8 is another side view of the hearing aid of my design;
 FIG. 9 is another perspective view of the hearing aid of my design; and,
 FIG. 10 is another perspective view of the hearing aid of my design.
 The broken lines in the FIGS. 9 and 10 views are directed to environmental structures and form no part of the claimed design.

1 Claim, 6 Drawing Sheets



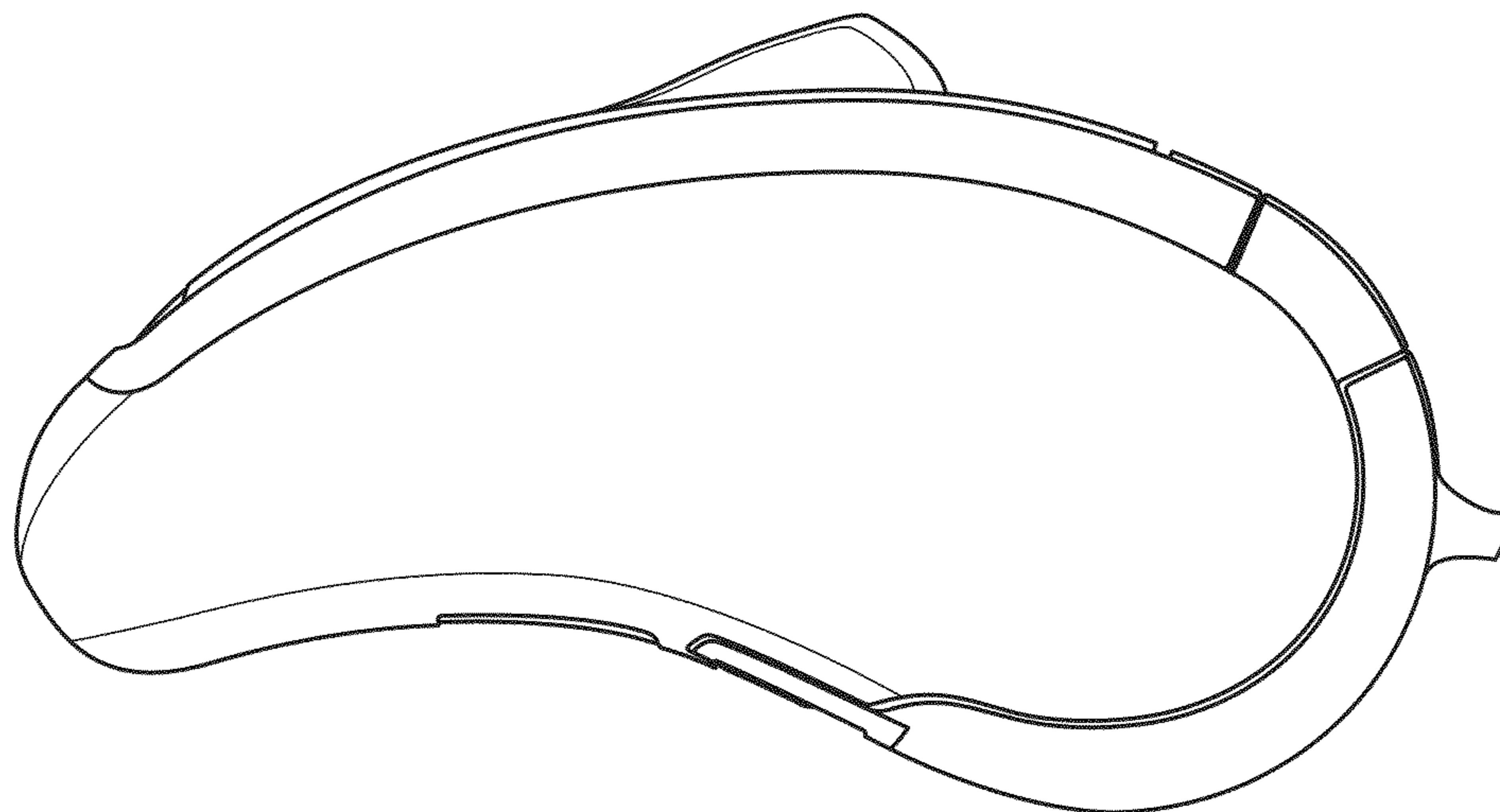


FIG. 1

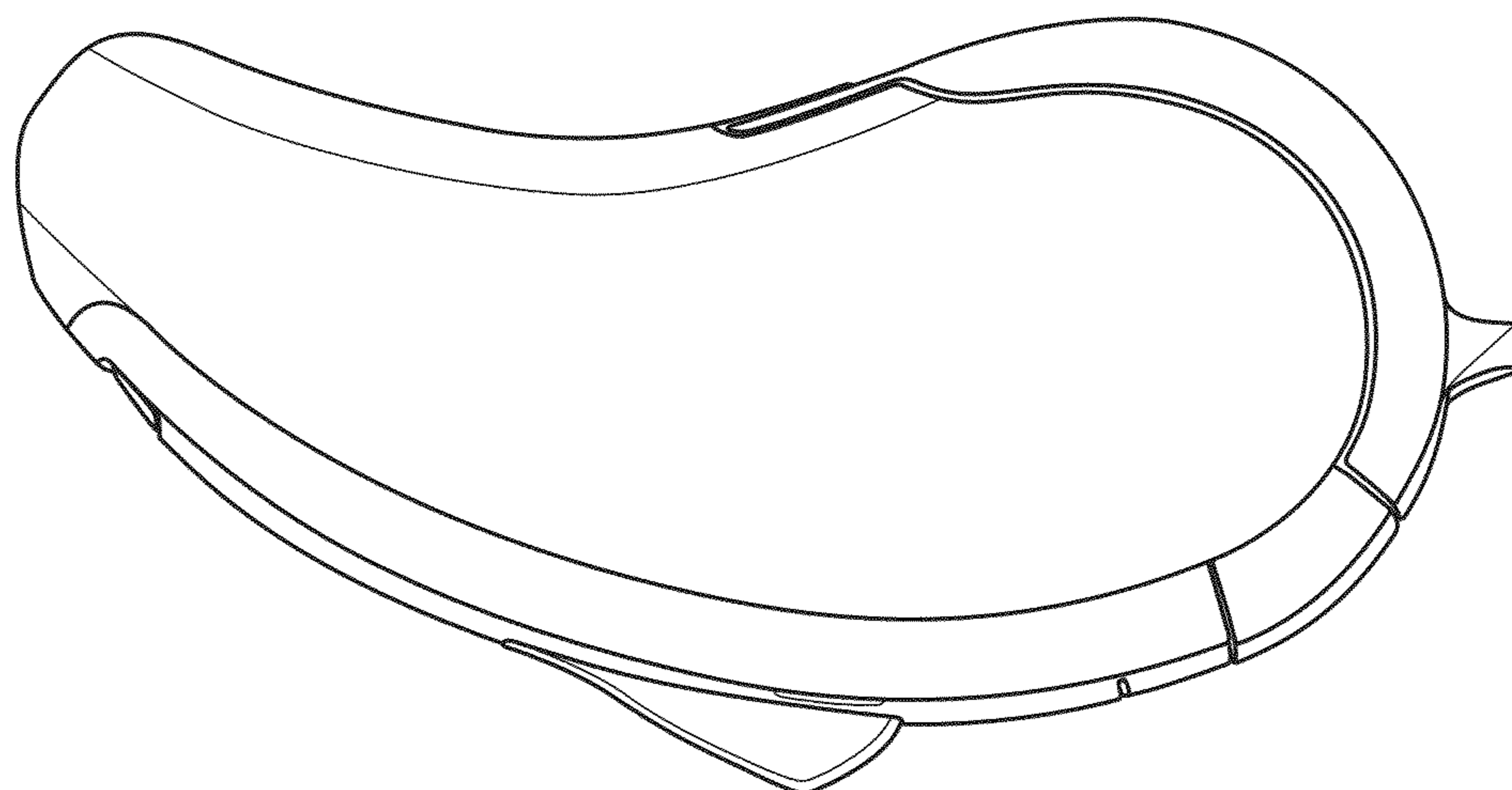


FIG. 2

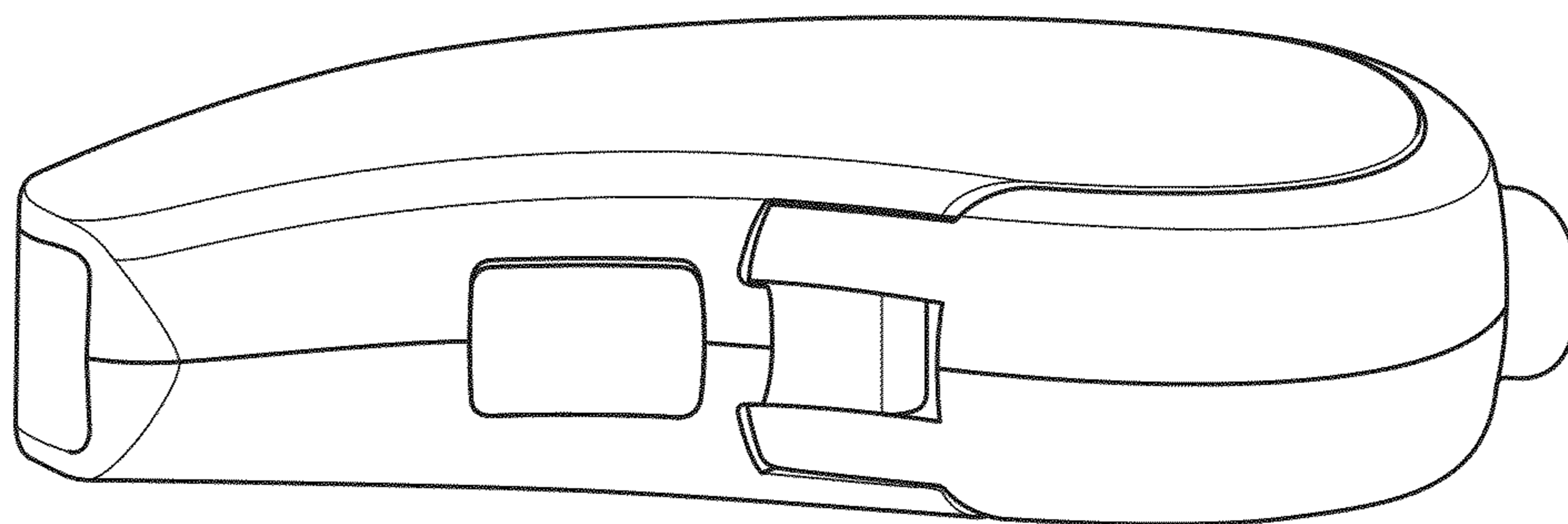


FIG. 3

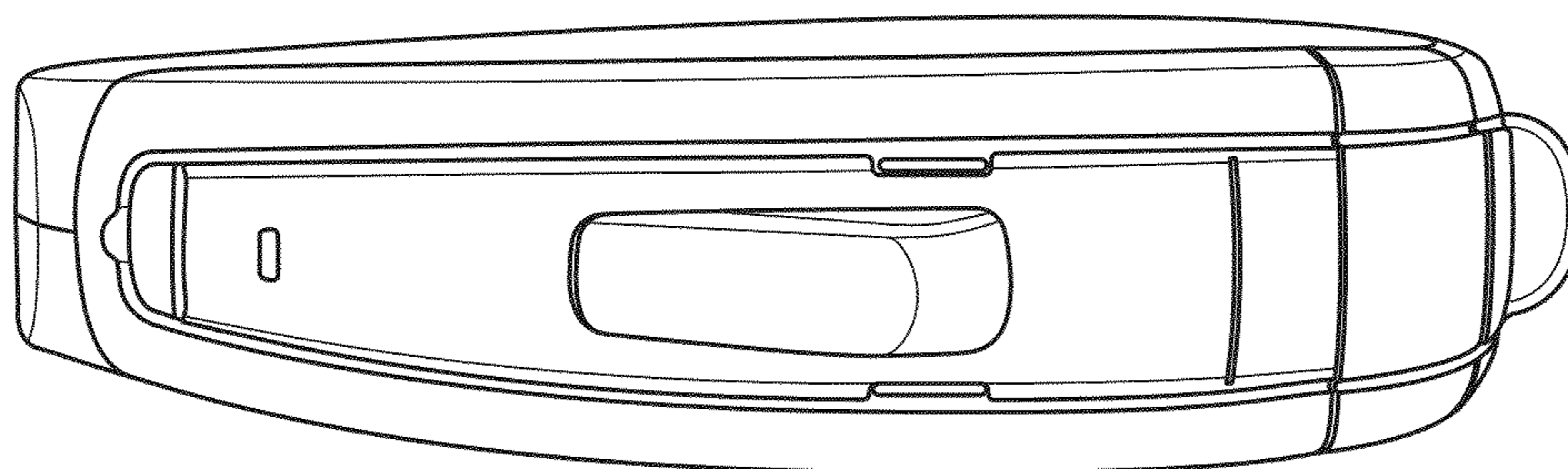


FIG. 4

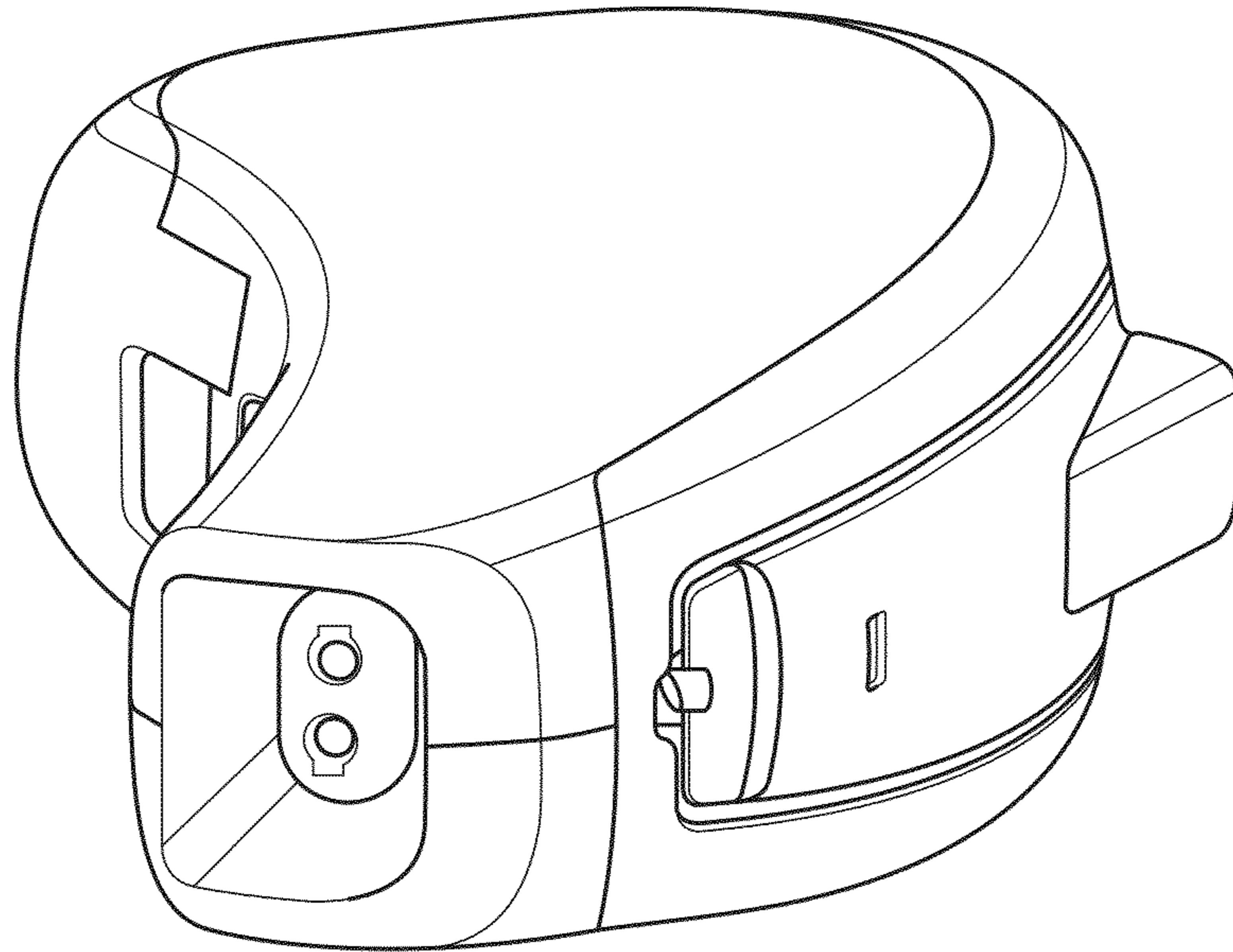


FIG. 5

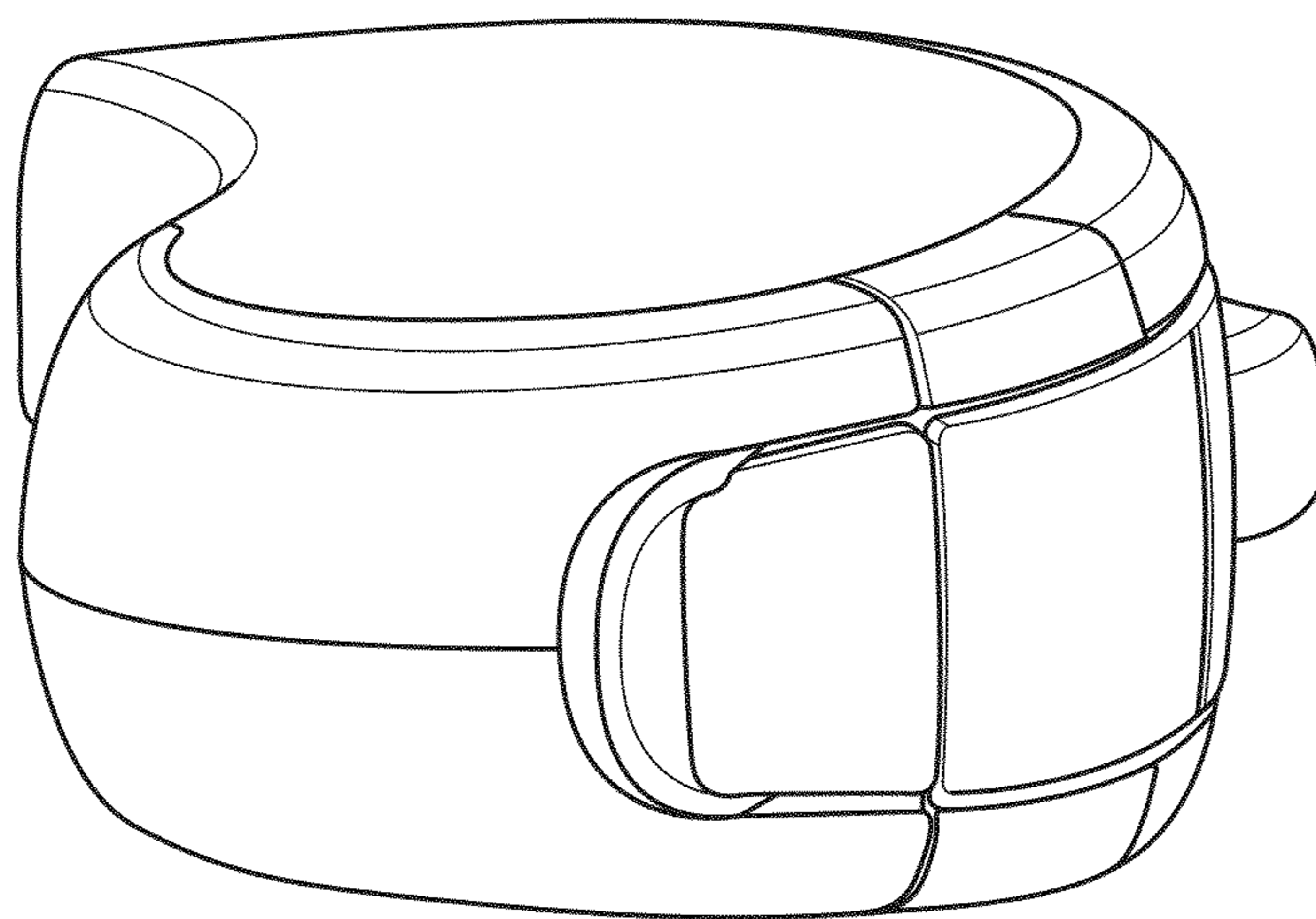


FIG. 6

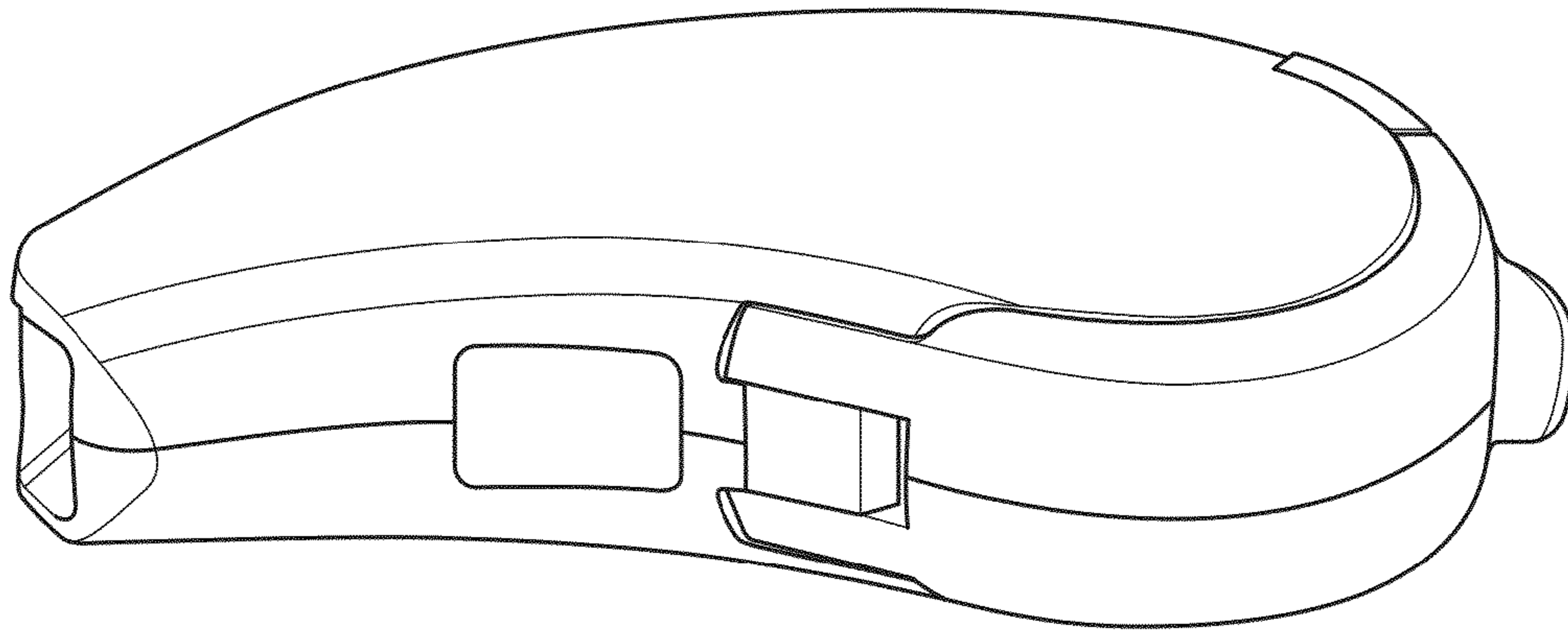


FIG. 7

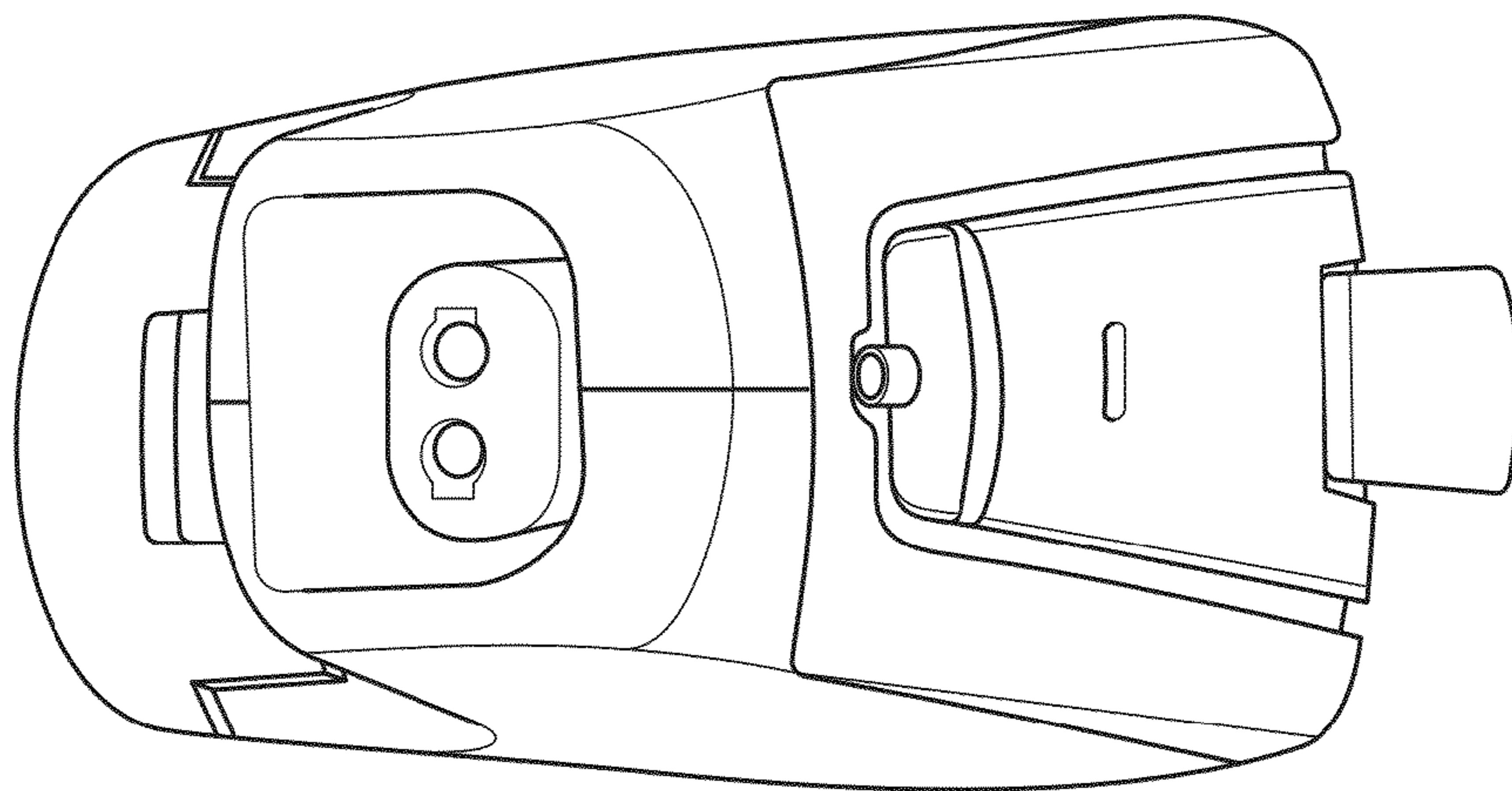


FIG. 8

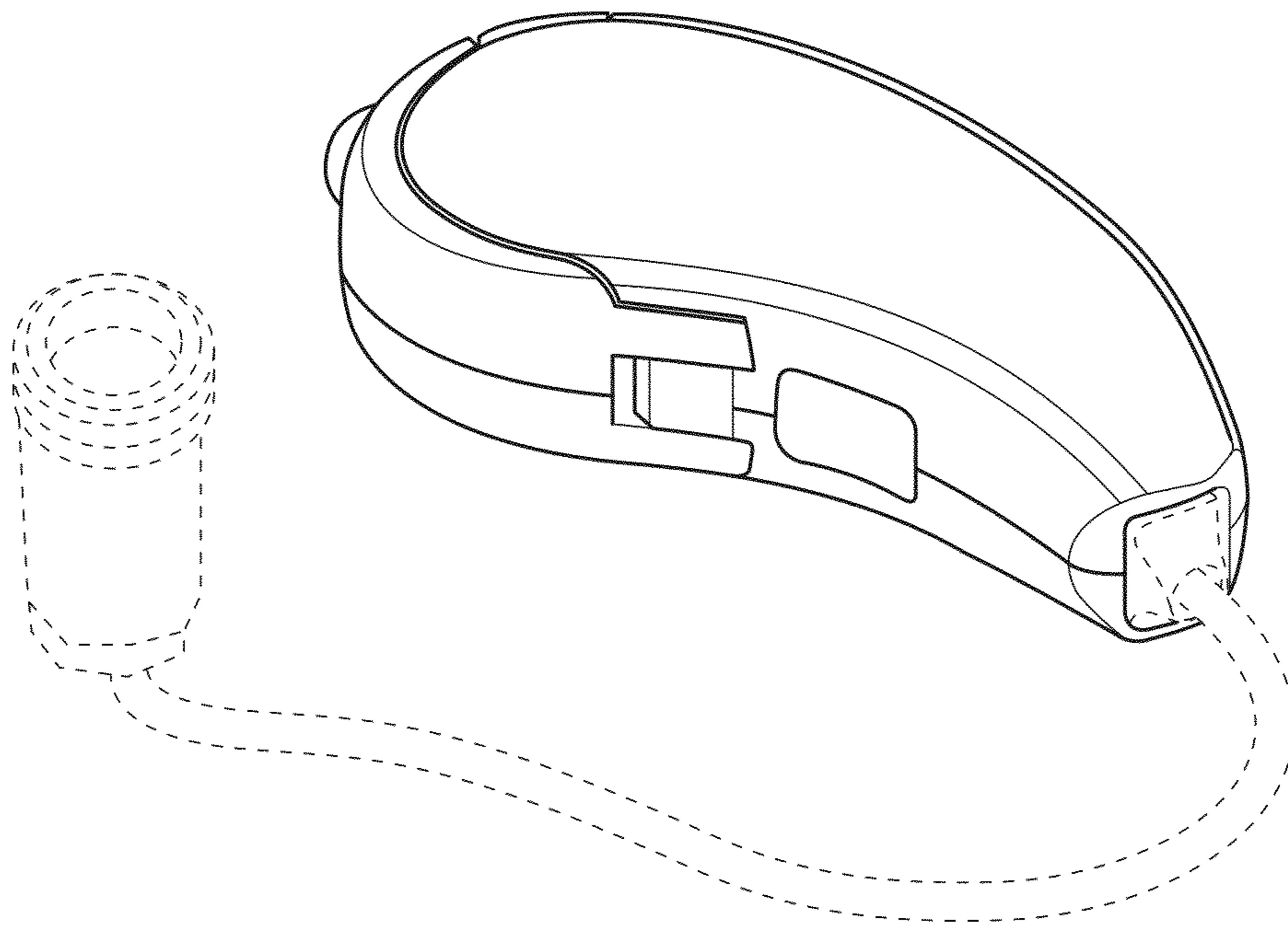


FIG. 9

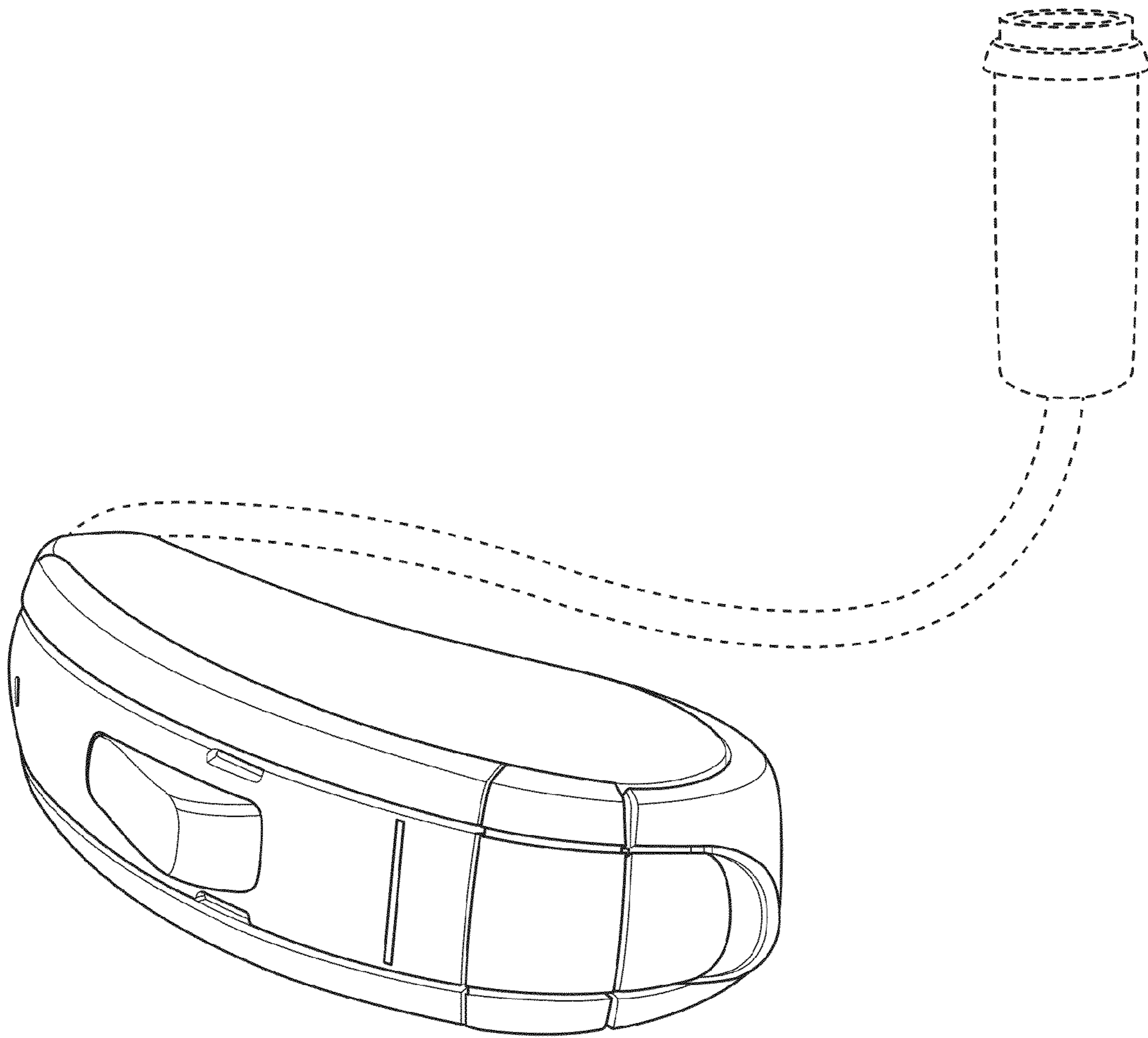


FIG. 10