



US00D735338S

(12) **United States Design Patent**
Goldberg

(10) **Patent No.:** **US D735,338 S**

(45) **Date of Patent:** **** Jul. 28, 2015**

(54) **HUMERAL COMPONENT FOR SHOULDER ARTHROPLASTY**

(71) Applicant: **Catalyst Orthopaedics LLC**, Naples, FL (US)

(72) Inventor: **Steven Scott Goldberg**, Naples, FL (US)

(73) Assignee: **CATALYST ORTHOPAEDICS LLC**, Naples, FL (US)

(**) Term: **14 Years**

(21) Appl. No.: **29/471,474**

(22) Filed: **Oct. 31, 2013**

(51) **LOC (10) Cl.** **24-00**

(52) **U.S. Cl.**
USPC **D24/171**

(58) **Field of Classification Search**
USPC D24/171, 155, 185; 623/19.14, 20.15, 623/16.11, 19.13, 19.11, 18.11, 22.32, 623/22.26, 19.12, 20.11; 606/99; D30/160
CPC A61F 2220/0033; A61F 2/3804; A61F 2/4081; A61F 2002/30604; A61F 2/34; A61F 2220/0025; A61F 2/28; A61F 2/4611
See application file for complete search history.

(56) **References Cited**

U.S. PATENT DOCUMENTS

D285,968	S	*	9/1986	Kinnett	D24/155
5,370,702	A	*	12/1994	Jones	623/22.34
5,489,309	A	*	2/1996	Lackey et al.	623/19.14
5,549,682	A	*	8/1996	Roy	623/19.14
5,776,200	A	*	7/1998	Johnson et al.	623/20.15
5,876,456	A	*	3/1999	Sederholm et al.	623/16.11
5,928,285	A	*	7/1999	Bigliani et al.	623/19.13
5,944,758	A	*	8/1999	Mansat et al.	623/19.14
5,961,555	A	*	10/1999	Huebner	623/19.11
6,056,777	A	*	5/2000	McDowell	623/18.11
6,139,582	A	*	10/2000	DeCarlo et al.	623/22.32
6,162,256	A	*	12/2000	Ostiguy et al.	623/22.26
6,171,340	B1	*	1/2001	McDowell	623/18.11

(Continued)

Primary Examiner — Holly Baynham

Assistant Examiner — Rhea Shields

(74) *Attorney, Agent, or Firm* — Maywood IP Law; G. Jo Hays; David W. Meibos

(57) **CLAIM**

The ornamental design for a humeral component for shoulder arthroplasty, as shown and described.

DESCRIPTION

This application claims the benefit of U.S. patent application Ser. No. 14/069,154, which was filed on Oct. 31, 2013, is entitled Humeral Arthroplasty. The contents of U.S. application Ser. No. 14/069,154 are hereby incorporated by reference in its entirety as part of this application.

FIG. 1 is a front left perspective view of a humeral component for shoulder arthroplasty;

FIG. 2 is a back left perspective view of the humeral component for shoulder arthroplasty;

FIG. 3 is a back view of the humeral component for shoulder arthroplasty;

FIG. 4 is a front view of the humeral component for shoulder arthroplasty;

FIG. 5 is a right side view of the humeral component for shoulder arthroplasty;

FIG. 6 is a left side view of the humeral component for shoulder arthroplasty;

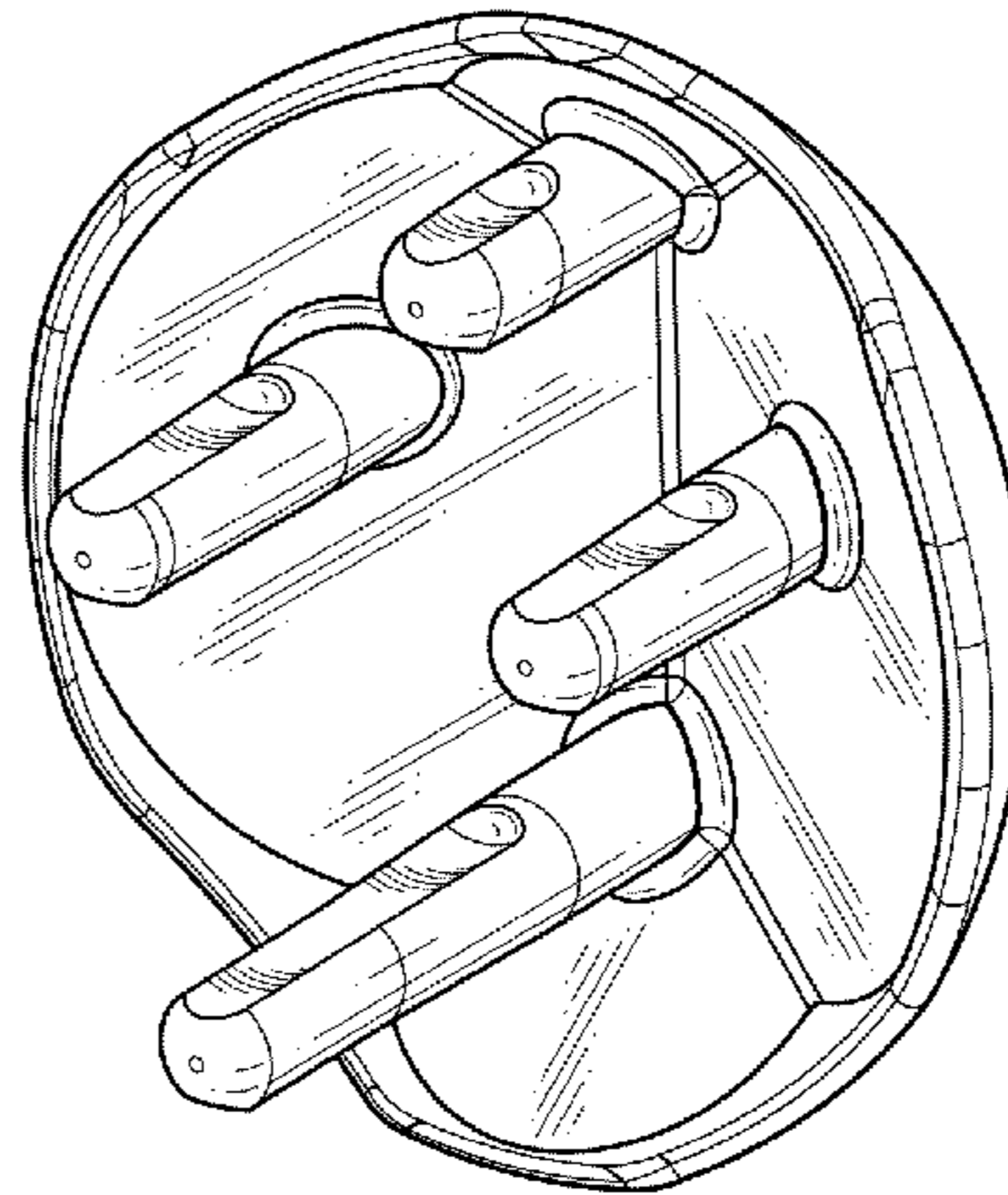
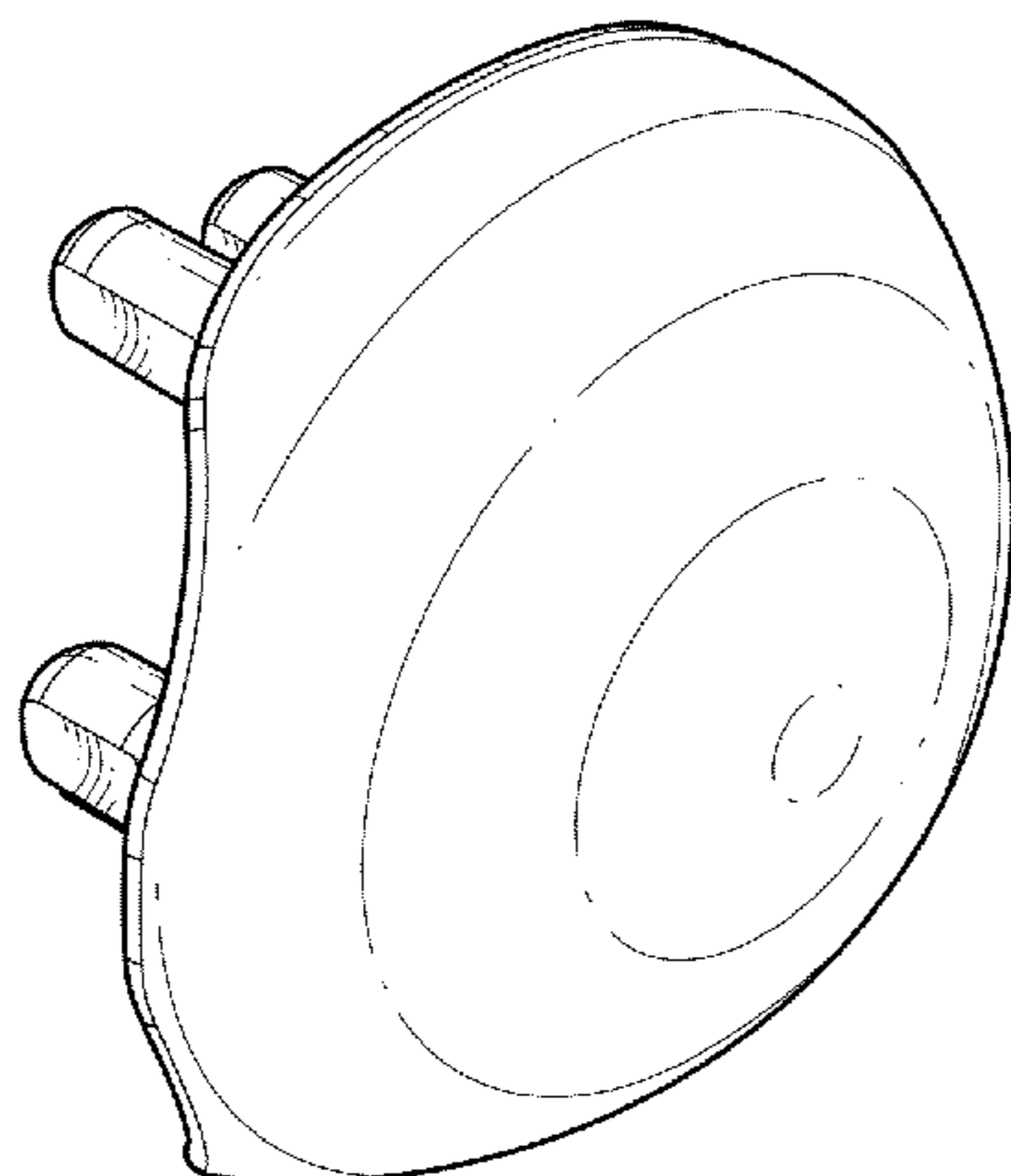
FIG. 7 is a top view of the humeral component for shoulder arthroplasty;

FIG. 8 is a bottom view of the humeral component for shoulder arthroplasty;

FIG. 9 is a cross sectional view of a left portion of the humeral component for shoulder arthroplasty taken along line 9-9 of FIG. 3; and,

FIG. 10 is a cross sectional view of a bottom portion of the humeral component for shoulder arthroplasty taken along line 10-10 of FIG. 3.

1 Claim, 5 Drawing Sheets



(56)

References Cited

U.S. PATENT DOCUMENTS

6,171,341	B1 *	1/2001	Boileau et al.	623/19.11	6,379,386	B1 *	4/2002	Resch et al.	623/19.13
6,187,012	B1 *	2/2001	Masini	606/99	6,398,812	B1 *	6/2002	Masini	623/19.14
6,197,062	B1 *	3/2001	Fenlin	623/19.12	6,508,840	B1 *	1/2003	Rockwood et al.	623/19.12
6,197,063	B1 *	3/2001	Dews	623/19.14	7,160,329	B2 *	1/2007	Cooney et al.	623/20.11
6,228,120	B1 *	5/2001	Leonard et al.	623/19.12	8,007,538	B2 *	8/2011	Gunther	623/19.11
					D721,459	S *	1/2015	Smith	D30/160
					D723,692	S *	3/2015	Meyer et al.	D24/155

* cited by examiner

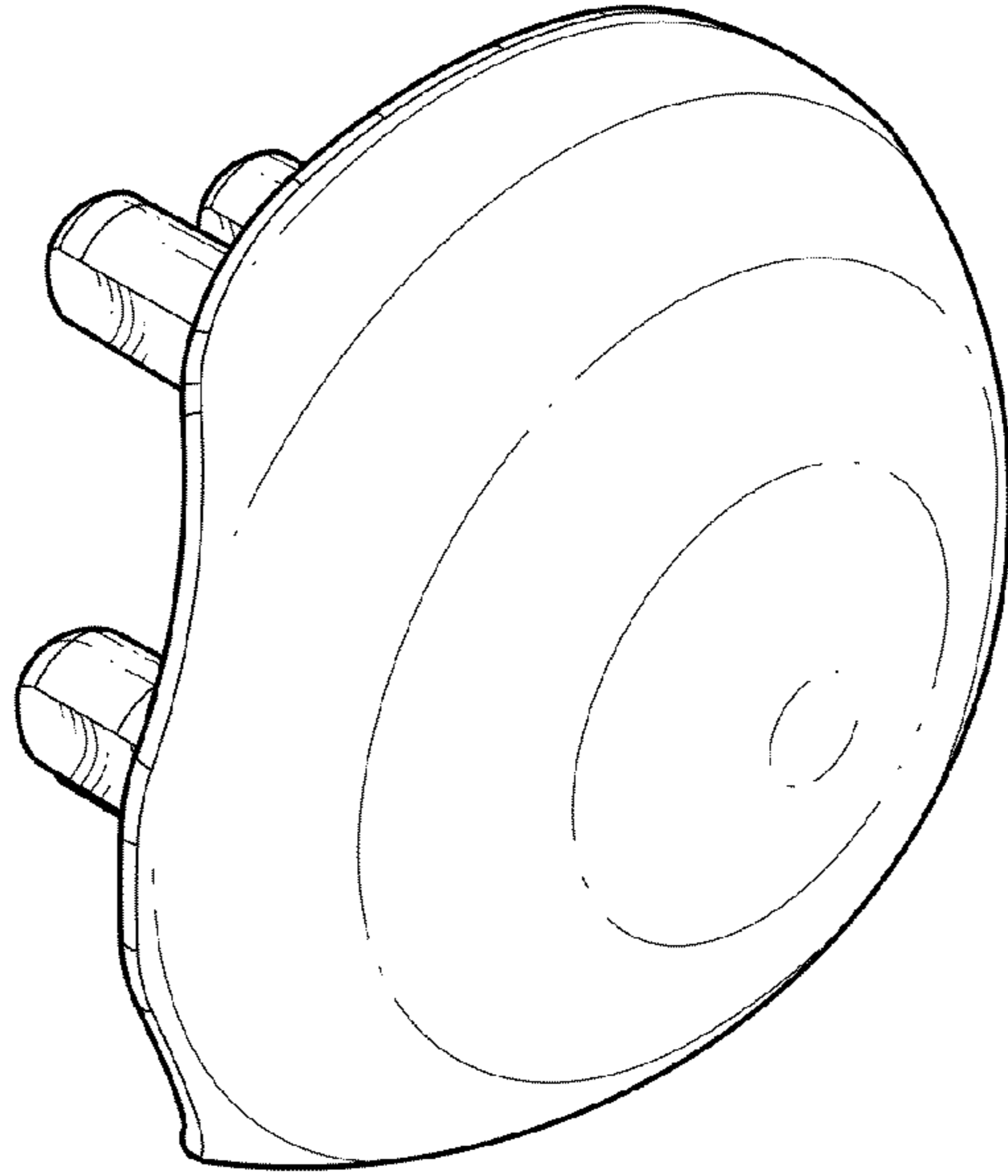


FIG. 1

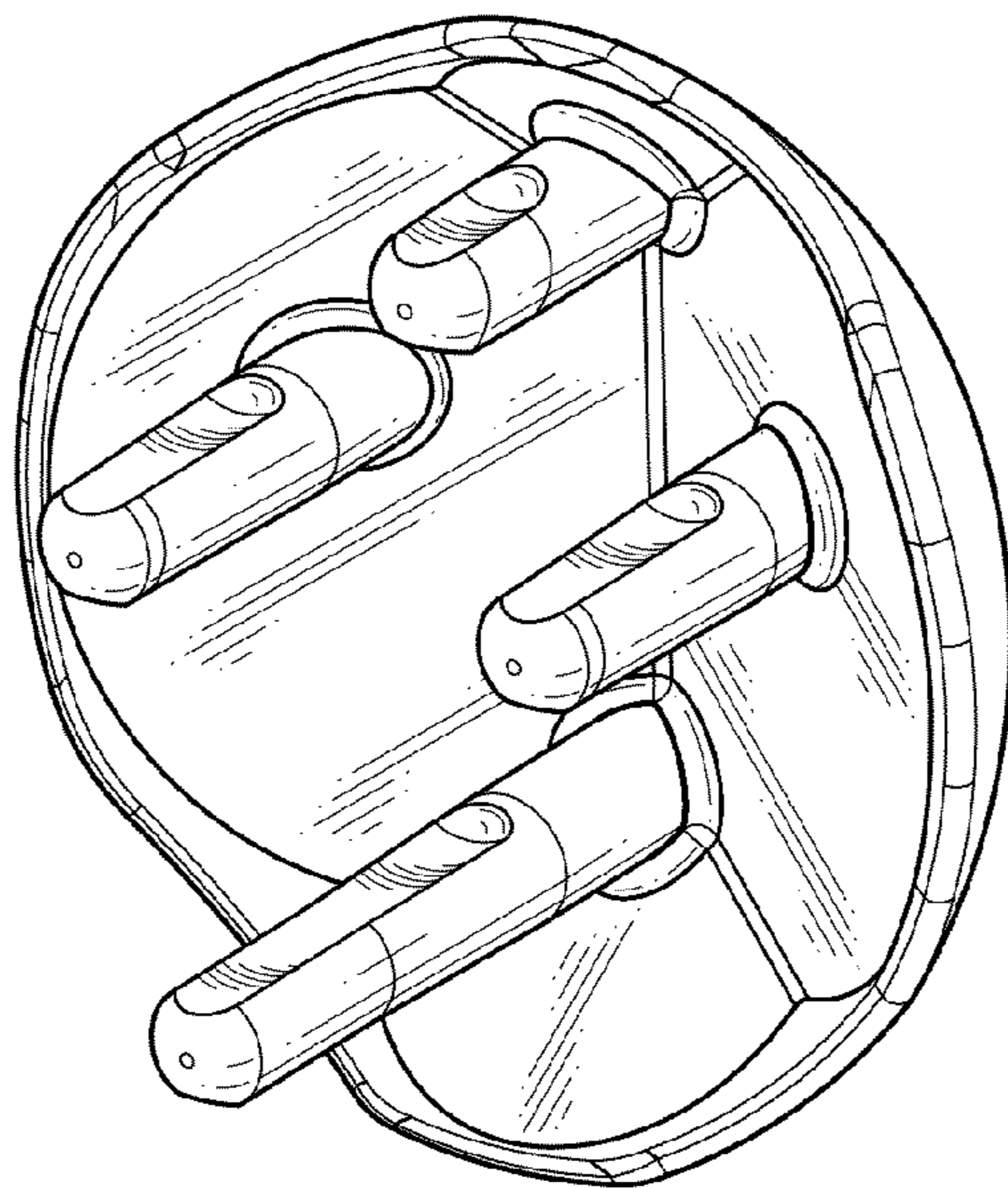


FIG. 2

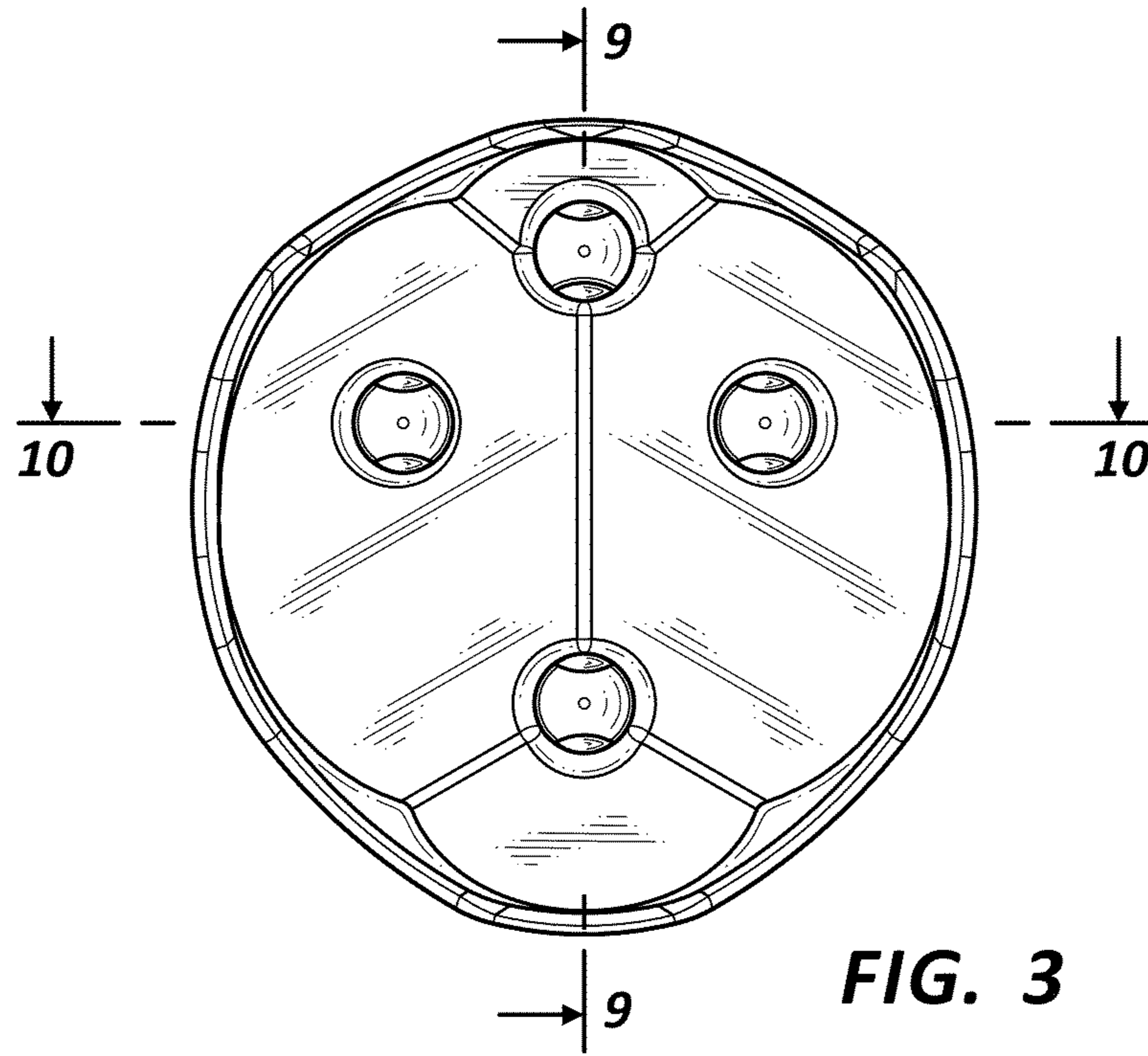


FIG. 3

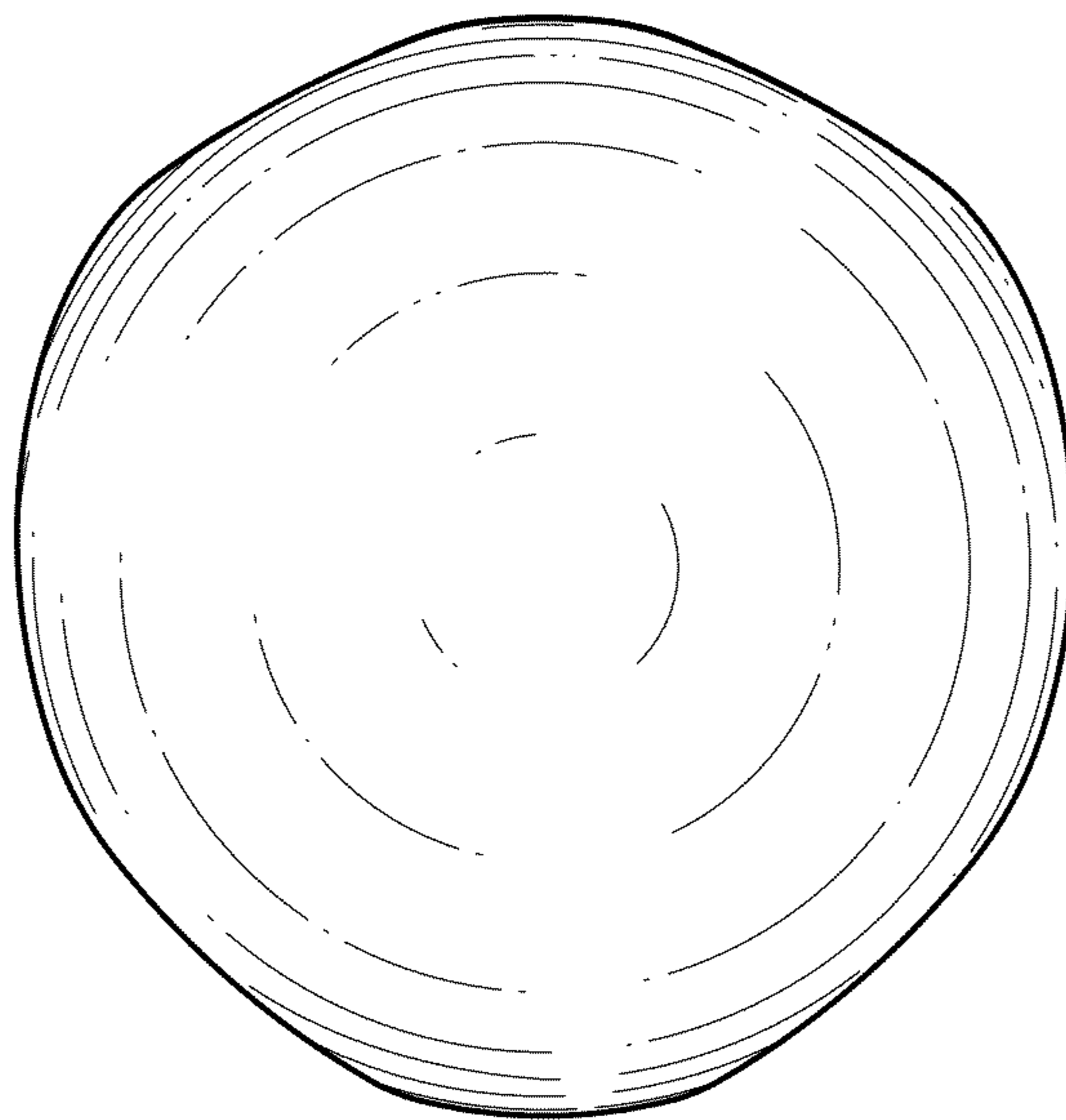


FIG. 4

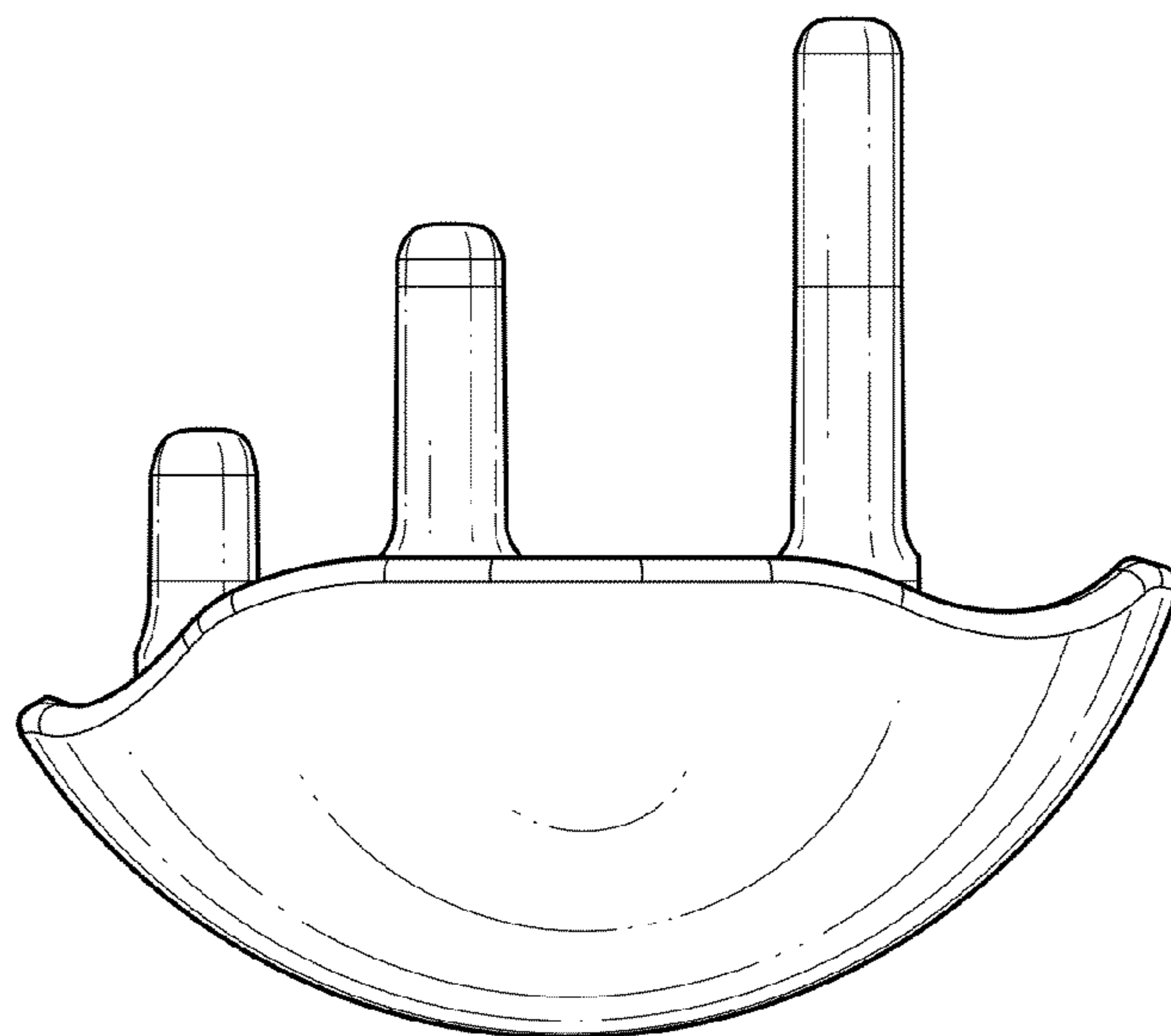


FIG. 5

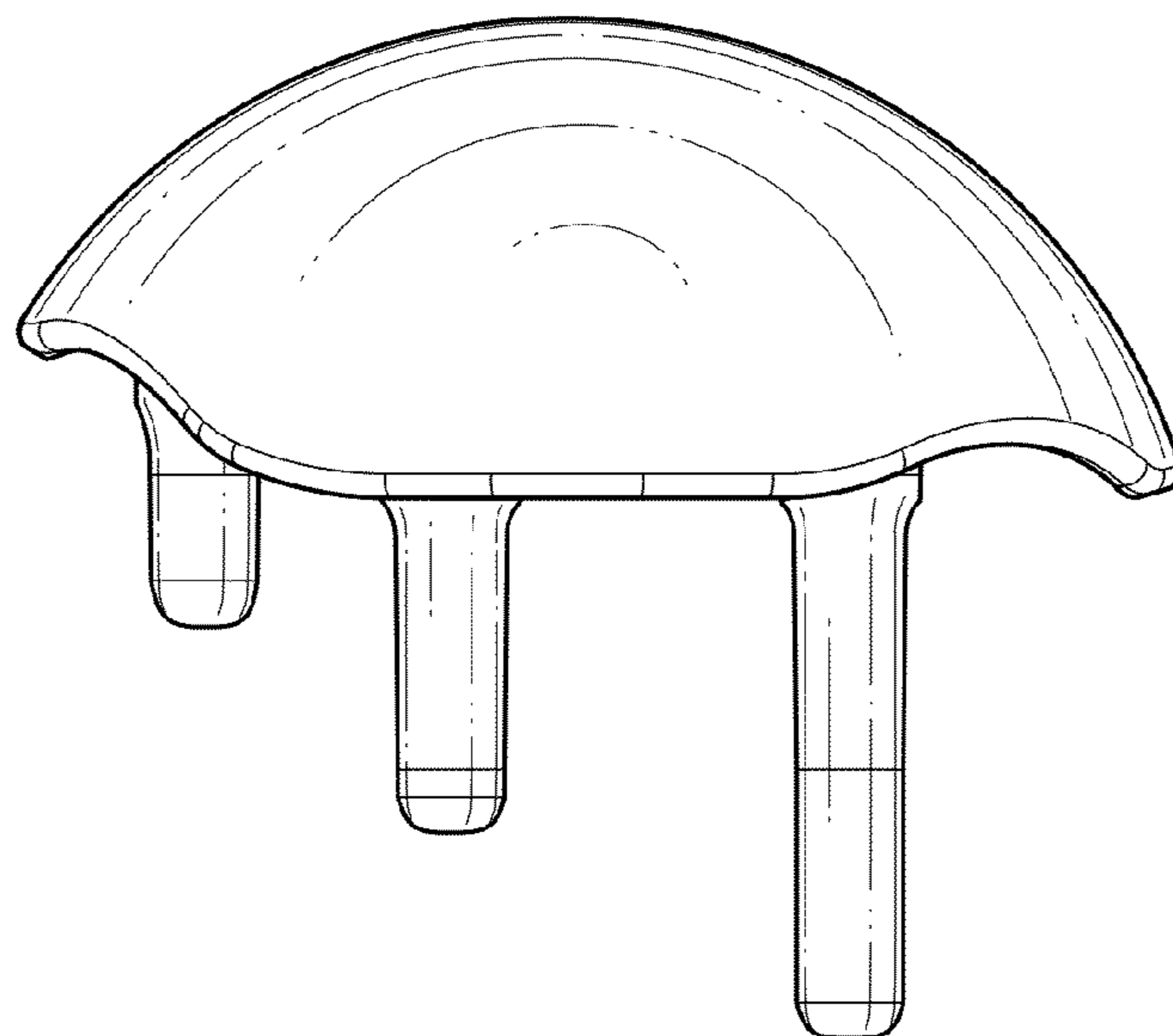


FIG. 6

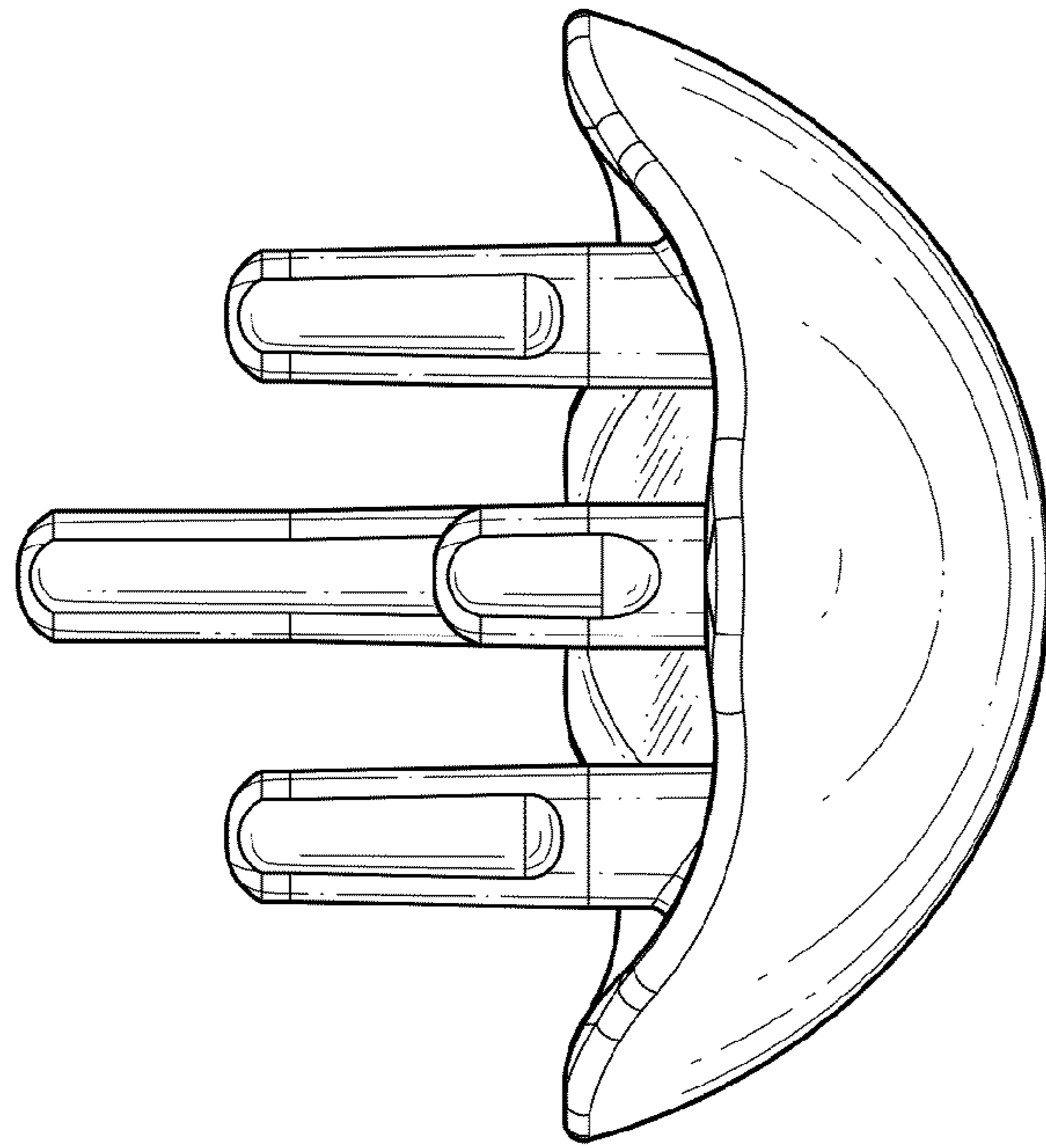


FIG. 7

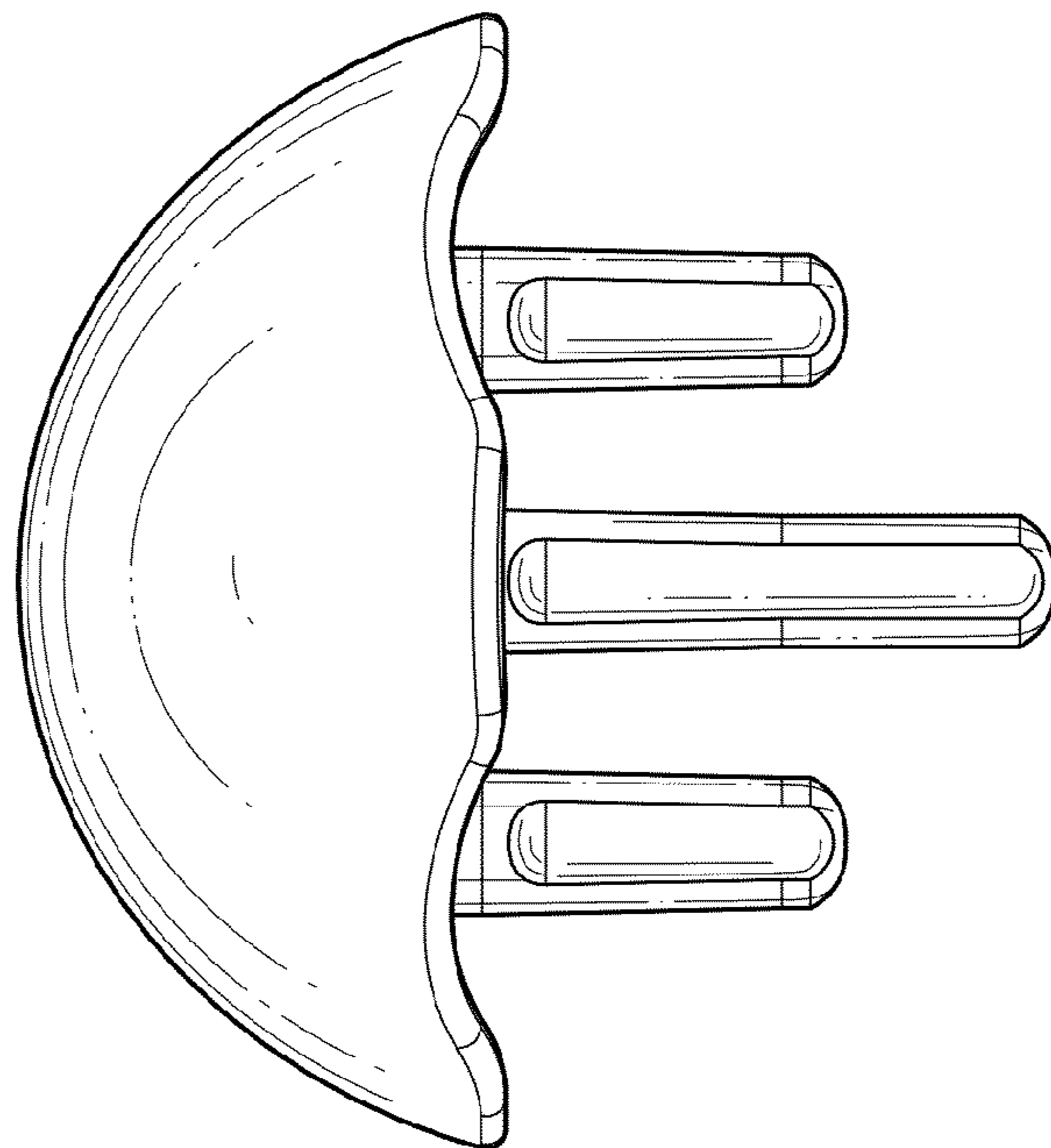


FIG. 8

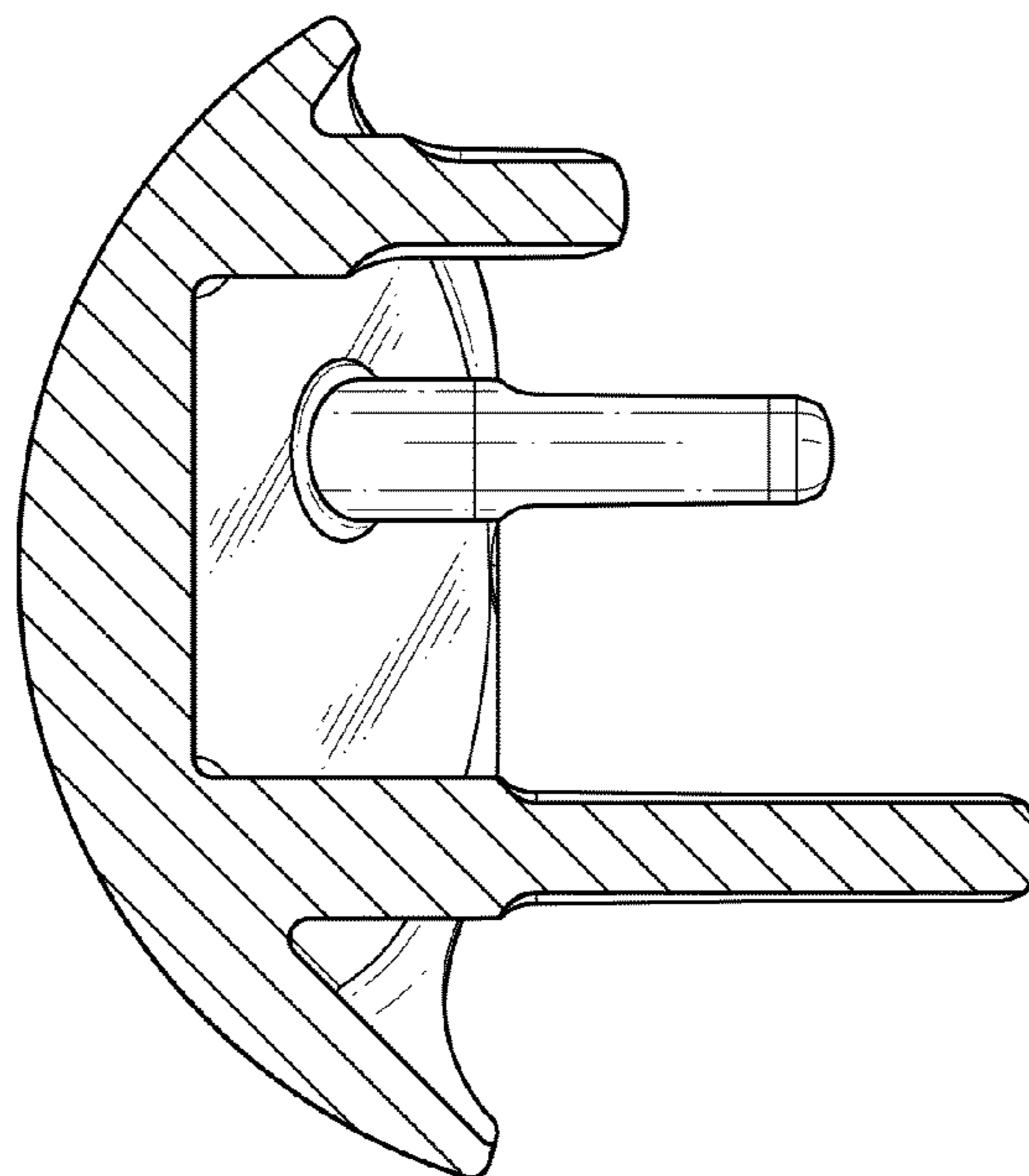


FIG. 9

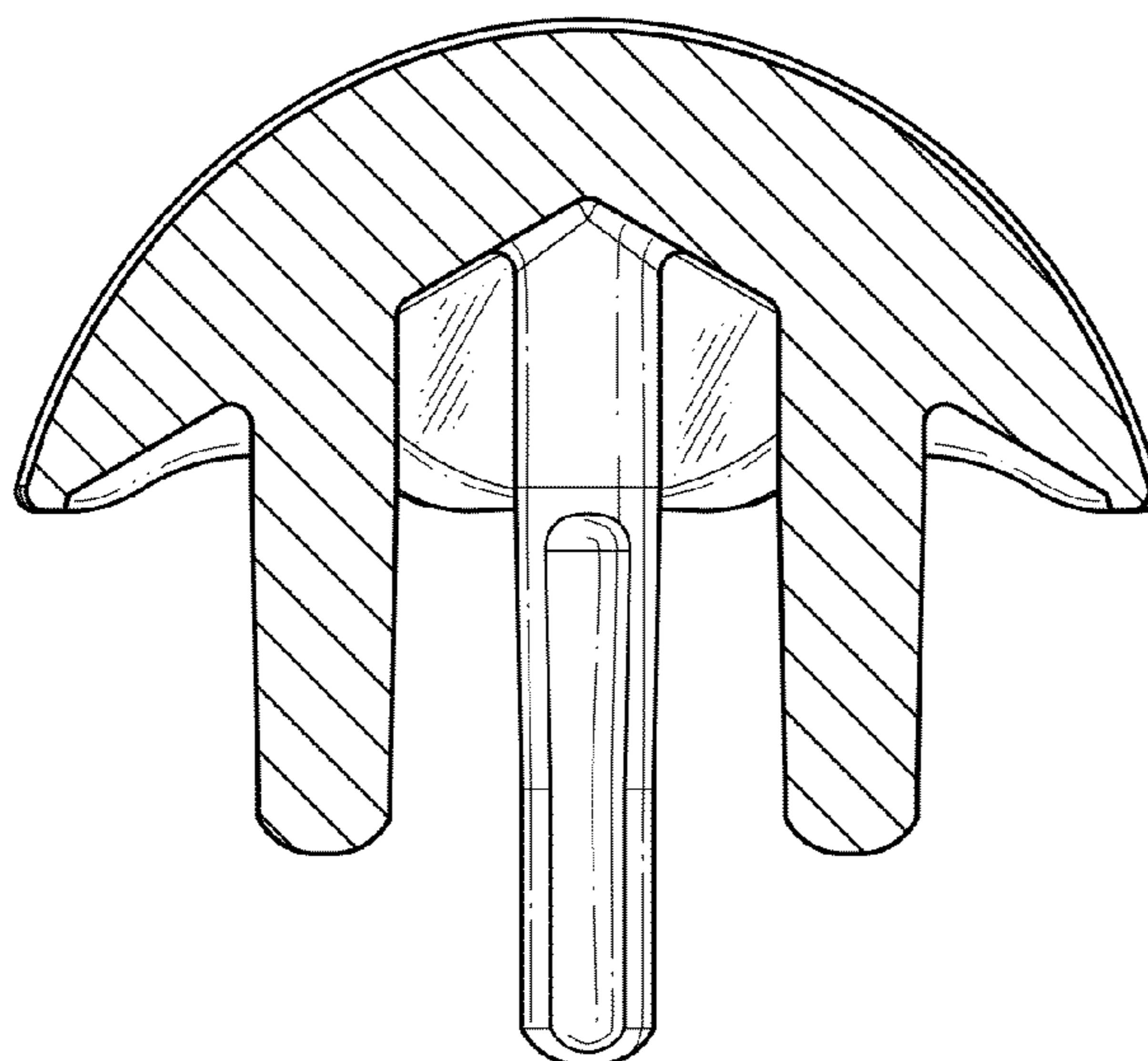


FIG. 10