



US00D735337S

(12) **United States Design Patent**
Ishiwata

(10) **Patent No.:** **US D735,337 S**
(45) **Date of Patent:** **** Jul. 28, 2015**

(54) **INTERBODY IMPLANT**

(71) Applicant: **NANTOH CO., LTD.**, Numazu-shi,
Shizouka-ken (JP)

(72) Inventor: **Teruo Ishiwata**, Numazu (JP)

(73) Assignee: **NANTOH CO., LTD.**, Numazu-Shi,
Shizuoka-Ken (JP)

(**) Term: **14 Years**

(21) Appl. No.: **29/438,098**

(22) Filed: **Nov. 26, 2012**

(30) **Foreign Application Priority Data**

May 25, 2012 (JP) 2012-012307
May 25, 2012 (JP) 2012-012308
May 25, 2012 (JP) 2012-012309

(51) **LOC (10) Cl.** **24-02**

(52) **U.S. Cl.**
USPC **D24/156**

(58) **Field of Classification Search**
USPC D24/155-156, 176; D8/387; D15/21,
D15/28; 433/172-174; 623/17.16, 17.17,
623/11.11, 23.26, 23.27; 606/304, 74
See application file for complete search history.

(56) **References Cited**

U.S. PATENT DOCUMENTS

5,368,160 A * 11/1994 Leuschen et al. 206/339
5,558,230 A * 9/1996 Fischer et al. 206/570
D446,859 S * 8/2001 Hurson D24/156
D556,907 S * 12/2007 Rassoli D24/156
D562,454 S * 2/2008 Rassoli D24/156
D587,371 S * 2/2009 Purga et al. D24/156
D587,373 S * 2/2009 Purga et al. D24/156
D616,548 S * 5/2010 Fares et al. D24/156
7,921,991 B2 * 4/2011 Sato et al. 206/63.5
8,083,054 B2 * 12/2011 Nihei et al. 206/63.5

D659,829 S * 5/2012 Nihei et al. D24/156
8,292,075 B2 * 10/2012 Liao et al. 206/438
2004/0112781 A1 * 6/2004 Hofverberg et al. 206/438

(Continued)

Primary Examiner — Ian Simmons

Assistant Examiner — Charles Hanson

(74) *Attorney, Agent, or Firm* — Plumsea Law Group, LLC

(57) **CLAIM**

The ornamental design for an interbody implant, as shown and described.

DESCRIPTION

FIG. 1 is a perspective view of an interbody implant showing my new design;

FIG. 2 is a front elevation view thereof.

FIG. 3 is a rear elevation view thereof.

FIG. 4 is a left side elevation view thereof.

FIG. 5 is a right side elevation view thereof.

FIG. 6 is a top plan view thereof.

FIG. 7 is a bottom plan view thereof.

FIG. 8 is an enlarged cross-sectional view taken along the line 8-8 in FIG. 2.

FIG. 9 is a cross-sectional view taken along the line 9-9 in FIG. 6.

FIG. 10 is a perspective view of an abutment of the interbody implant.

FIG. 11 is a front elevation view thereof.

FIG. 12 is a left side elevation view thereof.

FIG. 13 is a right side elevation view thereof.

FIG. 14 is a bottom plan view thereof.

FIG. 15 is a perspective view of a fixture of the interbody implant.

FIG. 16 is a front elevation view thereof.

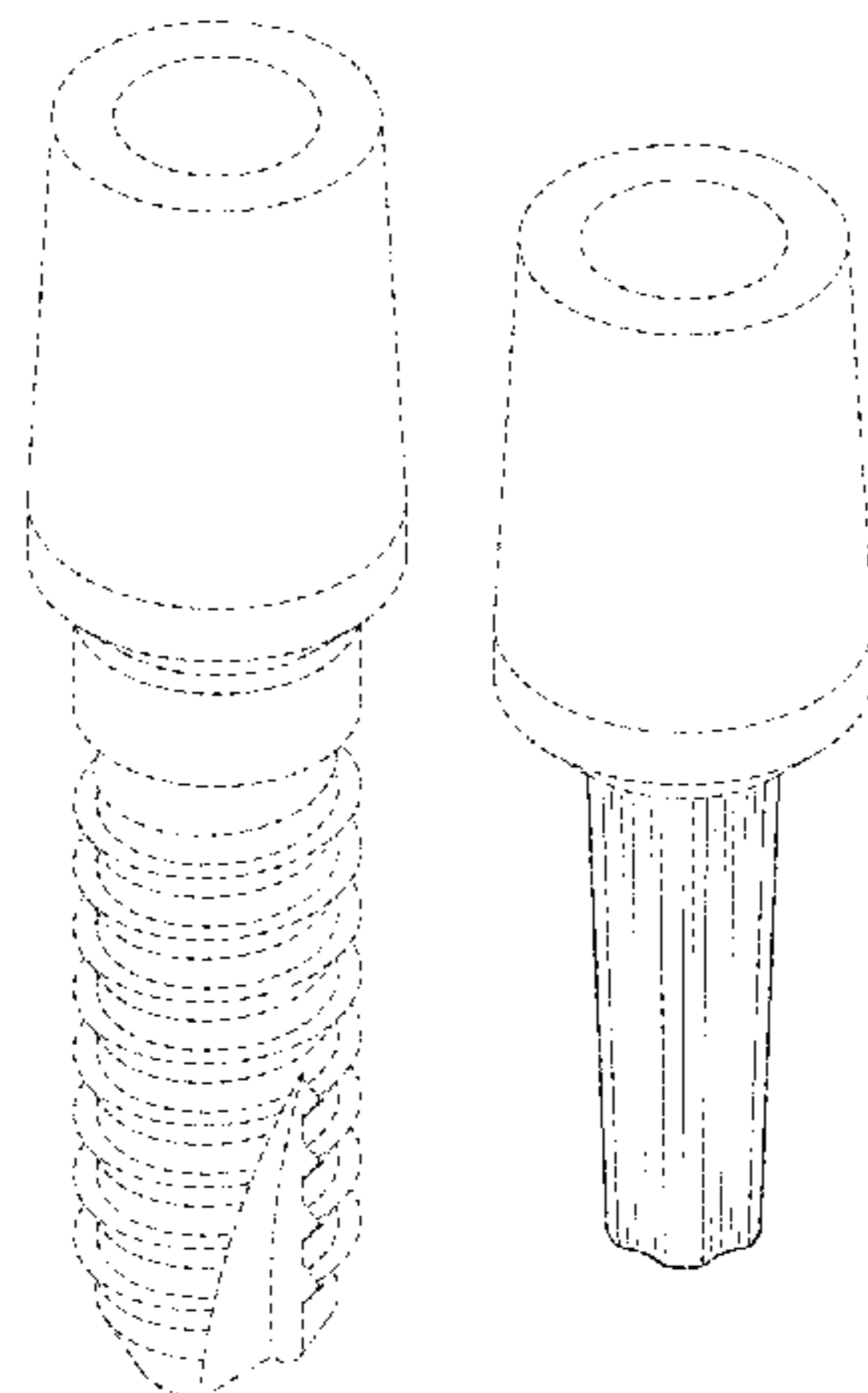
FIG. 17 is a top plan view thereof.

FIG. 18 is a cross-sectional view taken along line 18-18 in FIG. 17; and,

FIG. 19 is a cross-sectional view taken along the line 19-19 in FIG. 17.

The portion of the interbody implant shown in broken lines is for the purpose of showing environmental structure only and forms no part of the claimed design.

1 Claim, 19 Drawing Sheets



(56)

References Cited

U.S. PATENT DOCUMENTS

2007/0295620	A1 *	12/2007	Collet et al.	206/63.5			
2008/0261177	A1 *	10/2008	Ford et al.	433/174			
2010/0227294	A1 *				9/2010	Takagi et al.	433/174
2010/0236947	A1 *				9/2010	Liao et al.	206/63.5
2010/0243485	A1 *				9/2010	Sato et al.	206/63.5

* cited by examiner

FIG. 1

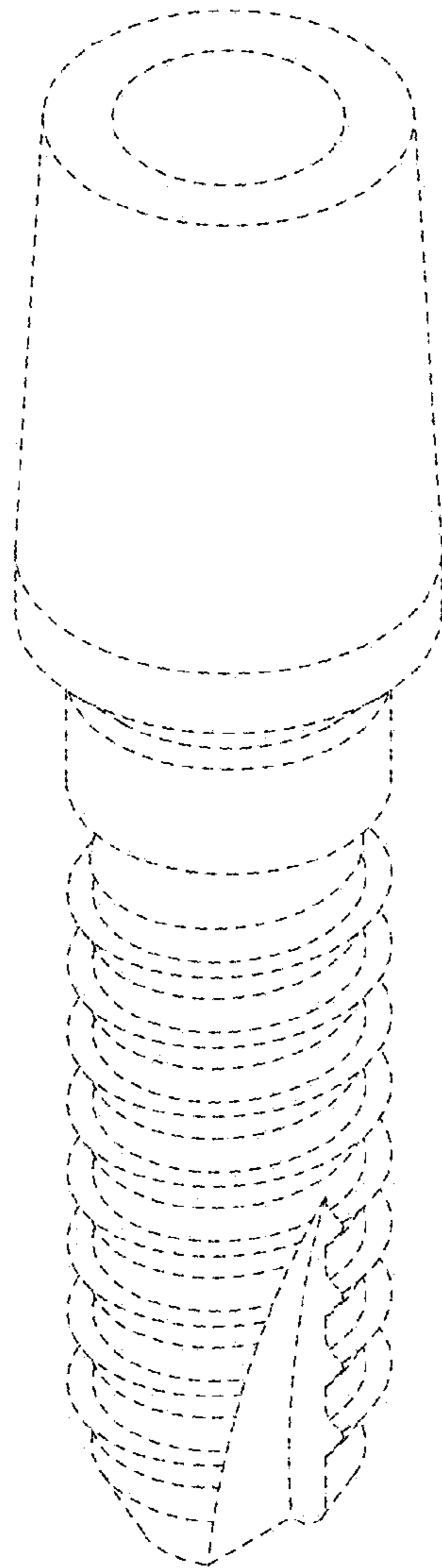


FIG. 2

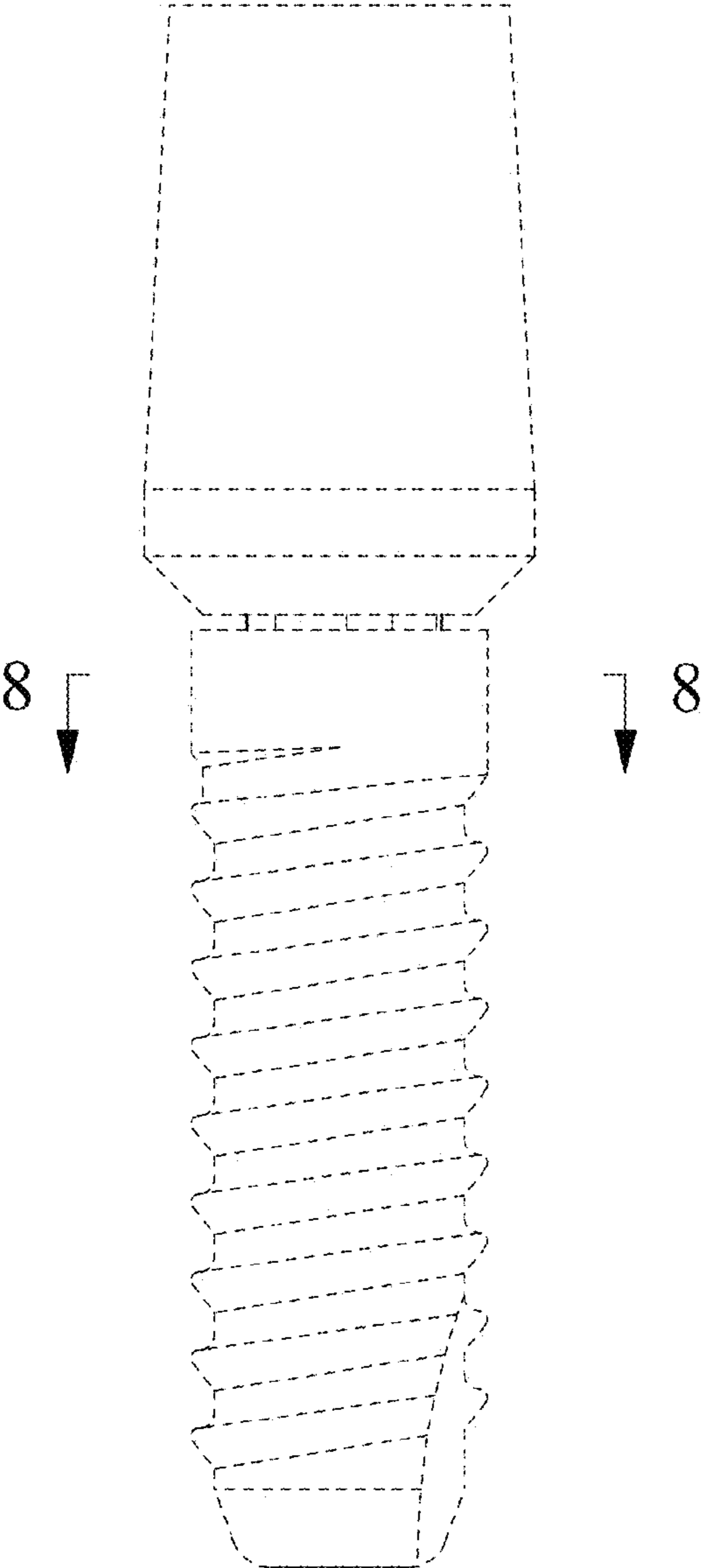


FIG. 3

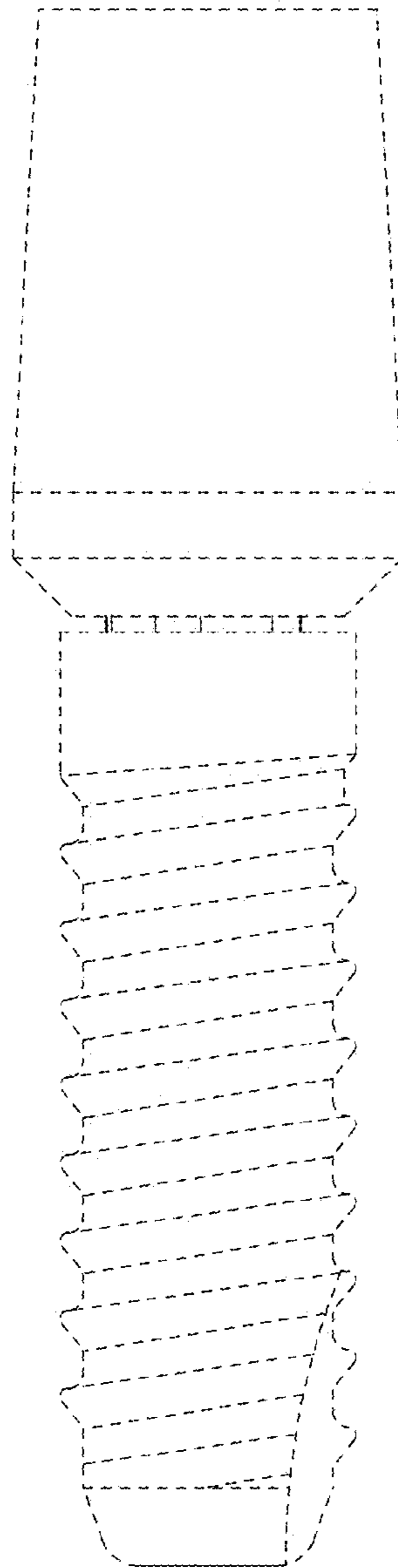


FIG. 4

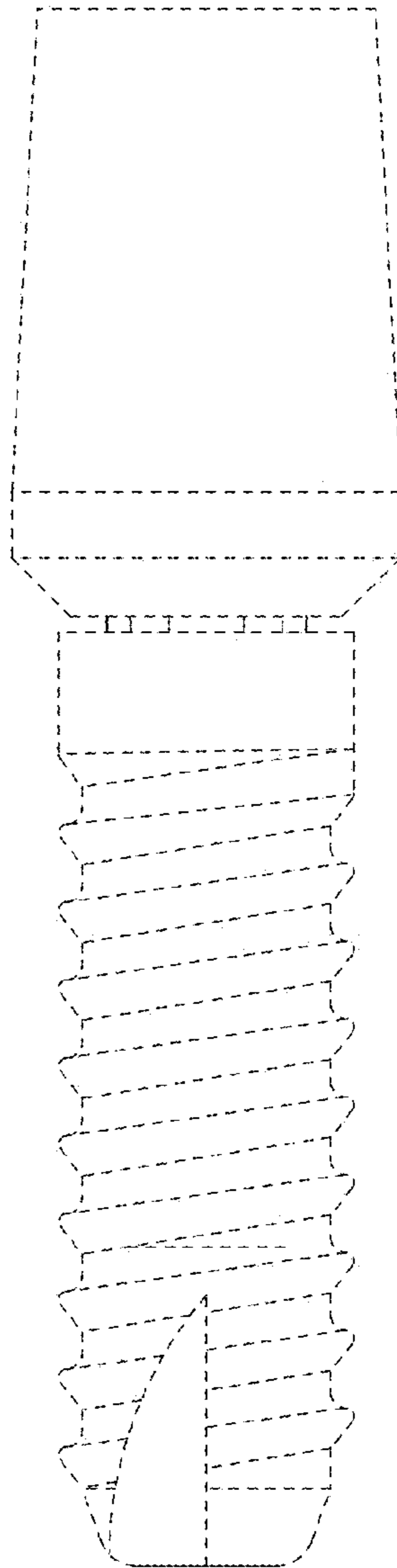


FIG. 5

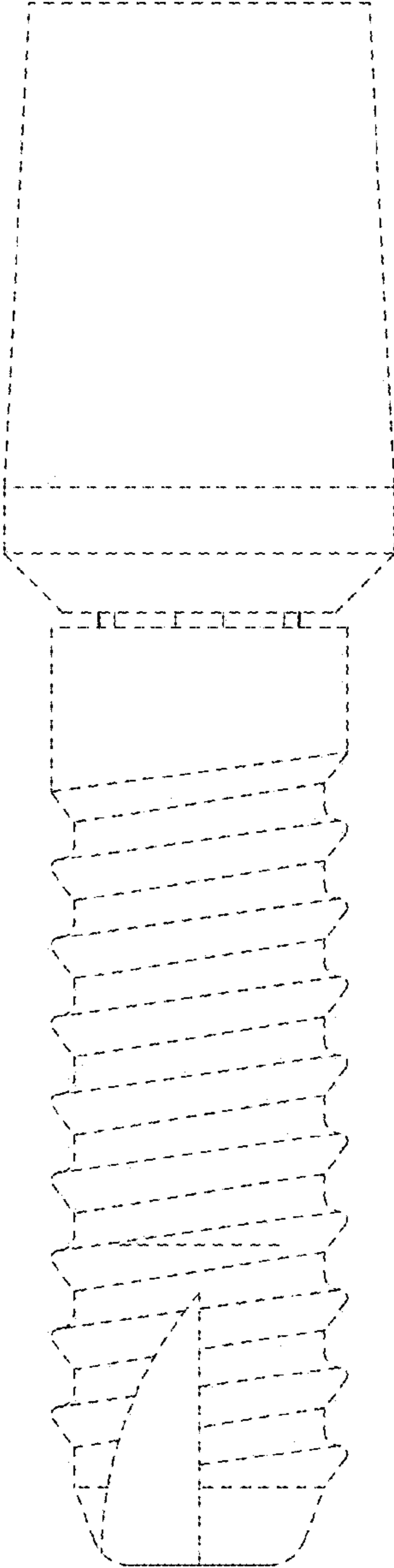


FIG. 6

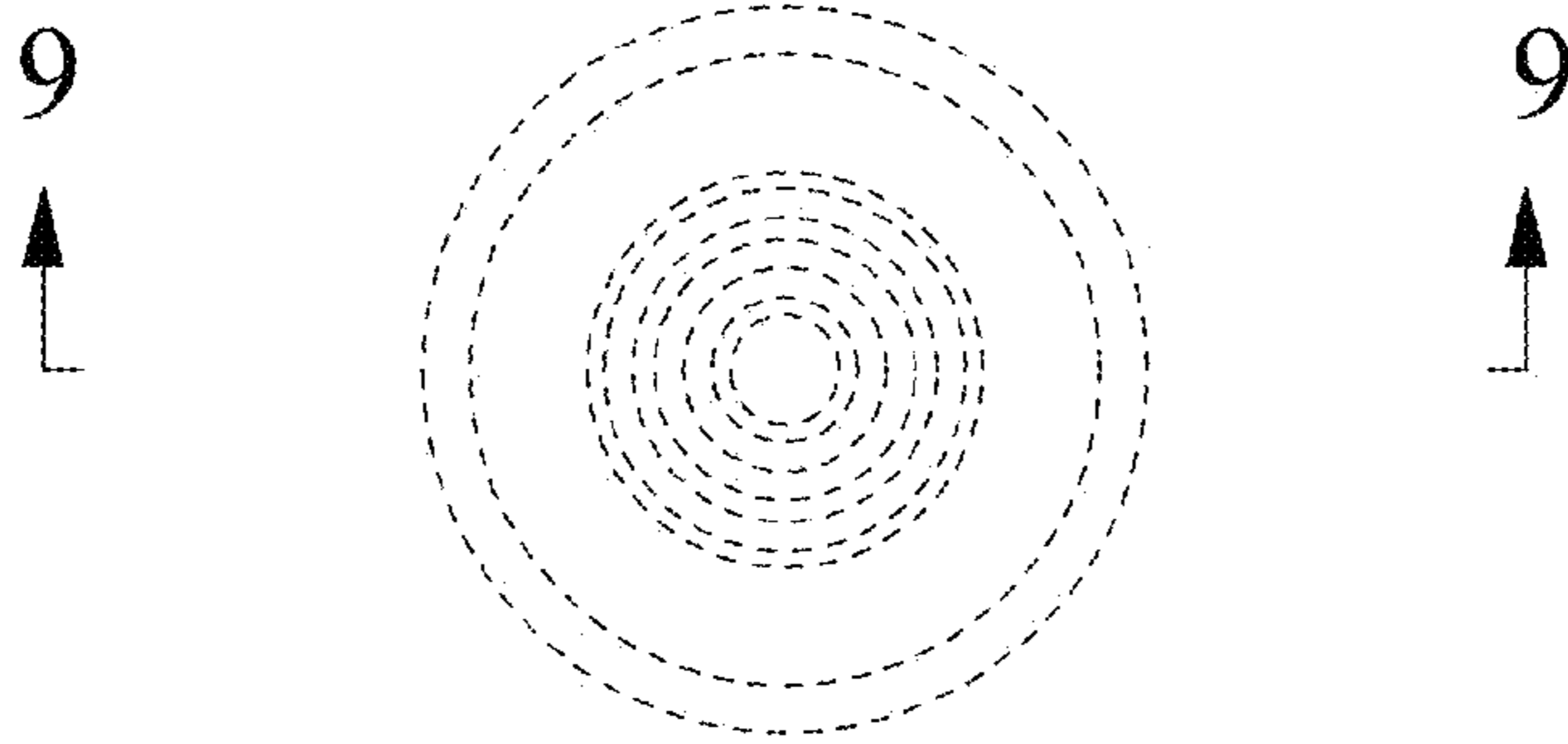


FIG. 7

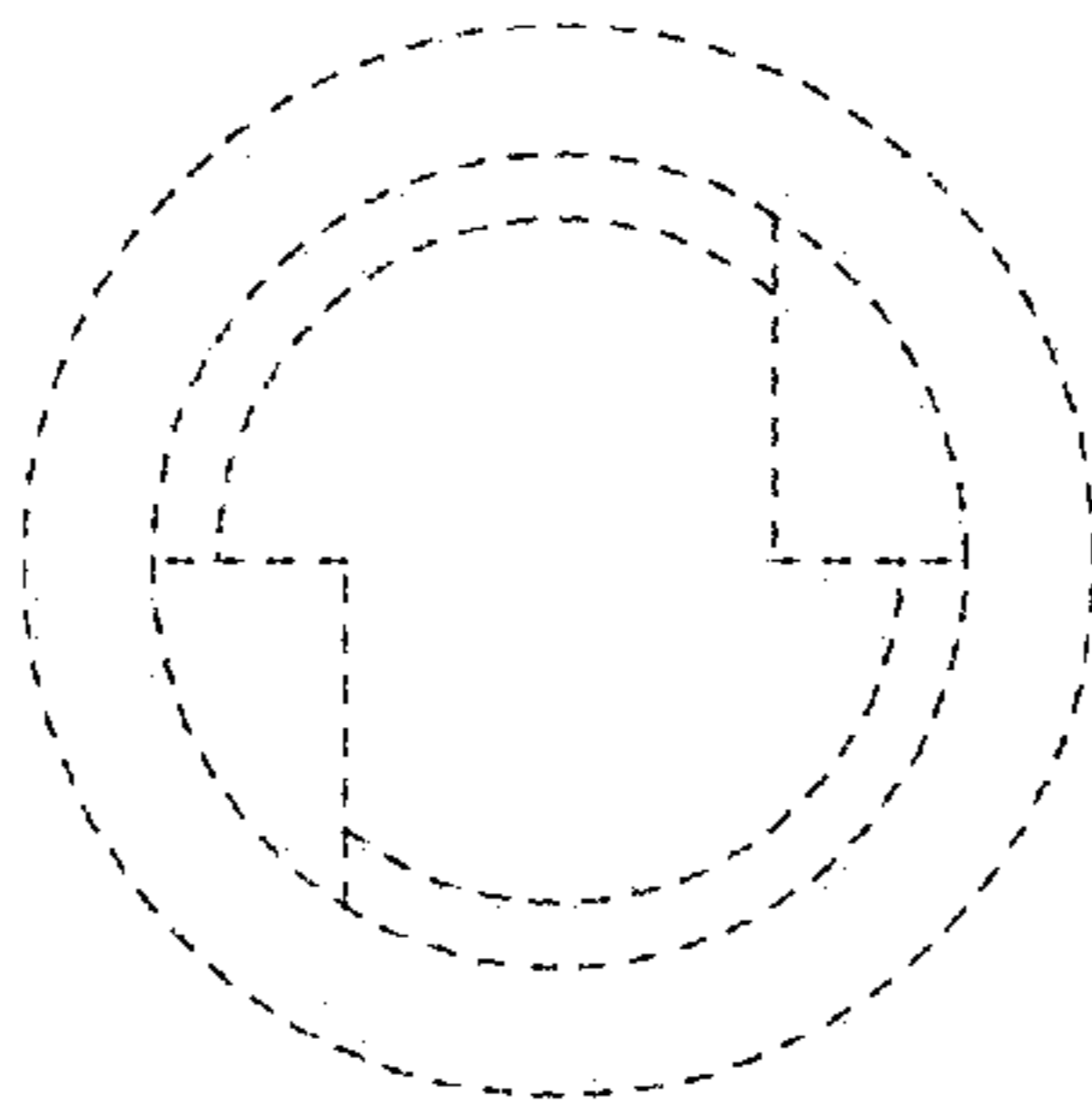


FIG. 8

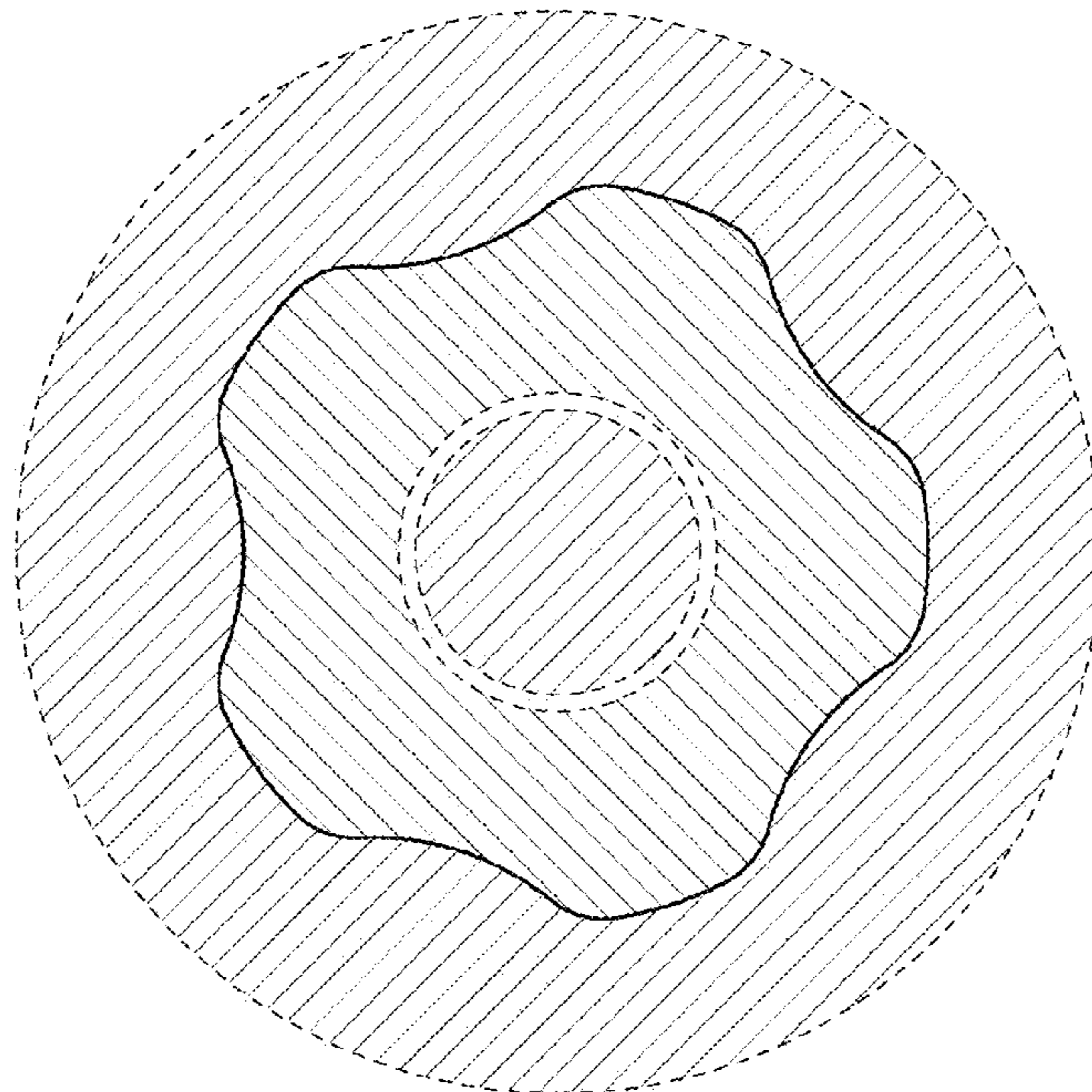


FIG. 9

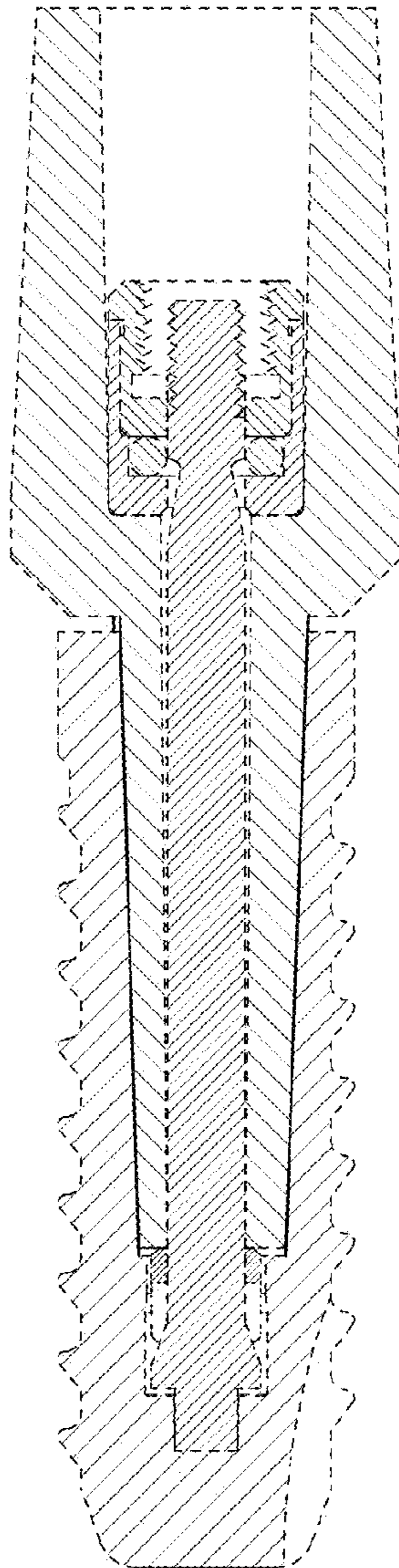


FIG. 10

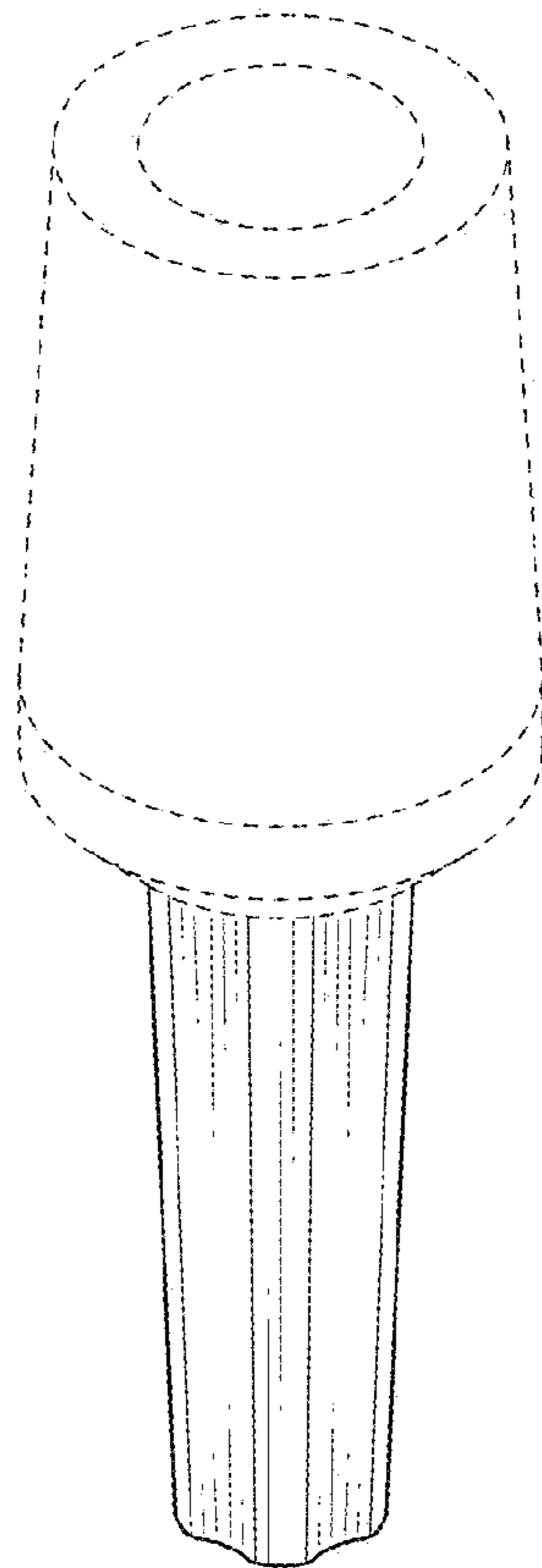


FIG. 11

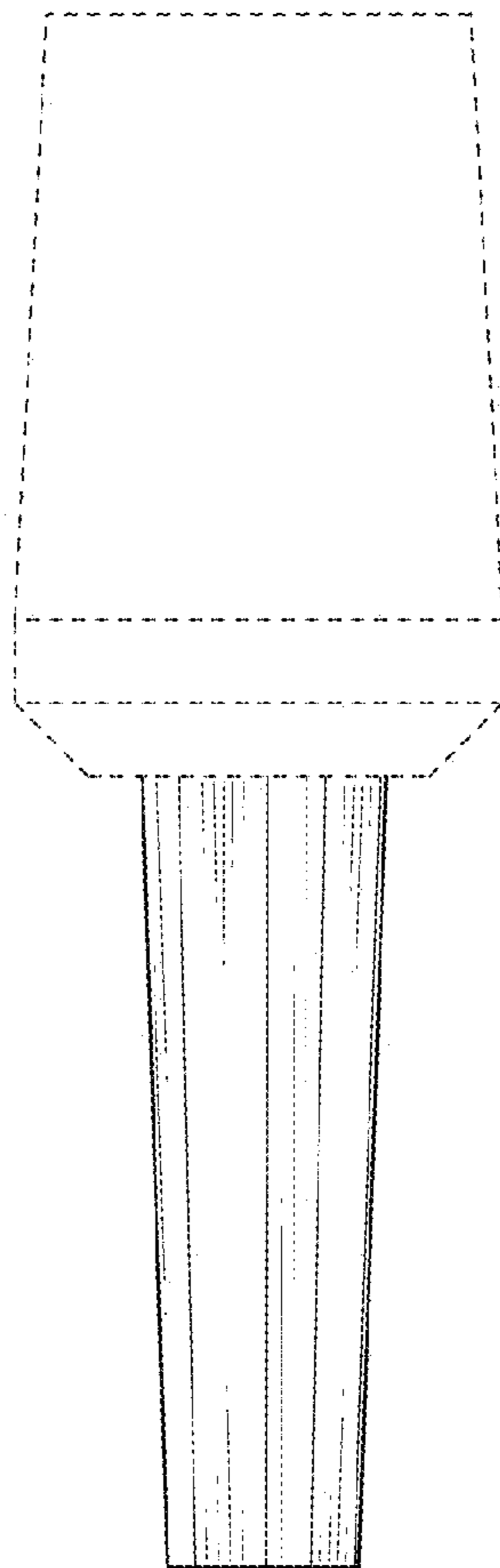


FIG. 12

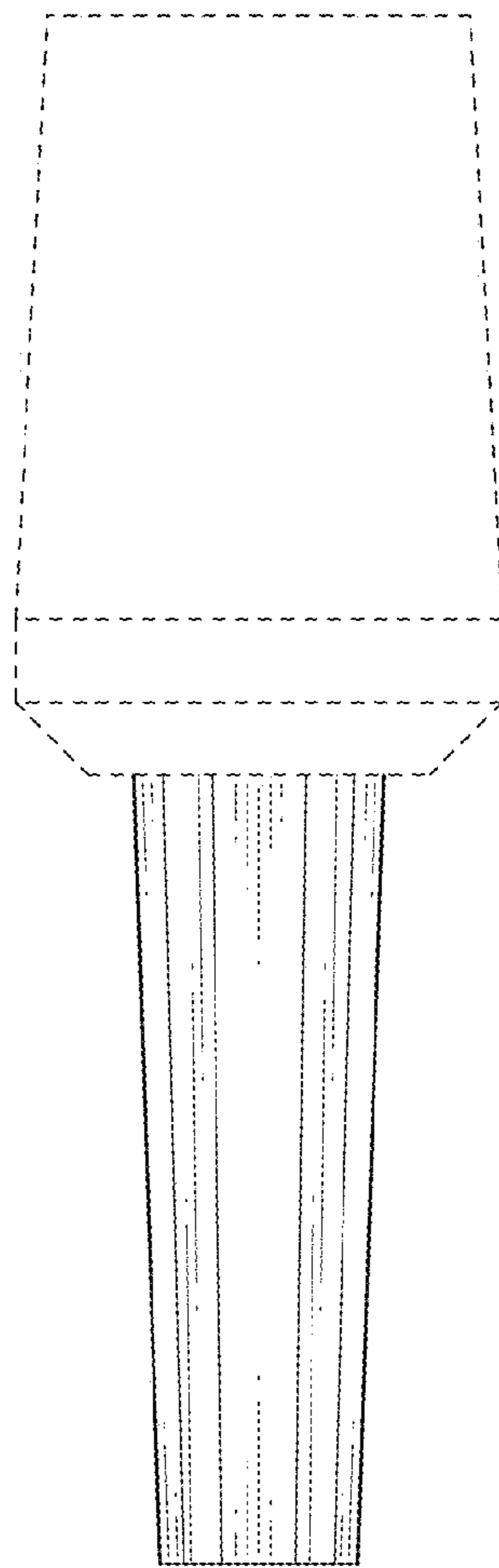


FIG. 13

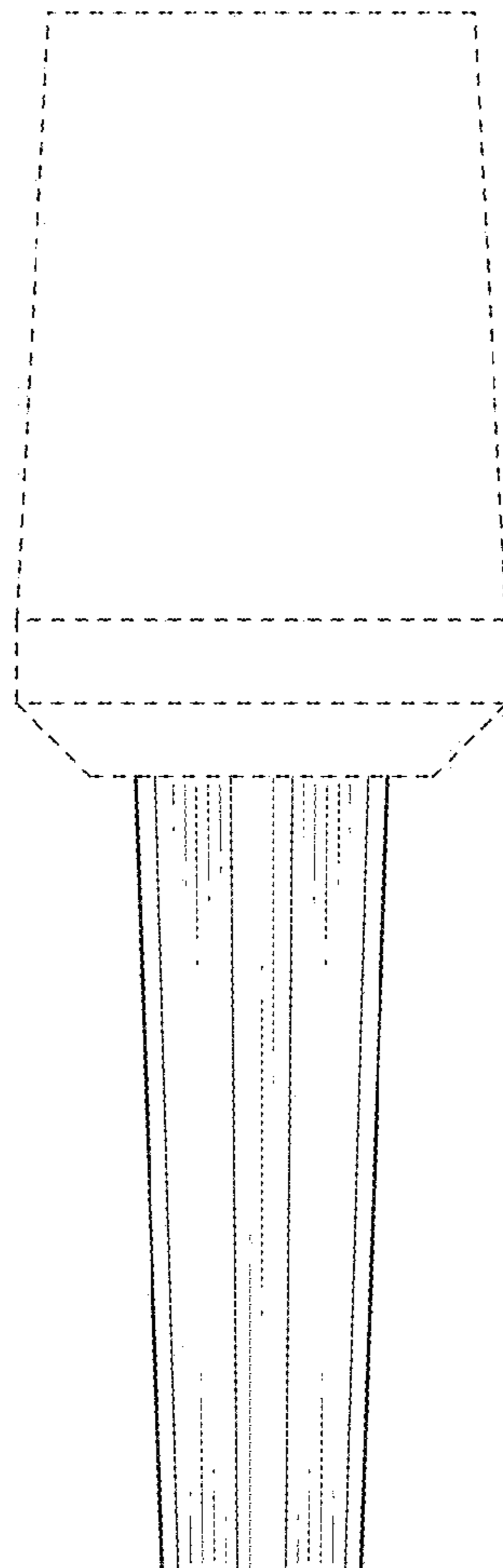


FIG. 14

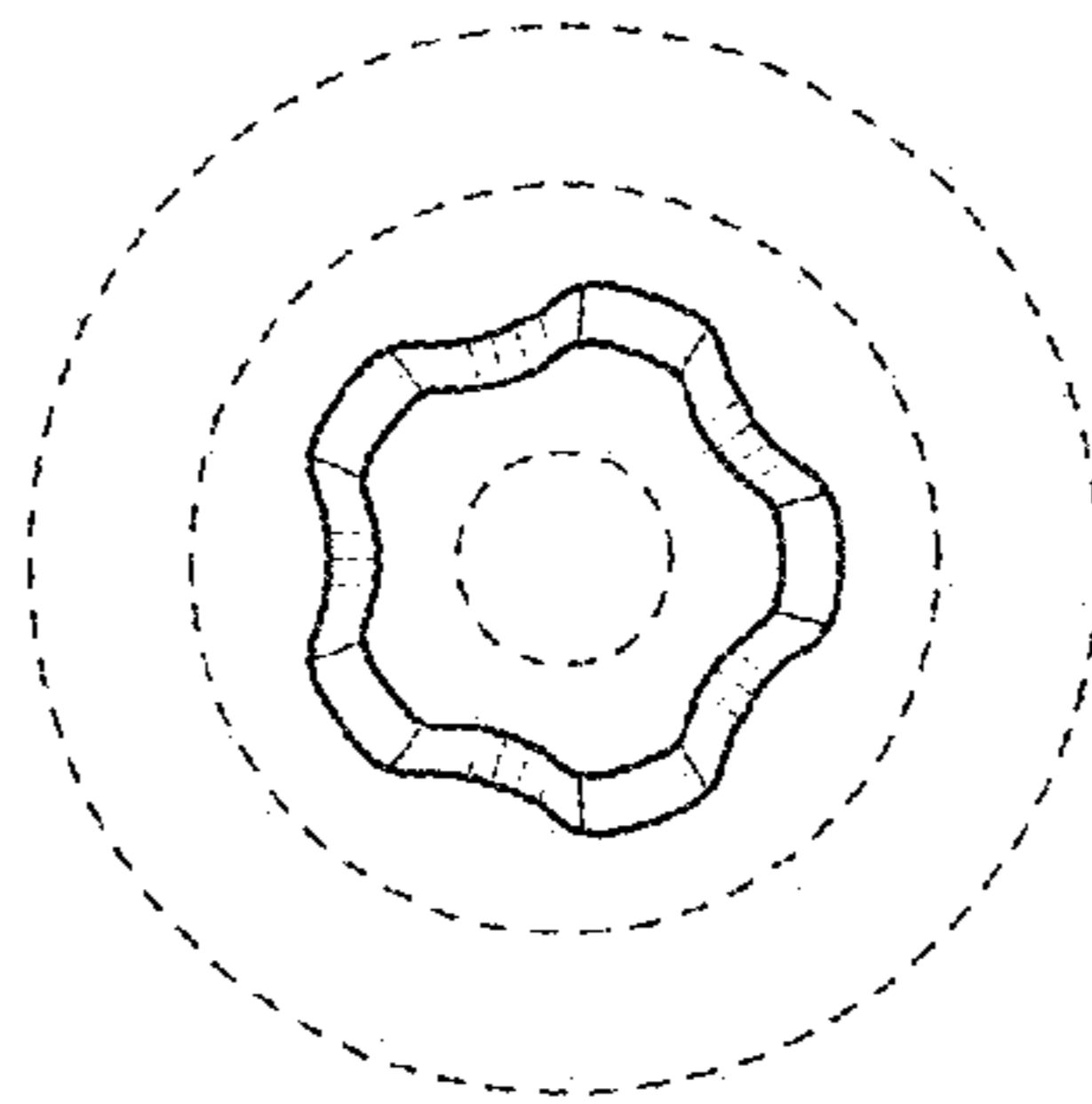


FIG. 15

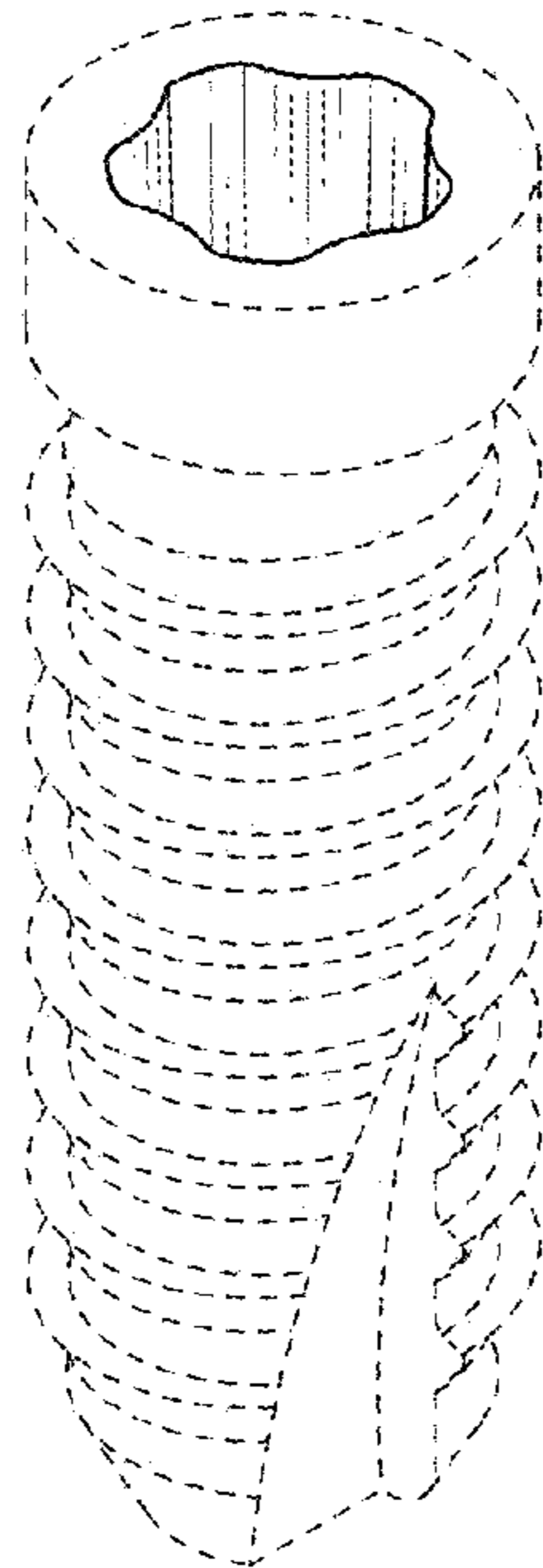


FIG. 16

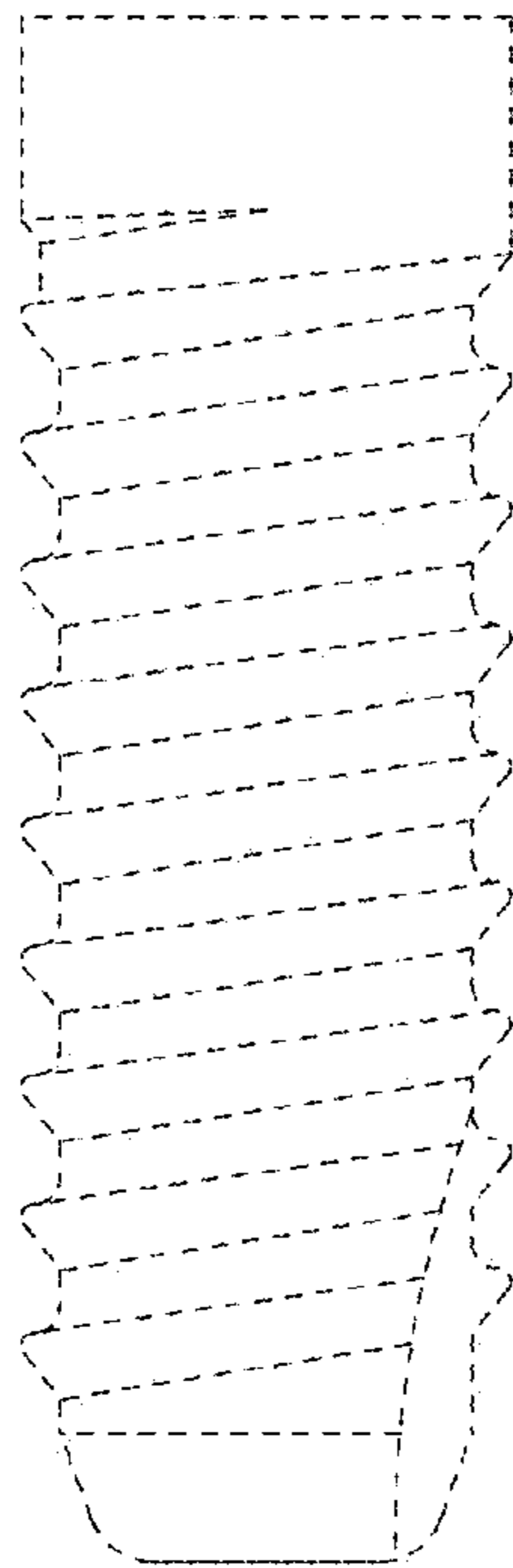


FIG. 17

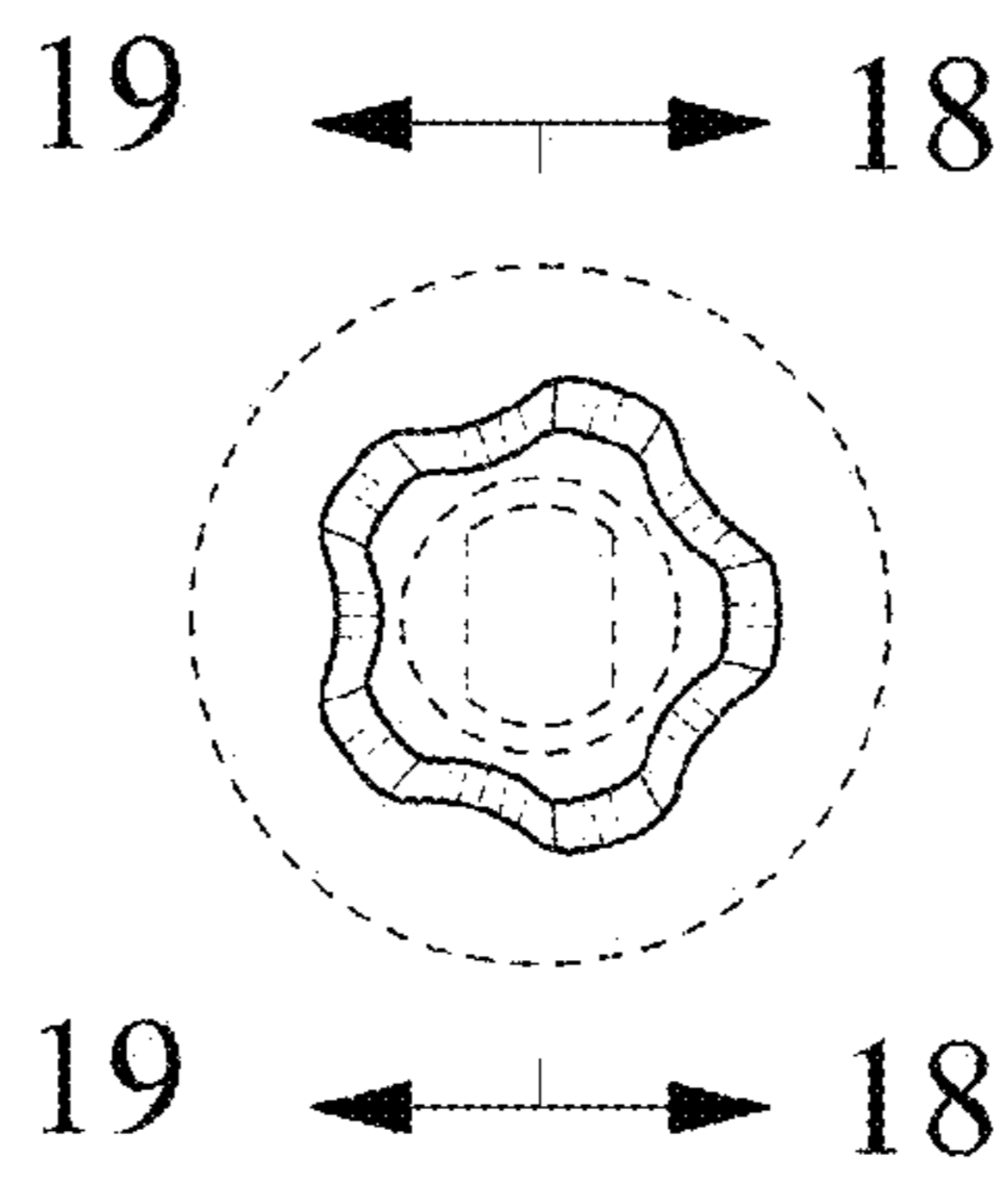


FIG. 18

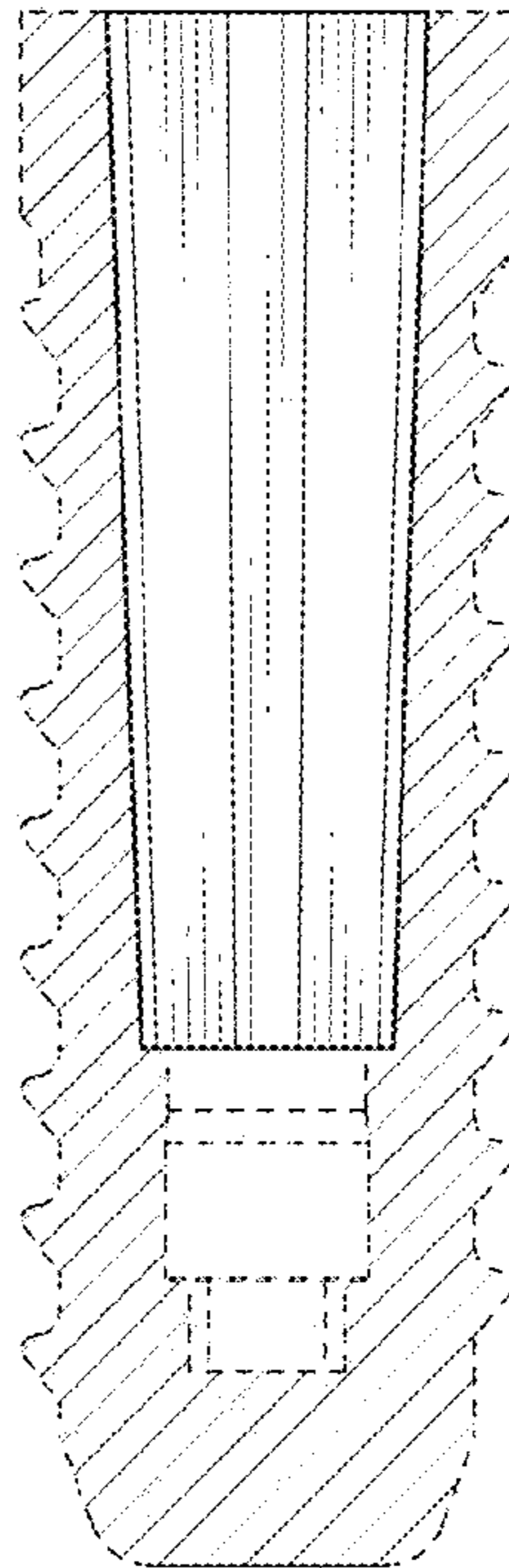


FIG. 19

