



US00D735335S

(12) **United States Design Patent**
Persson

(10) **Patent No.:** **US D735,335 S**

(45) **Date of Patent:** **** *Jul. 28, 2015**

(54) **VOICE PROSTHESIS**

(75) Inventor: **Jan-Ove Persson**, Hoor (SE)

(73) Assignee: **Atos Medical AB** (SE)

(*) Notice: This patent is subject to a terminal disclaimer.

(**) Term: **14 Years**

(21) Appl. No.: **29/220,807**

(22) Filed: **Jan. 7, 2005**

(51) **LOC (10) Cl.** **24-02**

(52) **U.S. Cl.**
USPC **D24/155**

(58) **Field of Classification Search**
USPC D24/180-181, 175, 155, 156, 107;
433/37-43, 76, 173, 29, 32; D26/38,
D26/46; 607/36; 362/804, 171, 183, 200;
D10/64, 74, 70; D9/423; 623/9
See application file for complete search history.

(56) **References Cited**

U.S. PATENT DOCUMENTS

D324,913	S	*	3/1992	Chojar	D24/151
D335,349	S	*	5/1993	Lyon et al.	D24/151
5,480,432	A	*	1/1996	Suding et al.	623/9
5,578,083	A	*	11/1996	Laguetta et al.	623/9
5,632,775	A	*	5/1997	Suding et al.	623/9
5,693,097	A	*	12/1997	Laguetta et al.	623/9

5,919,231	A	*	7/1999	Blom et al.	623/9
6,776,797	B1	*	8/2004	Blom et al.	623/14.11
6,948,526	B2	*	9/2005	Seder et al.	623/9
2004/0187941	A1	*	9/2004	Seder et al.	137/855

* cited by examiner

Primary Examiner — Ian Simmons

Assistant Examiner — Charles Hanson

(74) *Attorney, Agent, or Firm* — Fishman Stewart Yamaguchi PLLC

(57) **CLAIM**

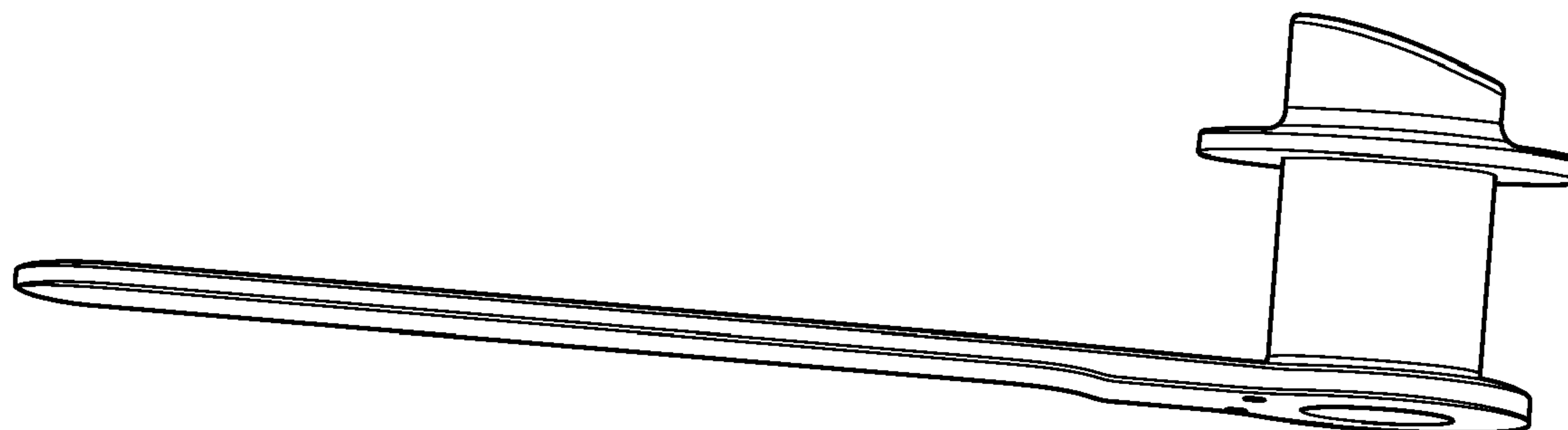
The ornamental design for a voice prosthesis, as shown.

DESCRIPTION

FIG. 1 is a side view of the voice prosthesis;
FIG. 2 is a side view from the other side of the voice prosthesis;
FIG. 3 is a rear perspective view of the voice prosthesis as seen from above;
FIG. 4 is a front perspective view of the voice prosthesis as seen from below;
FIG. 5 is a side perspective view of the voice prosthesis as seen from the one side thereof;
FIG. 6 is a rear perspective view of the voice prosthesis as seen from below; and,
FIG. 7 is a top perspective view of the voice prosthesis as seen from above.

The broken line showing in FIG. 4 is included for the purpose of illustrating environment and forms no part of the claimed design.

1 Claim, 7 Drawing Sheets



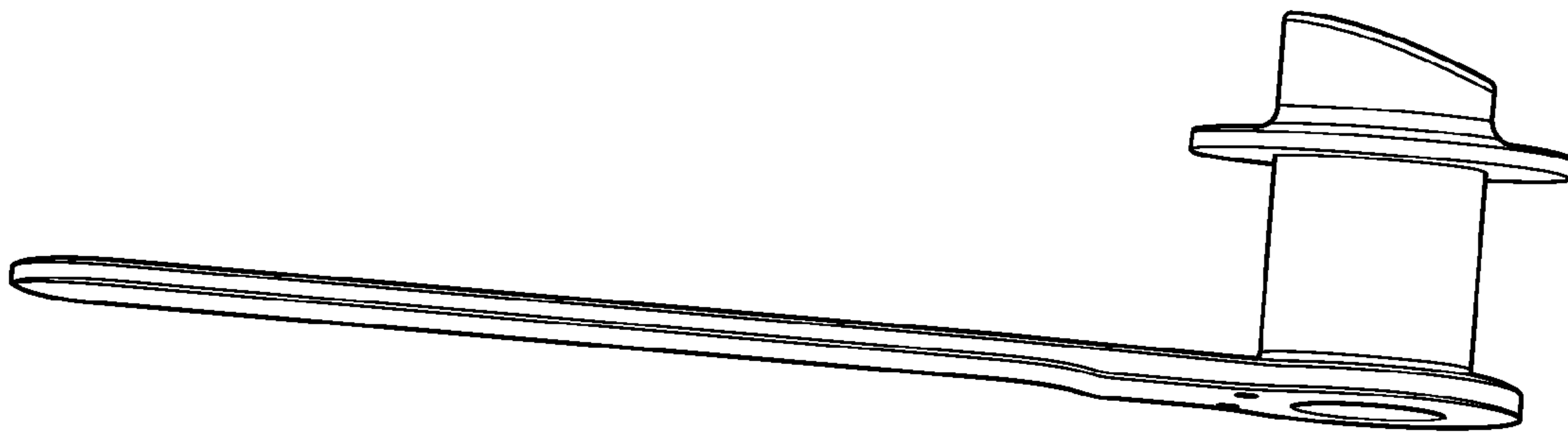


FIG. 1



FIG. 2

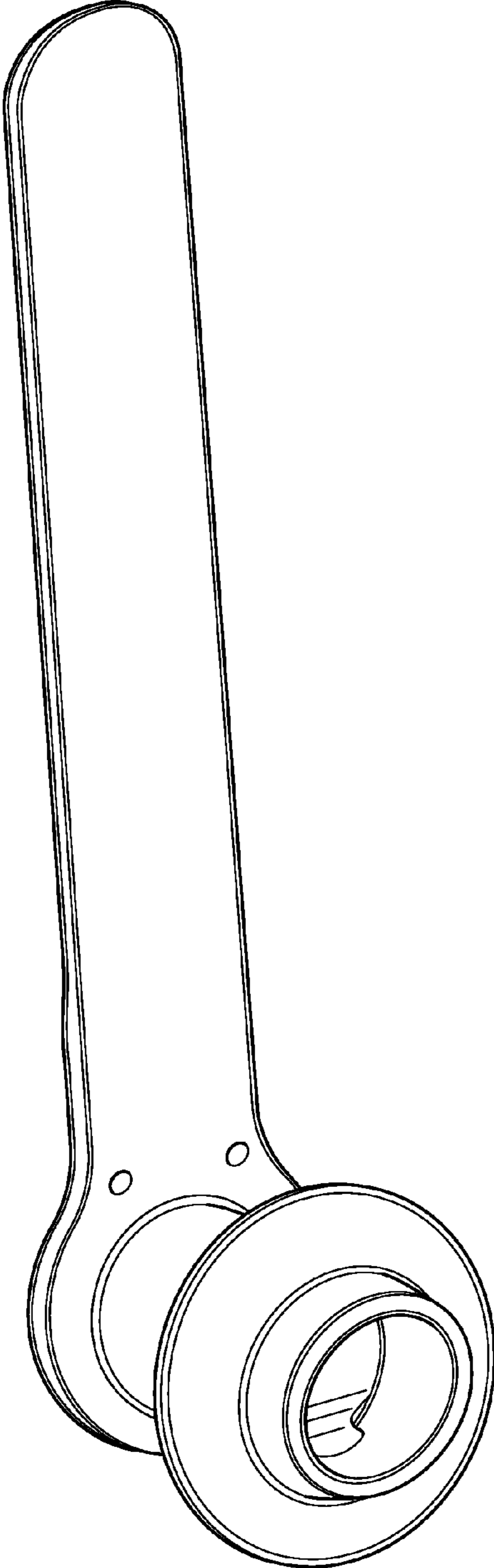


FIG. 3

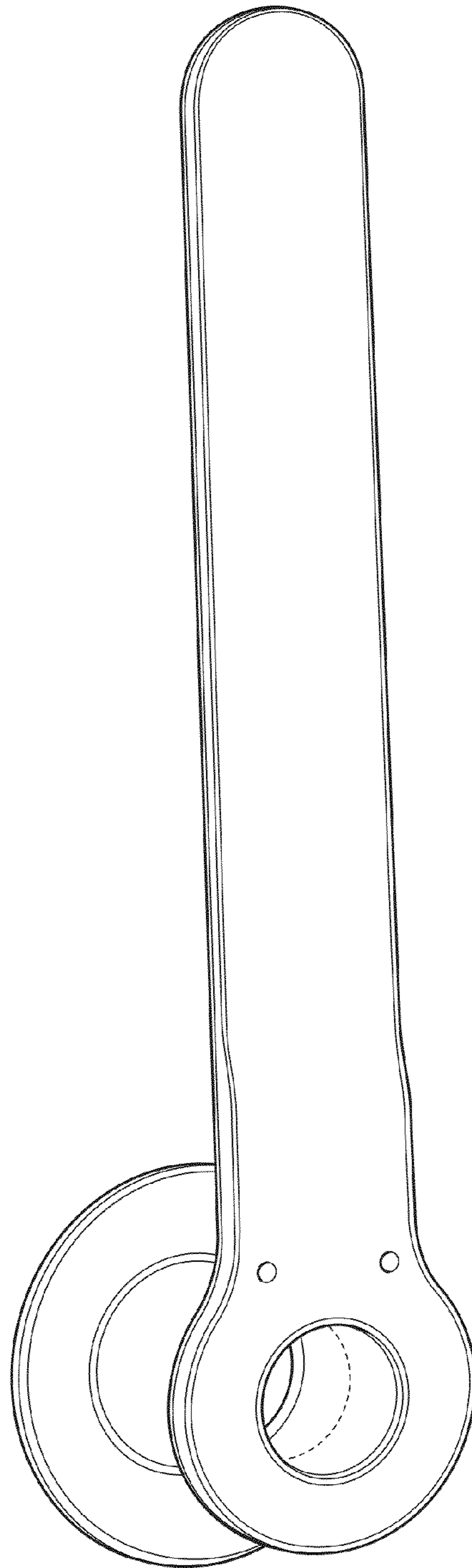


FIG. 4

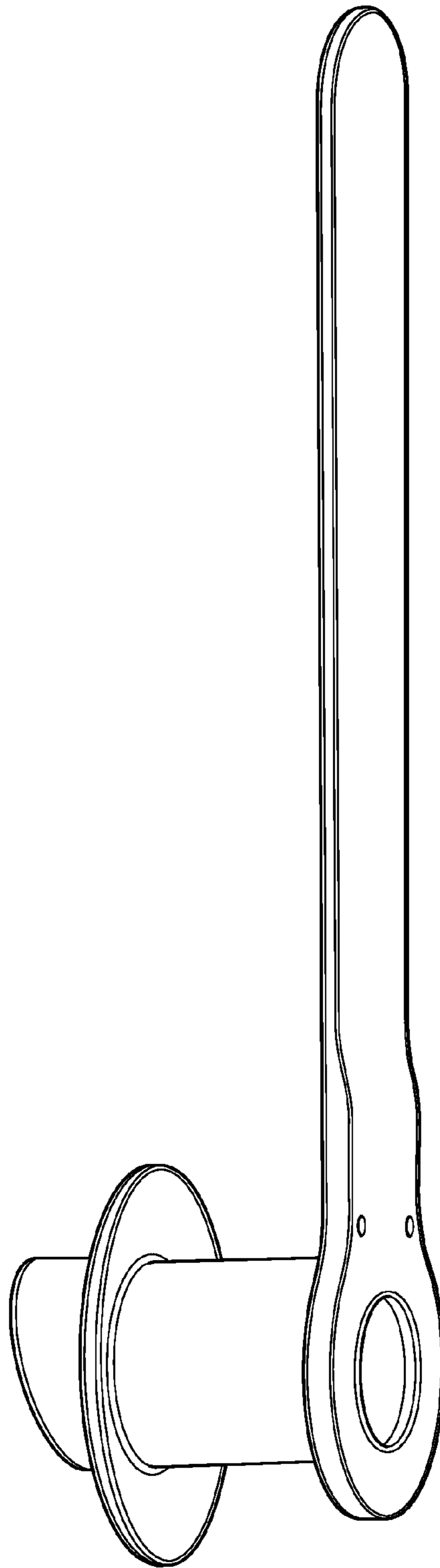


FIG. 5

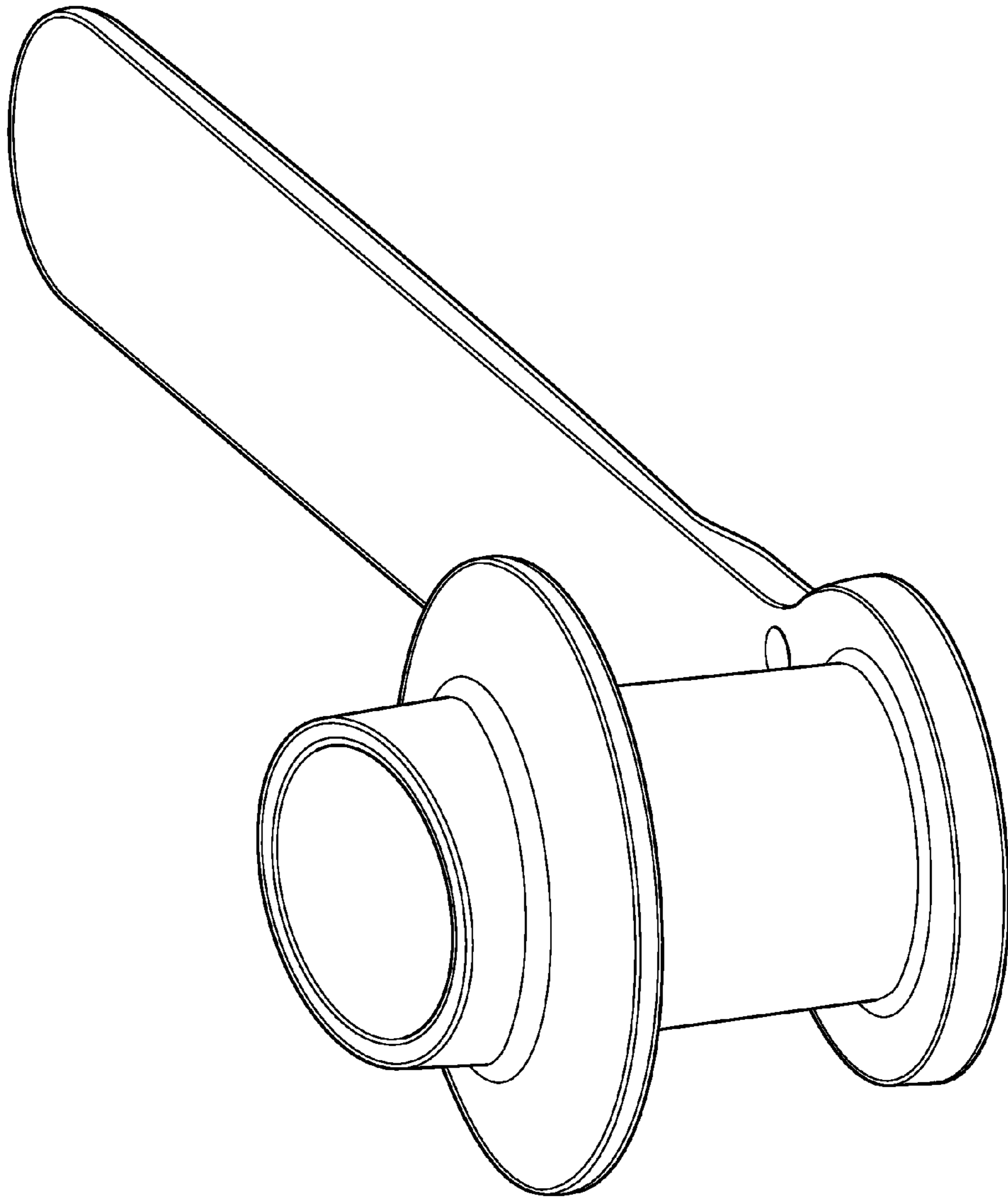


FIG. 6

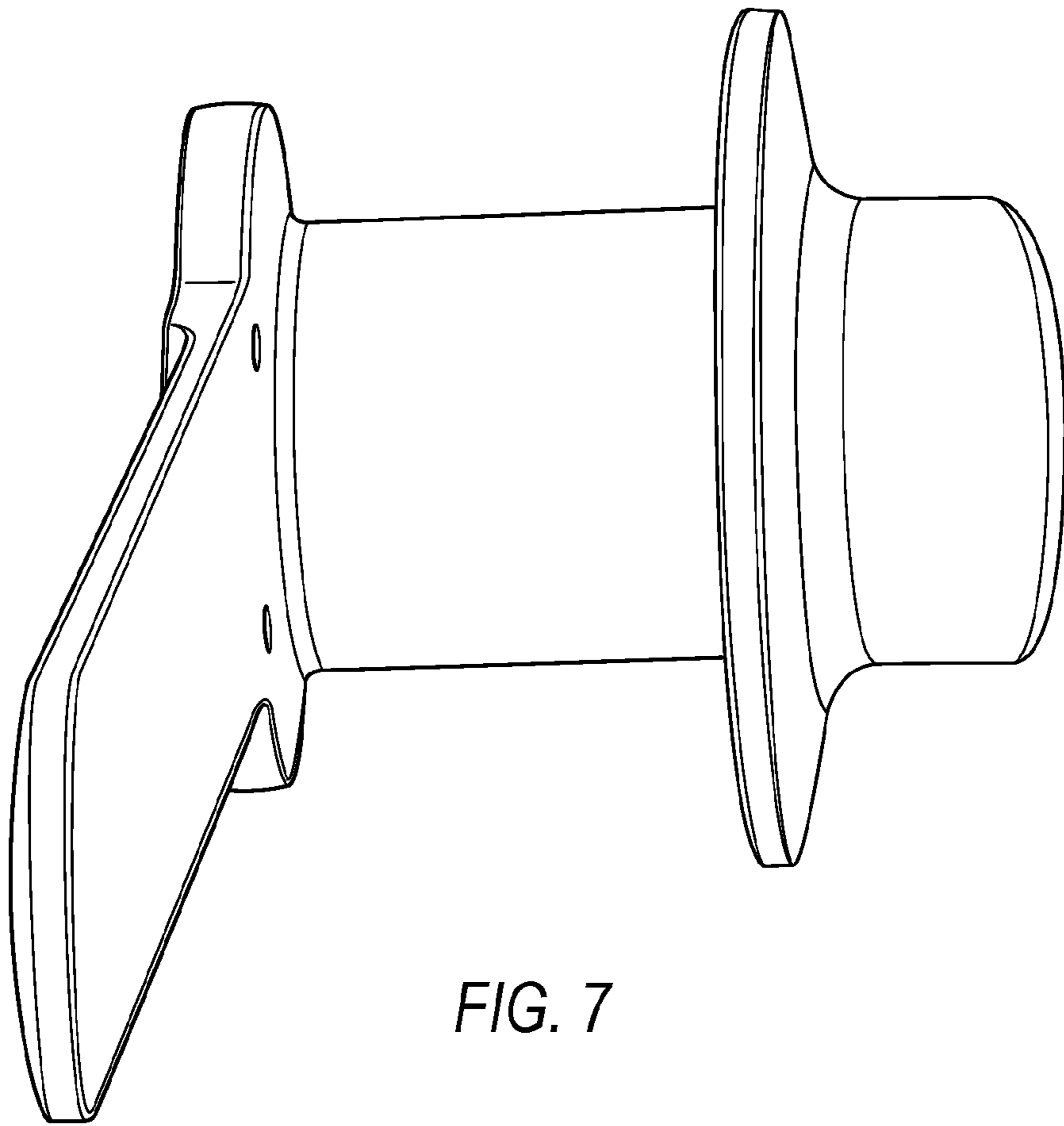


FIG. 7