



US00D735326S

(12) **United States Design Patent**  
**Gulliver et al.**

(10) **Patent No.:** **US D735,326 S**  
(45) **Date of Patent:** **\*\* Jul. 28, 2015**

(54) **CONNECTOR FOR A PATIENT BREATHING DEVICE**

(71) Applicant: **Fisher & Paykel Healthcare Limited**,  
East Tamaki, Auckland (NZ)

(72) Inventors: **Laurence Gulliver**, Auckland (NZ);  
**Michael Paul Ronayne**, Auckland (NZ);  
**Charles William Douglas Irving**,  
Auckland (NZ); **Mark Thomas**  
**O'Connor**, Auckland (NZ)

(73) Assignee: **Fisher & Paykel Healthcare Limited**,  
Auckland (NZ)

(\*\*) Term: **14 Years**

(21) Appl. No.: **29/433,930**

(22) Filed: **Oct. 5, 2012**

**Related U.S. Application Data**

(63) Continuation of application No. 29/429,467, filed on  
Aug. 10, 2012.

(51) **LOC (10) Cl.** ..... **24-01**

(52) **U.S. Cl.**  
USPC ..... **D24/129**

(58) **Field of Classification Search**  
USPC ..... D24/127, 129, 231, 107, 108, 110,  
D24/110.6; 600/300, 529, 532, 533, 538;  
604/26, 24, 23, 19, 48, 93.1, 246, 533,  
604/537, 538; 606/1, 151, 155  
CPC ..... A61M 16/0672; A61M 16/0816;  
A61M 16/161; A61M 16/0875

See application file for complete search history.

(56) **References Cited**

**U.S. PATENT DOCUMENTS**

4,589,684 A 5/1986 Nowacki et al.  
8,317,203 B2 \* 11/2012 Hermle et al. .... 279/23.1

8,485,193 B2 \* 7/2013 Worley ..... 128/207.14  
D691,717 S \* 10/2013 McLean et al. .... D24/129  
2006/0107960 A1 5/2006 Smart  
2007/0088327 A1 \* 4/2007 Guala ..... 604/533  
2009/0223523 A1 9/2009 Chang  
2010/0163051 A1 \* 7/2010 Brewer et al. .... 128/207.14  
2014/0200475 A1 \* 7/2014 Rubin ..... 600/532

**FOREIGN PATENT DOCUMENTS**

WO WO 03/082406 A2 10/2003  
WO WO 2013022356 A1 \* 2/2013

**OTHER PUBLICATIONS**

International Search Report and Written Opinion; PCT/NZ2010/  
000142; dated Jan. 22, 2013; 14 pages.

\* cited by examiner

*Primary Examiner* — Sherly Lane

*Assistant Examiner* — Ieisha Price

(74) *Attorney, Agent, or Firm* — Knobbe, Martens, Olson &  
Bear, LLP

(57) **CLAIM**

The ornamental design for a connector for a patient breathing  
device, as shown and described.

**DESCRIPTION**

FIG. 1 is a front, top and side perspective view of a connector  
for a patient breathing device.

FIG. 2 is a back, top, and side perspective view thereof;

FIG. 3 is a top view thereof, with the bottom view being a  
mirror image;

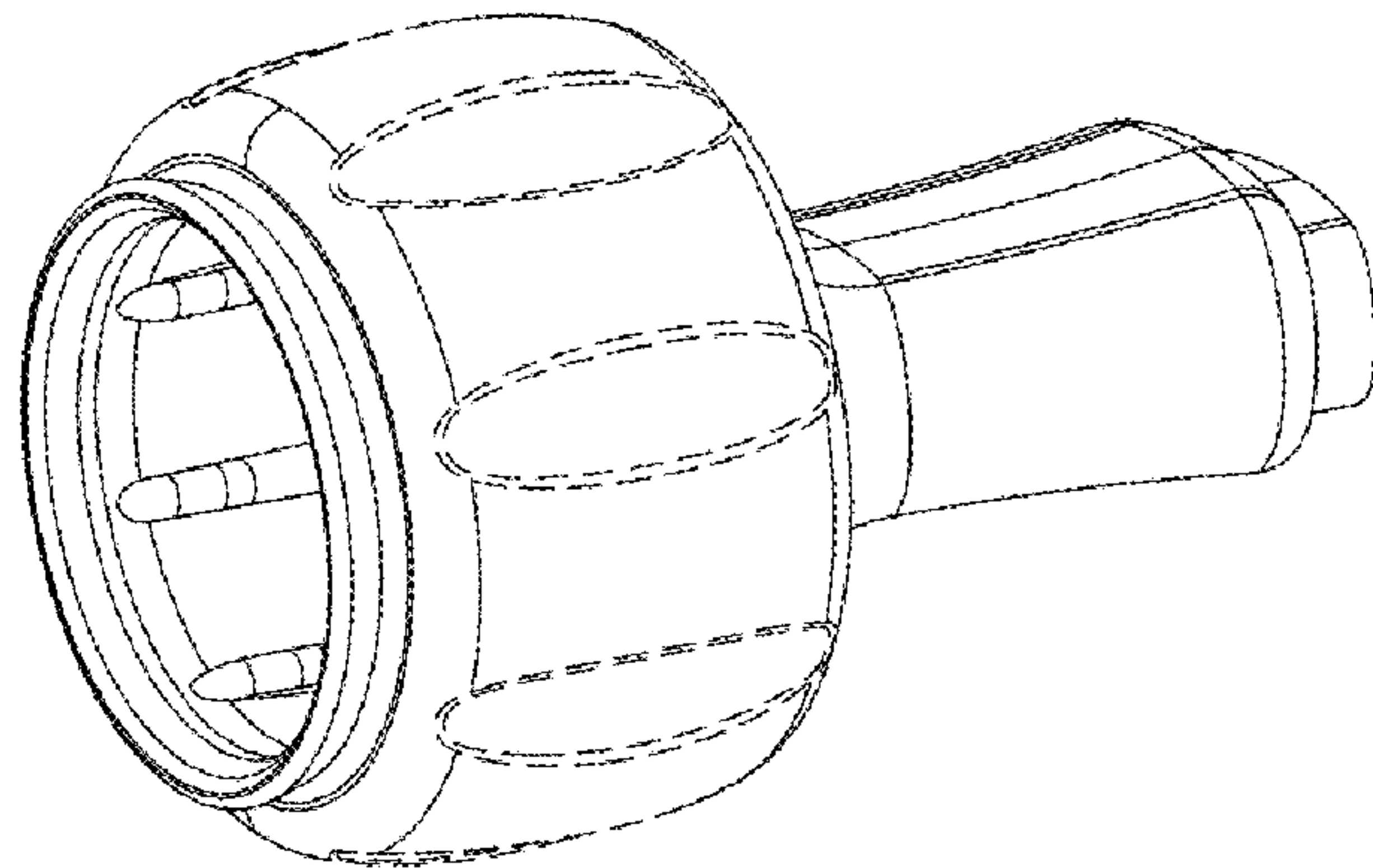
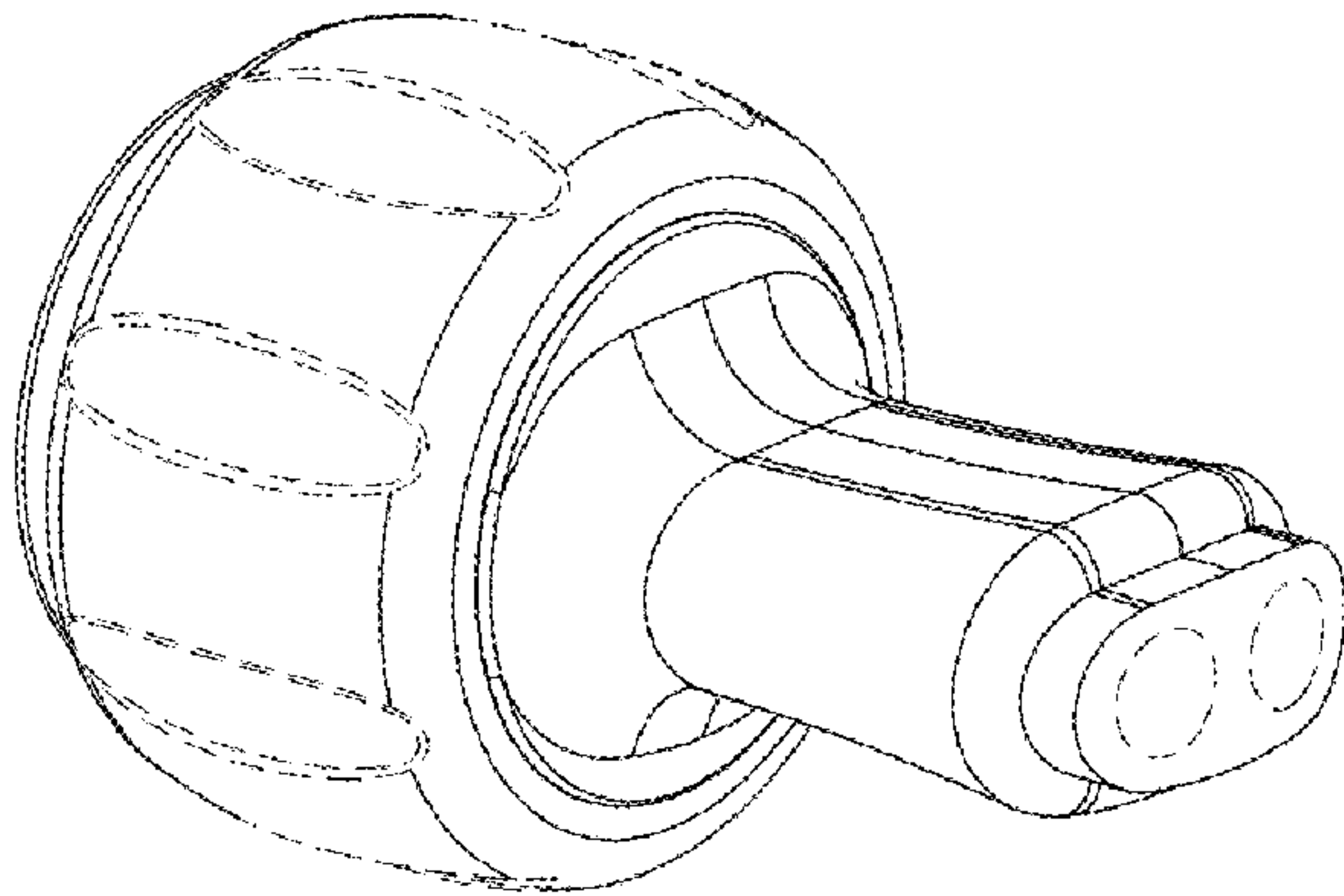
FIG. 4 is a side view thereof, with the opposite side being a  
mirror image;

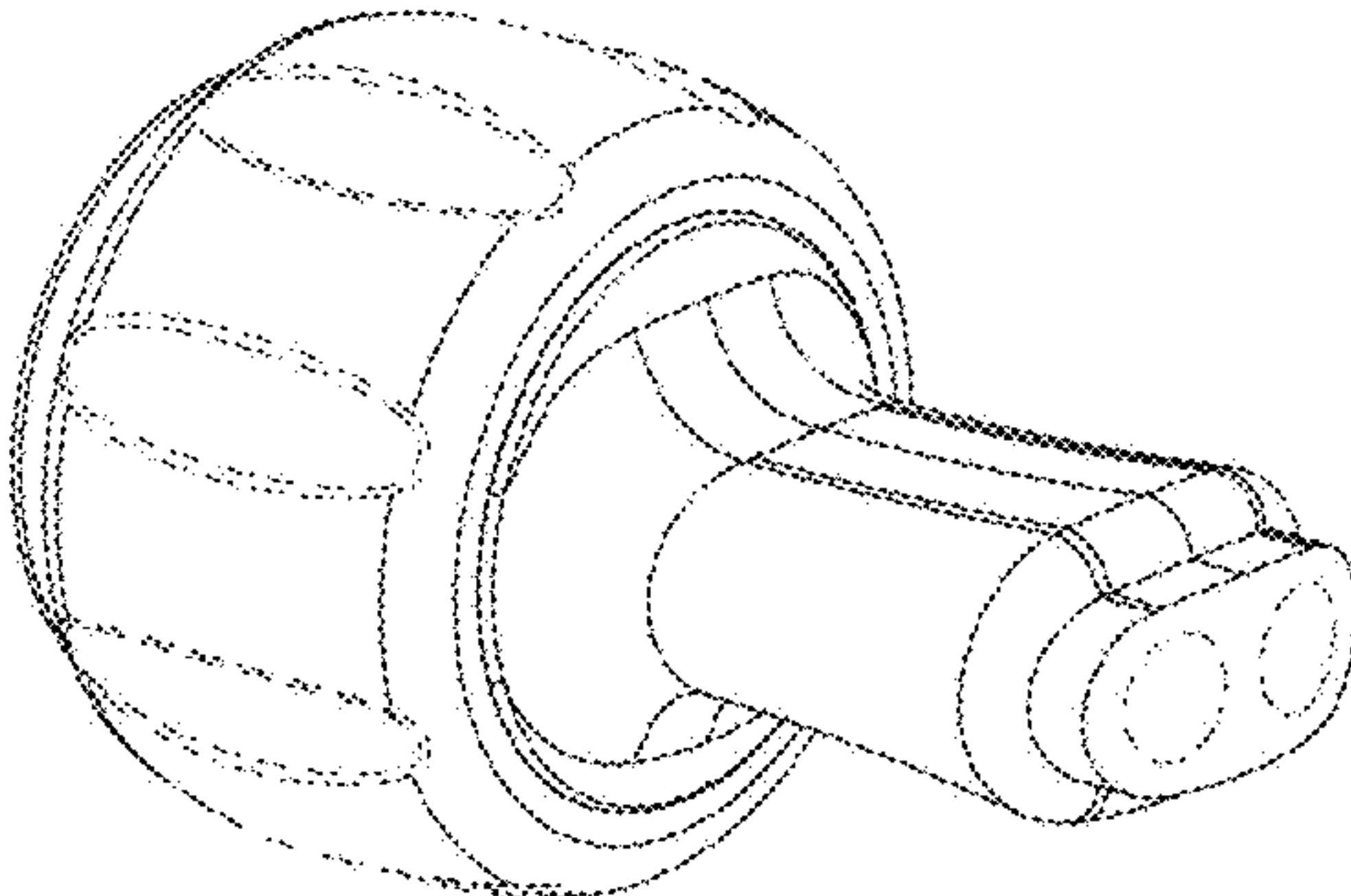
FIG. 5 is a back view thereof; and,

FIG. 6 is a front view thereof.

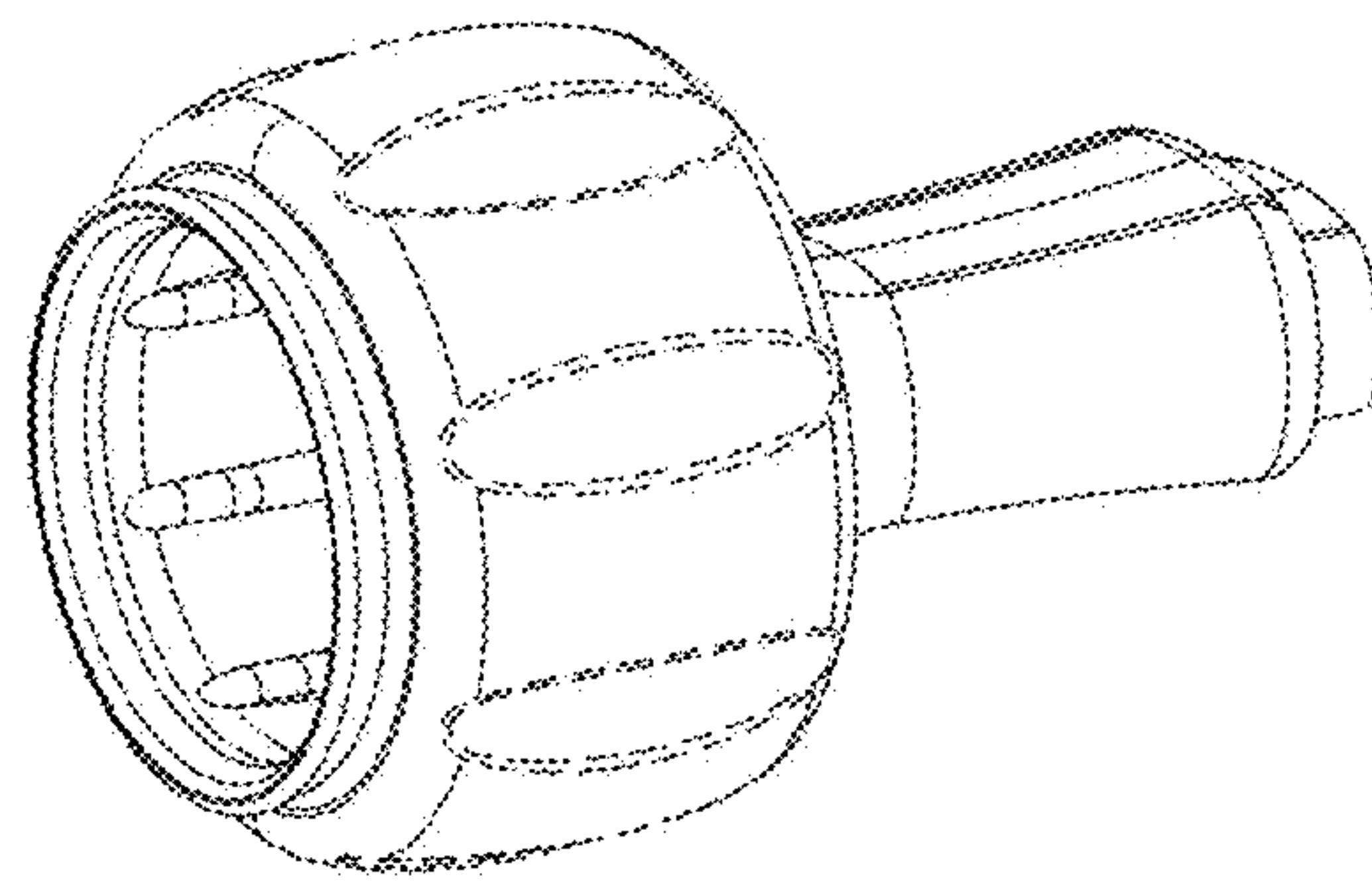
The broken lines in the drawings illustrate portions of the  
connector for a patient breathing device and form no part of  
the claimed design.

**1 Claim, 5 Drawing Sheets**

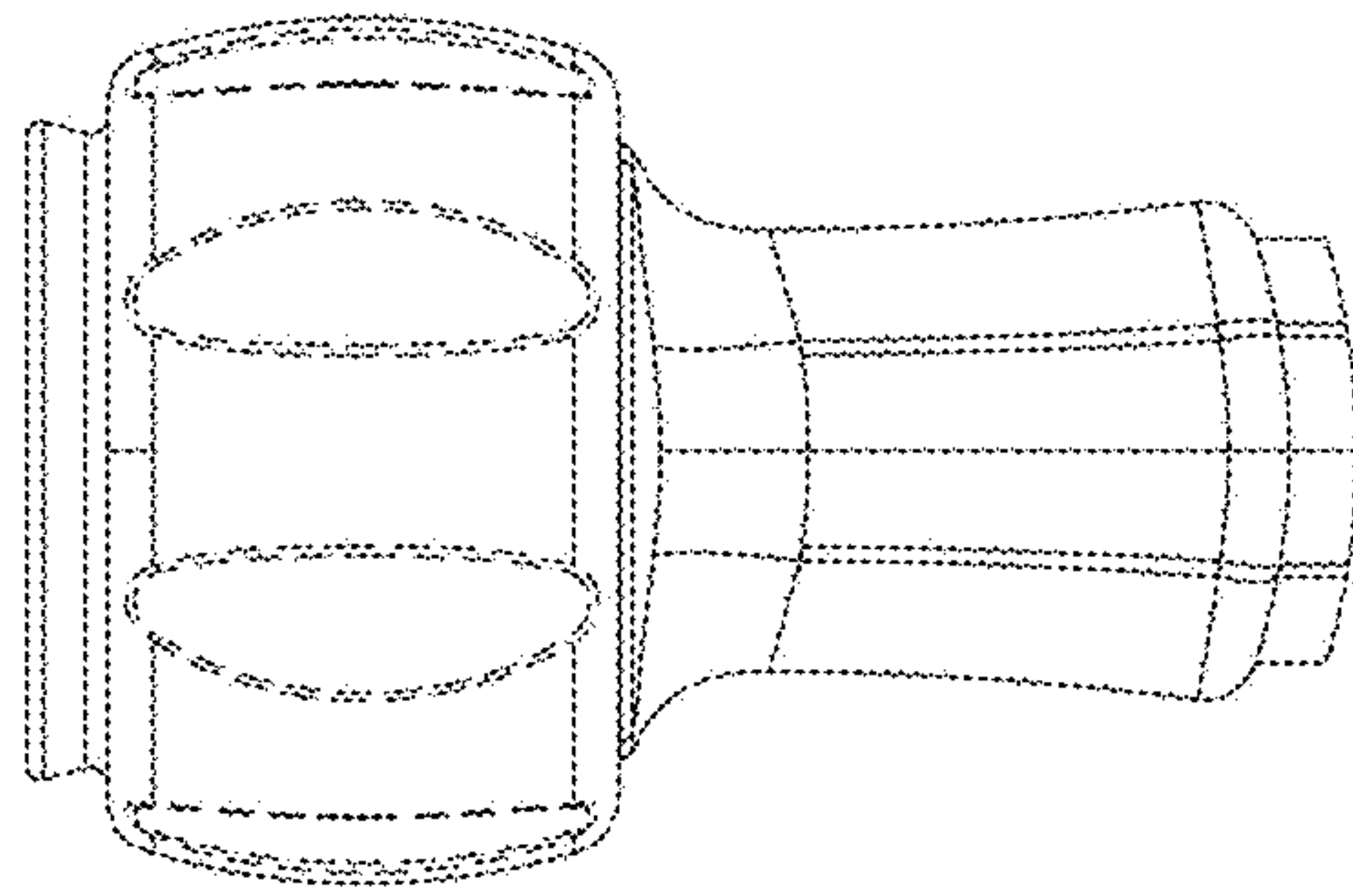




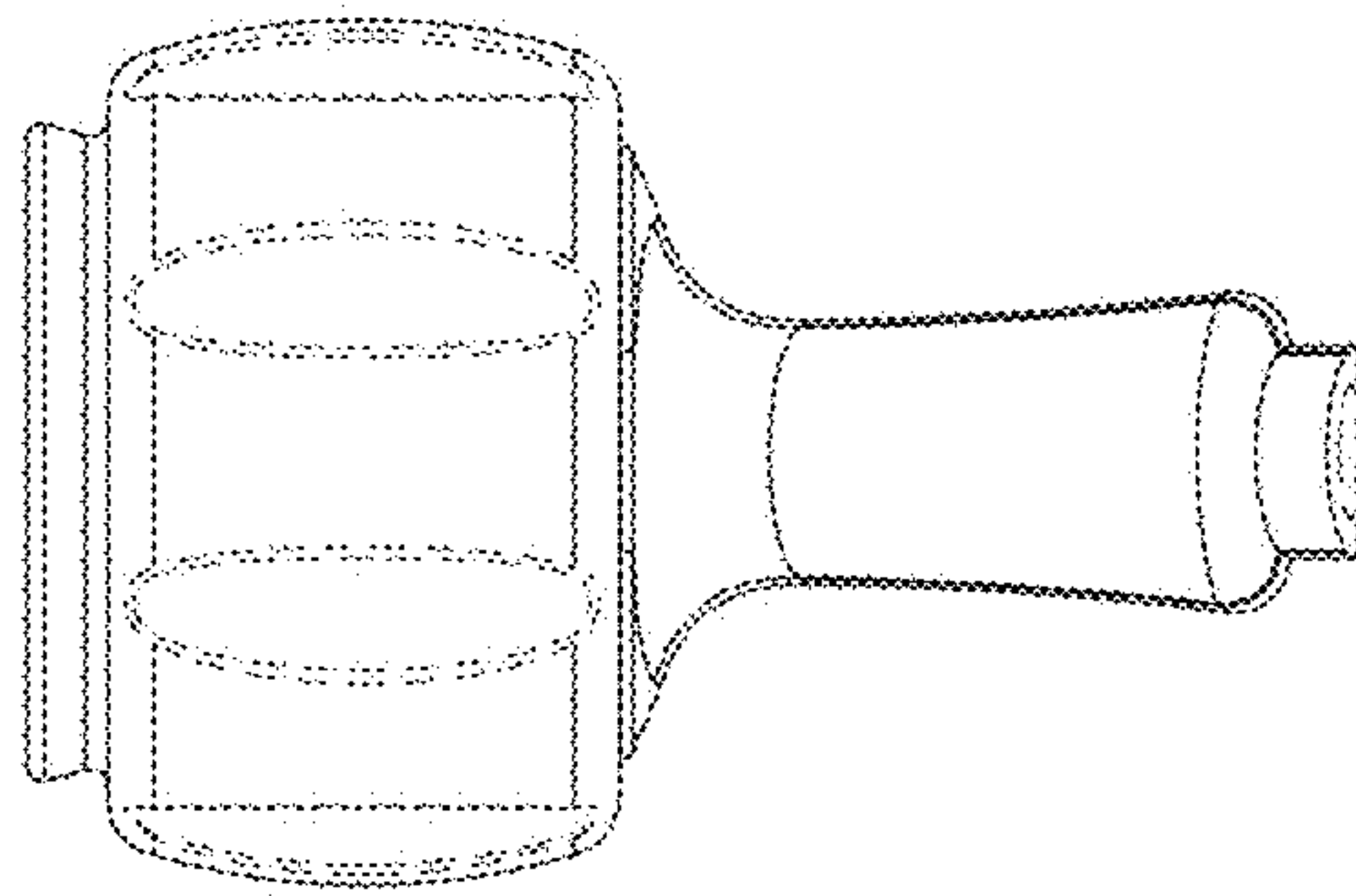
*FIG. 1*



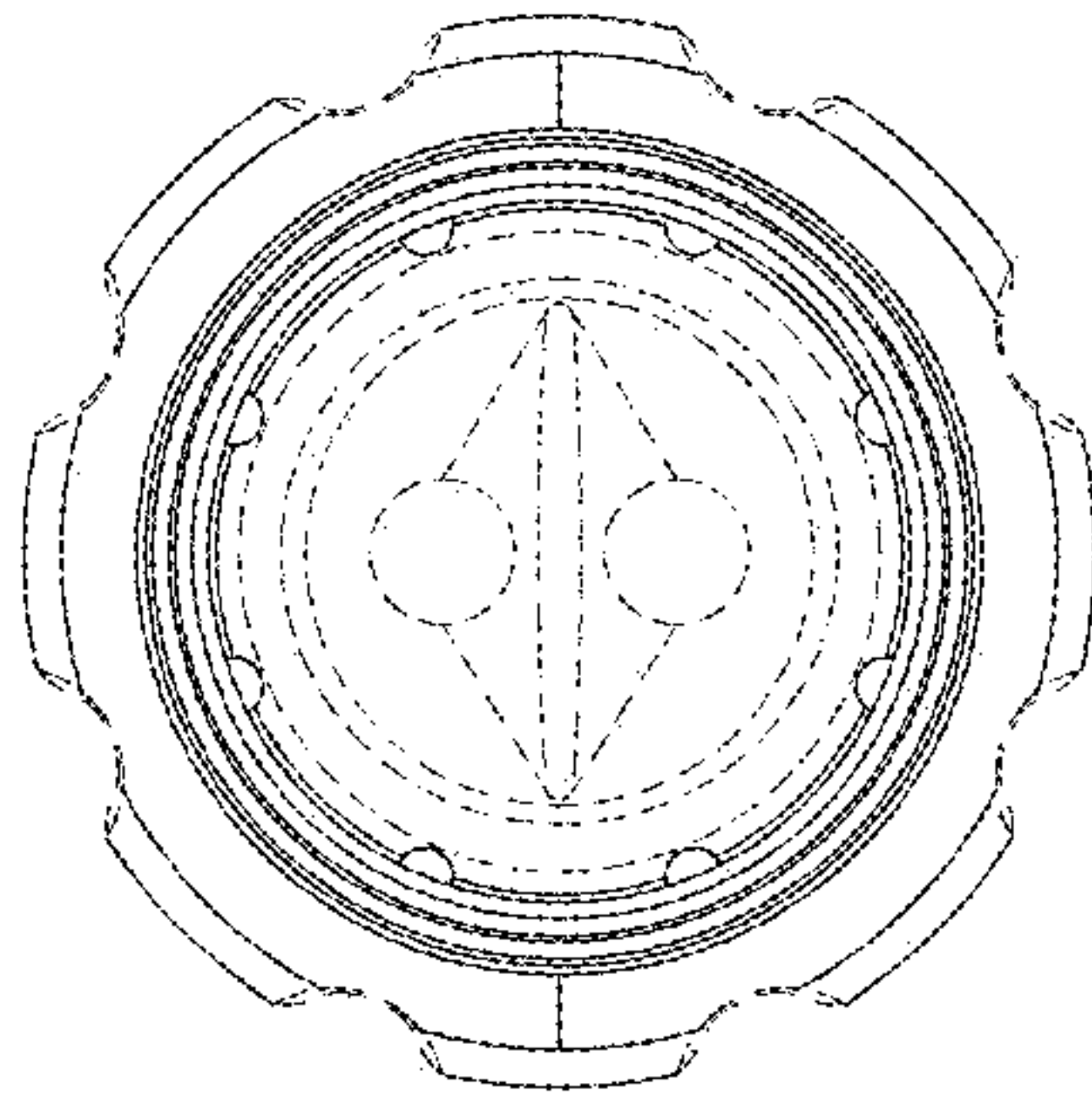
*FIG. 2*



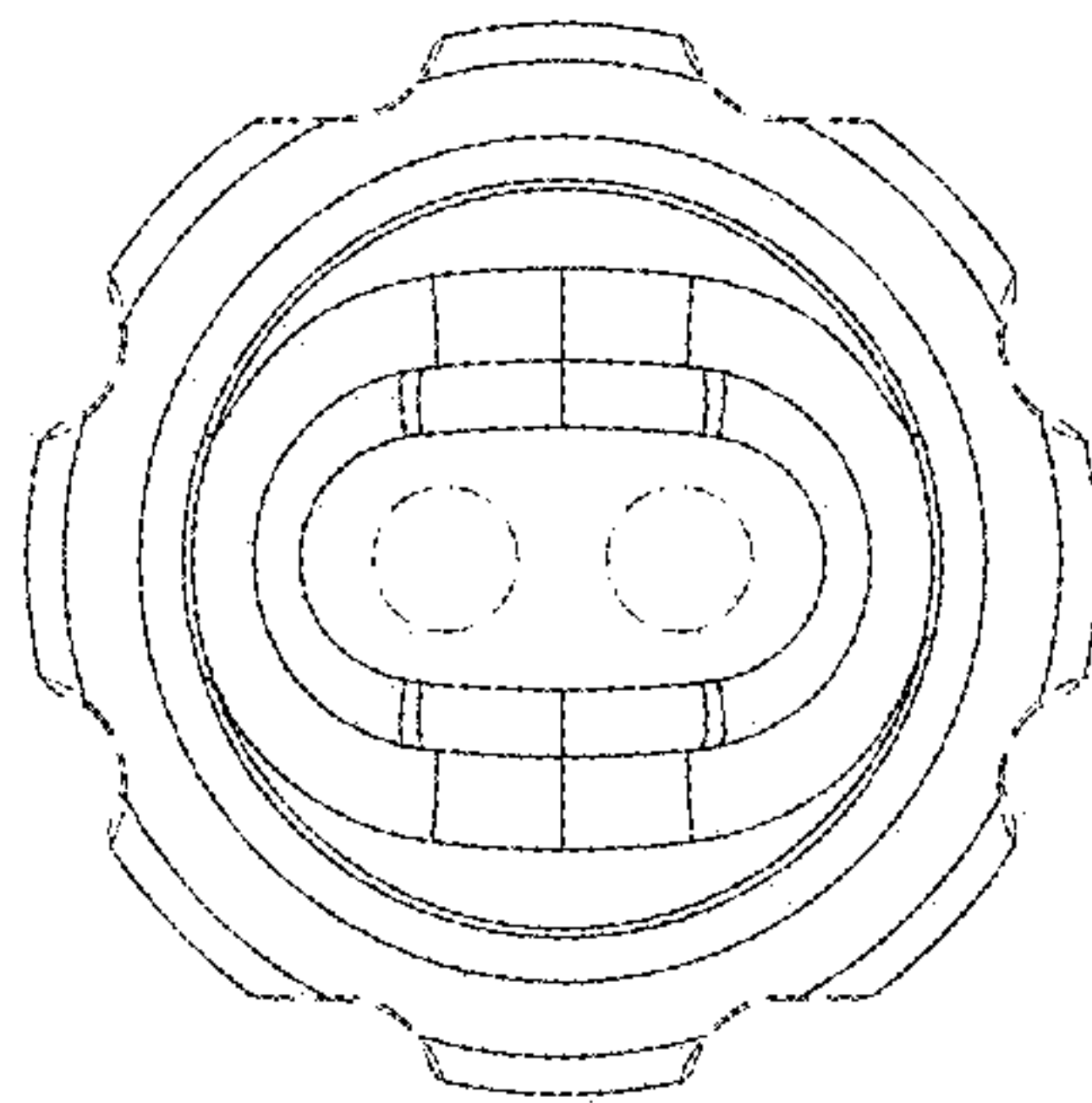
*FIG. 3*



*FIG. 4*



*FIG. 5*



*FIG. 6*

UNITED STATES PATENT AND TRADEMARK OFFICE  
**CERTIFICATE OF CORRECTION**

PATENT NO. : D735,326 S  
APPLICATION NO. : 29/433930  
DATED : July 28, 2015  
INVENTOR(S) : Laurence Gulliver

Page 1 of 1

It is certified that error appears in the above-identified patent and that said Letters Patent is hereby corrected as shown below:

Title Page

In column 2 at line 1, under Primary Examiner, Change Sherly to --Sheryl--

Signed and Sealed this  
Tenth Day of May, 2016



Michelle K. Lee  
*Director of the United States Patent and Trademark Office*