



US00D735323S

(12) **United States Design Patent**  
**Burke**

(10) **Patent No.:** **US D735,323 S**  
(45) **Date of Patent:** **\*\* Jul. 28, 2015**

(54) **MEDICINE APPLICATOR**

(75) Inventor: **John Edward Burke**, Cambridge (GB)

(73) Assignee: **Ferring B.V.**, Hoofddorp (NL)

(\*\*) Term: **14 Years**

(21) Appl. No.: **29/409,617**

(22) Filed: **Dec. 27, 2011**

(30) **Foreign Application Priority Data**

Jun. 27, 2011 (EP) ..... 001883372

(51) **LOC (10) Cl.** ..... **24-02**

(52) **U.S. Cl.**  
USPC ..... **D24/119**

(58) **Field of Classification Search**  
USPC ..... D24/119, 114, 112, 113, 186, 130, 127;  
D9/729; 604/310, 181, 232, 208, 189,  
604/132, 136; 606/181, 185; 222/39;  
401/265, 261, 11  
CPC ..... B65D 35/36; B65D 47/42; A61D 7/00;  
A61F 2007/029; A45D 34/042; A61M 35/006  
See application file for complete search history.

(56) **References Cited**

**U.S. PATENT DOCUMENTS**

D519,633 S \* 4/2006 Weekes et al. .... D24/112  
D613,399 S \* 4/2010 Hunter et al. .... D24/130

(Continued)

**OTHER PUBLICATIONS**

U.S. Appl. No. 61/501,292, filed Jun. 27, 2011.

*Primary Examiner* — Sheryl Lane  
*Assistant Examiner* — Nicole Shiflet

(74) *Attorney, Agent, or Firm* — Fish & Richardson P.C.

(57) **CLAIM**

The ornamental design for a medicine applicator, as shown and described.

**DESCRIPTION**

FIG. 1 is a perspective view of a first embodiment of the medicine applicator of the present invention with a medicine bottle.

FIG. 2 is a perspective view of the medicine applicator of FIG. 1 with the lid removed.

FIG. 3 is a front view of the medicine applicator of FIG. 1 with a medicine bottle.

FIG. 4 is a rear view of the medicine applicator of FIG. 1.

FIG. 5 is a left side view of the medicine applicator of FIG. 1.

FIG. 6 is a right side view of the medicine applicator of FIG. 1.

FIG. 7 is a top view of the medicine applicator of FIG. 1.

FIG. 8 is a bottom view of the medicine applicator of FIG. 1.

FIG. 9 is a bottom view of the medicine applicator of FIG. 1 without a medicine bottle.

FIG. 10 is a perspective view of a second embodiment of the medicine applicator, of the present invention with a medicine bottle.

FIG. 11 is a perspective view of the medicine applicator of FIG. 10 with the lid removed.

FIG. 12 is a front view of the medicine applicator of FIG. 10.

FIG. 13 is a rear view of the medicine applicator of FIG. 10.

FIG. 14 is a left side view of the medicine applicator of FIG. 10.

FIG. 15 is a right side view of the medicine applicator of FIG. 10.

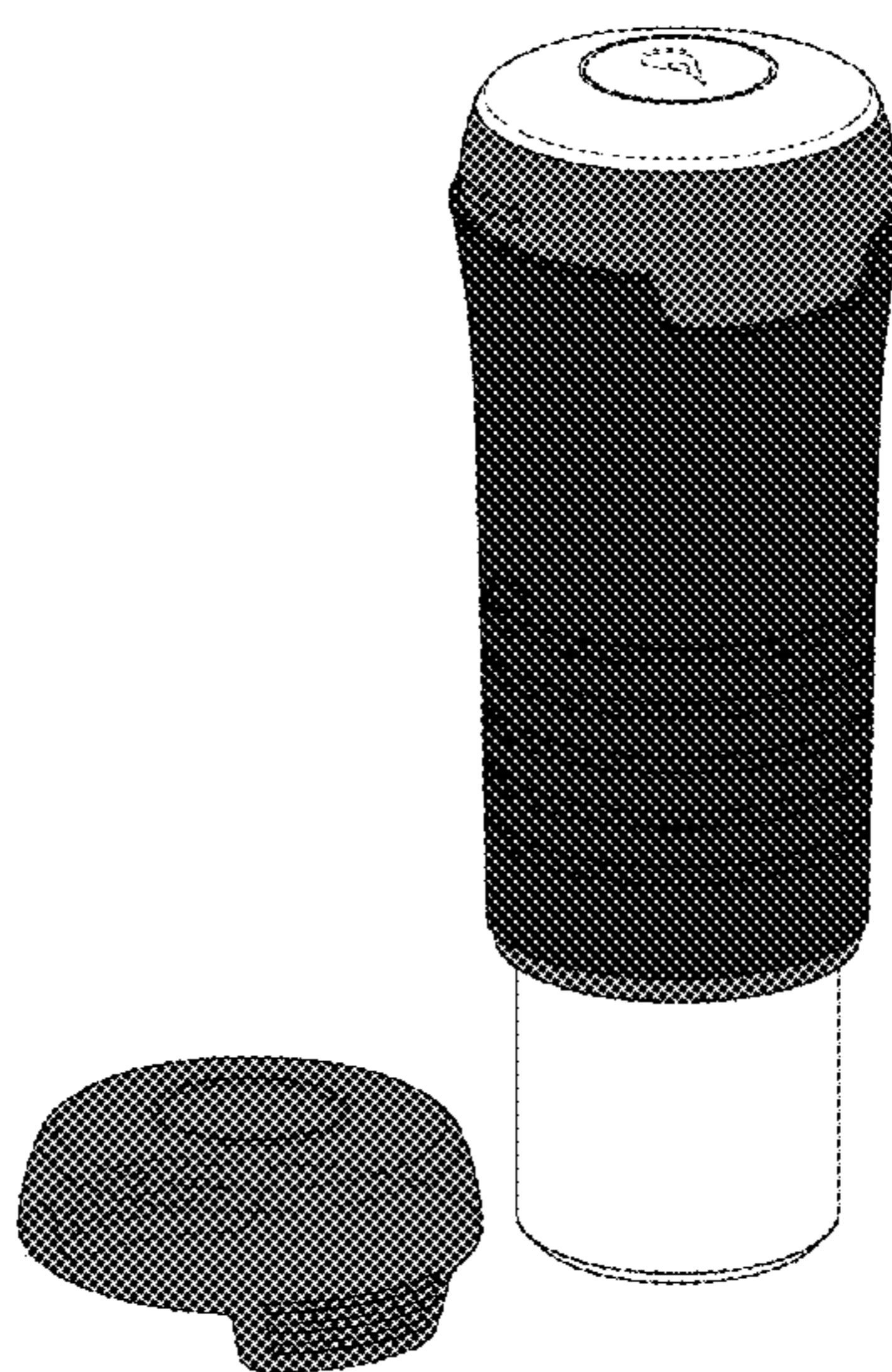
FIG. 16 is a top view of the medicine applicator of FIG. 10.

FIG. 17 is a bottom view of the medicine applicator of FIG. 10.

FIG. 18 is a bottom view of the medicine applicator of FIG. 10 without a medicine bottle; and,

FIG. 19 is a perspective view of the bottom of the lid of the medicine applicator of the present invention.

**1 Claim, 12 Drawing Sheets**



(56)

**References Cited**

U.S. PATENT DOCUMENTS

D655,001 S \* 2/2012 Becker et al. .... D24/130  
D677,382 S \* 3/2013 Foley et al. .... D24/114  
8,544,684 B2 \* 10/2013 Perez ..... 222/39  
8,684,968 B2 \* 4/2014 Genosar ..... 604/132

D708,317 S \* 7/2014 Schneider et al. .... D24/113  
2007/0293883 A1 \* 12/2007 Horie ..... 606/181  
2008/0101850 A1 \* 5/2008 Wojcik et al. .... 401/265  
2013/0274668 A1 \* 10/2013 Barrow-Williams et al. 604/136  
2014/0221943 A1 \* 8/2014 Carrara et al. .... 604/310  
2014/0263425 A1 \* 9/2014 Akdogan et al. .... 222/39

\* cited by examiner

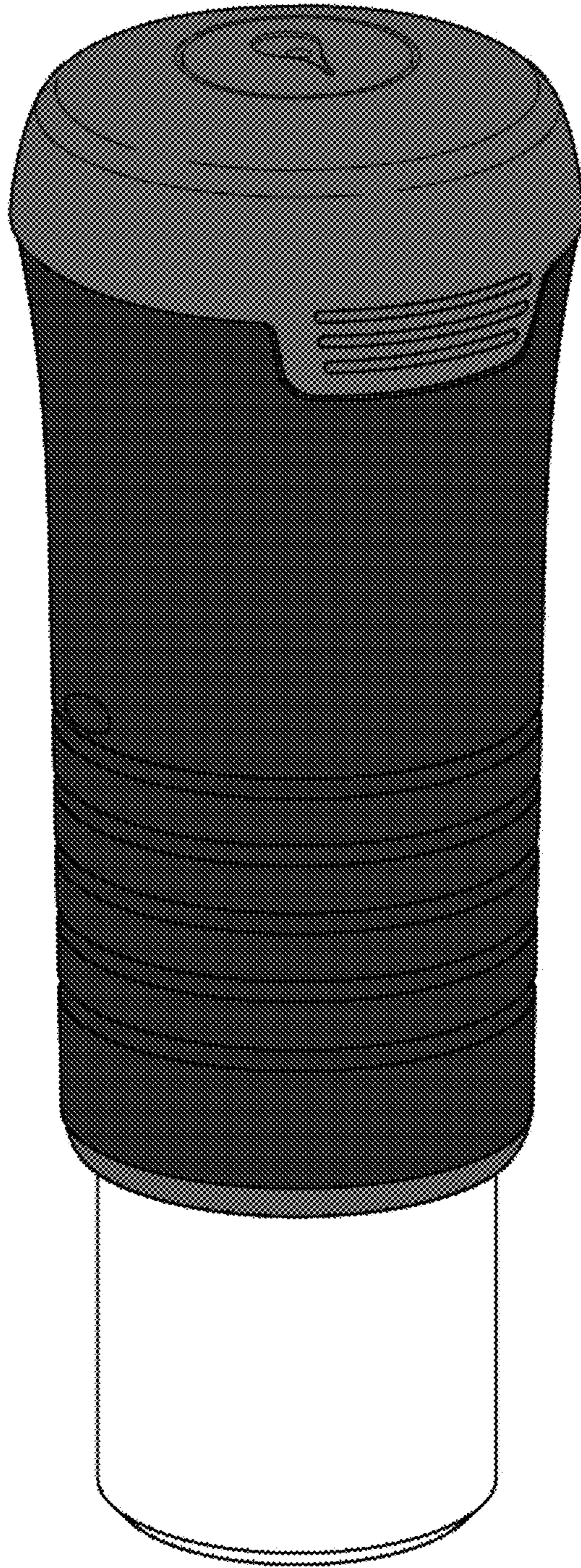


FIG. 1

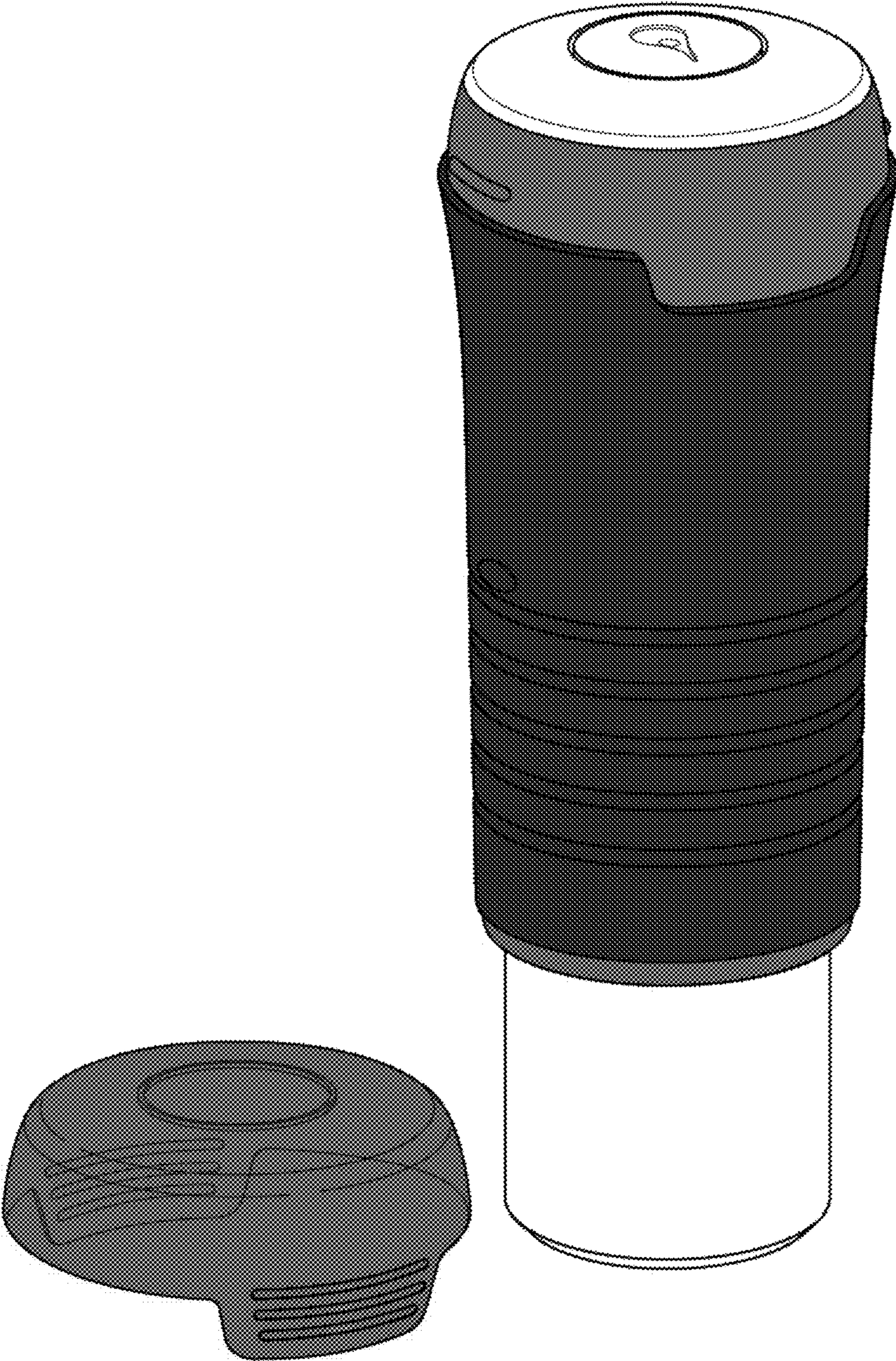


FIG. 2

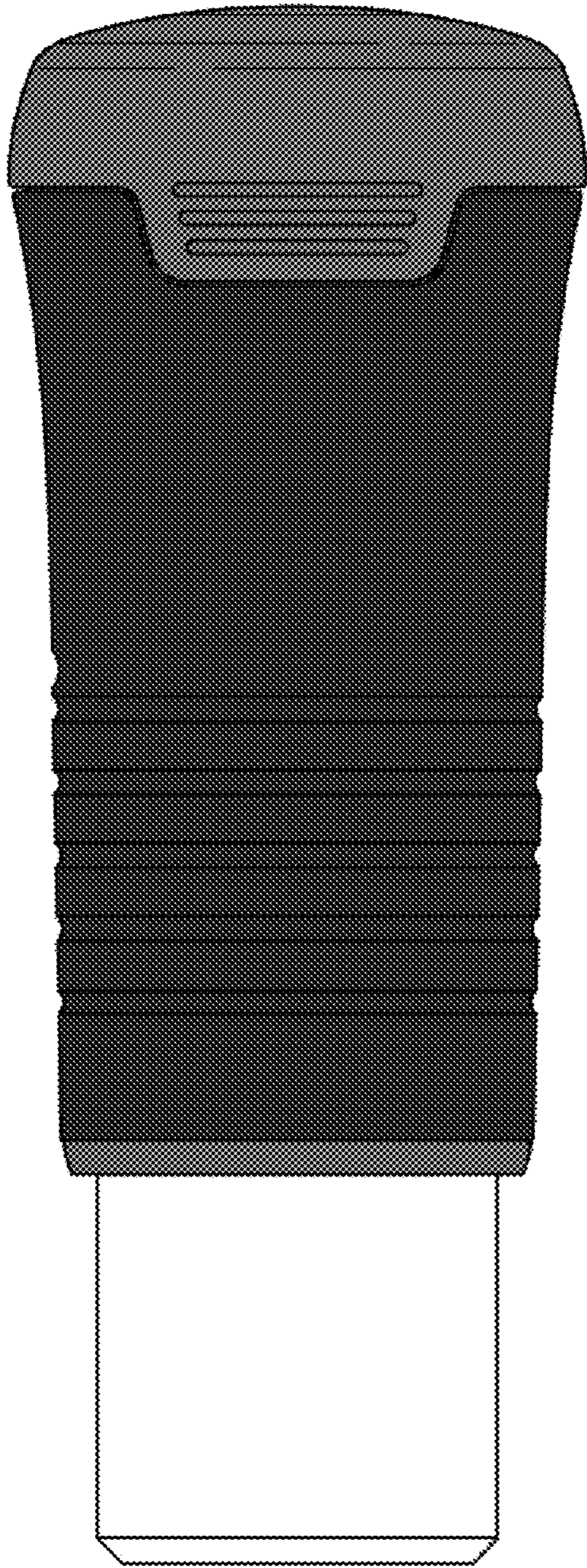


FIG. 3

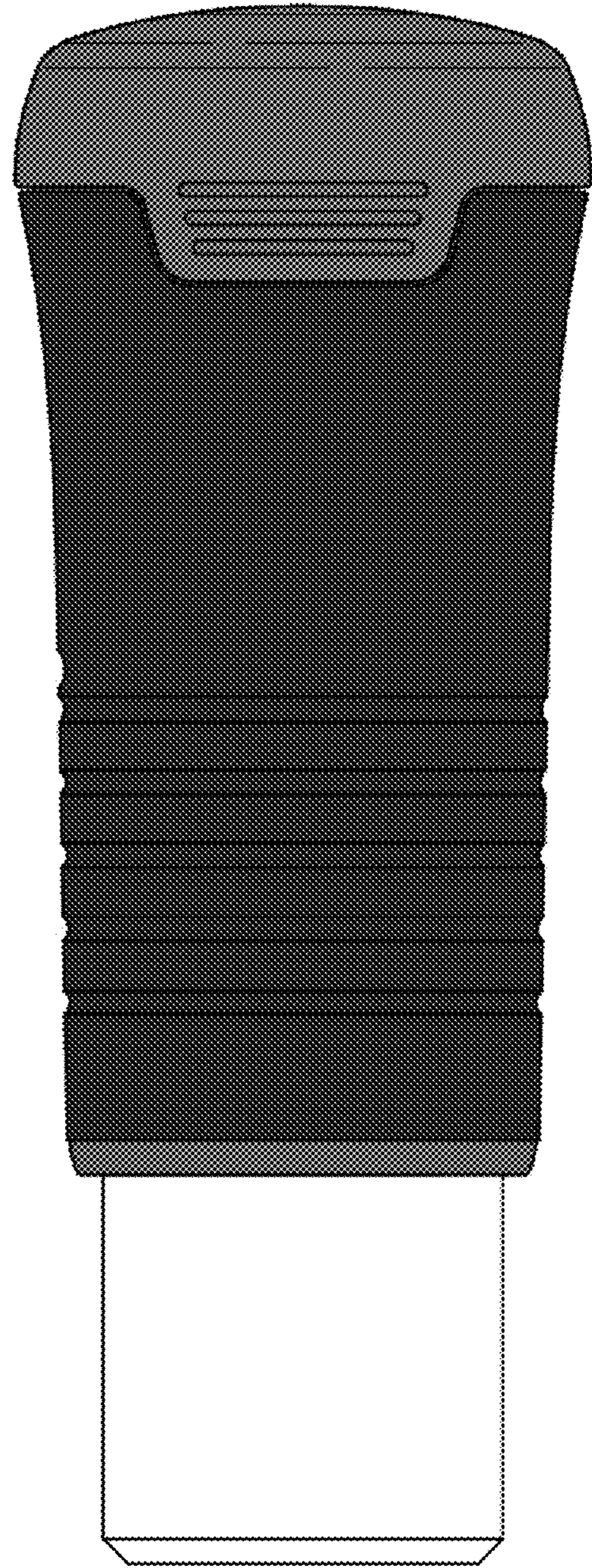


FIG. 4

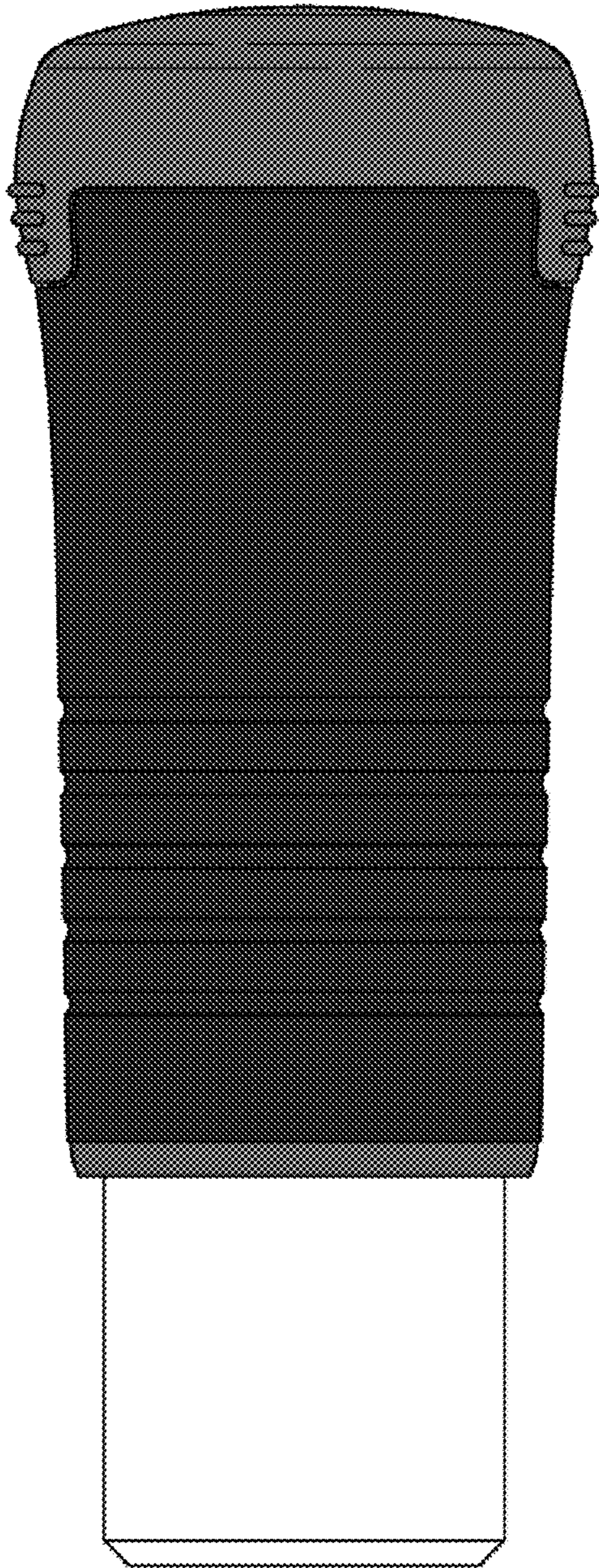


FIG. 5

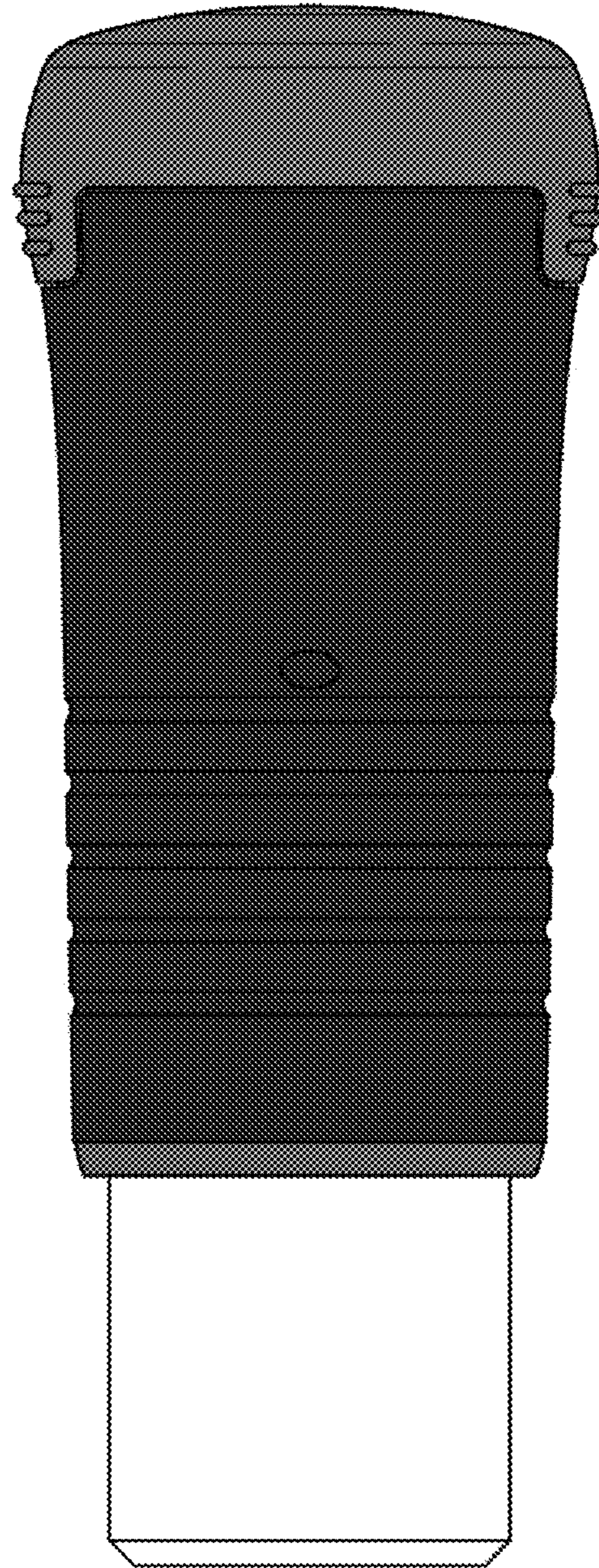


FIG. 6

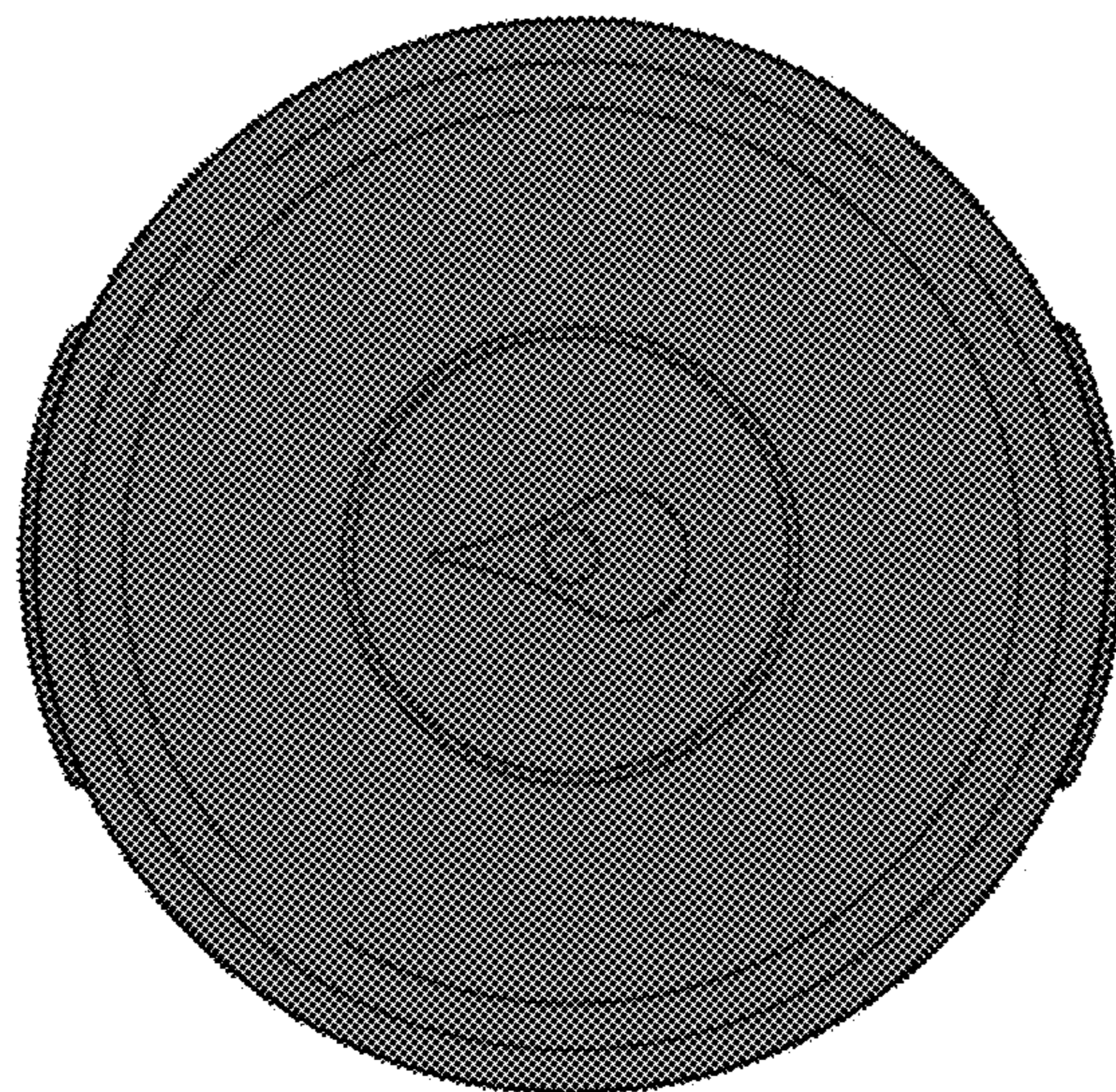


FIG. 7

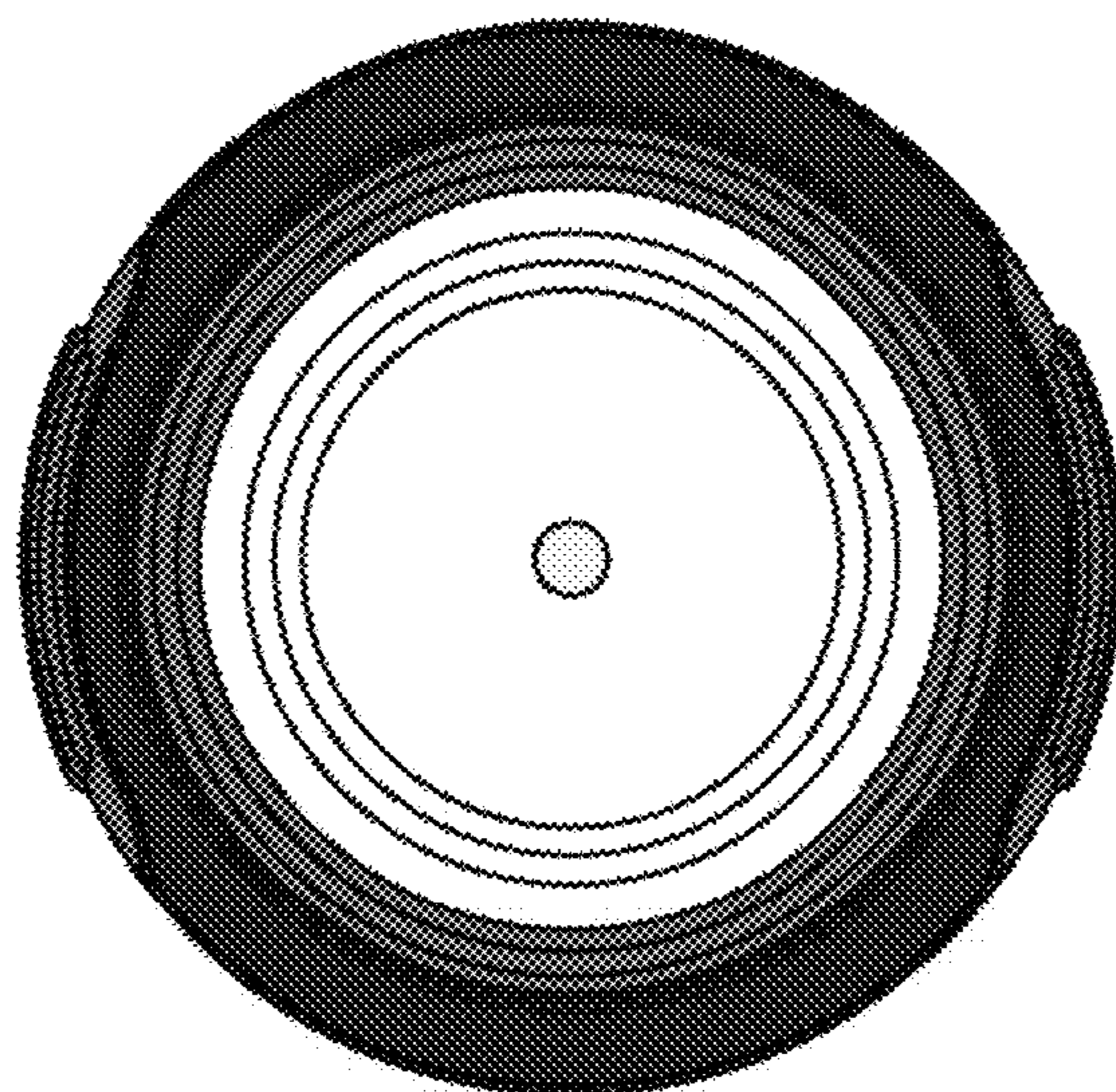


FIG. 8

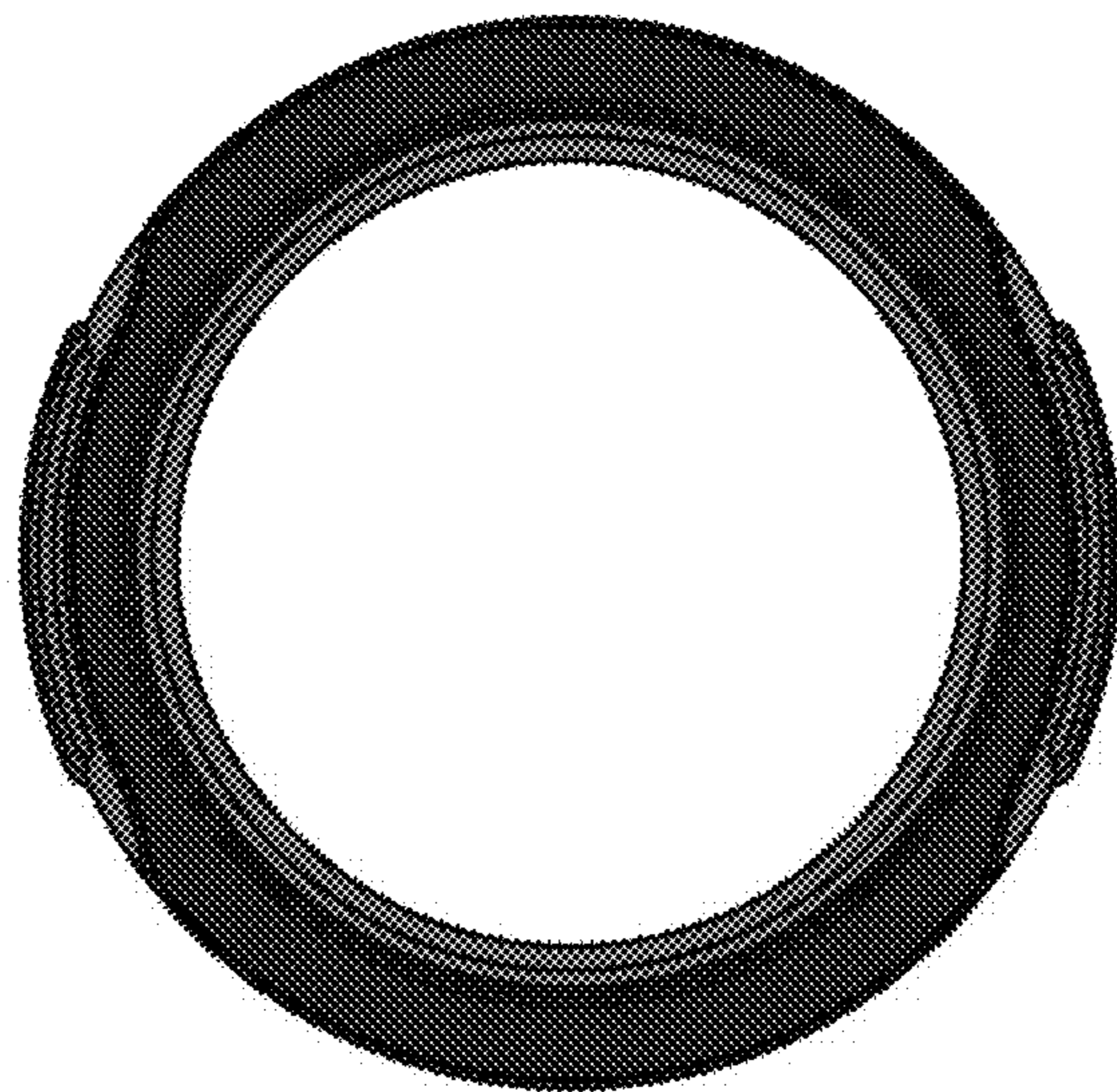


FIG. 9



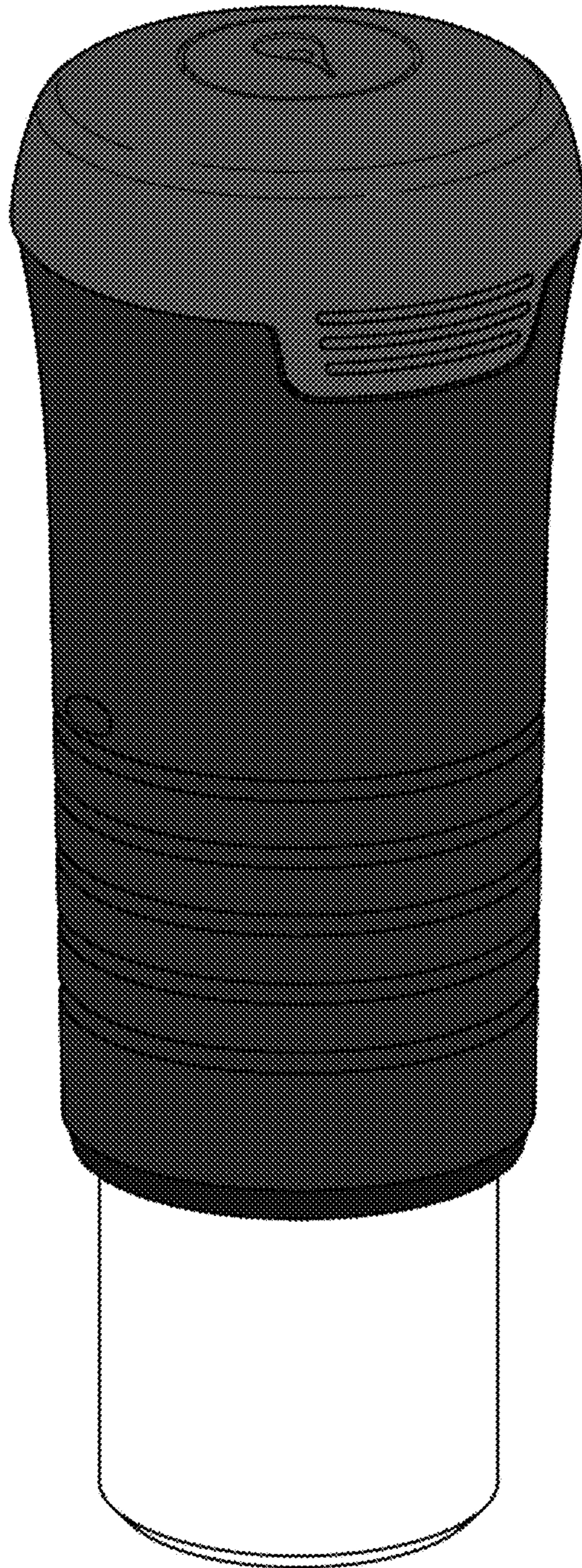


FIG. 10

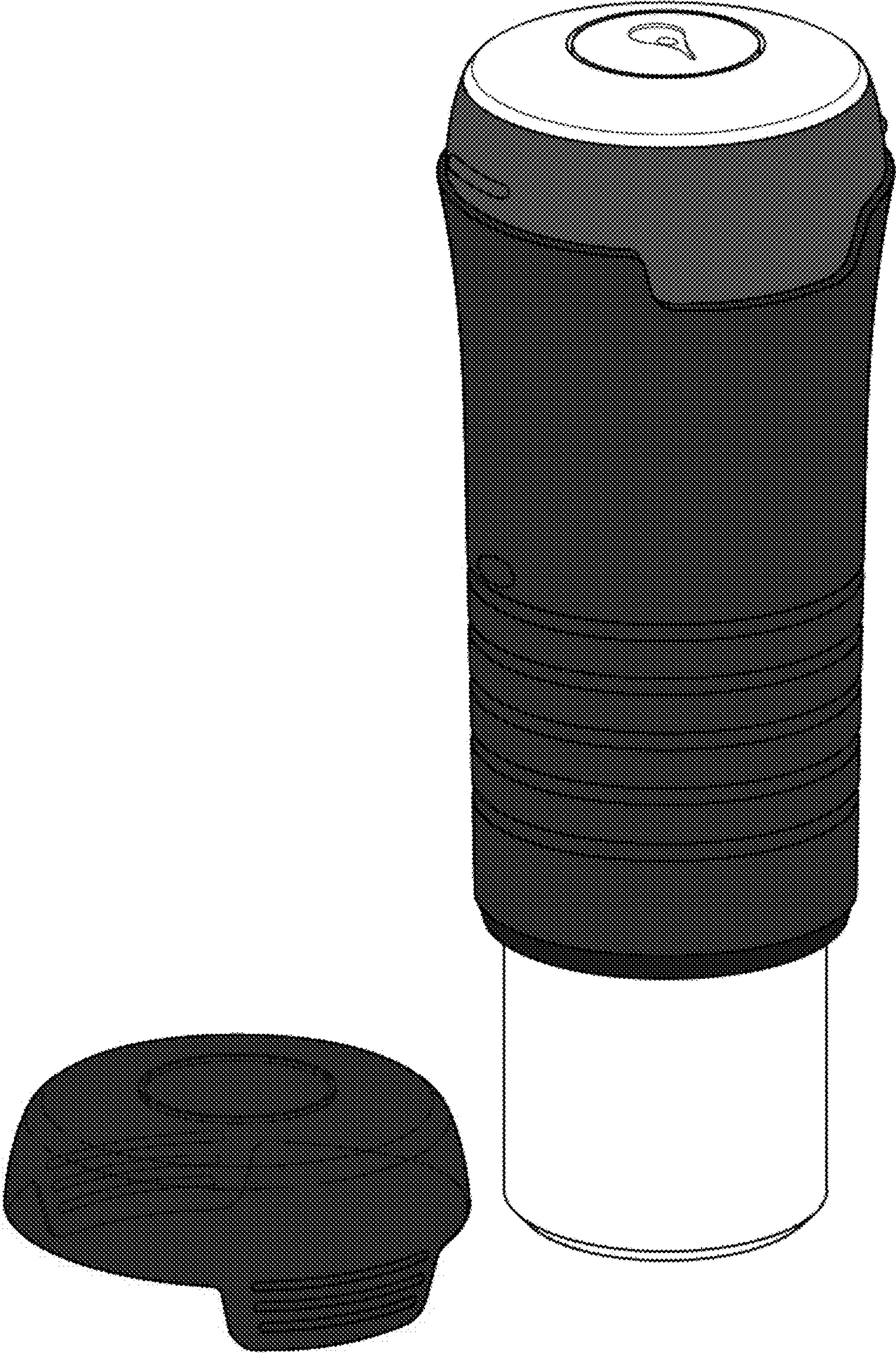


FIG. 11

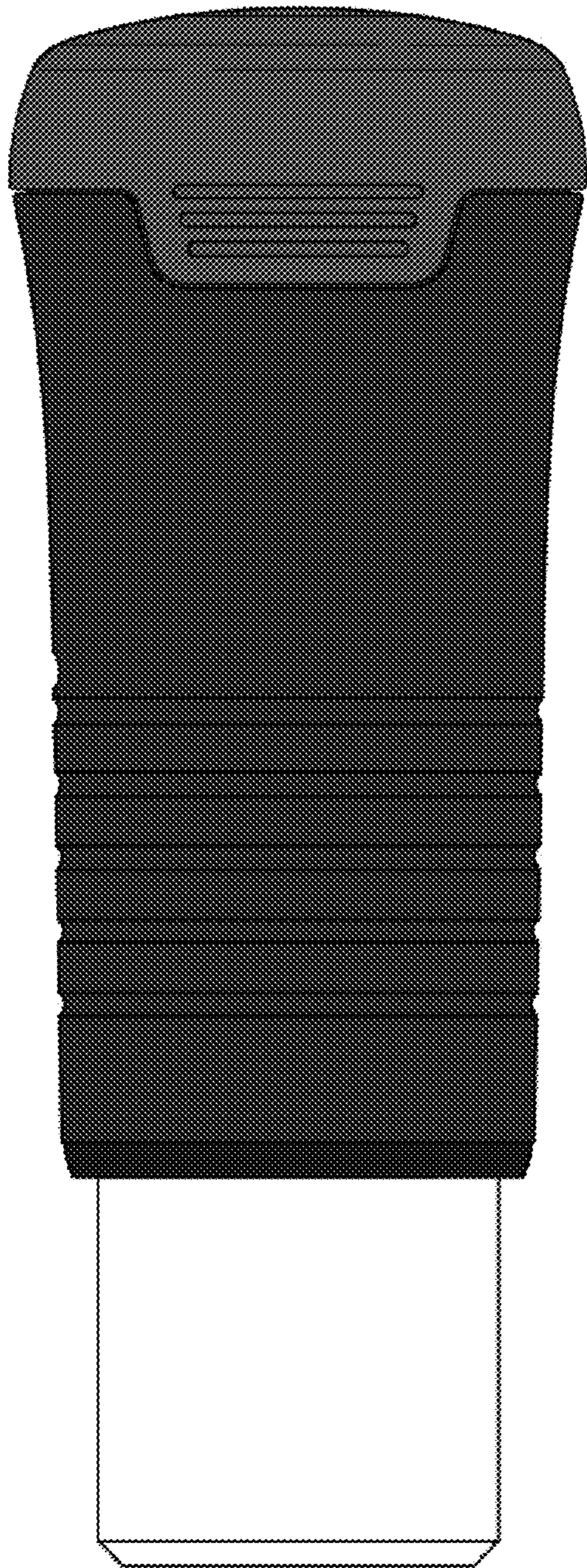


FIG. 12

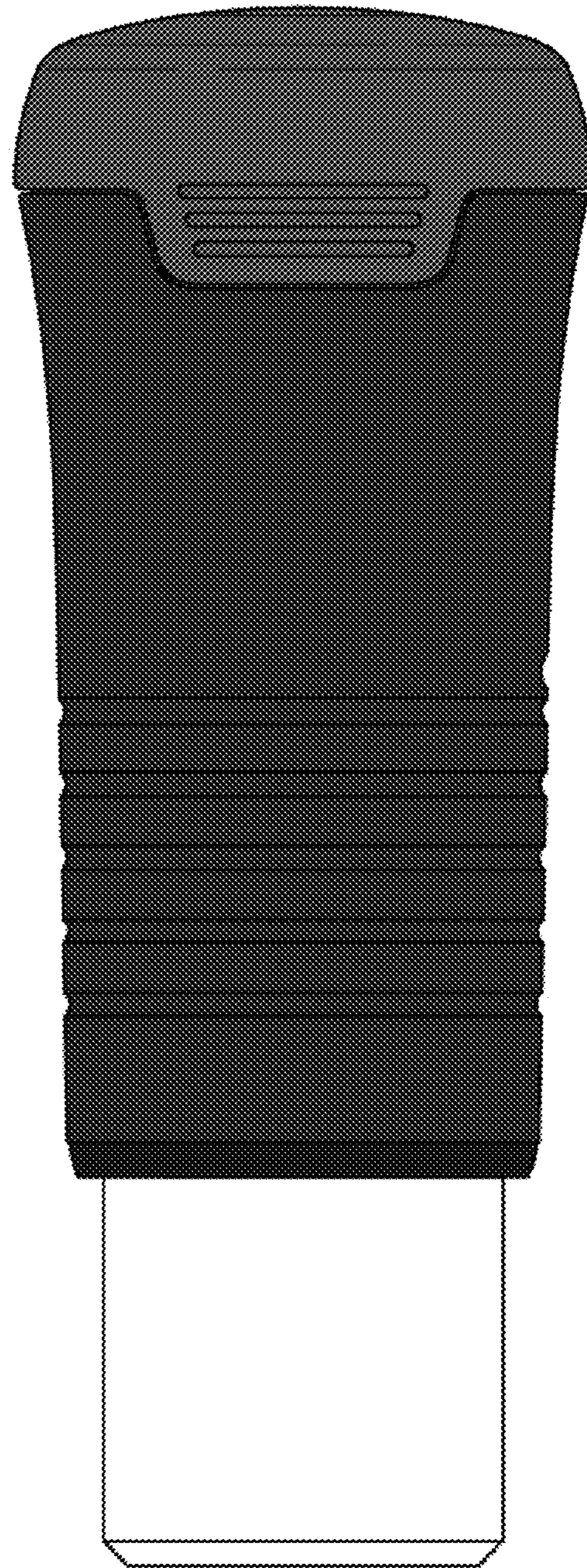


FIG. 13

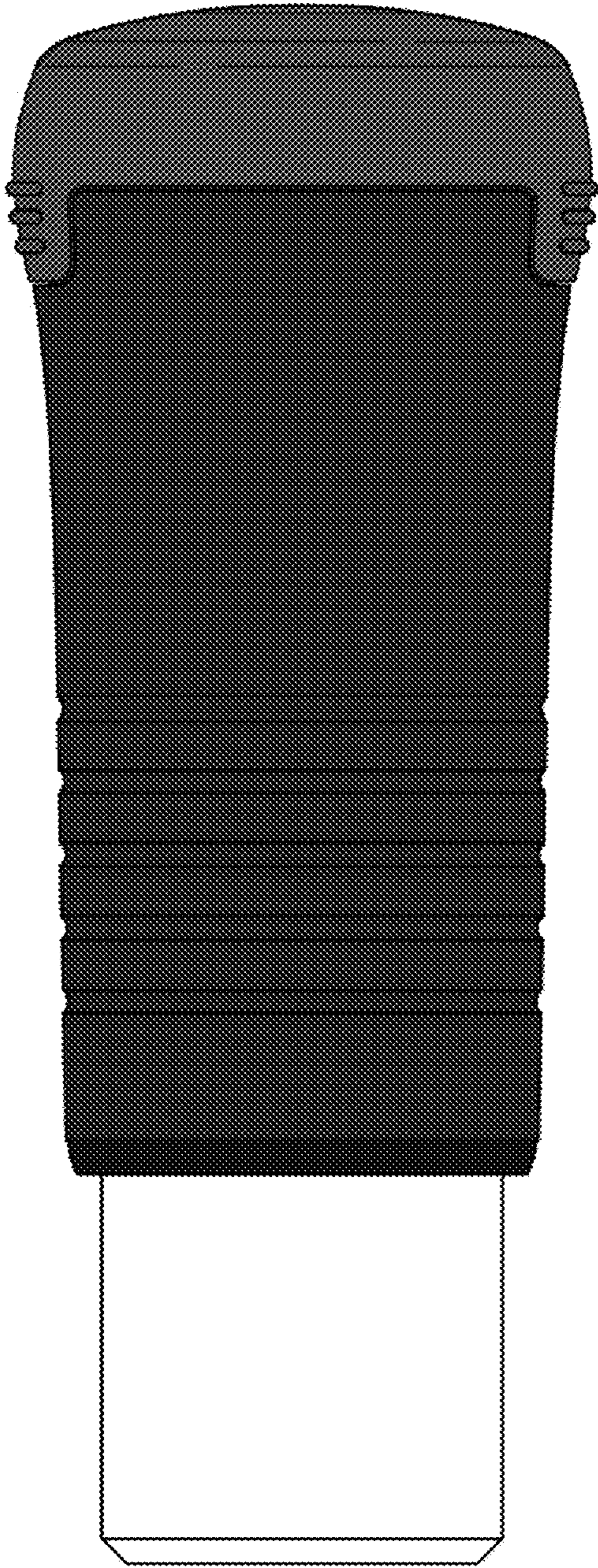


FIG. 14

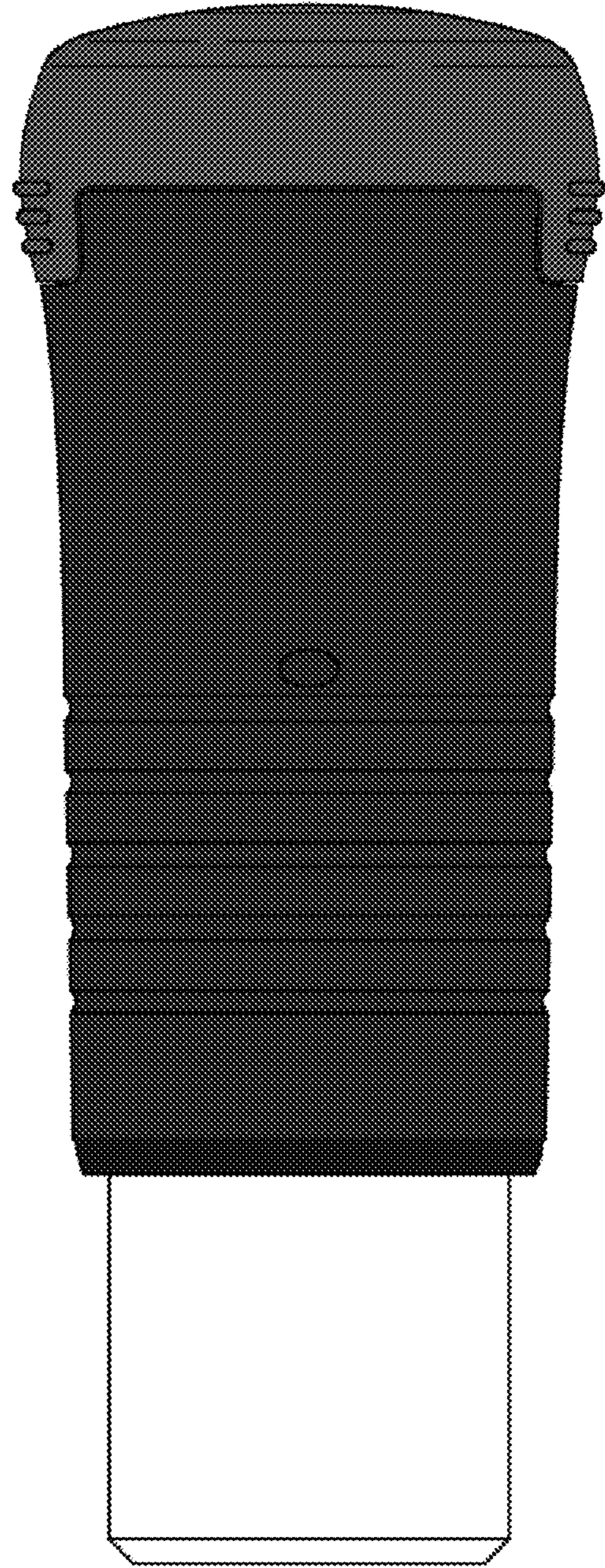


FIG. 15

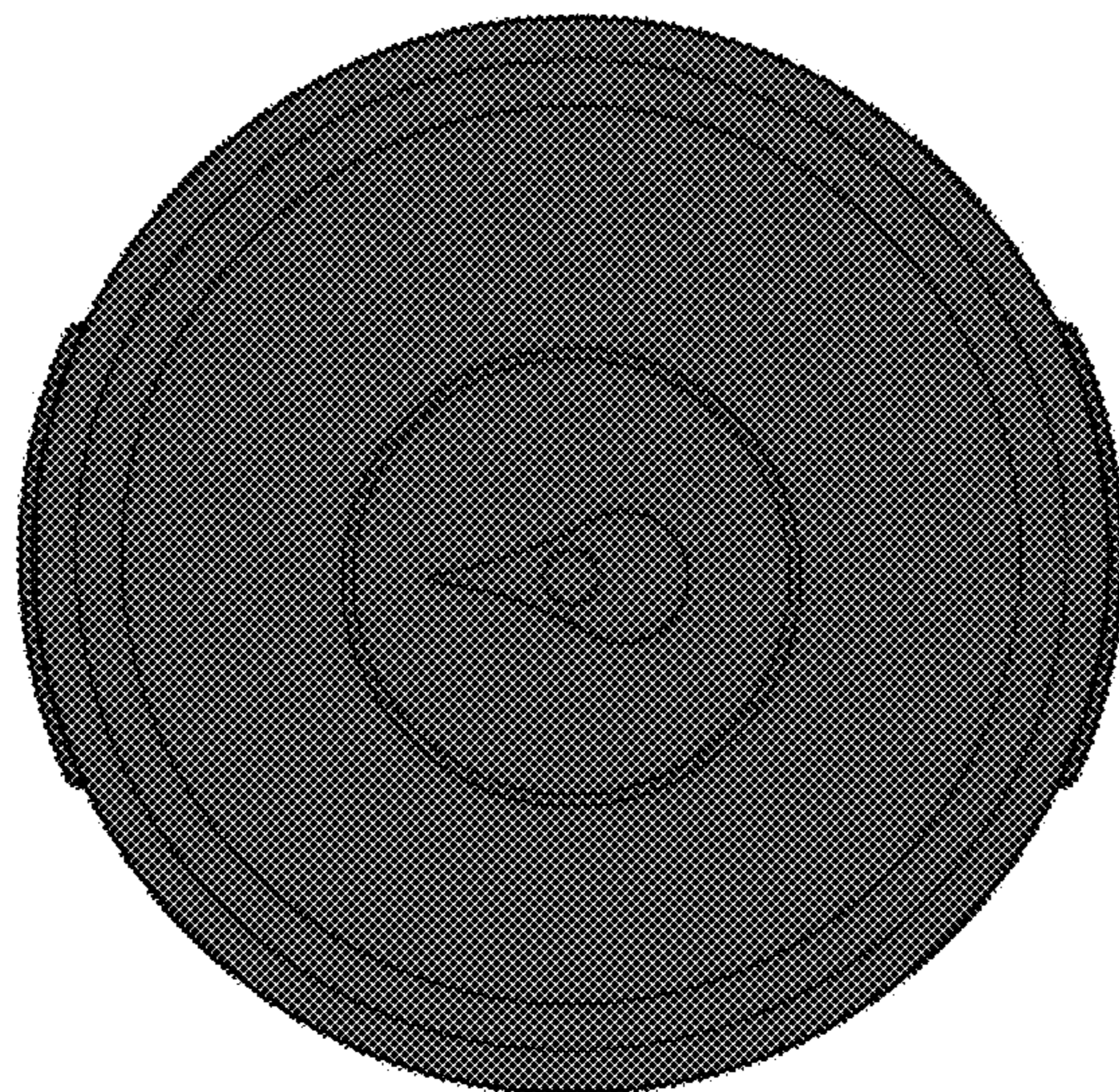


FIG. 16

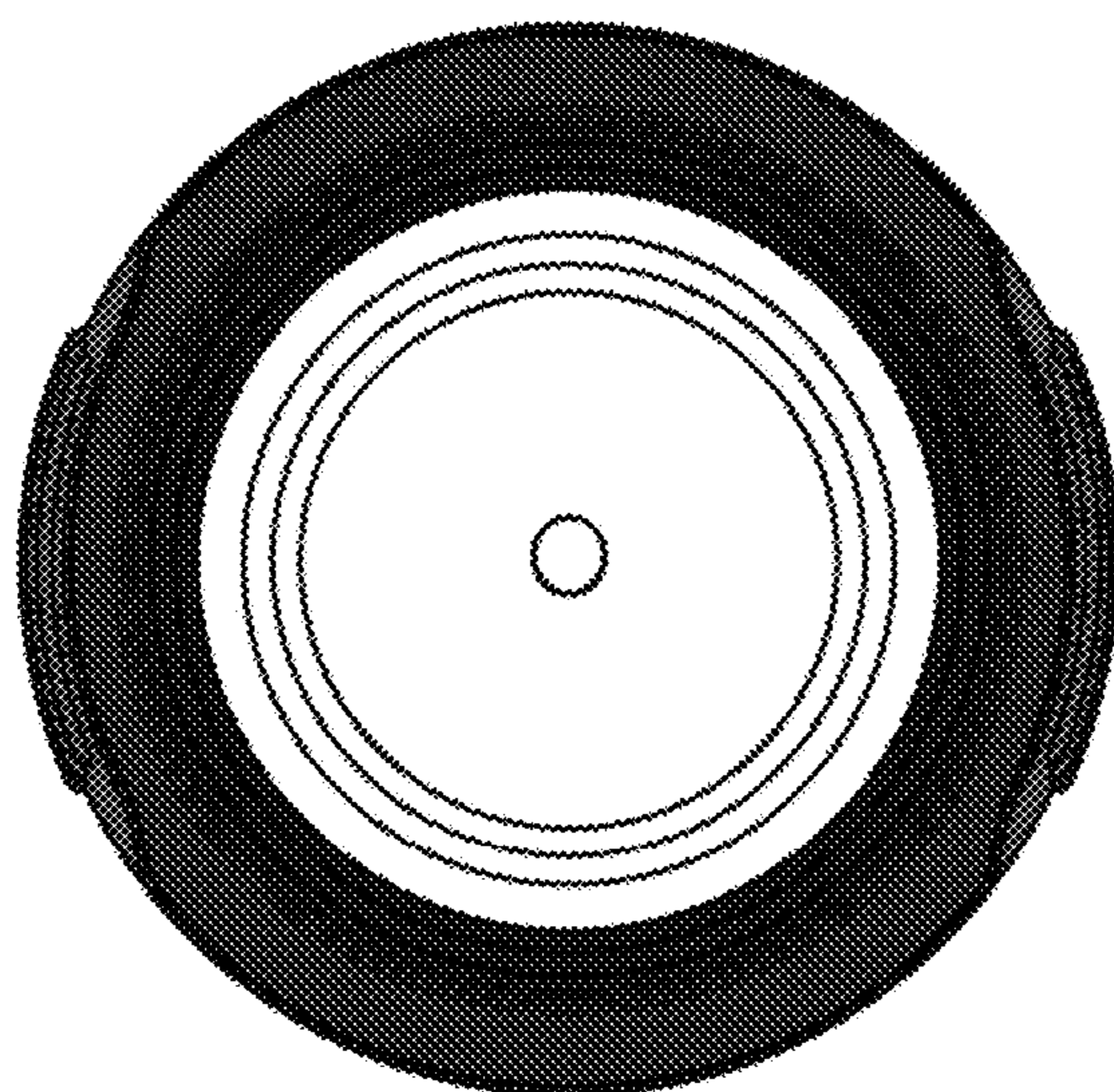


FIG. 17

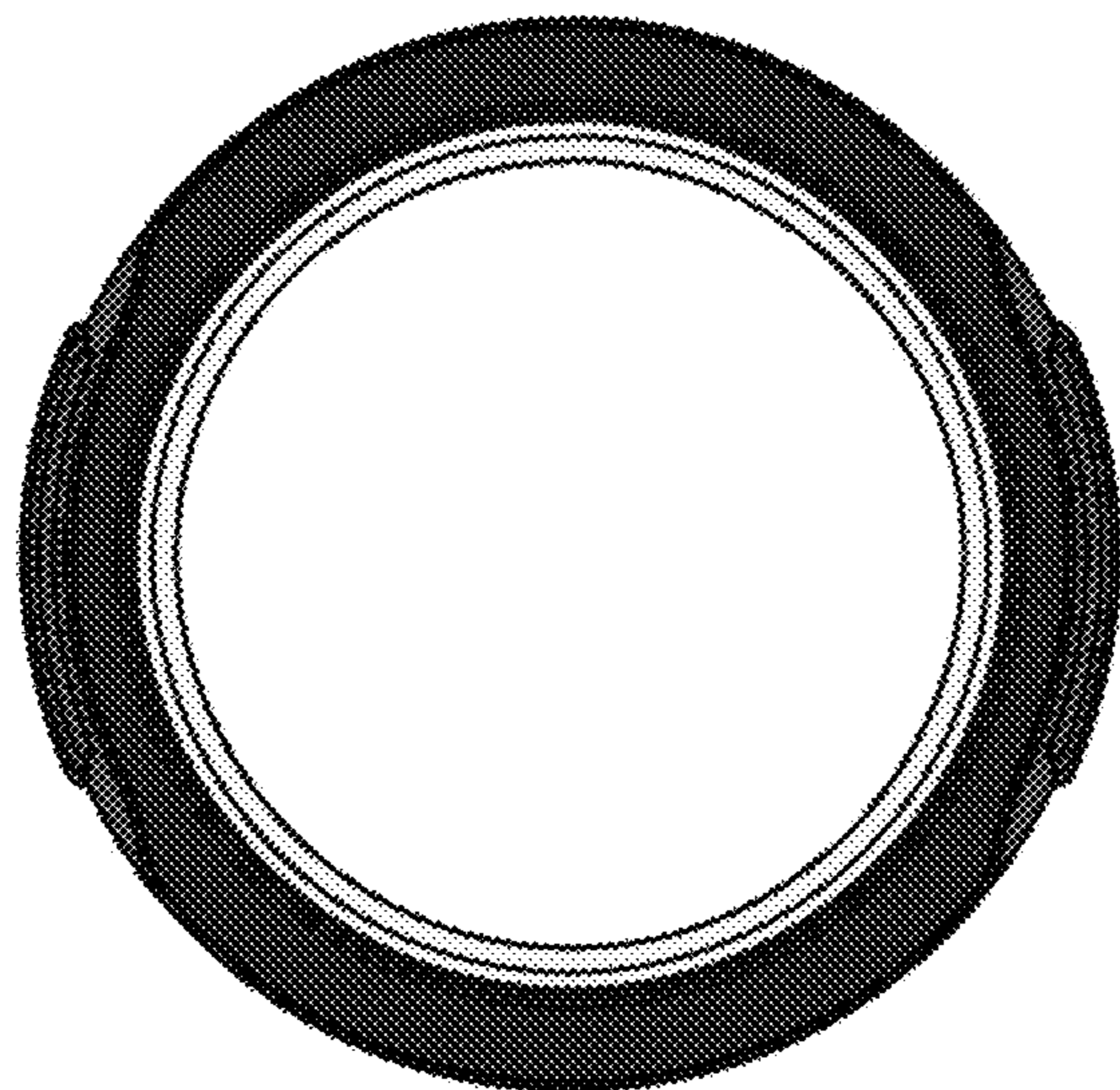


FIG. 18

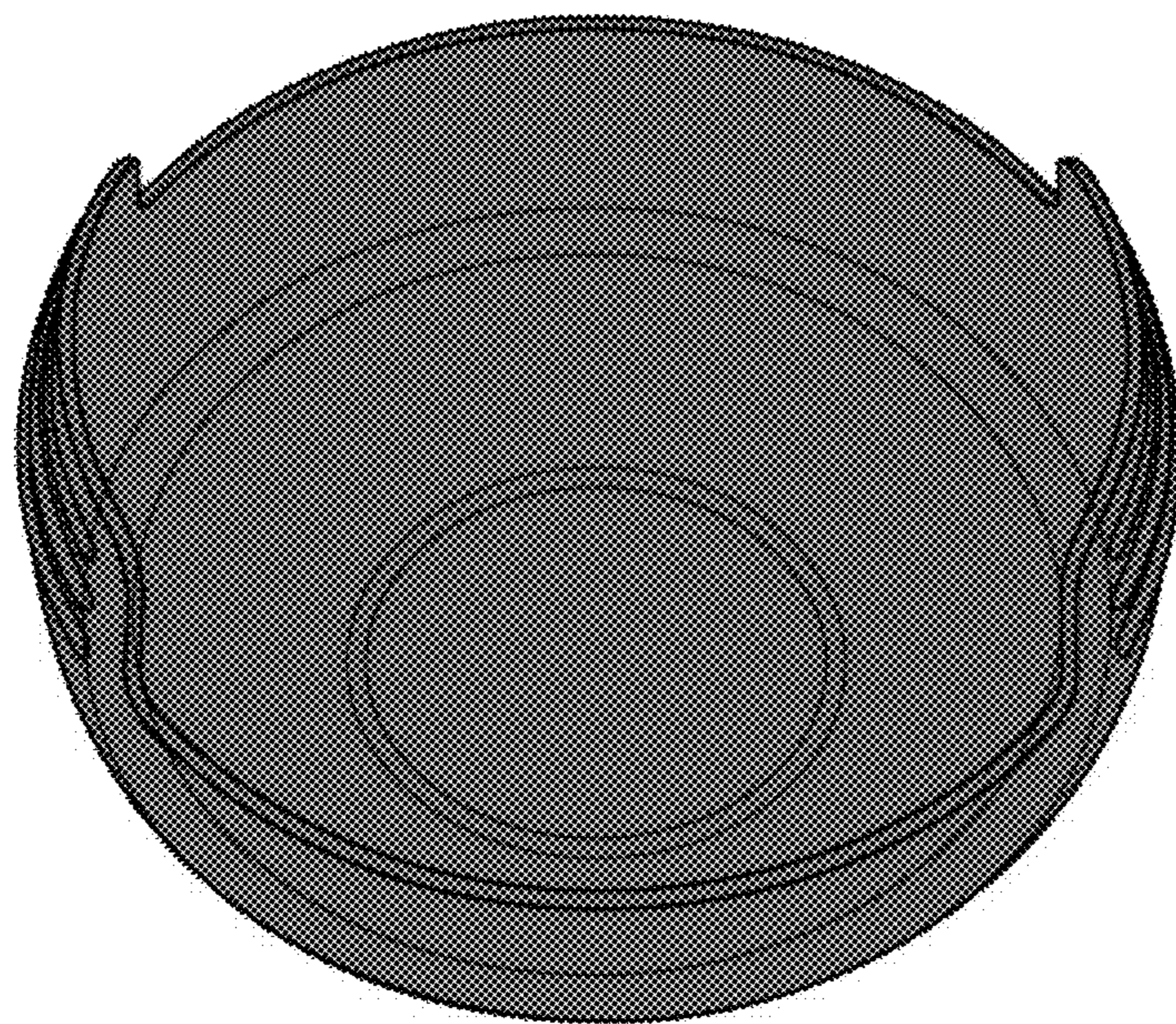


FIG. 19