



US00D735320S

(12) **United States Design Patent**
Marshall

(10) **Patent No.:** **US D735,320 S**
(45) **Date of Patent:** **** Jul. 28, 2015**

(54) **ENTERAL FEEDING PUMP CASSETTE**
(71) Applicant: **Zevex, Inc.**, Salt Lake City, UT (US)
(72) Inventor: **Michael Marshall**, Herriman, UT (US)
(73) Assignee: **ZEVEX, INC.**, Salt Lake City, UT (US)
(**) Term: **14 Years**

D507,647 S 7/2005 Beck et al.
D513,320 S * 12/2005 Stubkjaer D24/111
D523,553 S 6/2006 Beck et al.
D536,783 S 2/2007 Cise et al.
7,934,912 B2 * 5/2011 Voltenburg et al. 417/477.2
8,062,008 B2 * 11/2011 Voltenburg et al. 417/477.2
D672,455 S 12/2012 Beck
8,377,000 B2 * 2/2013 Pfouts 604/151
8,377,001 B2 * 2/2013 Pfouts et al. 604/151
8,425,470 B2 4/2013 Beck et al.
8,491,285 B2 * 7/2013 Haser et al. 417/477.2

(21) Appl. No.: **29/475,167**
(22) Filed: **Nov. 30, 2013**
(51) **LOC (10) Cl.** **24-02**
(52) **U.S. Cl.**
USPC **D24/111**
(58) **Field of Classification Search**
USPC D24/107, 111, 127, 185, 186, 232
CPC A61M 2205/702; A61M 2202/0482;
A61M 5/14232; A61M 5/142; A61M 2205/12;
A61M 2205/121
See application file for complete search history.

* cited by examiner

Primary Examiner — Deanna L Pratt
Assistant Examiner — Lilyana Bekic
(74) *Attorney, Agent, or Firm* — Hodgson Russ LLP

(56) **References Cited**

U.S. PATENT DOCUMENTS

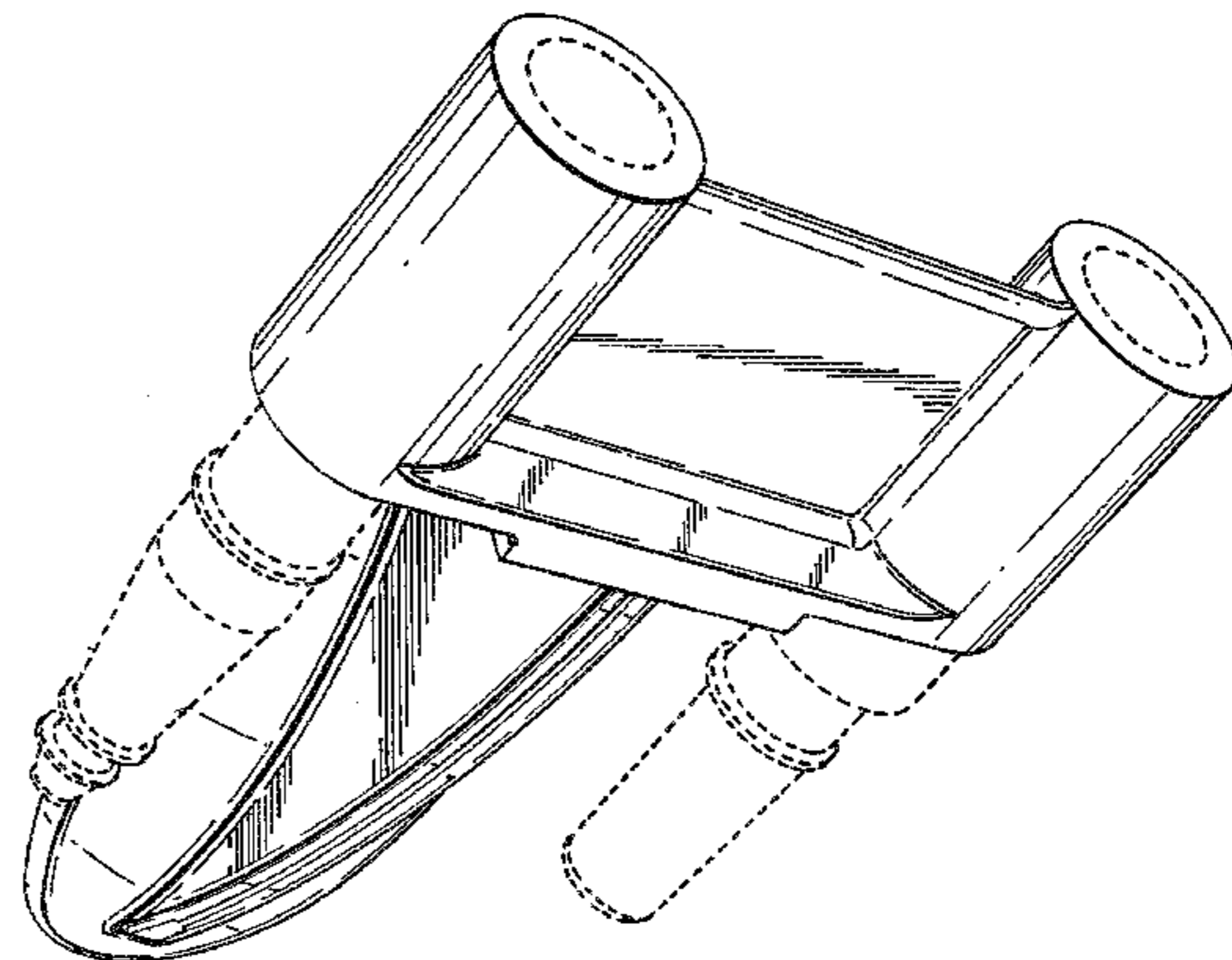
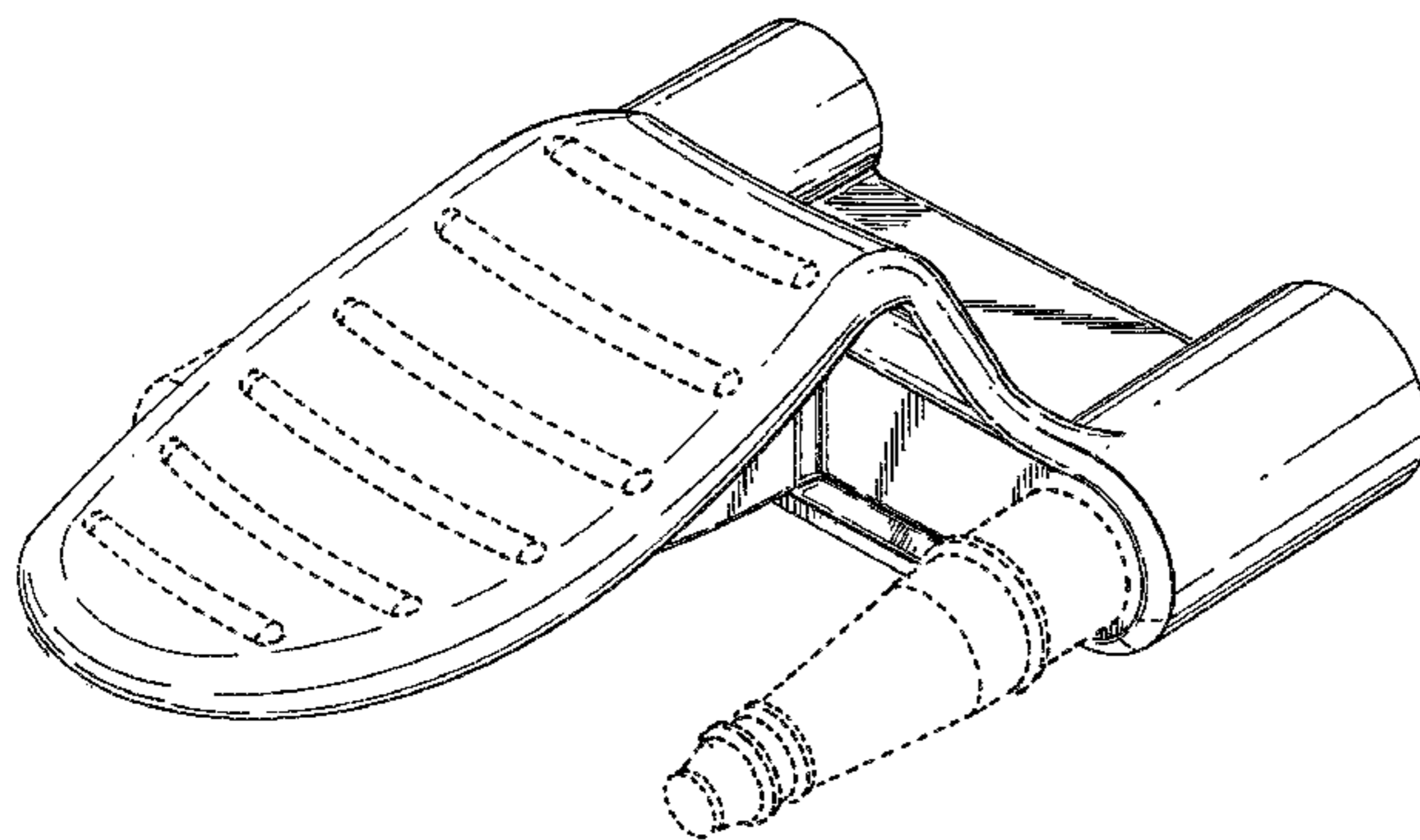
D305,150 S * 12/1989 Pastrone D24/111
D370,727 S * 6/1996 Atkinson et al. D24/111
D455,489 S 4/2002 Beck et al.
6,494,694 B2 * 12/2002 Lawless et al. 417/479
6,523,414 B1 * 2/2003 Malmstrom et al. 73/705
D476,414 S * 6/2003 Buck et al. D24/111
6,659,976 B2 * 12/2003 Beck et al. 604/67
D501,924 S 2/2005 Cise et al.
D504,506 S 4/2005 Beck et al.
D504,507 S * 4/2005 Ziegler et al. D24/111
D505,199 S 5/2005 Beck et al.

(57) **CLAIM**
The ornamental design for an enteral feeding pump cassette, as shown and described.

DESCRIPTION

FIG. 1 is a perspective view of an enteral feeding pump cassette showing my new design;
FIG. 2 is another perspective view thereof;
FIG. 3 is a top view thereof;
FIG. 4 is a bottom view thereof;
FIG. 5 is a right side view thereof;
FIG. 6 is a left side view thereof
FIG. 7 is a front view thereof; and,
FIG. 8 is a rear view thereof.
The broken lines in the drawings illustrate portions of the enteral feeding pump cassette which form no part of the claimed design.

1 Claim, 3 Drawing Sheets



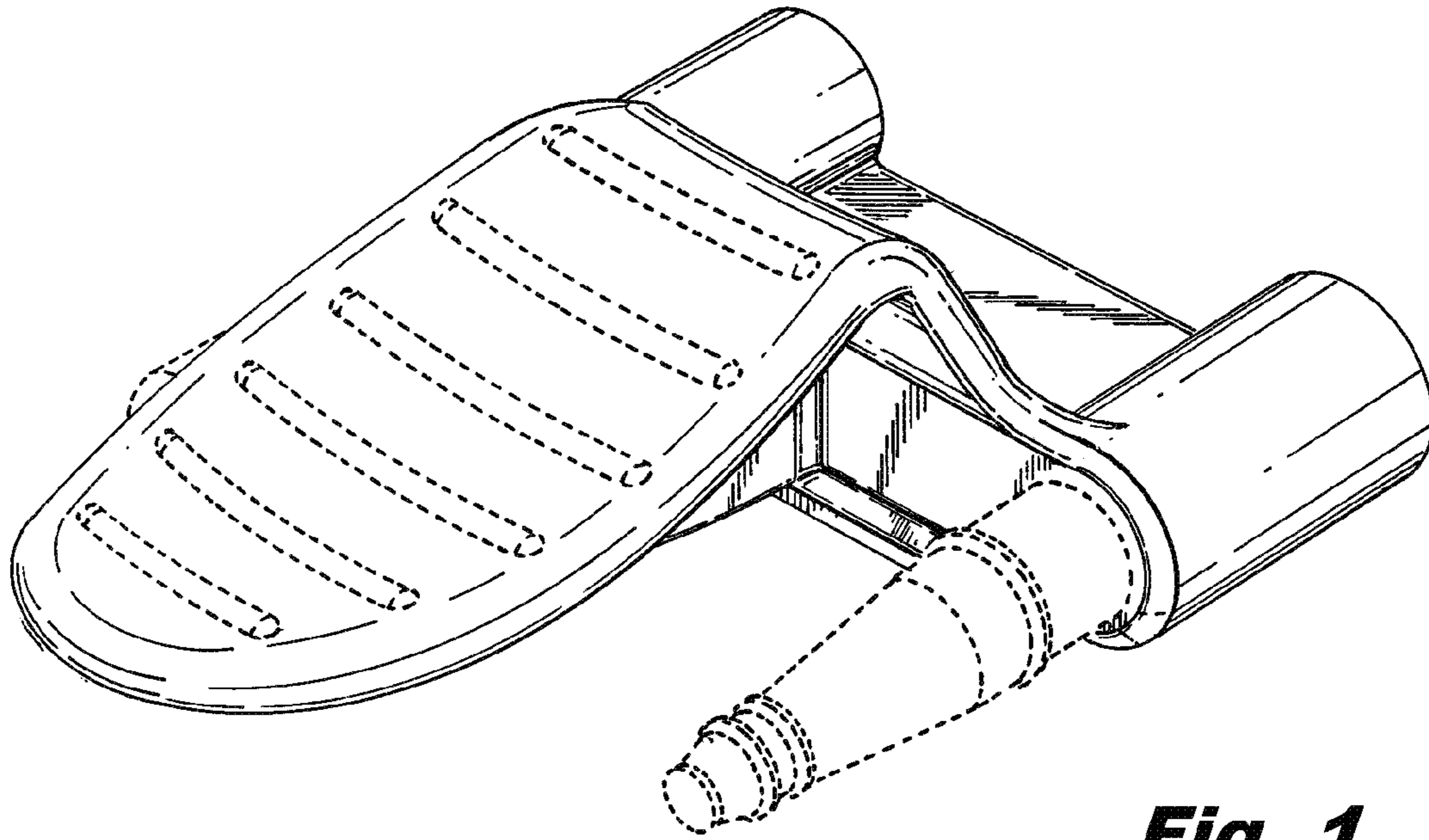


Fig. 1

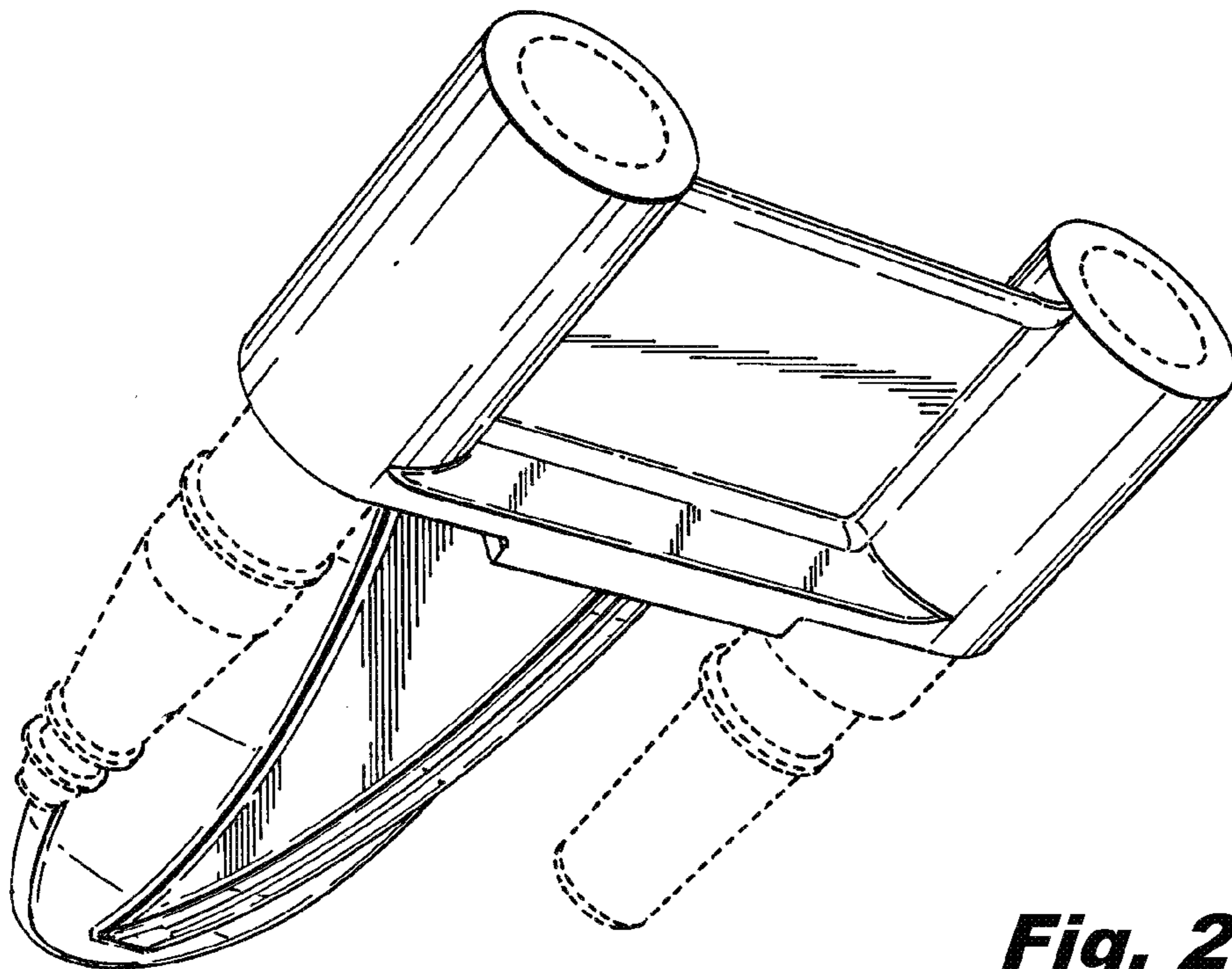


Fig. 2

Fig. 3

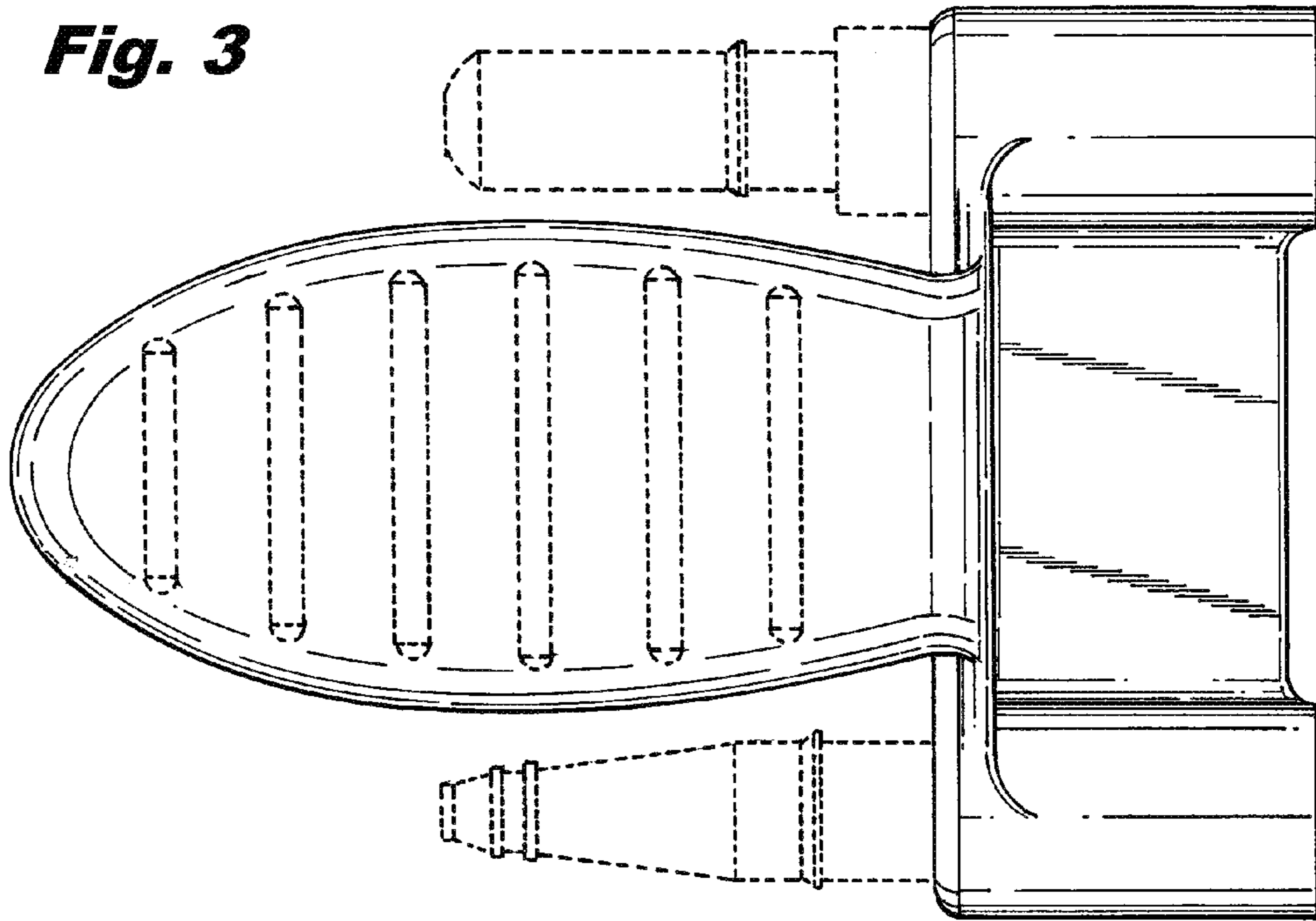


Fig. 4

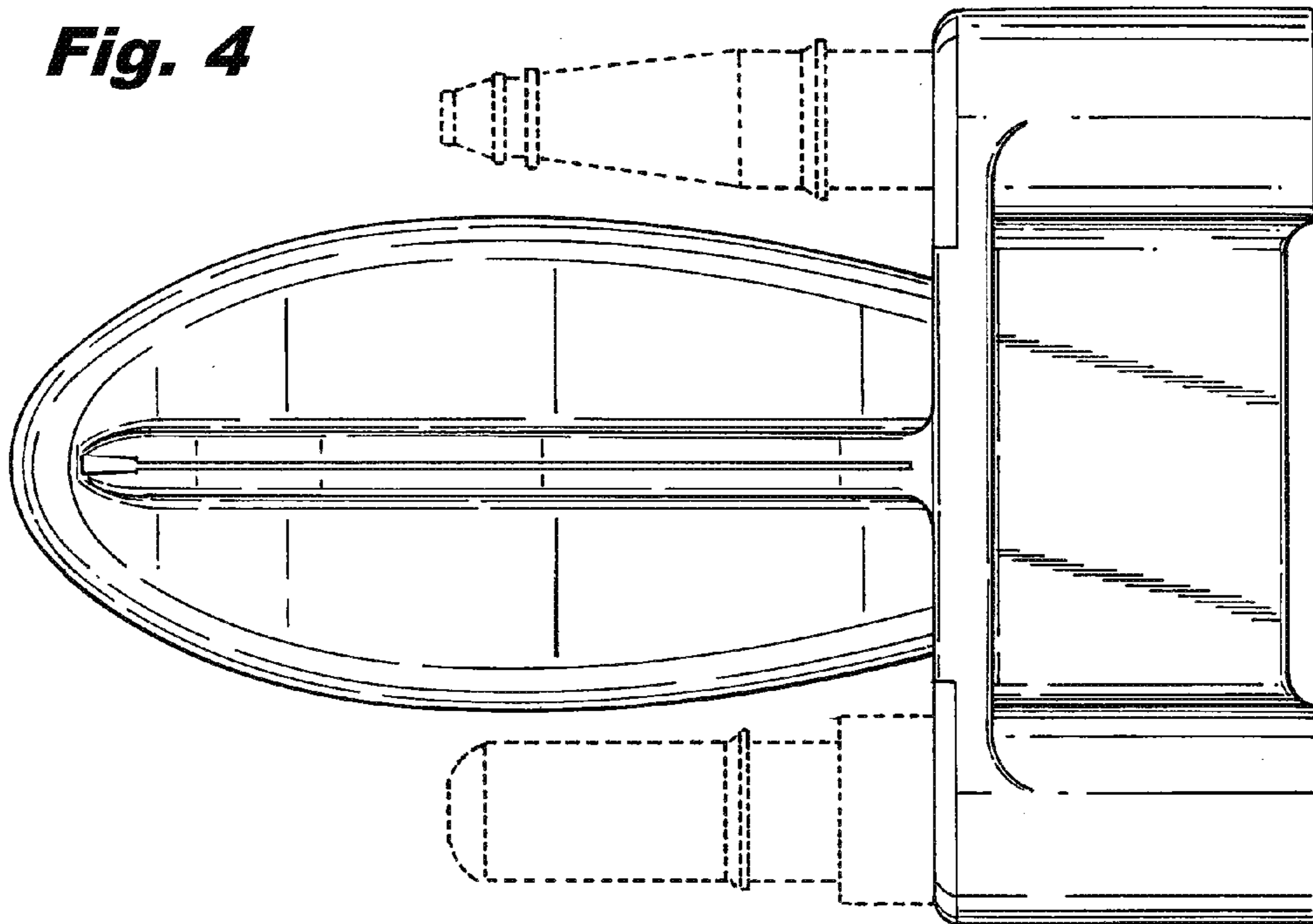


Fig. 5

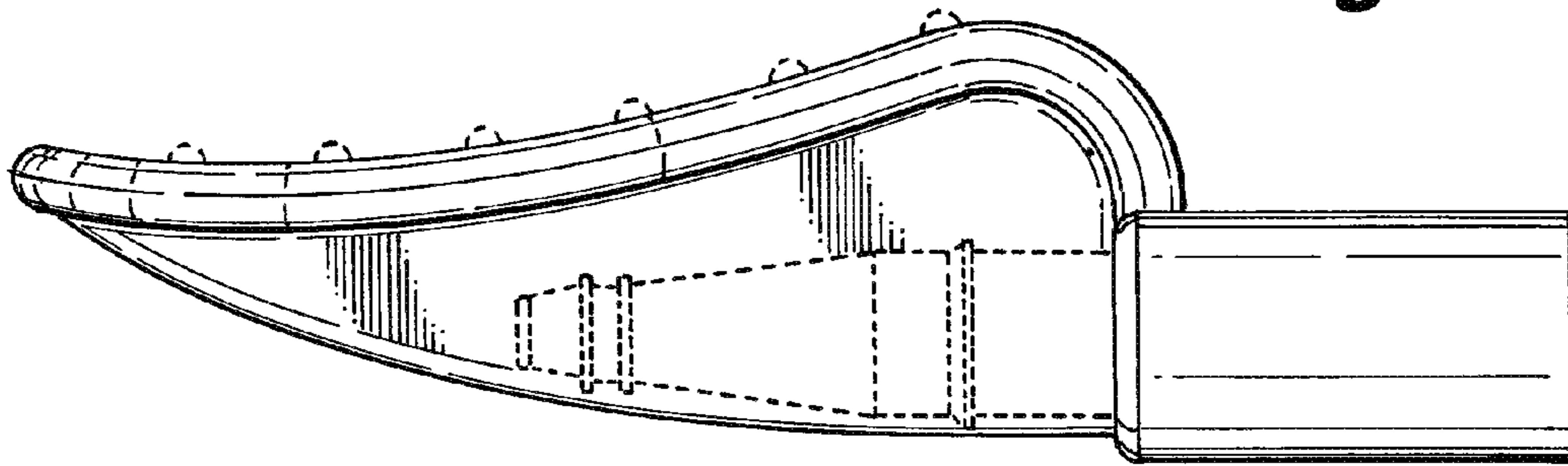


Fig. 6

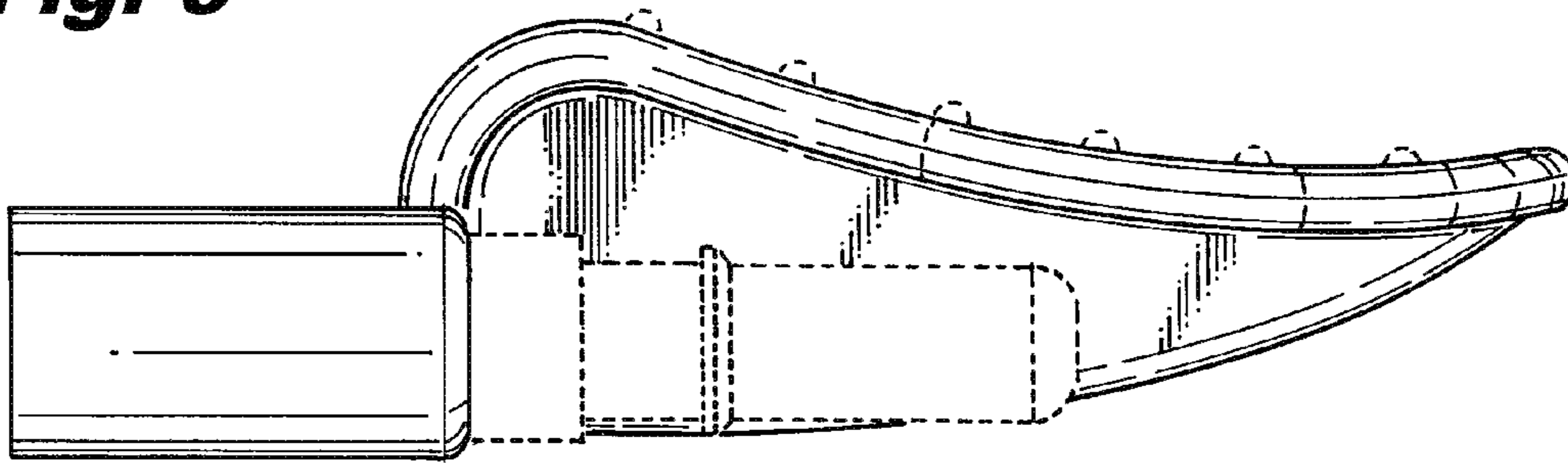


Fig. 7

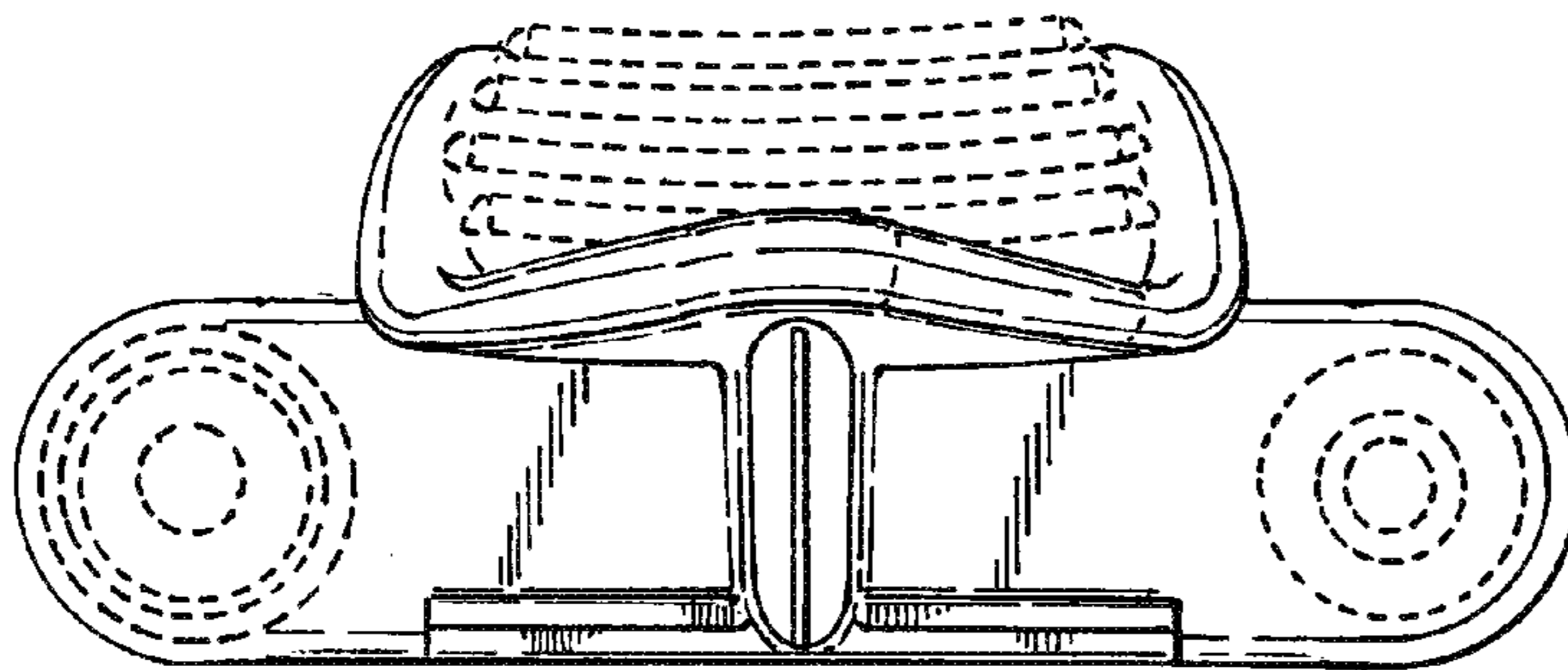


Fig. 8

