

US00D735313S

(12) **United States Design Patent**
Horiguchi

(10) **Patent No.:** **US D735,313 S**
(45) **Date of Patent:** **** Jul. 28, 2015**

(54) **EXHAUST CLEANER FOR FLUID PRESSURE DEVICE**

(71) Applicant: **Hiroyuki Horiguchi**, Tsukubamirai (JP)

(72) Inventor: **Hiroyuki Horiguchi**, Tsukubamirai (JP)

(73) Assignee: **SMC Corporation**, Chiyoda-ku, Tokyo (JP)

(**) Term: **14 Years**

(21) Appl. No.: **29/478,536**

(22) Filed: **Jan. 6, 2014**

(30) **Foreign Application Priority Data**

Aug. 30, 2013 (JP) 2013-020072

(51) **LOC (10) Cl.** **23-04**

(52) **U.S. Cl.**
USPC **D23/365**

(58) **Field of Classification Search**

USPC D23/365, 363, 358, 386, 354, 341, 364,
D23/209; 55/385, 502, 497, 498, 506, 505,
55/521, 495, 422, 493, DIG. 30;
210/497.01, DIG. 17; D12/194; D15/5,
D15/9; 138/37-39, 114; 181/227, 223;
D9/549, 558, 559, 560; D22/108
CPC Y02T 10/47; Y02T 10/24; Y02T 10/20;
F01N 13/009; C02F 9/00

See application file for complete search history.

(56) **References Cited**

U.S. PATENT DOCUMENTS

D254,145 S * 2/1980 Wilcock D23/209
D261,501 S * 10/1981 Schenker D12/194
D352,544 S * 11/1994 Golan D23/209
D357,058 S * 4/1995 Engelhard D23/209
D372,069 S * 7/1996 Brancazio et al. D23/209
D417,252 S * 11/1999 Kay D22/108
D448,448 S * 9/2001 Hughes et al. D23/209
D458,570 S * 6/2002 Wang D12/194

D478,146 S * 8/2003 Wygant D22/108
D492,386 S * 6/2004 Kamata et al. D23/209
D536,416 S * 2/2007 Zabinski et al. D23/209
D559,349 S * 1/2008 Brown D23/209
D587,361 S * 2/2009 Sakairi D23/365

(Continued)

Primary Examiner — David Muller

Assistant Examiner — Nathan Johnston

(74) *Attorney, Agent, or Firm* — Yokoi & Co., U.S.A.;
Toshiyuki Yokoi

(57) **CLAIM**

The ornamental design for an exhaust cleaner for fluid pressure device, as shown and described.

DESCRIPTION

FIG. 1 shows a front view of an exhaust cleaner for fluid pressure device showing my new design;

FIG. 2 shows a rear view thereof;

FIG. 3 shows a right side view thereof;

FIG. 4 shows a left side view thereof;

FIG. 5 shows a top view thereof;

FIG. 6 shows a bottom view thereof;

FIG. 7 shows a bottom, front and left side perspective view thereof;

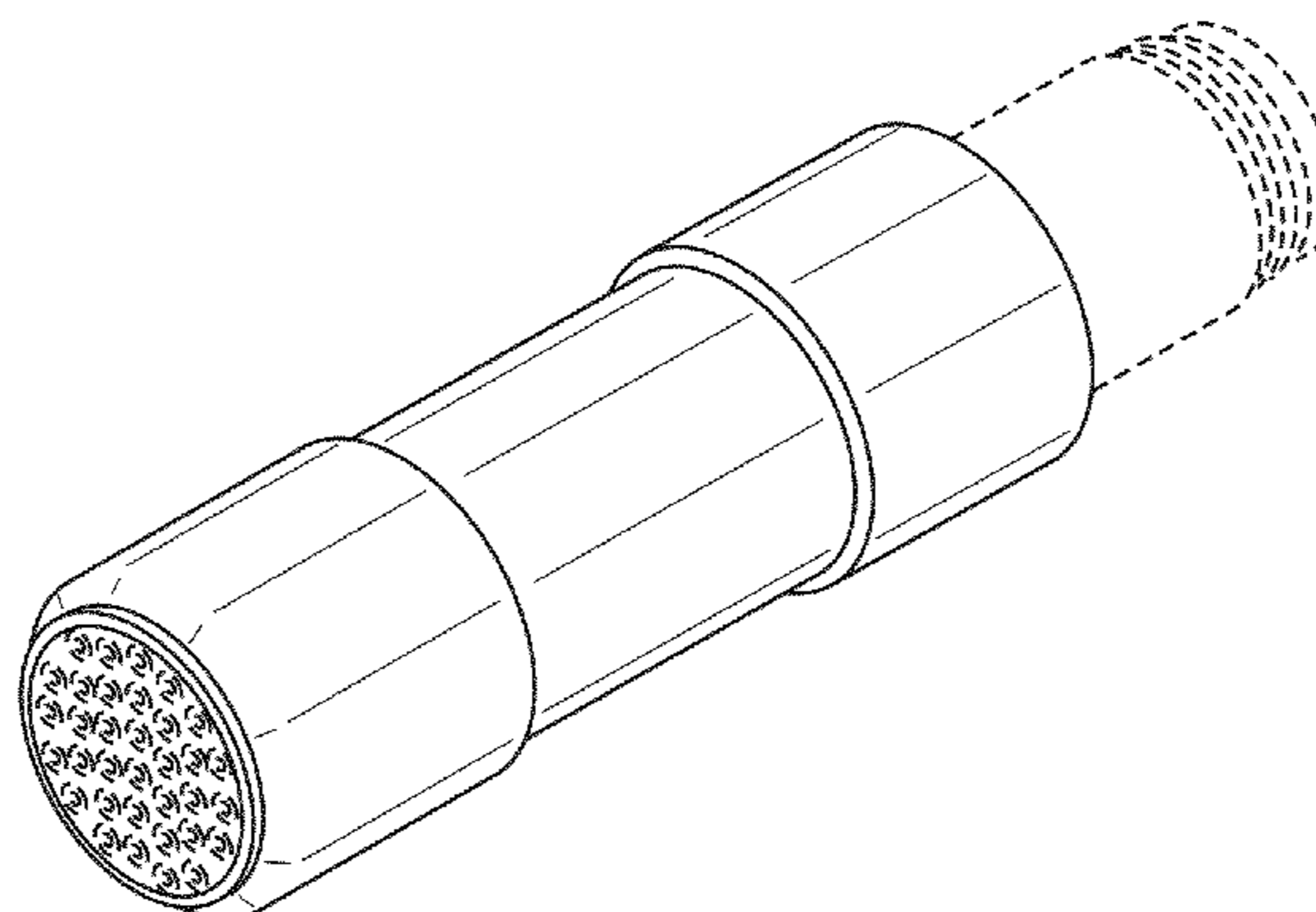
FIG. 8 shows a top, front and right side perspective view thereof; and,

FIG. 9 shows an enlarged cross-sectional view thereof, taken along line 9-9 in FIG. 1.

The portions of the design shown in broken lines in FIGS. 1-9 are for the purpose of illustrating the environment only and form no part of the claimed design.

The present article is an exhaust cleaner used for cleaning exhaust air of a fluid pressure device. The exhaust cleaner includes hollow fiber membranes. A joint located on the right side end in the cross-sectional drawing is connected to an exhaust port of the fluid pressure device so as to clean the exhaust air fed to the exhaust cleaner by the hollow fiber membranes and to discharge the exhaust air from an opening of the hollow fiber membranes located on the left side end.

1 Claim, 5 Drawing Sheets



(56)

References Cited

U.S. PATENT DOCUMENTS

D589,601 S * 3/2009 Horiguchi D23/365
D589,602 S * 3/2009 Horiguchi D23/365
D600,775 S * 9/2009 Schmitt et al. D23/209
D643,442 S * 8/2011 Sato et al. D15/9
D662,827 S * 7/2012 Watabe D9/529

D676,061 S * 2/2013 Beierer et al. D15/5
D682,974 S * 5/2013 Honigmann D22/108
D683,810 S * 6/2013 Buie, II D22/108
D712,007 S * 8/2014 Reid D23/209
D712,507 S * 9/2014 Hammerback D23/209
D720,031 S * 12/2014 Buffoni D22/108
8,974,569 B2 * 3/2015 Matula et al. 55/482
D726,870 S * 4/2015 Ruprecht D23/209

* cited by examiner

FIG. 1

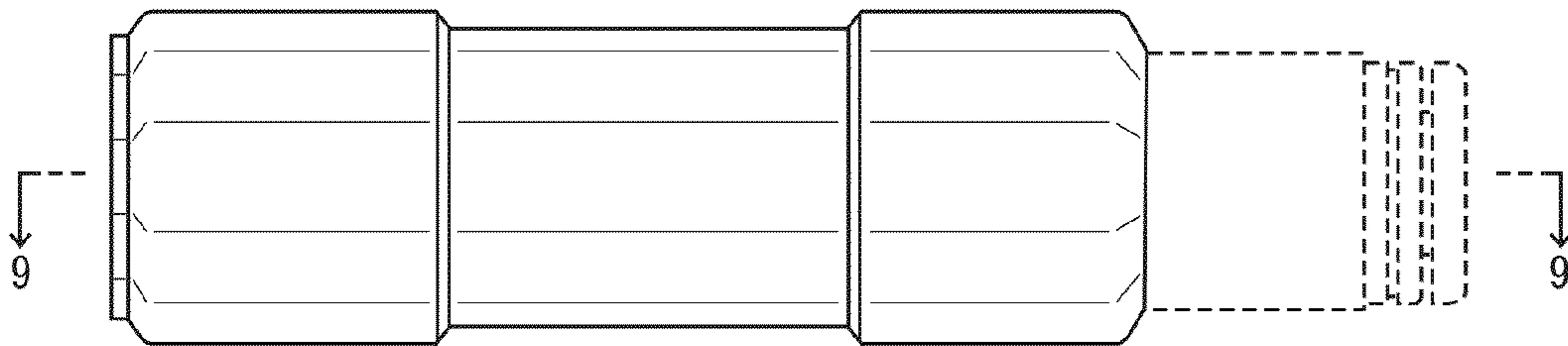


FIG. 2

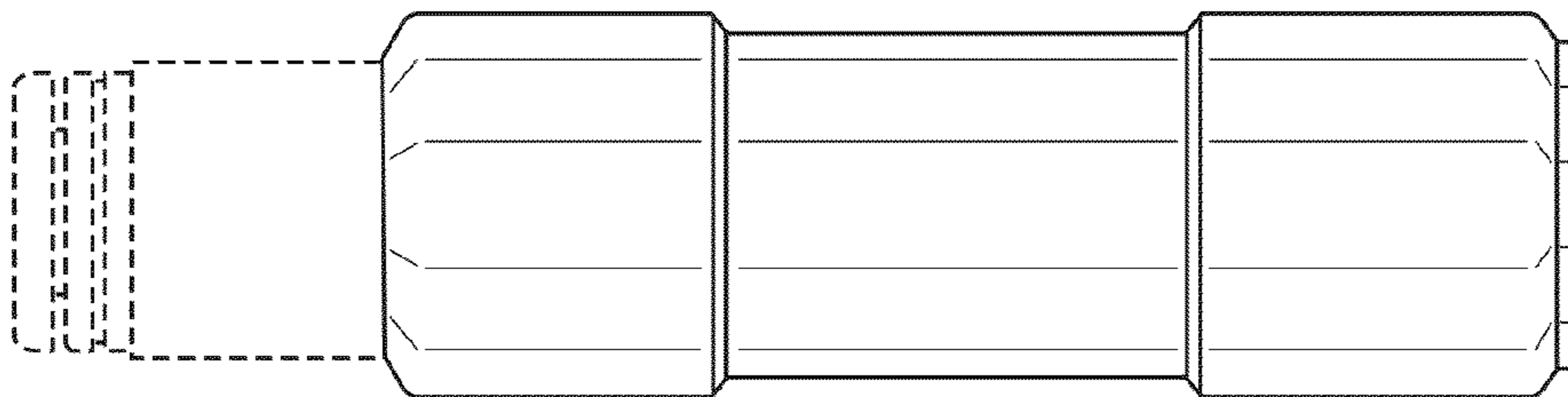


FIG. 3

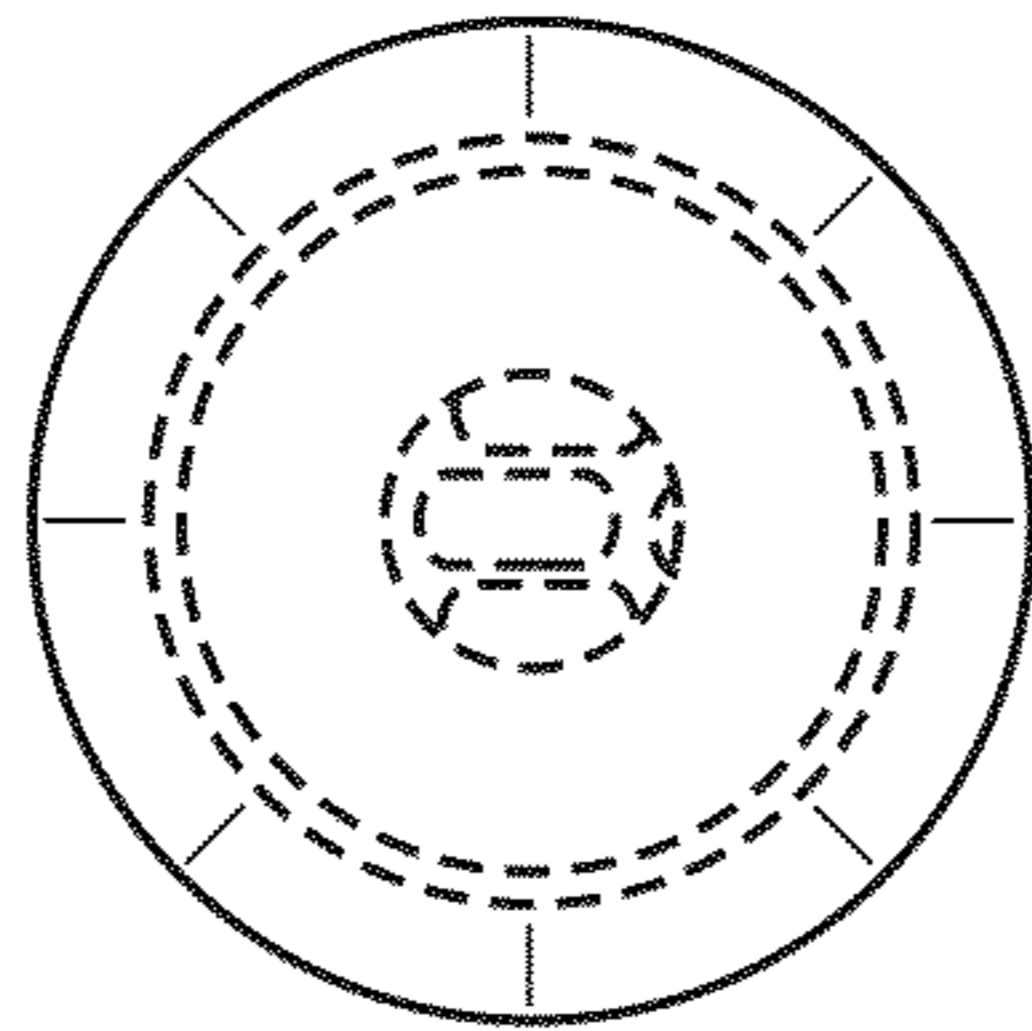


FIG. 4

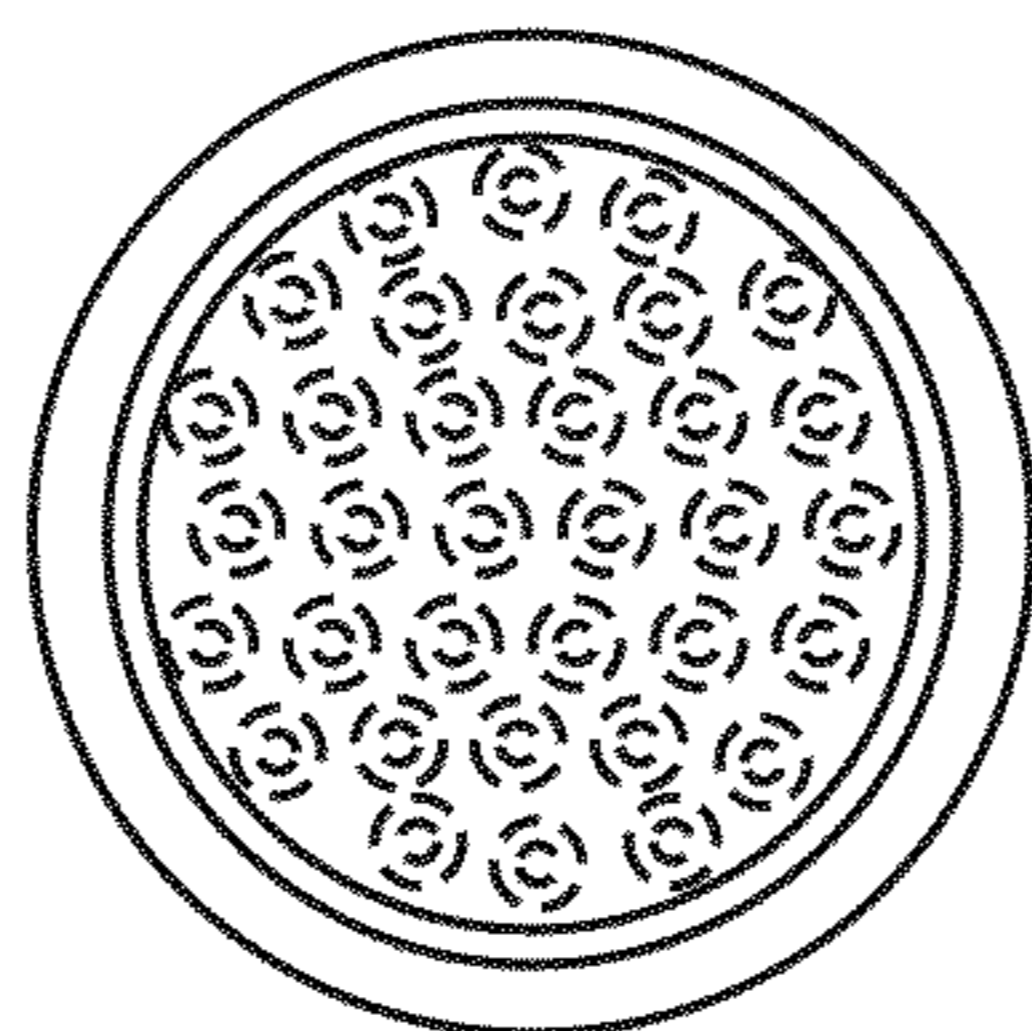


FIG. 5

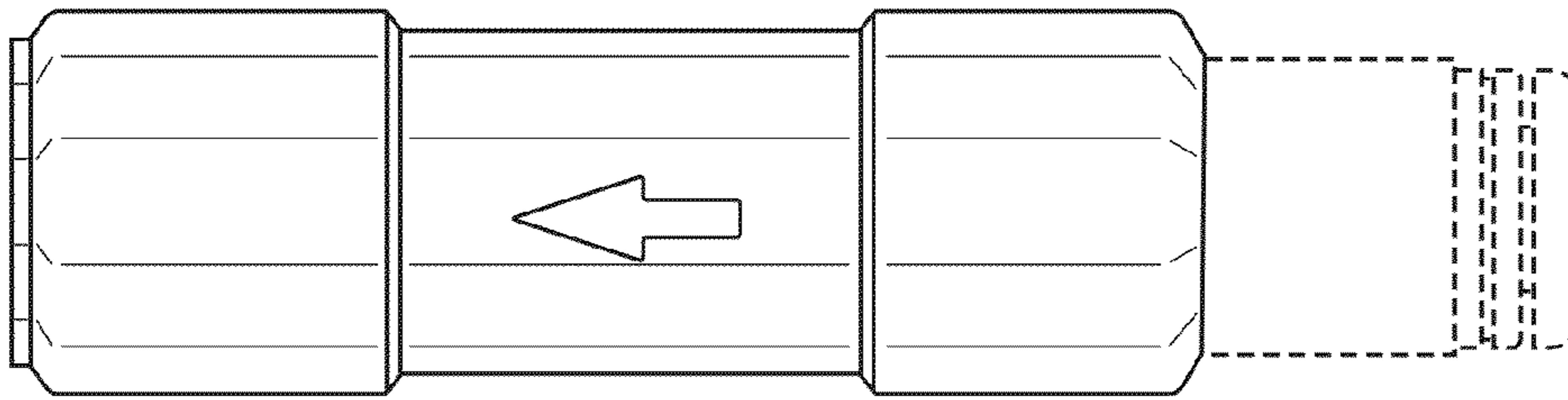


FIG. 6

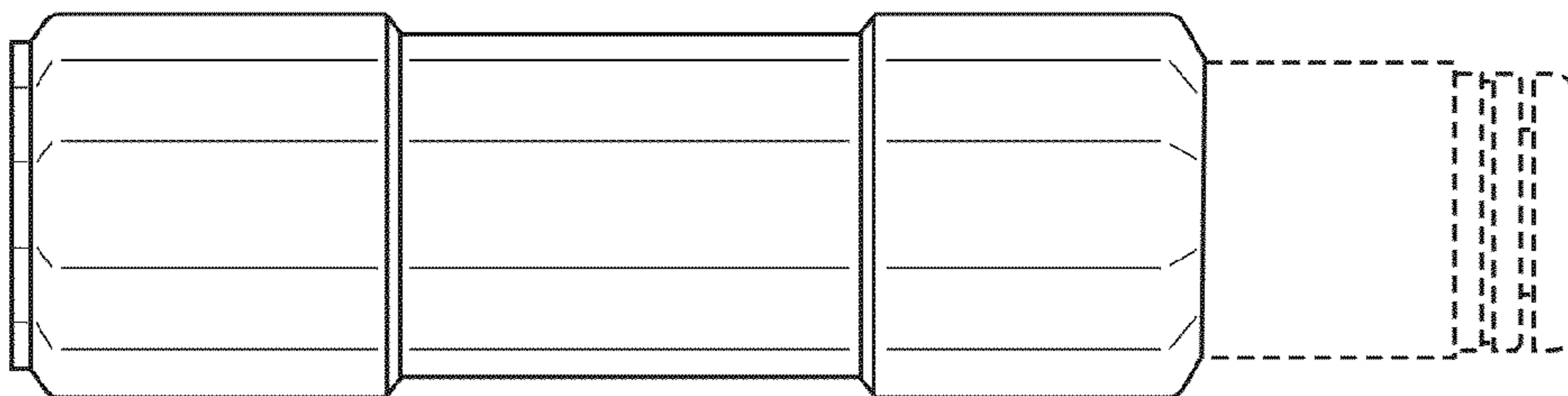


FIG. 7

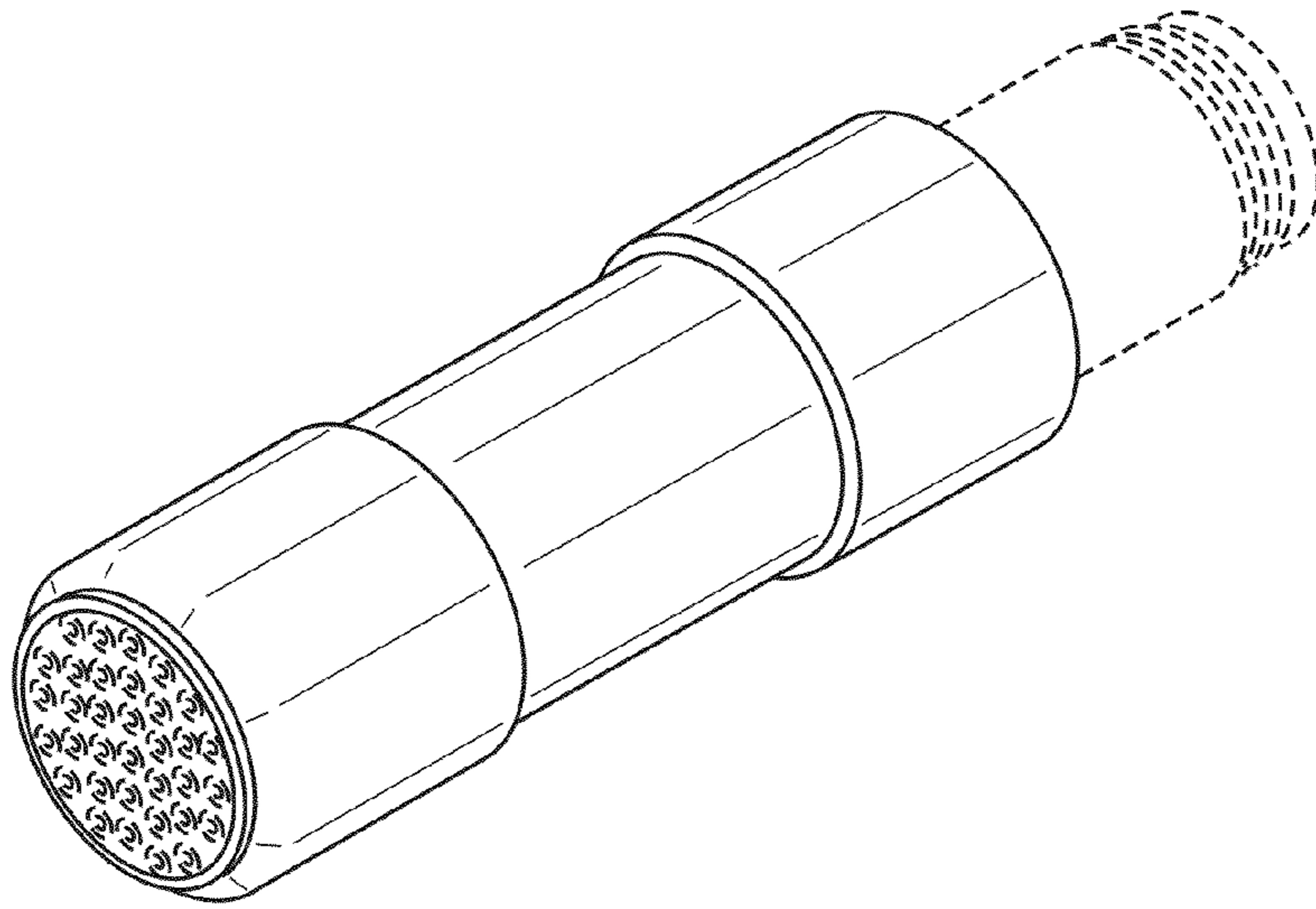


FIG. 8

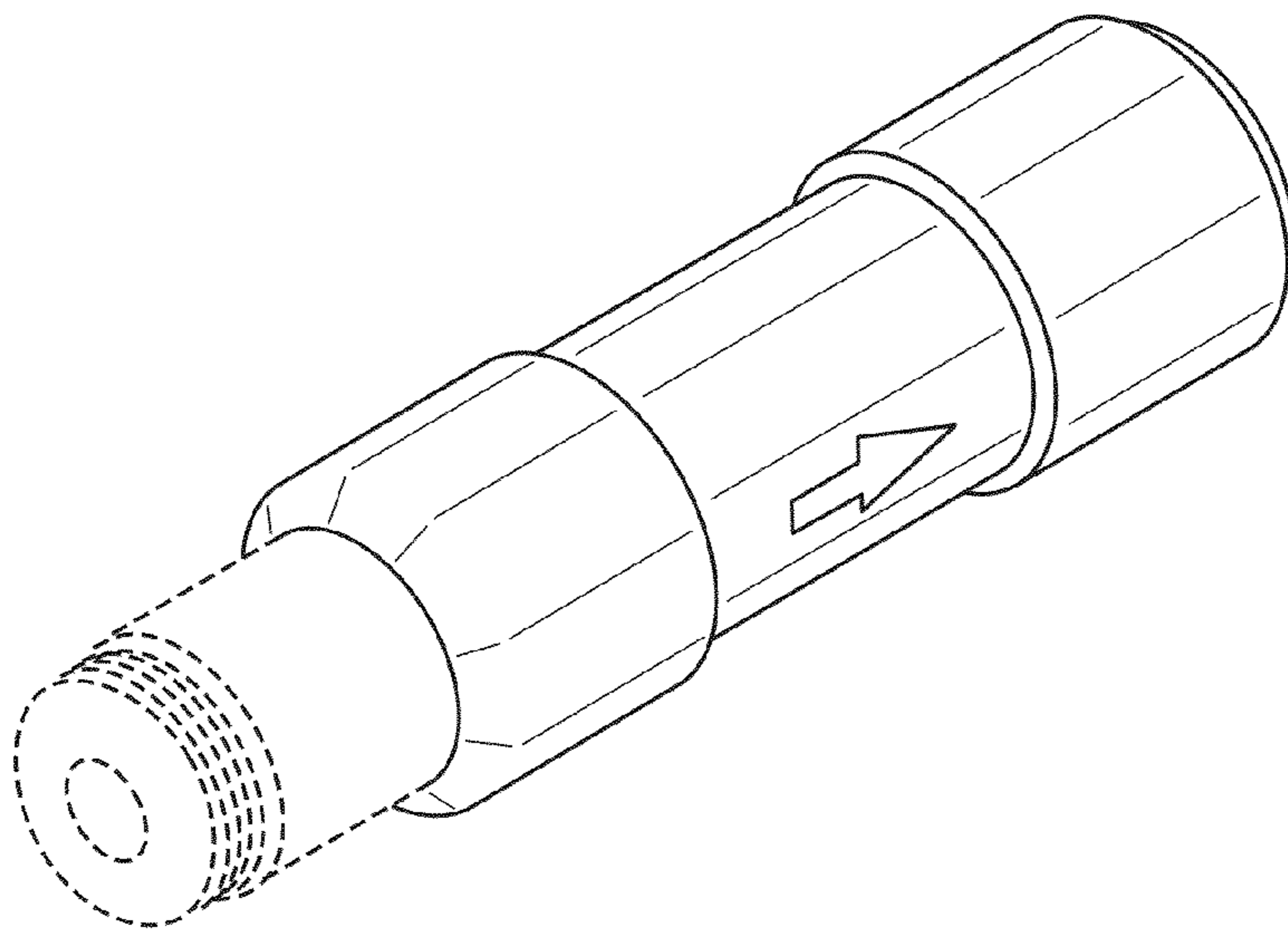


FIG. 9

