



US00D735312S

(12) **United States Design Patent**
Horiguchi

(10) **Patent No.:** **US D735,312 S**
(45) **Date of Patent:** **** Jul. 28, 2015**

(54) **EXHAUST CLEANER FOR FLUID PRESSURE DEVICE**

(71) Applicant: **Hiroyuki Horiguchi**, Tsukubamirai (JP)

(72) Inventor: **Hiroyuki Horiguchi**, Tsukubamirai (JP)

(73) Assignee: **SMC Corporation**, Chiyoda-ku, Tokyo (JP)

(**) Term: **14 Years**

(21) Appl. No.: **29/478,534**

(22) Filed: **Jan. 6, 2014**

(30) **Foreign Application Priority Data**

Aug. 30, 2013 (JP) 2013-020070

(51) **LOC (10) Cl.** **23-04**

(52) **U.S. Cl.**
USPC **D23/365**

(58) **Field of Classification Search**

USPC D23/365, 363, 358, 386, 354, 341, 364,
D23/209; 55/385, 502, 497, 498, 506, 505,
55/521, 495, 422, 493, DIG. 30;
210/497.01, DIG. 17; D12/194; D15/5,
D15/9; 138/37-39, 114; 181/227, 223;
D9/549, 558, 559, 560; D22/108
CPC Y02T 10/47; Y02T 10/24; F01N 13/0009;
C02F 9/00

See application file for complete search history.

(56) **References Cited**

U.S. PATENT DOCUMENTS

D254,145 S * 2/1980 Wilcock D23/209
D261,501 S * 10/1981 Schenker D12/194
D352,544 S * 11/1994 Golan D23/209
D357,058 S * 4/1995 Engelhard D23/209
D372,069 S * 7/1996 Brancazio et al. D23/209
D417,252 S * 11/1999 Kay D22/108
D448,448 S * 9/2001 Hughes et al. D23/209
D458,570 S * 6/2002 Wang D12/194

D478,146 S * 8/2003 Wygant D22/108
D492,386 S * 6/2004 Kamata et al. D23/209
D536,416 S * 2/2007 Zabinski et al. D23/209
D559,349 S * 1/2008 Brown D23/209
D587,361 S * 2/2009 Sakairi D23/365
D589,601 S * 3/2009 Horiguchi D23/365
D589,602 S * 3/2009 Horiguchi D23/365
D600,775 S * 9/2009 Schmitt et al. D23/209
D643,442 S * 8/2011 Sato et al. D15/9
D662,827 S * 7/2012 Watabe D9/529
D676,061 S * 2/2013 Beierer et al. D15/5
D682,974 S * 5/2013 Honigmann D22/108
D683,810 S * 6/2013 Buie, II D22/108
D712,007 S * 8/2014 Reid D23/209

(Continued)

Primary Examiner — David Muller

Assistant Examiner — Nathan Johnston

(74) *Attorney, Agent, or Firm* — Yokoi & Co., U.S.A.;
Toshiyuki Yokoi

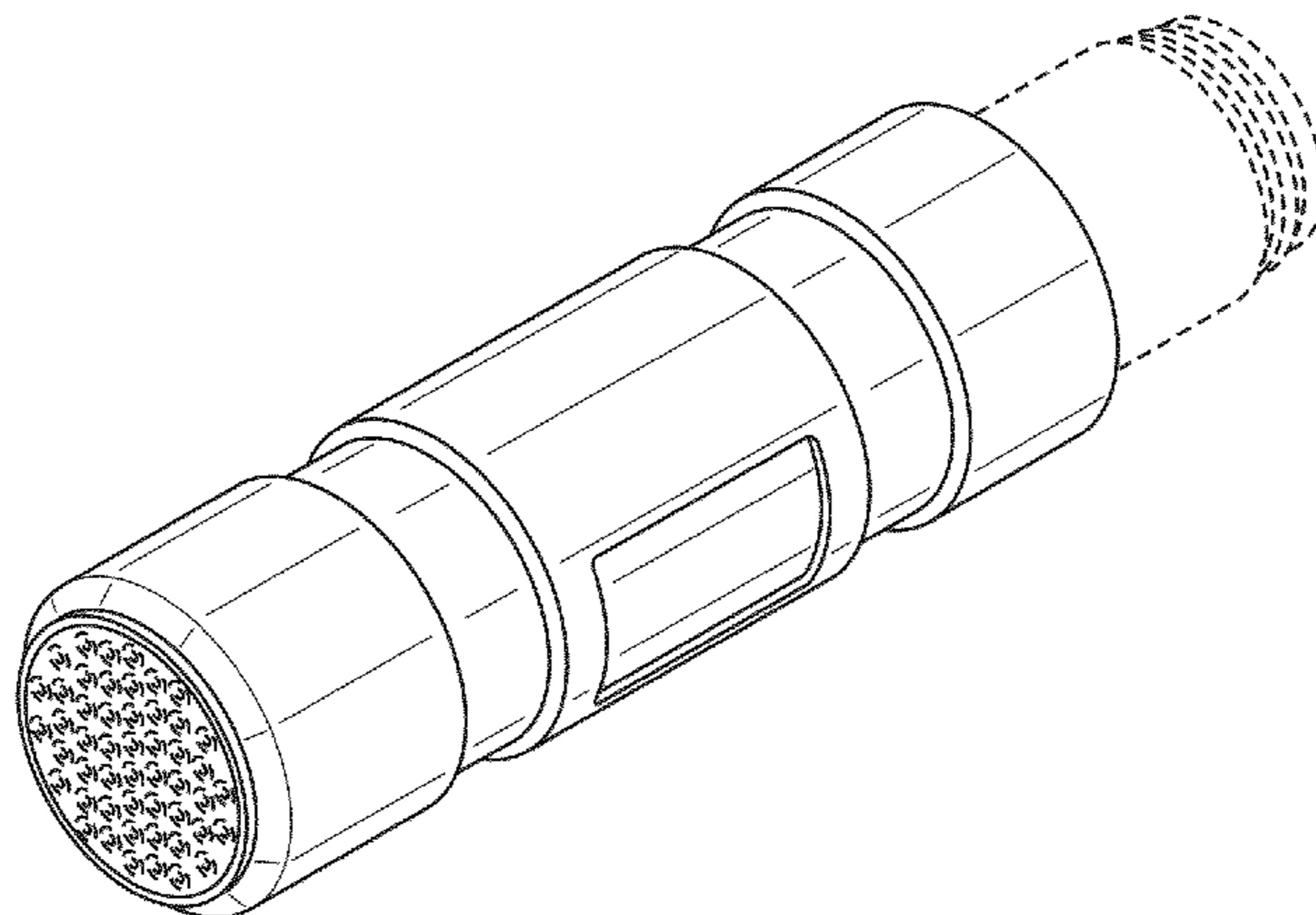
(57) **CLAIM**

The ornamental design for an exhaust cleaner for fluid pressure device, as shown and described.

DESCRIPTION

FIG. 1 shows a front view of an exhaust cleaner for fluid pressure device showing my new design;
FIG. 2 shows a rear view thereof;
FIG. 3 shows a right side view thereof;
FIG. 4 shows a left side view thereof;
FIG. 5 shows a top view thereof;
FIG. 6 shows a bottom view thereof;
FIG. 7 shows a bottom, front and left side perspective view thereof;
FIG. 8 shows a top, front and right side perspective view thereof; and,
FIG. 9 shows an enlarged cross-sectional view thereof, taken along line 9-9 in FIG. 1.
The portions of the design shown in broken lines in FIGS. 1-9 are for the purpose of illustrating the environment only and form no part of the claimed design.

1 Claim, 5 Drawing Sheets



US D735,312 S

Page 2

(56)

References Cited

U.S. PATENT DOCUMENTS

D720,031 S *	12/2014	Buffoni	D22/108
8,974,569 B2 *	3/2015	Matula et al.	55/482
D726,870 S *	4/2015	Ruprecht	D23/209
D712,507 S *	9/2014	Hammerback	D23/209

* cited by examiner

FIG. 1

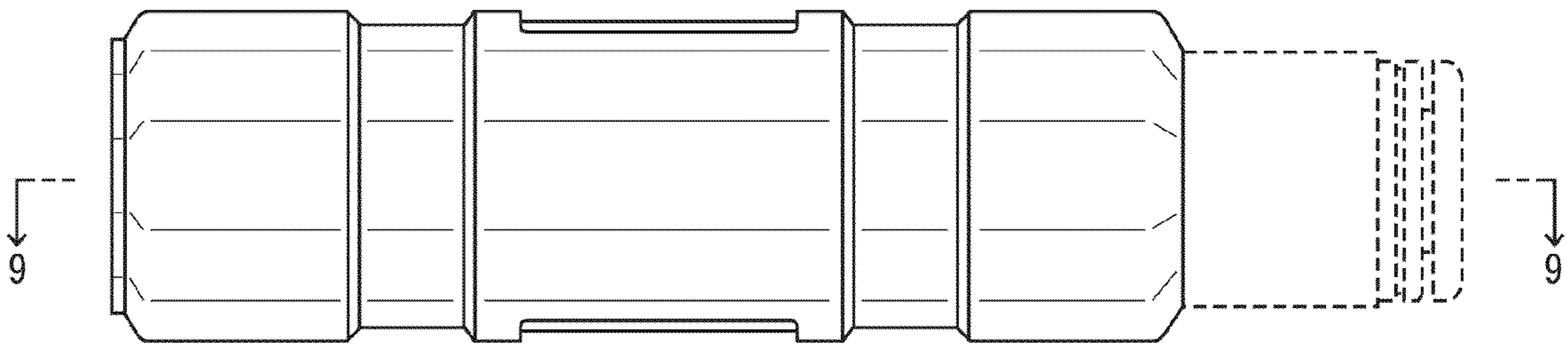


FIG. 2

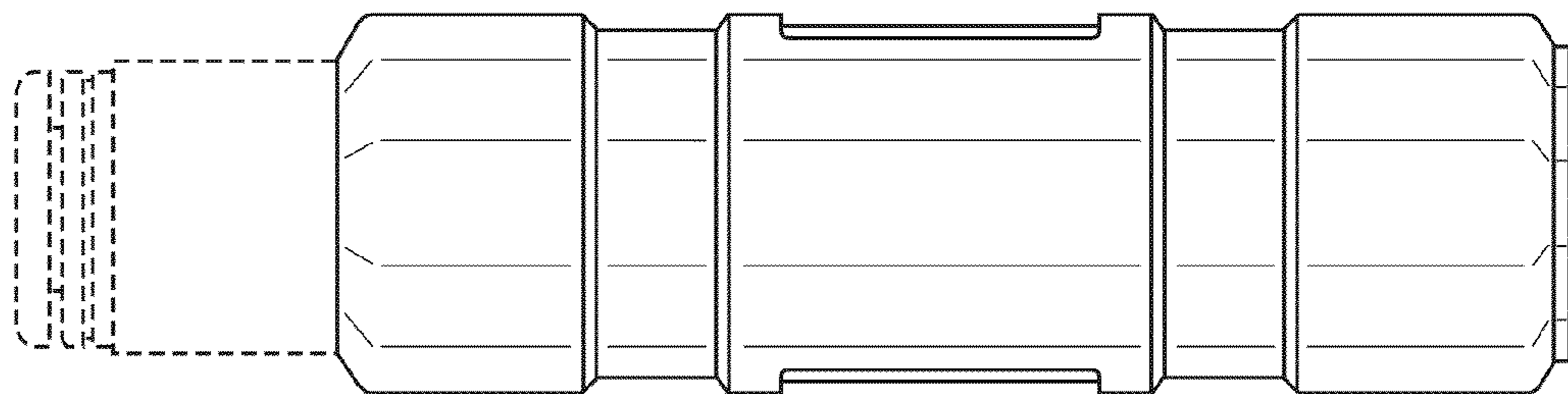


FIG. 3

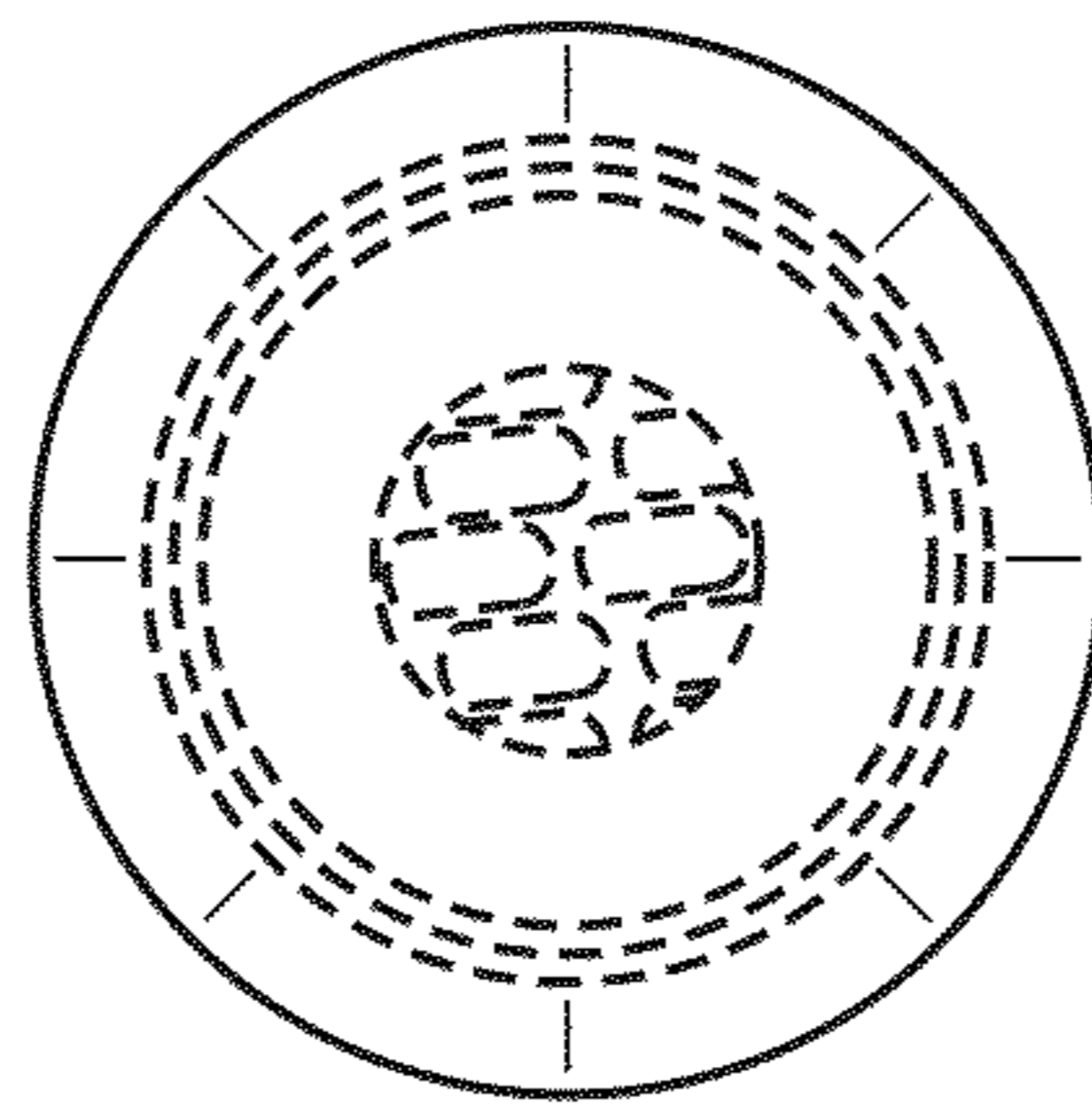


FIG. 4

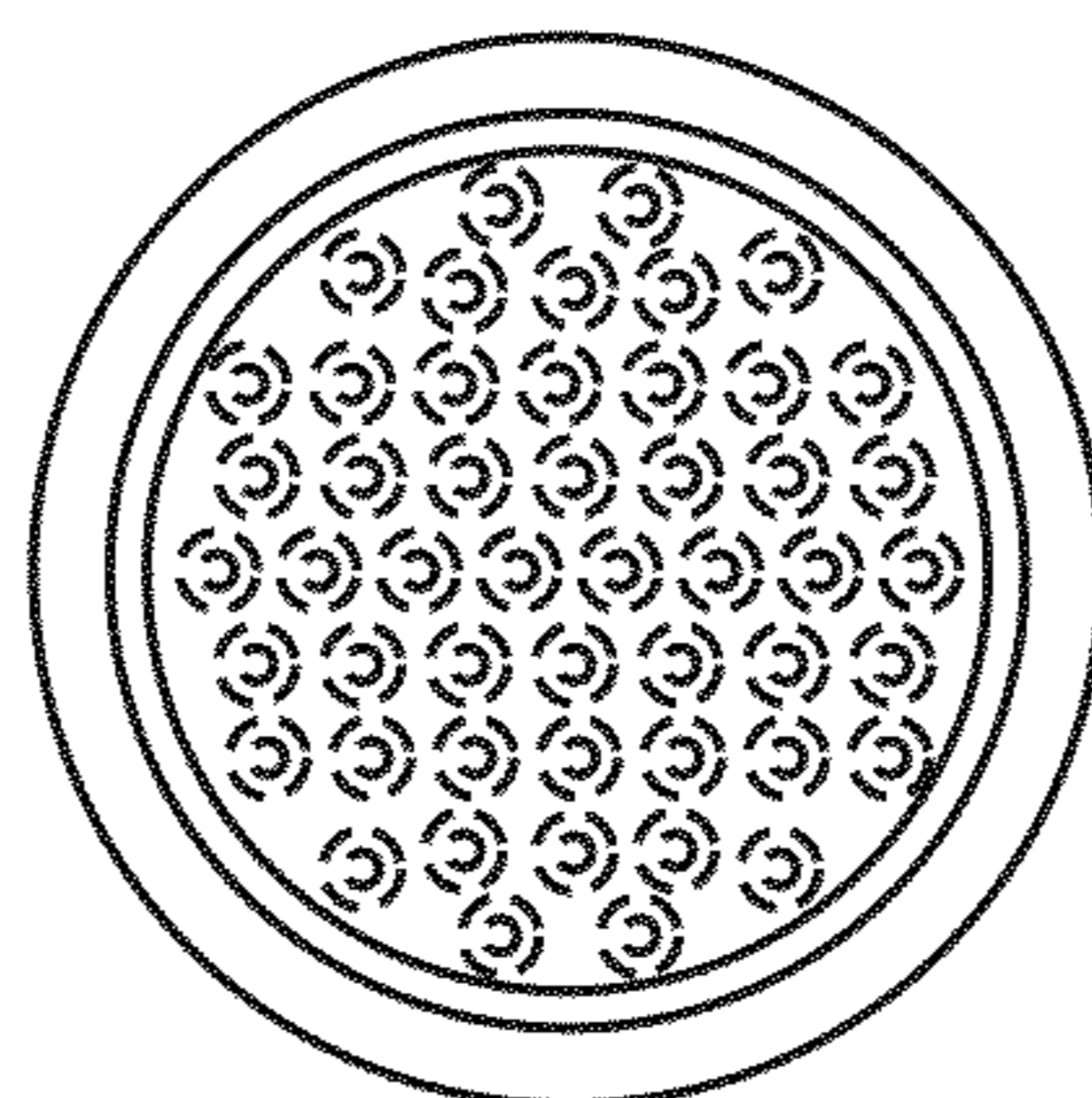


FIG. 5

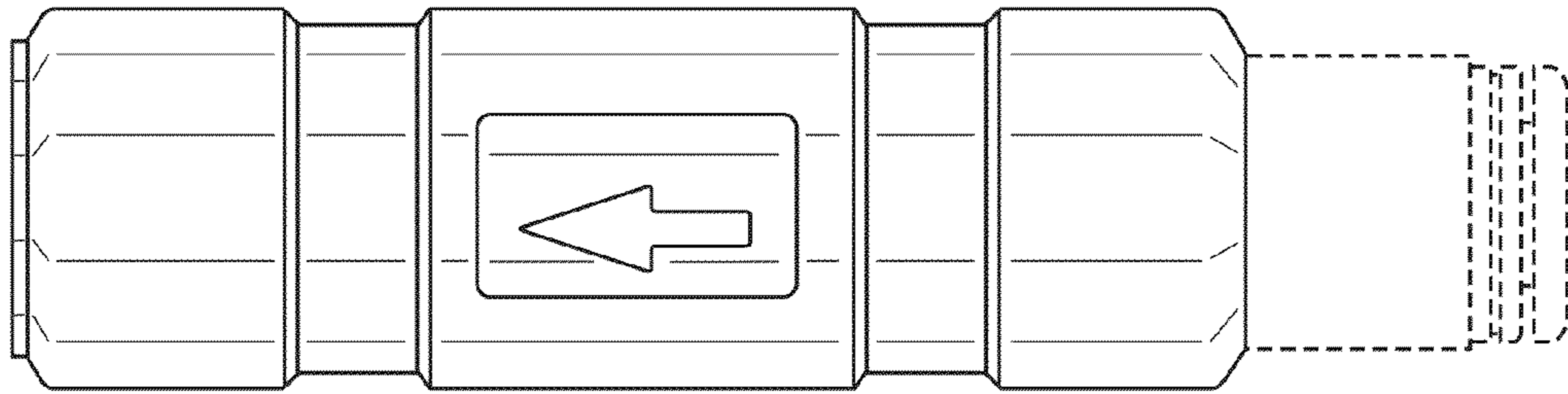


FIG. 6

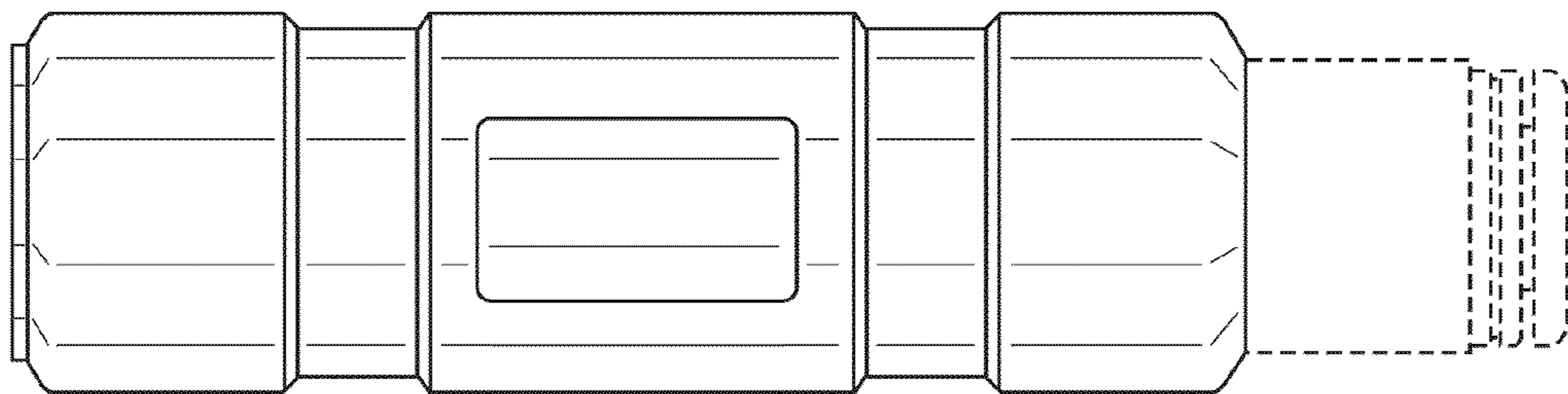


FIG. 7

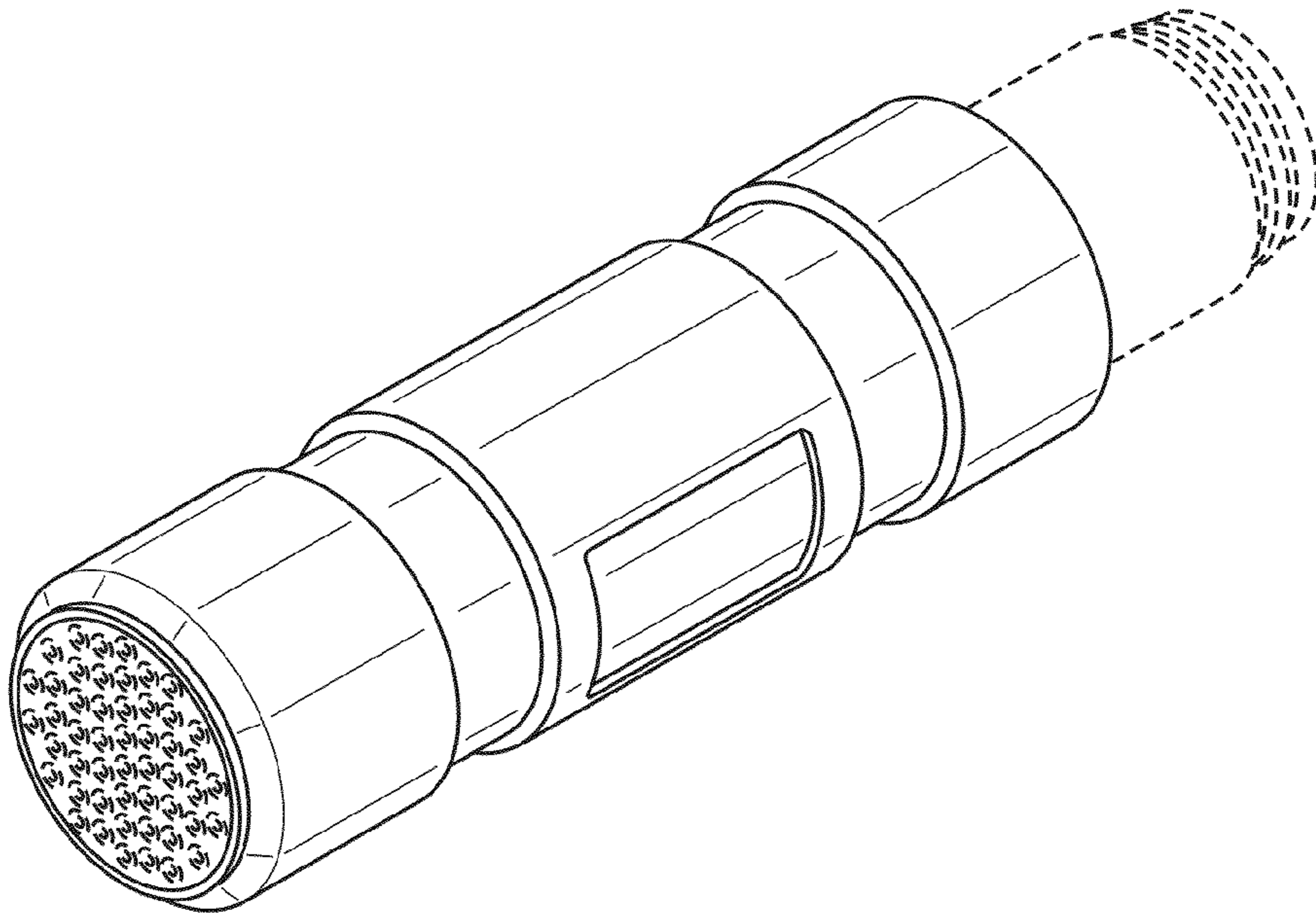


FIG. 8

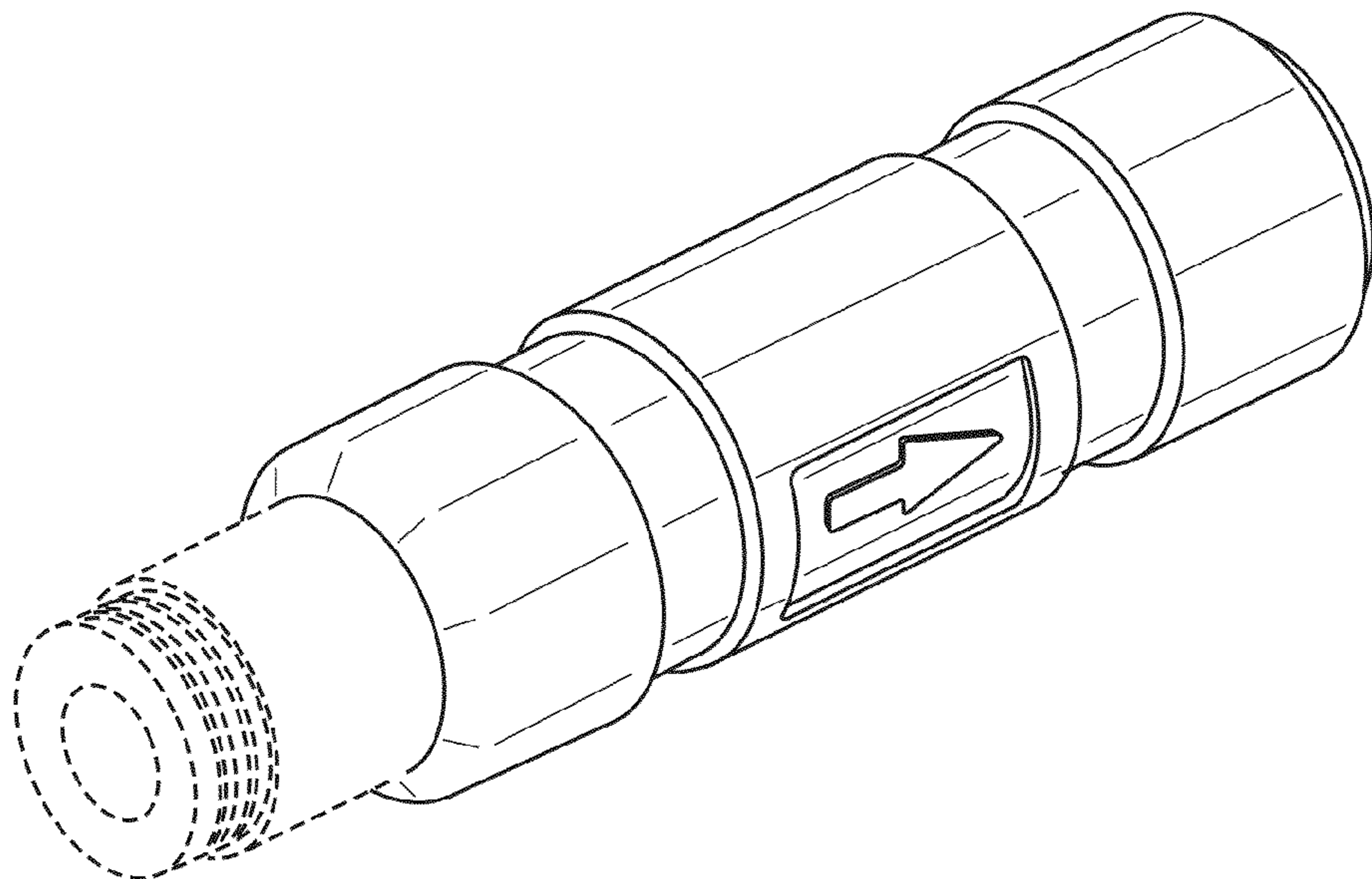


FIG. 9

