

US00D735310S

(12) **United States Design Patent**
Drew

(10) **Patent No.:** **US D735,310 S**
(45) **Date of Patent:** **** Jul. 28, 2015**

(54) **AIR FILTER**

(71) Applicant: **Briggs & Stratton Corporation,**
Wauwatosa, WI (US)

(72) Inventor: **Christopher J. Drew,** West Allis, WI
(US)

(73) Assignee: **BRIGGS & STRATTON**
CORPORATION, Wauwatosa, WI (US)

(**) Term: **14 Years**

(21) Appl. No.: **29/451,695**

(22) Filed: **Apr. 5, 2013**

Related U.S. Application Data

(62) Division of application No. 29/380,423, filed on Dec. 3, 2010, now Pat. No. Des. 685,897.

(51) **LOC (10) Cl.** **23-04**

(52) **U.S. Cl.**
USPC **D23/365**

(58) **Field of Classification Search**
USPC D23/365, 209, 363, 358, 386, 354, 341,
D23/364; 55/385.3, 502, 497, 506, 505,
55/521, 495, 422, 493, DIG. 30; 210/435,
210/130, 136, 248, 339, 448, 452, 497.1;
D15/5; D21/803

CPC F02M 35/02491; B01D 46/0005
See application file for complete search history.

(56) **References Cited**

U.S. PATENT DOCUMENTS

2,546,779 A * 3/1951 Polcyn 604/337
2,657,123 A * 10/1953 Goldman 48/189.5
2,999,562 A 9/1961 Lechtenberg
3,796,027 A 3/1974 Gumtow
4,327,716 A * 5/1982 Ansted 128/869
4,396,407 A 8/1983 Reese

D321,887 S * 11/1991 Tomlinson D15/5
D376,638 S * 12/1996 Steckman et al. D23/278
D379,697 S * 6/1997 Freudenberg et al. D32/40
D386,927 S * 12/1997 Meade D6/601
5,732,555 A 3/1998 Gracyalny et al.
6,112,476 A * 9/2000 Schulenburg 52/169.5
D469,837 S * 2/2003 Arias D21/803
6,612,275 B2 9/2003 Immel et al.
D503,467 S * 3/2005 Flashinski et al. D23/366
D516,507 S 3/2006 Nushart et al.
7,185,640 B2 3/2007 Shears et al.
7,282,077 B2 10/2007 Honisch et al.
D575,860 S * 8/2008 Wu D23/366
7,441,532 B2 10/2008 Disch et al.

(Continued)

OTHER PUBLICATIONS

Briggs & Stratton, Air Filter Element 799579, http://www.briggsandstratton.com/us/en/shop/parts-and-accessories/filters/air%20filter%20element%20799579.*

(Continued)

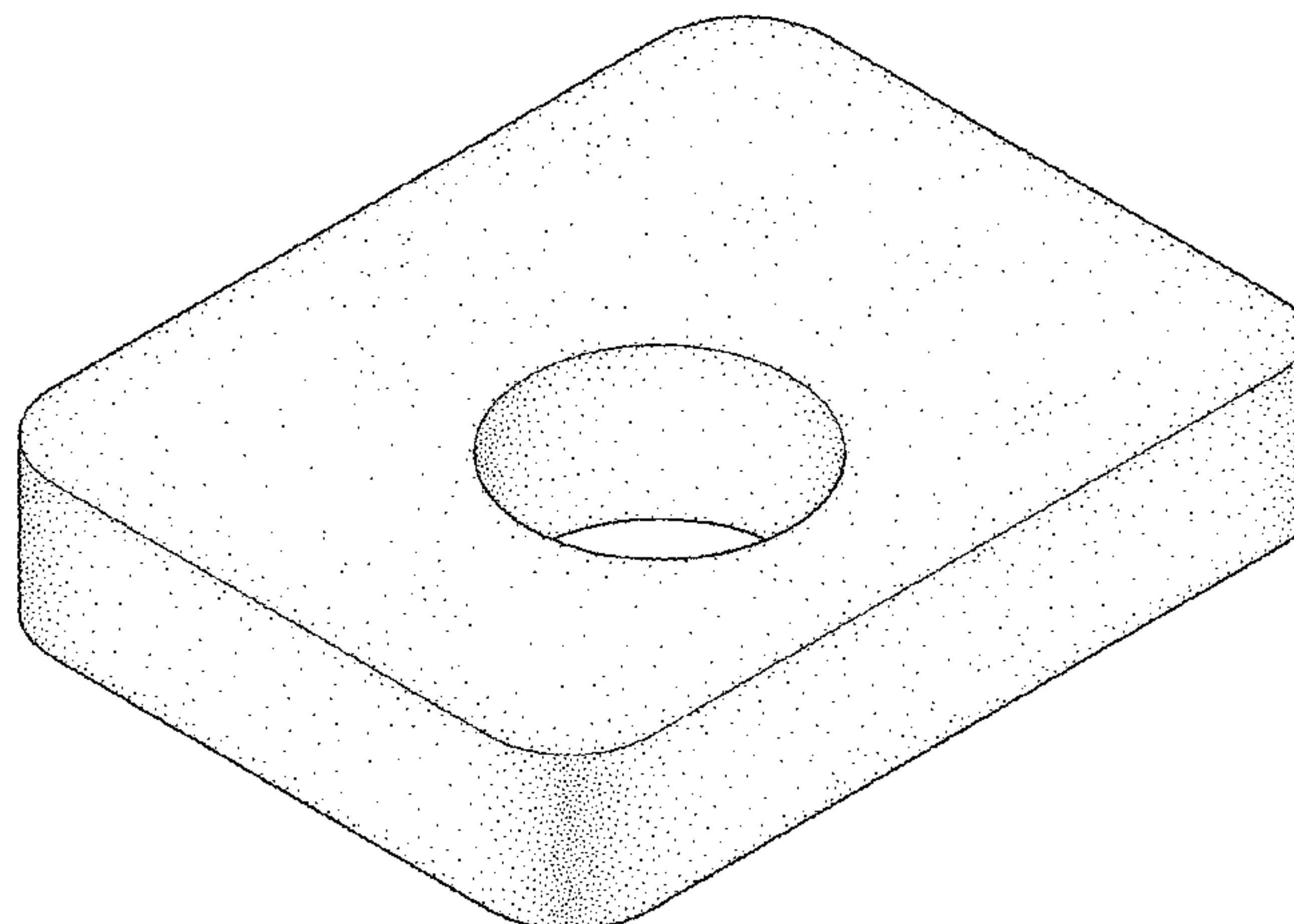
Primary Examiner — David Muller
Assistant Examiner — Nathan Johnston
(74) *Attorney, Agent, or Firm* — Foley & Lardner LLP

(57) **CLAIM**
I claim the ornamental design for an air filter, as shown and described.

DESCRIPTION

FIG. 1 is a front perspective view from above the claimed design;
FIG. 2 is a top plan view thereof;
FIG. 3 is a bottom plan view thereof;
FIG. 4 is a front elevation view thereof;
FIG. 5 is a rear elevation view thereof;
FIG. 6 is a right side elevation view thereof; and,
FIG. 7 is a left side elevation view thereof.

1 Claim, 5 Drawing Sheets



(56)

References Cited

U.S. PATENT DOCUMENTS

D649,236 S * 11/2011 Bilko et al. D23/366
D656,160 S 3/2012 Strommen et al.
8,251,030 B2 8/2012 Schneiker
D685,897 S * 7/2013 Drew D23/365
2002/0088214 A1 7/2002 Sherwood
2007/0186894 A1 8/2007 Disch et al.

2008/0251055 A1 10/2008 Schmalz et al.
2009/0126658 A1 5/2009 Brunelli et al.
2009/0260596 A1 10/2009 Johnson
2009/0299614 A1 12/2009 Iwata et al.
2010/0263343 A1 10/2010 Horvat et al.

OTHER PUBLICATIONS

FRAM Product Reference Catalog, Product Styles, 2010, 33 pages.

* cited by examiner

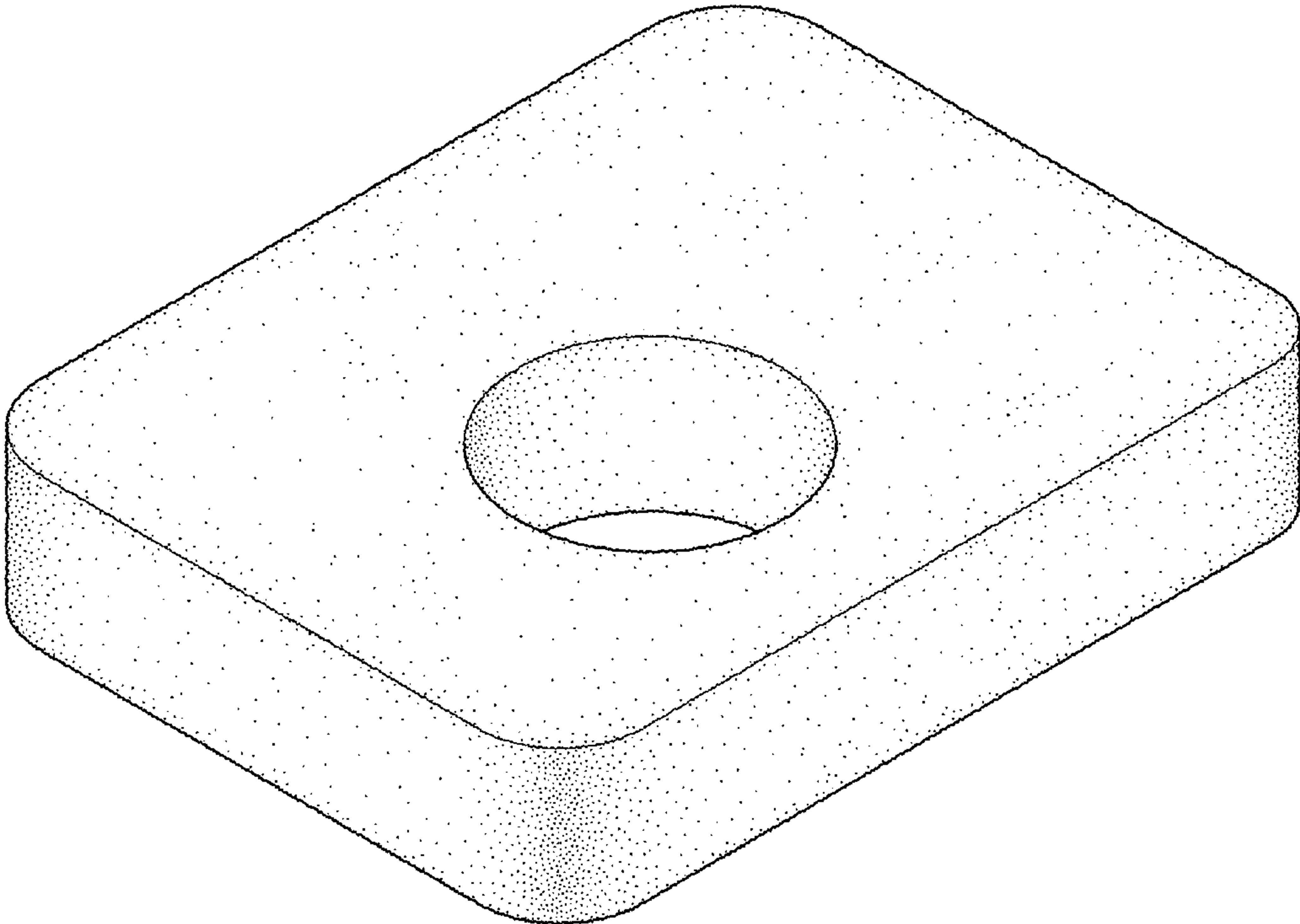


Fig. 1

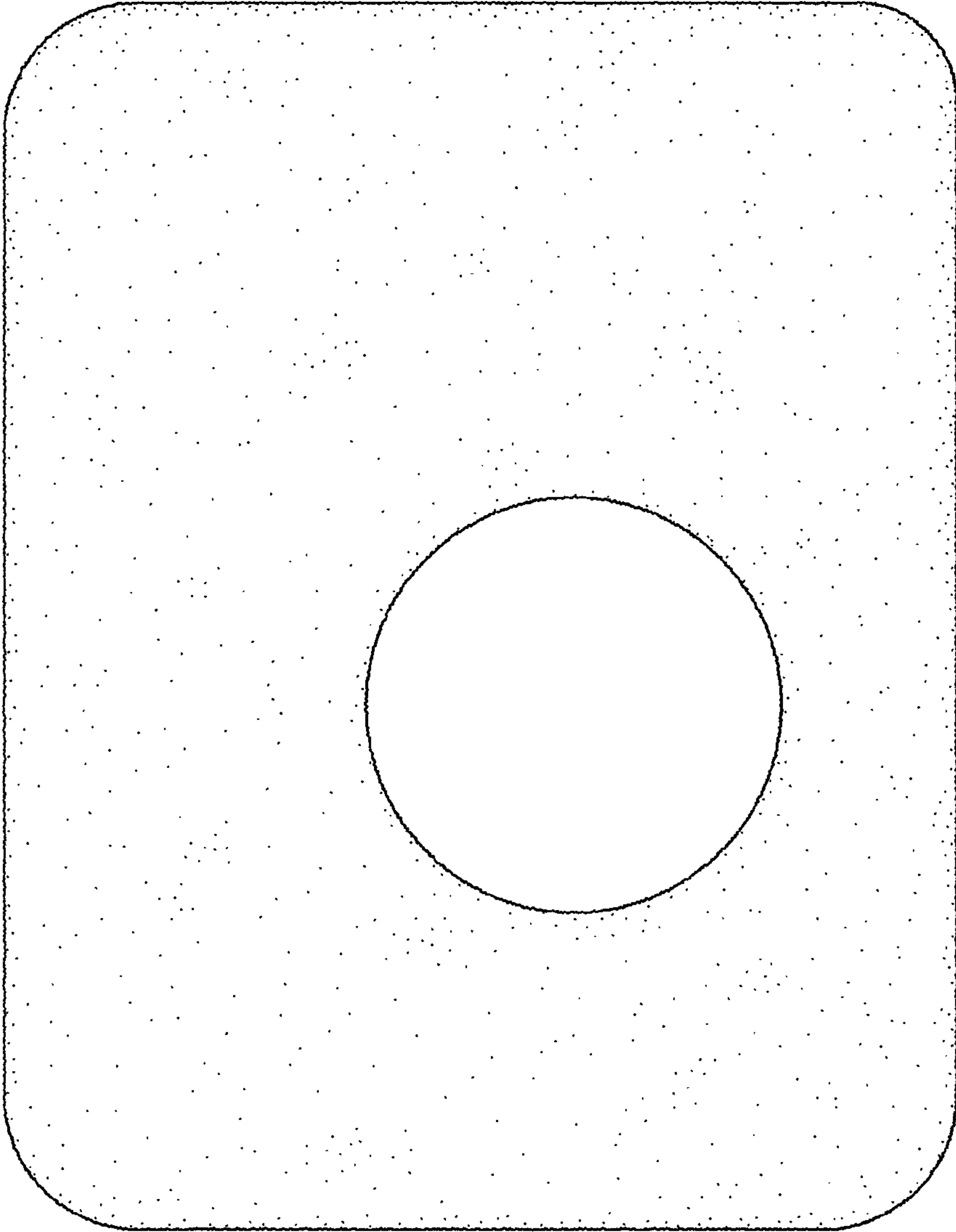


Fig. 2

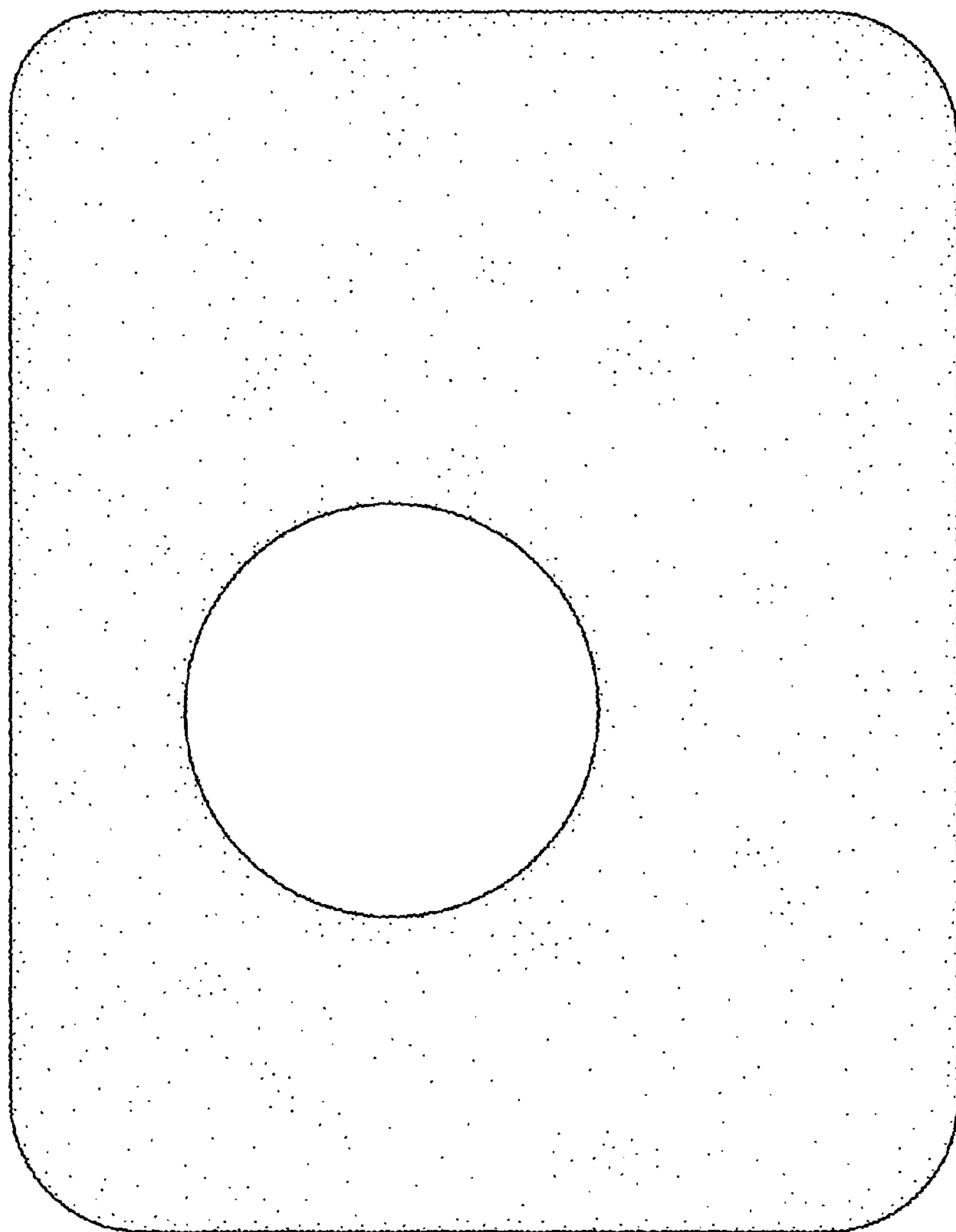


Fig. 3

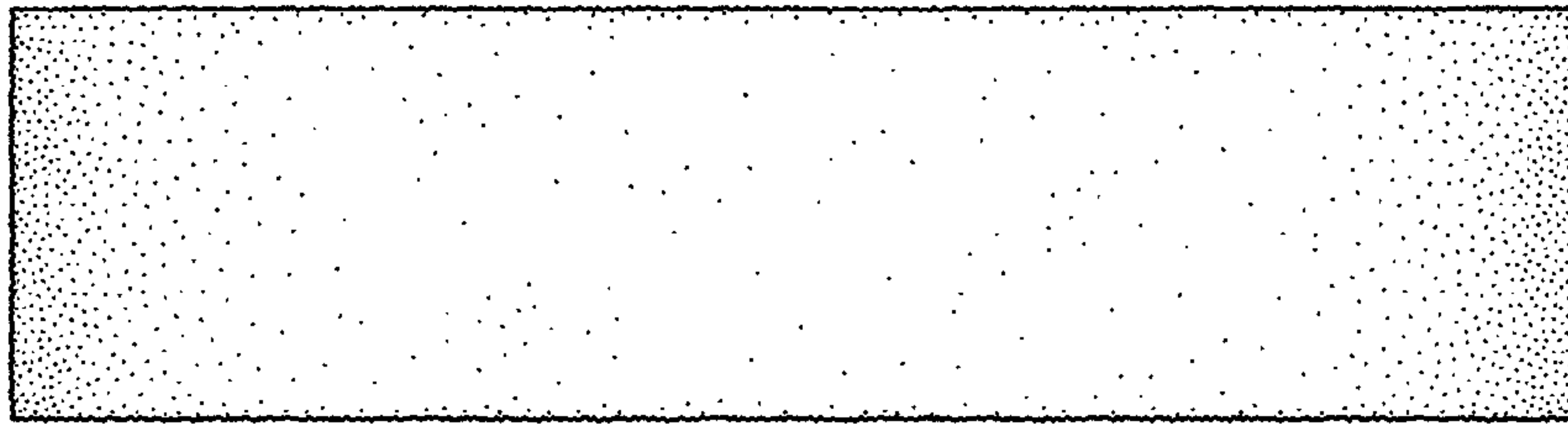


Fig. 4

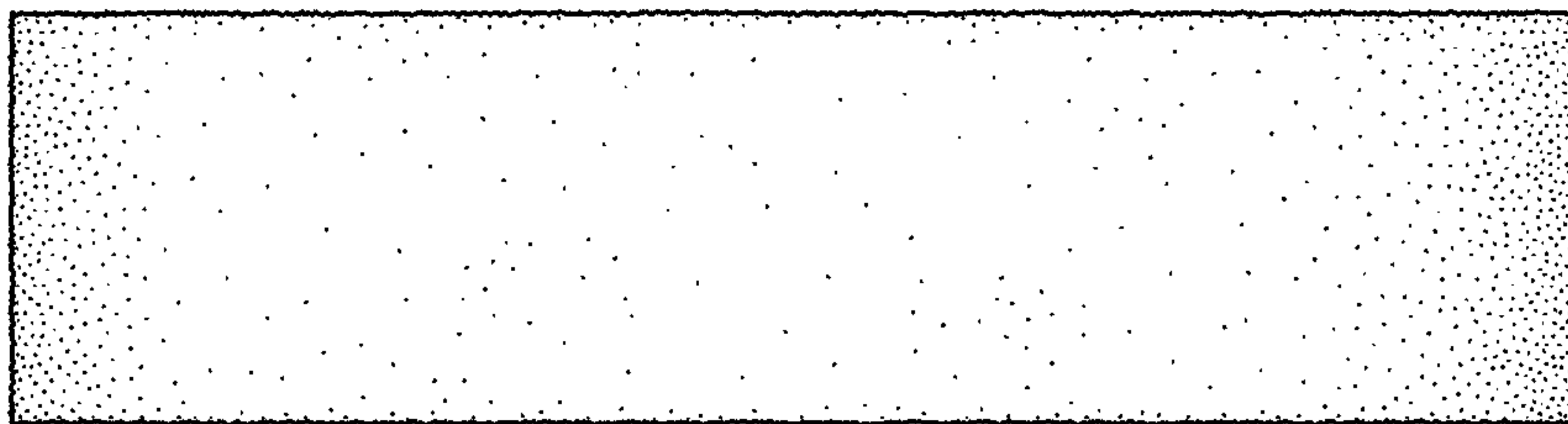


Fig. 5

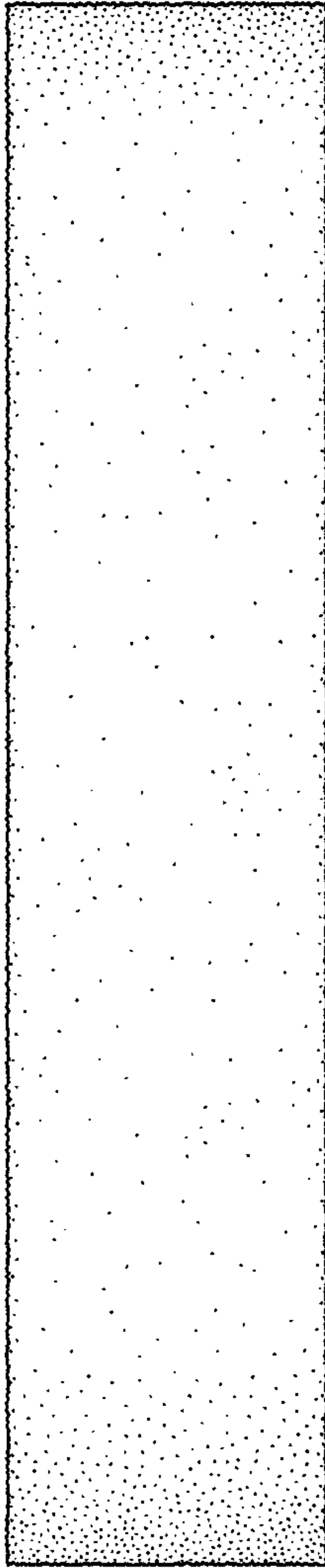


Fig. 6

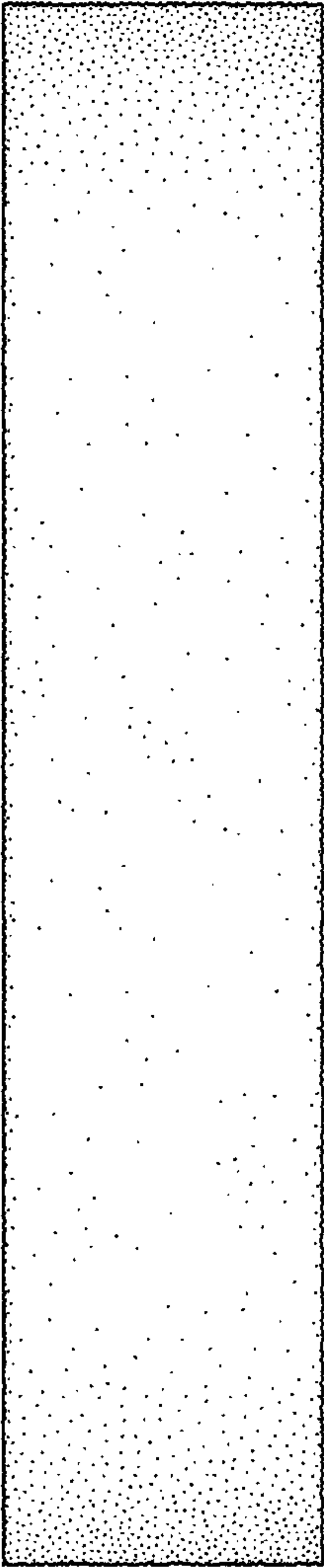


Fig. 7