



US00D735309S

(12) **United States Design Patent**
Sevy

(10) **Patent No.:** **US D735,309 S**
(45) **Date of Patent:** **** Jul. 28, 2015**

(54) **INTEGRATED, PURIFICATION, DIFFUSER APPARATUS**

(71) Applicant: **Earl Sevy**, Cedar City, UT (US)

(72) Inventor: **Earl Sevy**, Cedar City, UT (US)

(**) Term: **14 Years**

(21) Appl. No.: **29/451,740**

(22) Filed: **Apr. 8, 2013**

Related U.S. Application Data

(63) Continuation of application No. 13/854,545, filed on Apr. 1, 2013.

(51) **LOC (10) Cl.** **23-04**

(52) **U.S. Cl.**
USPC **D23/364**

(58) **Field of Classification Search**
USPC D23/314, 325, 329, 333, 334, 335, 342,
D23/355, 356, 358, 359, 364, 386, 387, 388,
D23/389, 390, 391

CPC A61L 9/00; A61L 9/205; A61L 9/145;
A61L 9/14; A61L 9/122; A61L 9/125; A61M
11/064; B01D 46/00; B01D 46/0001; B01D
46/0019; B01D 46/10; B01D 1/00; F24F
1/00; F24F 3/16; F24F 3/166; F24F 3/1603;
F24F 3/14; F24F 3/12; F24F 7/00

See application file for complete search history.

(56) **References Cited**

U.S. PATENT DOCUMENTS

2,860,224	A *	11/1958	Tammen	219/452.13
D313,071	S *	12/1990	Scherrer	D23/364
D419,658	S *	1/2000	Matchett et al.	D23/356
D534,999	S *	1/2007	Hussaini et al.	D23/335
D585,540	S *	1/2009	Lithgow et al.	D24/110
D600,789	S *	9/2009	Campbell et al.	D23/364
D612,480	S *	3/2010	Cork et al.	D24/110

7,712,683	B2	5/2010	Robert et al.	
D617,437	S *	6/2010	Matsuzaki D23/364
D626,642	S *	11/2010	Virr et al. D23/356
D627,044	S *	11/2010	Virr et al. D23/356
D633,996	S *	3/2011	Laut et al. D23/364
D635,654	S *	4/2011	Virr et al. D23/356
7,930,068	B2	4/2011	Robert et al.	
D645,130	S *	9/2011	Goldstein et al. D23/356
D660,951	S *	5/2012	Sevy D23/366
D666,706	S *	9/2012	Sevy D23/366
2010/0084484	A1 *	4/2010	Sevy 239/4
2014/0294667	A1 *	10/2014	Sevy 422/4

OTHER PUBLICATIONS

- <http://www.air-roma.com/diffusers>.
- http://www.prolitec.com/appliances_commercial.htm.
- <http://scentair.com/why-scentair-solutions/>.
- <http://www.brandaroma.com/products/>.
- <http://www.e2aroma.com/appliances/smart-air-maxi/>.

(Continued)

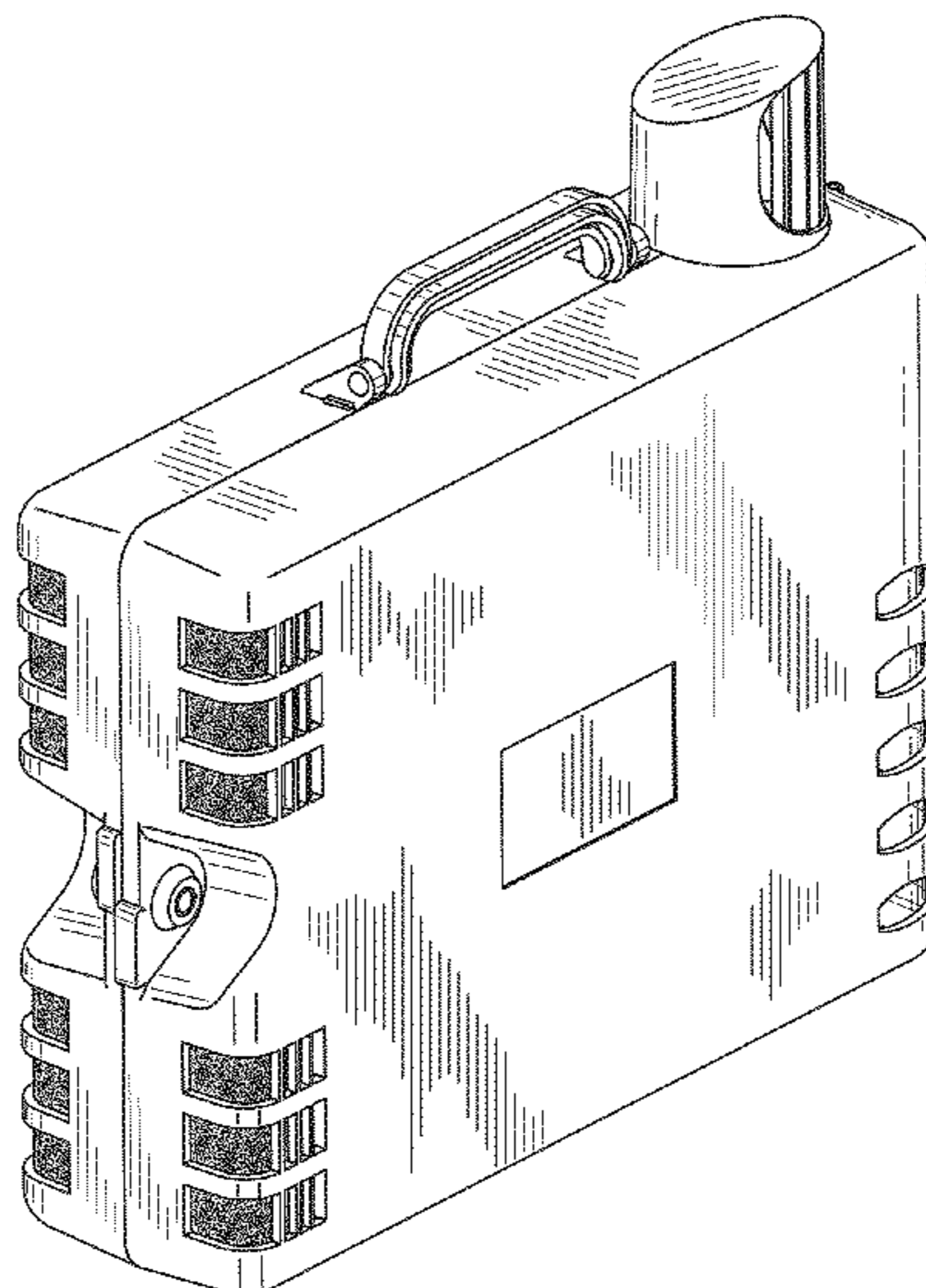
Primary Examiner — Eric Goodman
Assistant Examiner — Bao-Yen Nguyen
(74) *Attorney, Agent, or Firm* — Pate Baird, PLLC

(57) **CLAIM**
The ornamental design for an integrated, purification, diffuser apparatus, as shown and described.

DESCRIPTION

FIG. 1 is a frontal perspective view of a diffuser in accordance with the invention;
FIG. 2 is a rear perspective view thereof;
FIG. 3 is a front elevation view thereof;
FIG. 4 is a rear elevation view thereof;
FIG. 5 is a left end elevation view thereof;
FIG. 6 is right end elevation view thereof;
FIG. 7 is a top plan view thereof; and,
FIG. 8 is a bottom plan view thereof.

1 Claim, 6 Drawing Sheets



(56)

References Cited

<http://www.voitair.com/scent-systems>.

OTHER PUBLICATIONS

<http://www.fragrancemachine.com/>.

<http://www.scentaustralia.com.au/index.php/products/scent-diffuser-zephyr>.

* cited by examiner

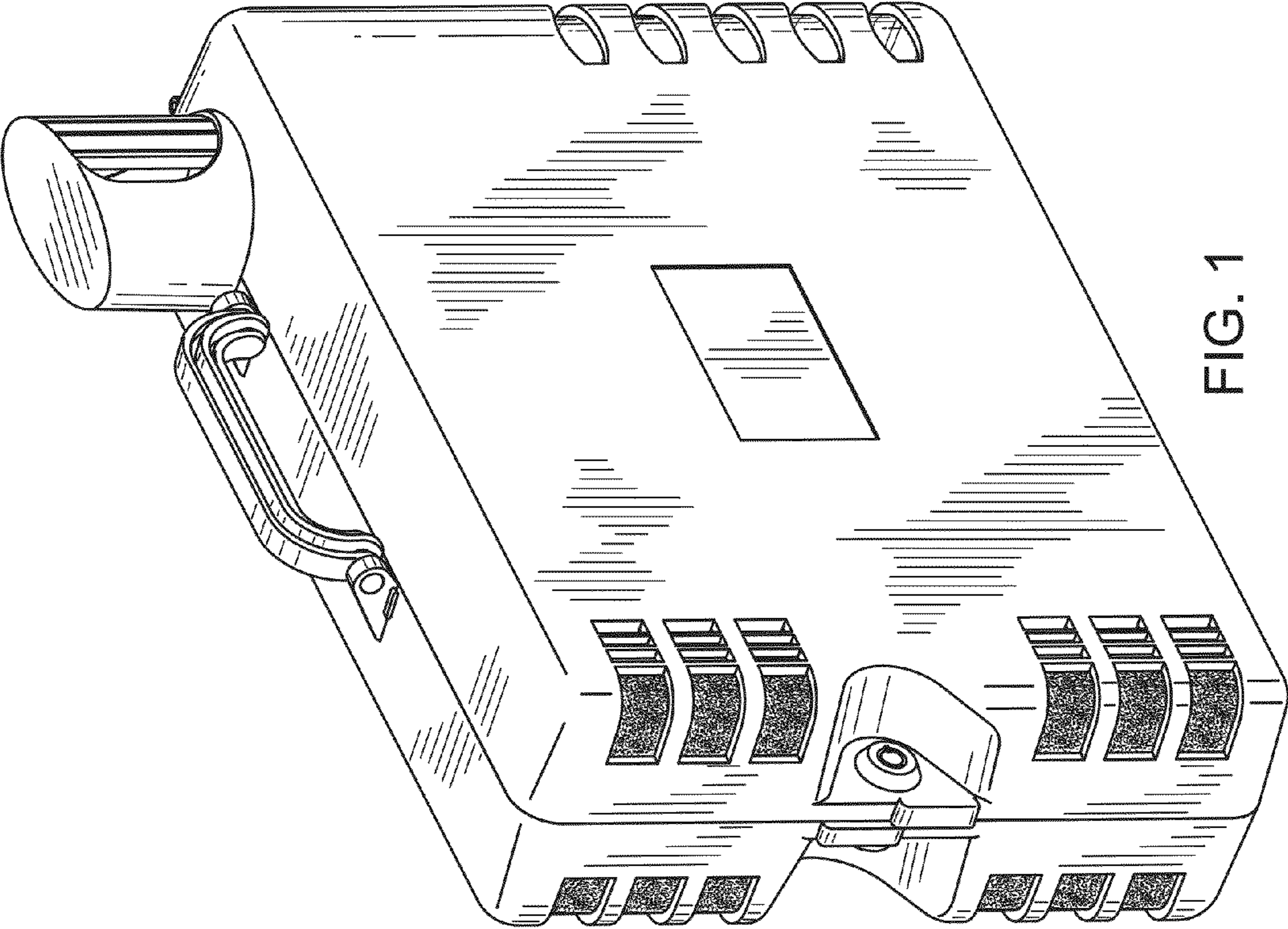


FIG. 1

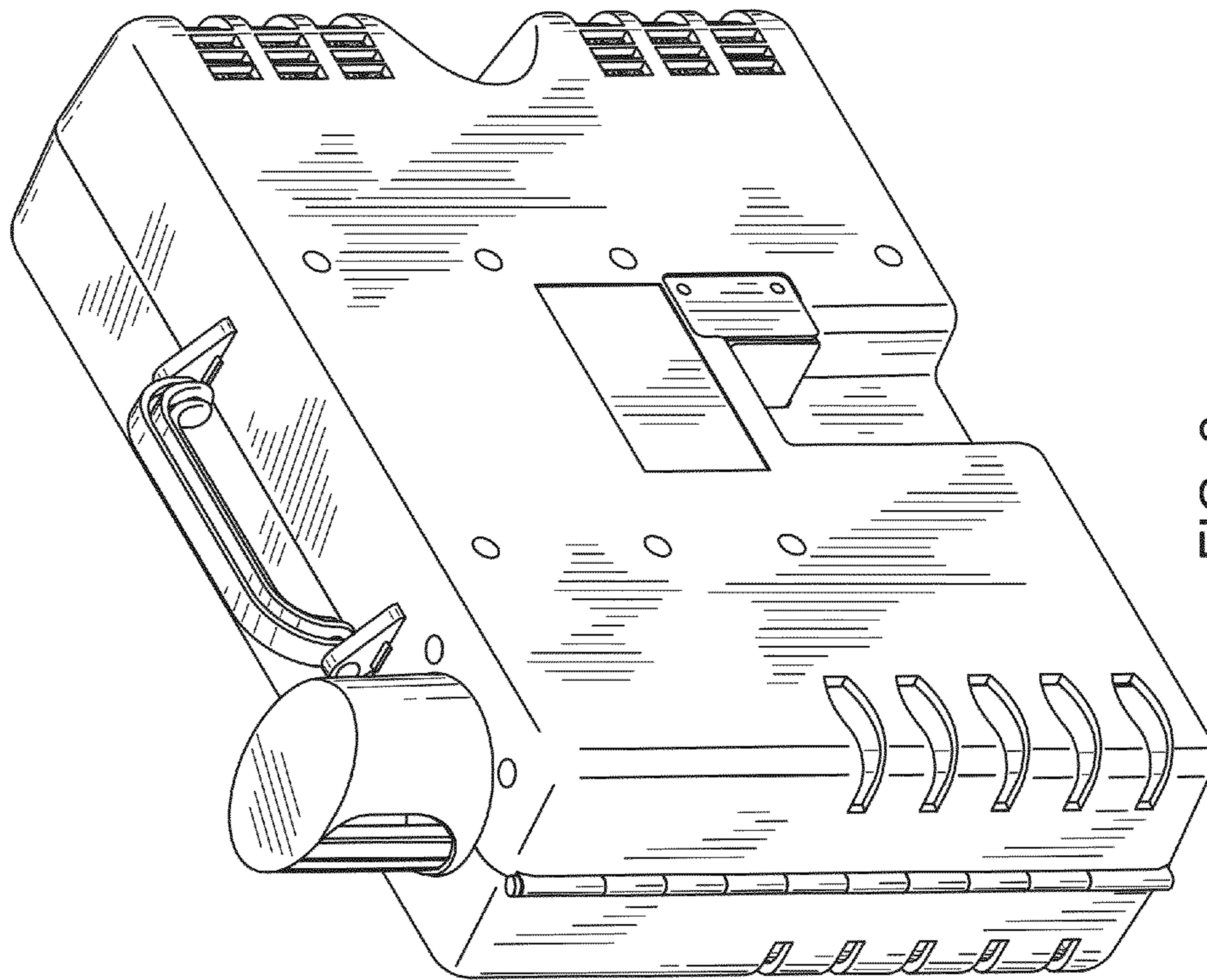


FIG. 2

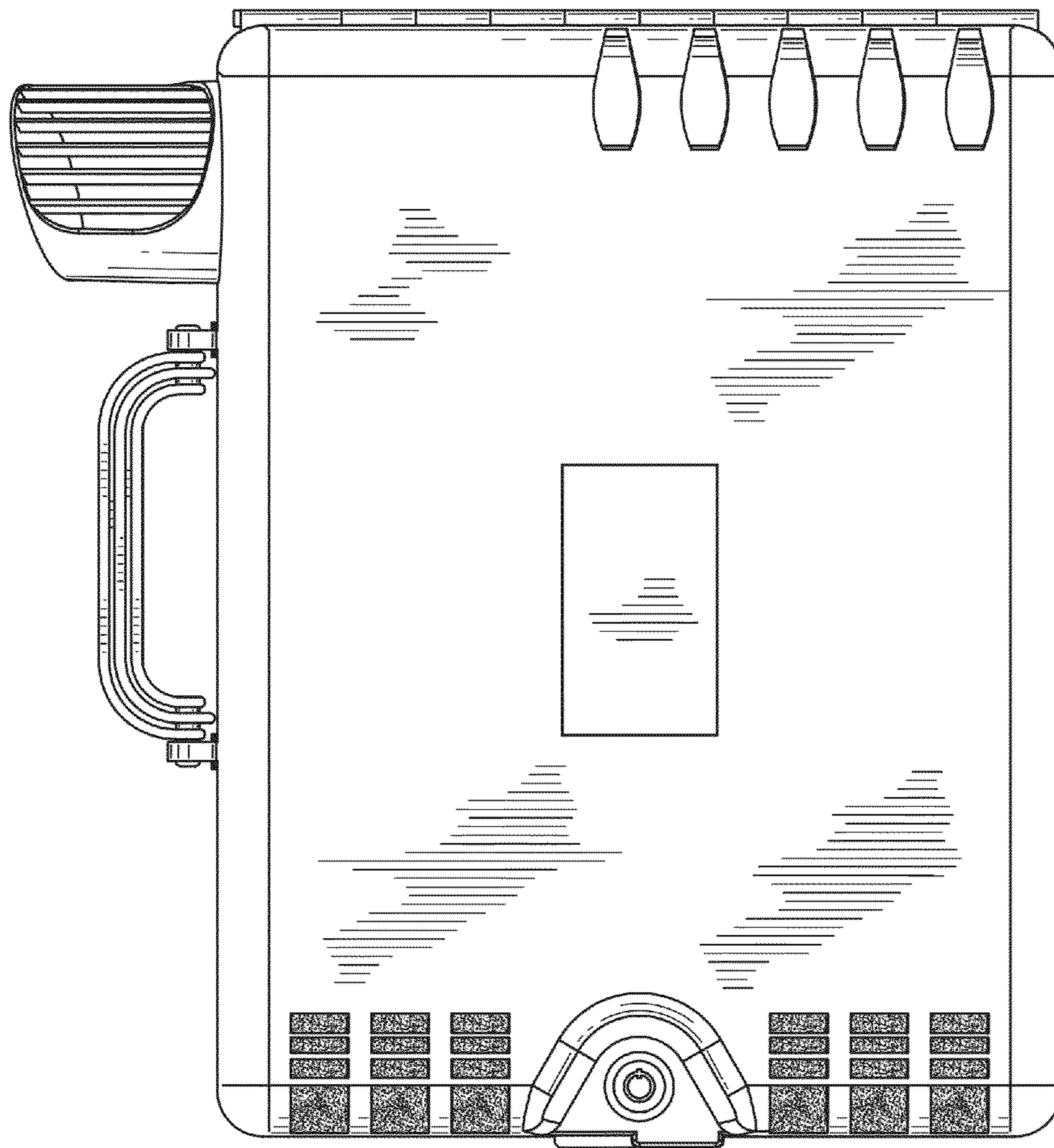


FIG. 3

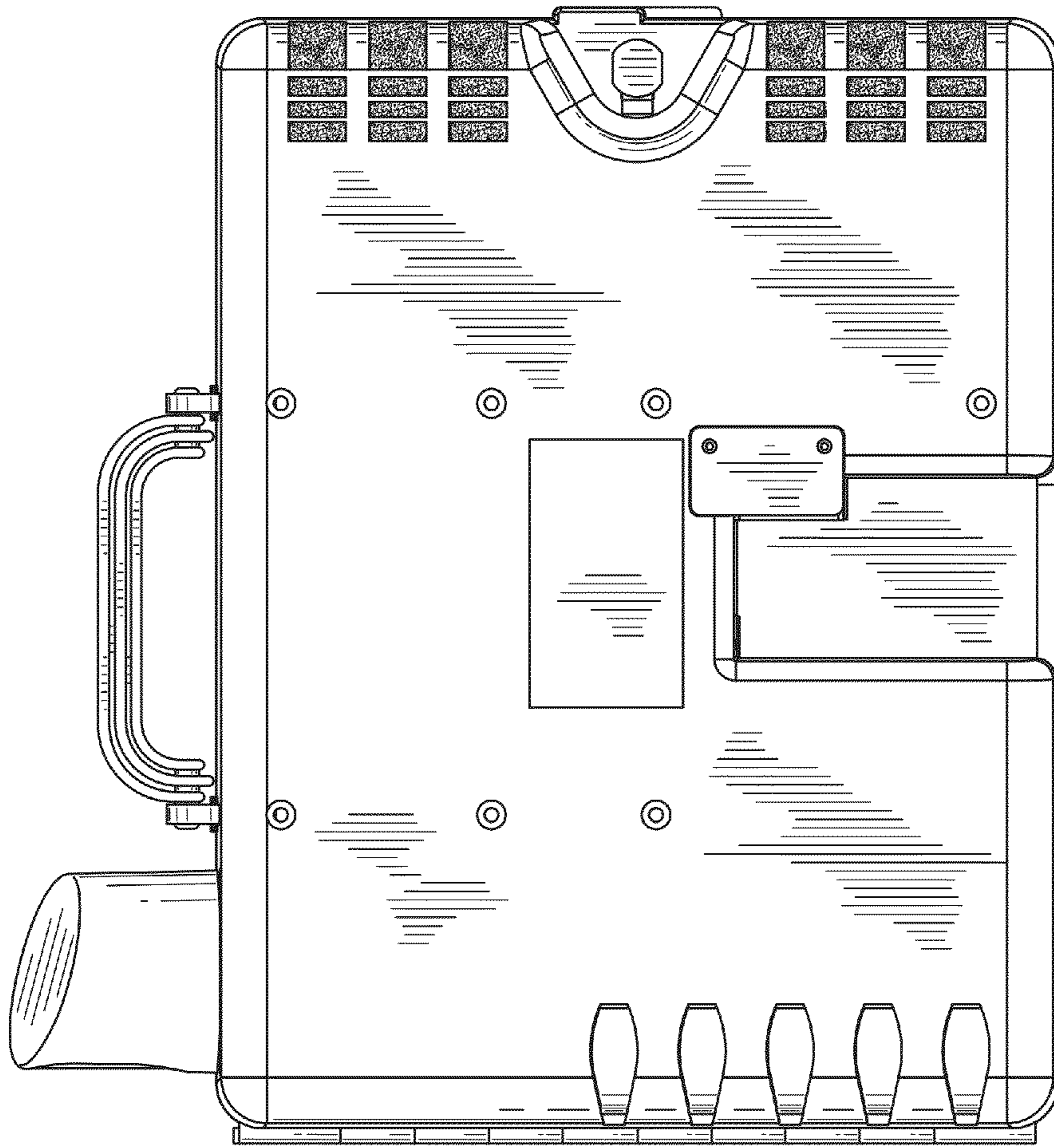


FIG. 4

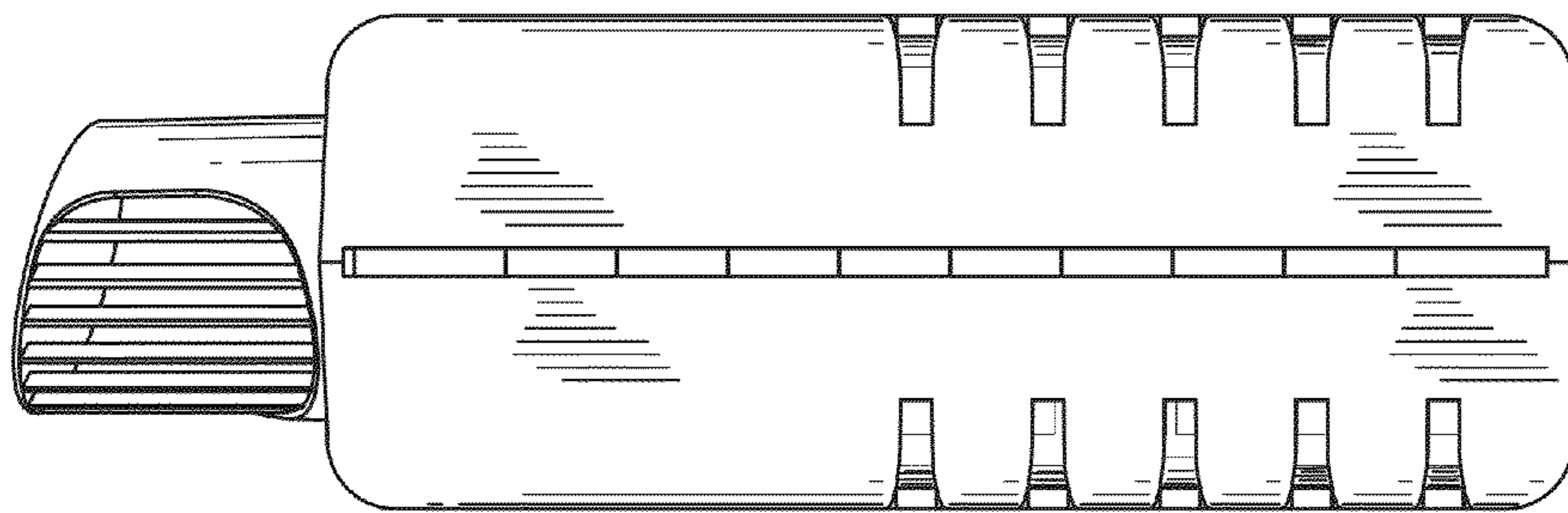


FIG. 6

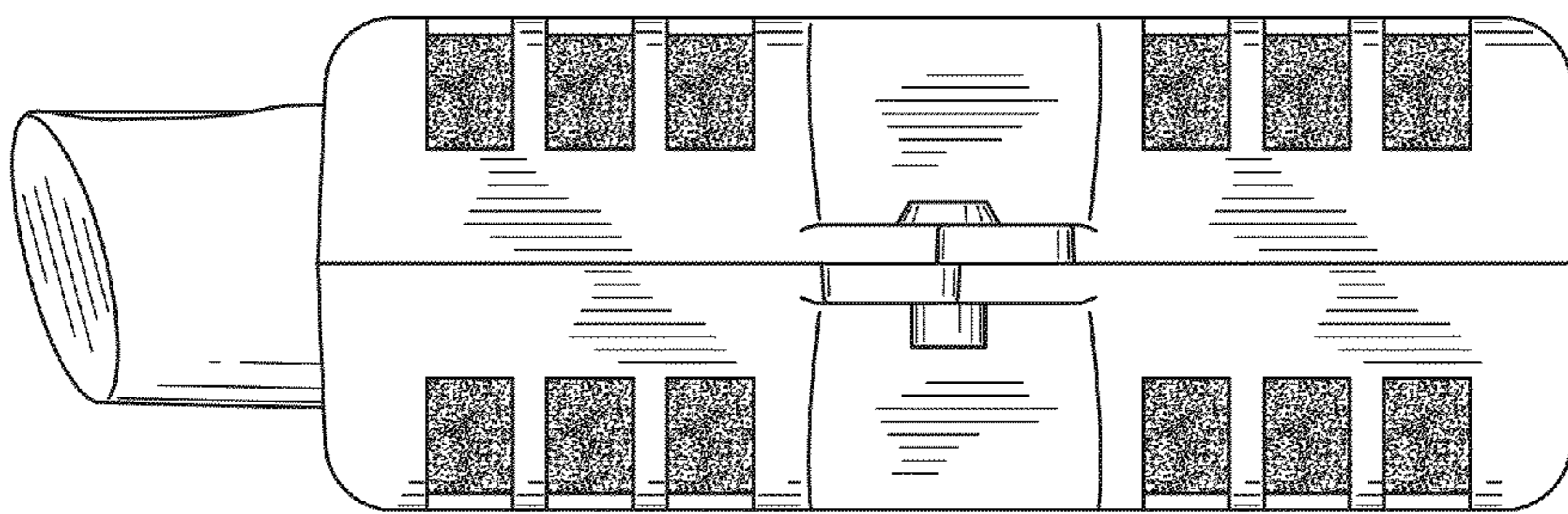


FIG. 5

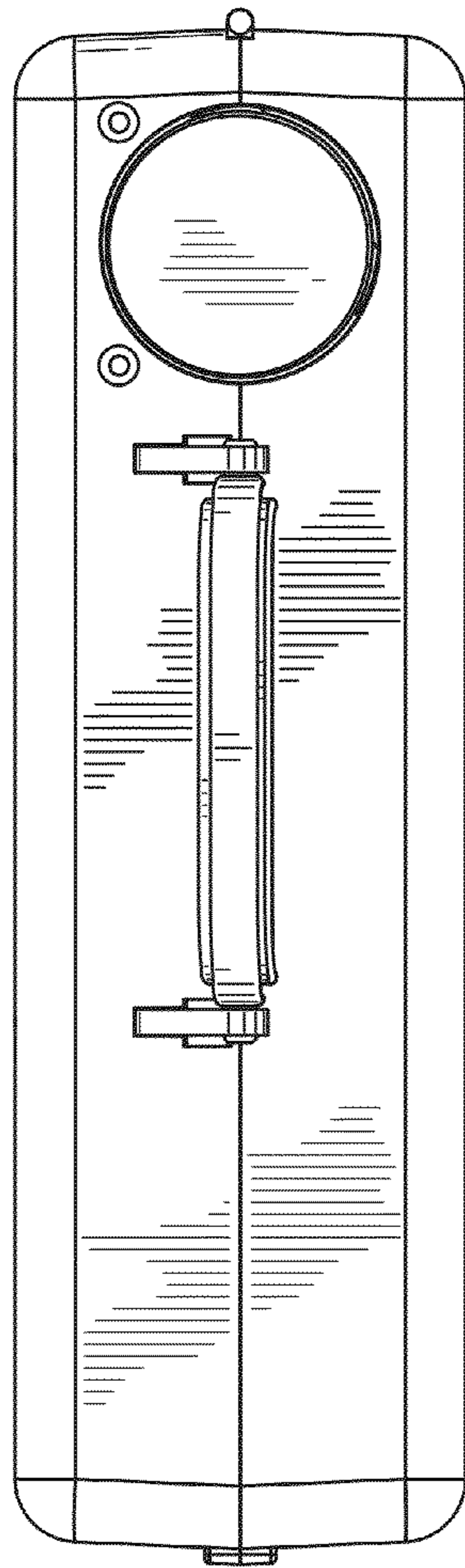


FIG. 7

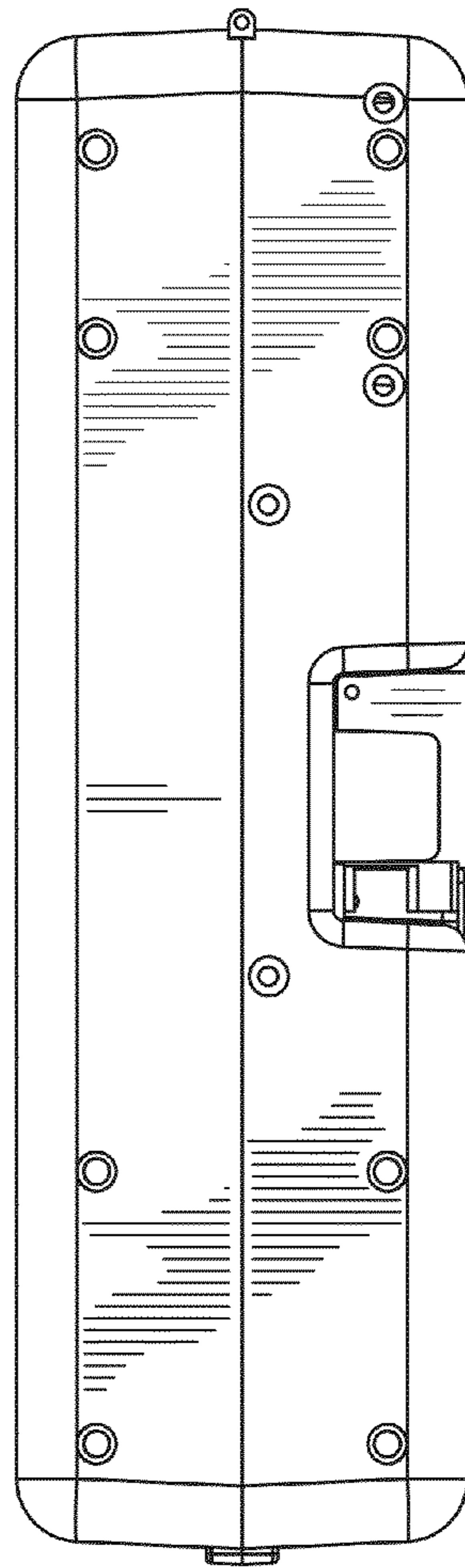


FIG. 8