



US00D735306S

(12) **United States Design Patent**
Ericson

(10) **Patent No.:** **US D735,306 S**

(45) **Date of Patent:** **** Jul. 28, 2015**

(54) **INFRARED HEATING APPARATUS**

(71) Applicant: **Speedheater System AB**, Alingsås (SE)

(72) Inventor: **Birger Ericson**, Alingsås (SE)

(73) Assignee: **SPEEDHEATER SYSTEM AB**,
Alingsas (SE)

(**) Term: **14 Years**

(21) Appl. No.: **29/494,311**

(22) Filed: **Jun. 19, 2014**

(30) **Foreign Application Priority Data**

Dec. 19, 2013 (EC) 2373399

(51) **LOC (10) Cl.** **23-03**

(52) **U.S. Cl.**
USPC **D23/314**

(58) **Field of Classification Search**

USPC D23/317, 314, 332, 333, 334, 335, 337,
D23/342, 351, 355, 378, 370, 381, 364, 336,
D23/341, 330; 416/244 R-247 R, 53.1-53.3;
392/365, 367

See application file for complete search history.

(56) **References Cited**

U.S. PATENT DOCUMENTS

2,495,513	A *	1/1950	Doyle	338/299
4,266,117	A *	5/1981	Pardue et al.	392/423
D282,202	S *	1/1986	Ellersick	D15/144.1
8,068,726	B2 *	11/2011	Saunders et al.	392/407
D652,127	S *	1/2012	Smith et al.	D23/342
2006/0198084	A1 *	9/2006	Hall et al.	361/600
2008/0152329	A1 *	6/2008	Saunders et al.	392/407

* cited by examiner

Primary Examiner — T. Chase Nelson

Assistant Examiner — Ania Aman

(74) *Attorney, Agent, or Firm* — Buchanan Ingersoll & Rooney PC

(57) **CLAIM**

The ornamental design for an infrared heating apparatus, as shown and described.

DESCRIPTION

FIG. 1 is a perspective view of an infrared heating apparatus showing my new design.

FIG. 2 is a left side elevational view thereof.

FIG. 3 is a right side elevational view thereof.

FIG. 4 is a top view thereof.

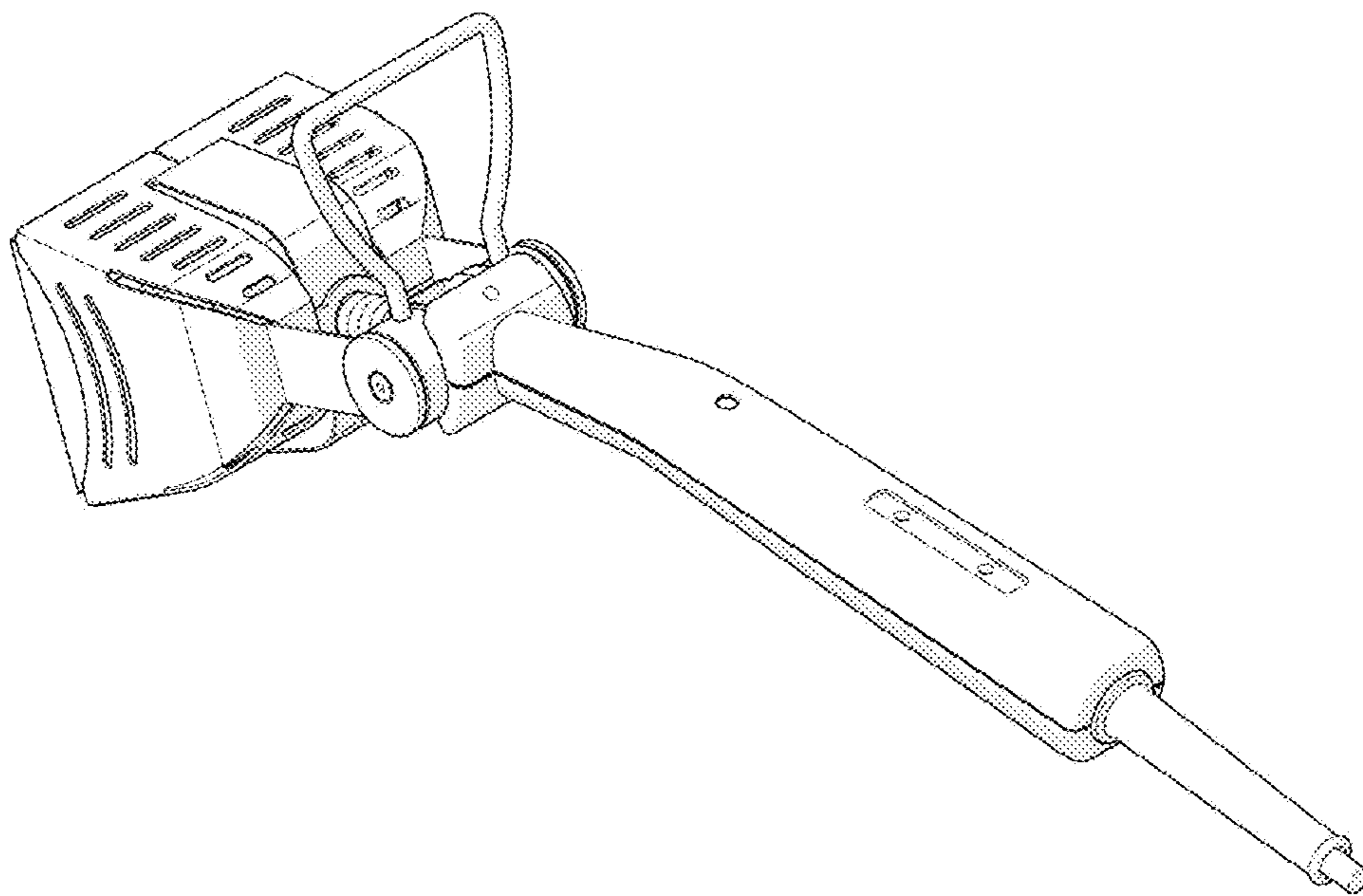
FIG. 5 is a rear view thereof.

FIG. 6 is a bottom view thereof; and,

FIG. 7 is a front view thereof.

The broken lines shown in the drawings are for the purpose of illustrating environmental structure and form no part of the claimed design.

1 Claim, 7 Drawing Sheets



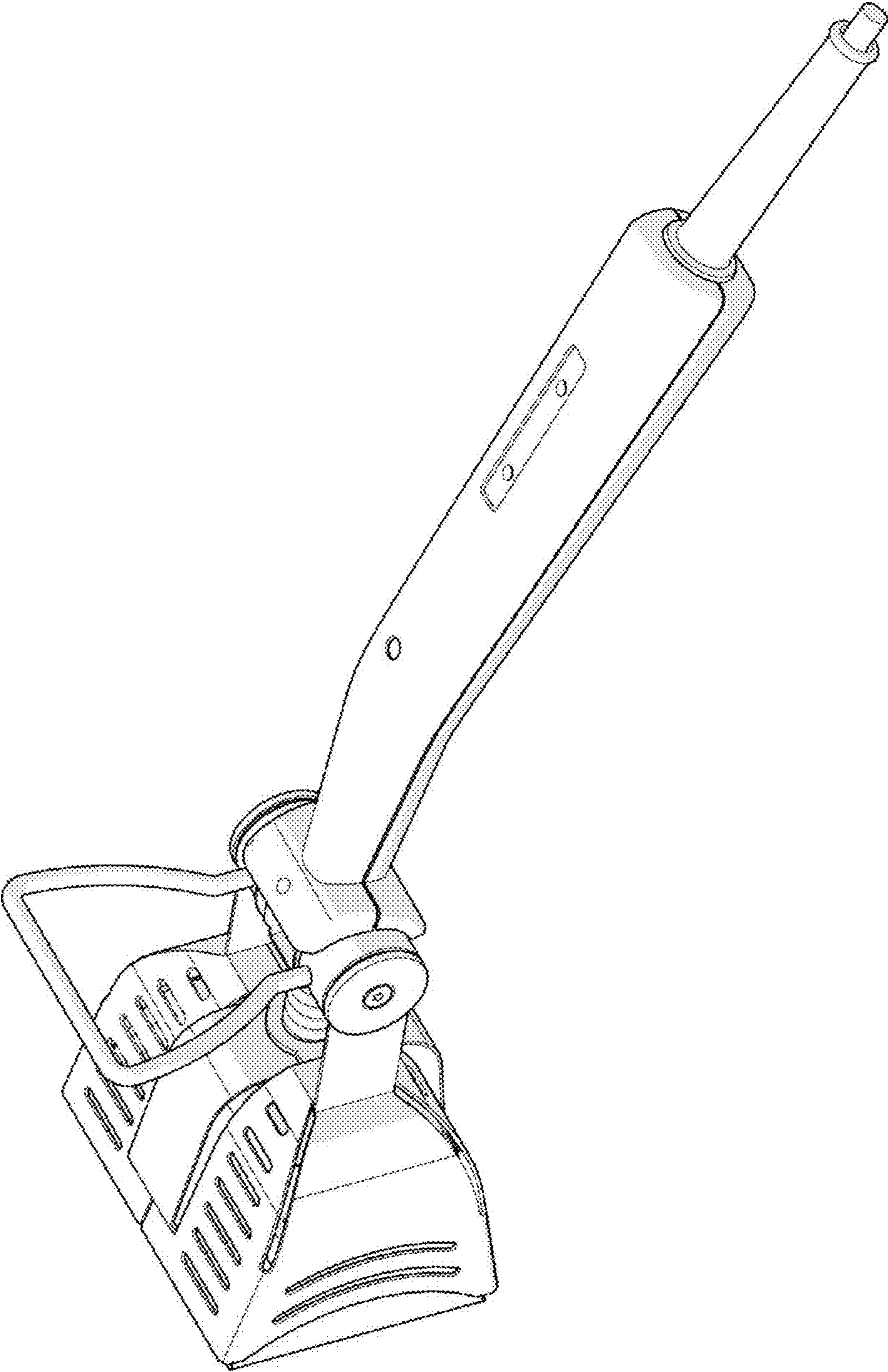


Fig. 1

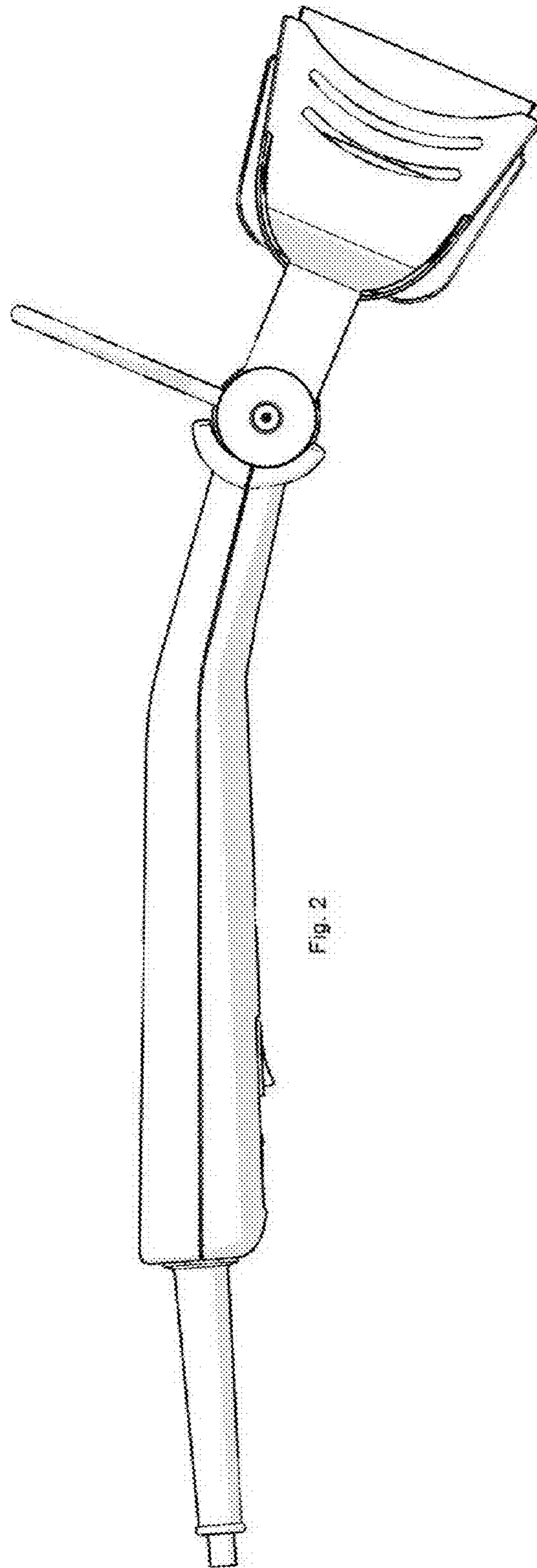


Fig. 2

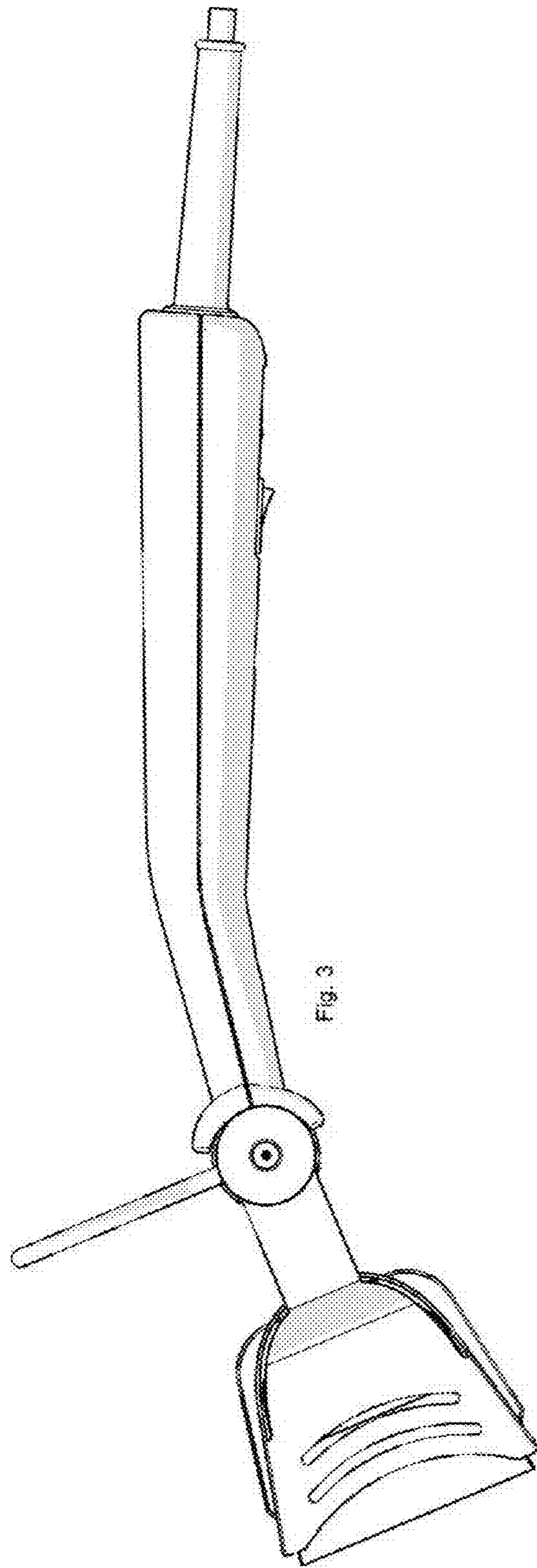
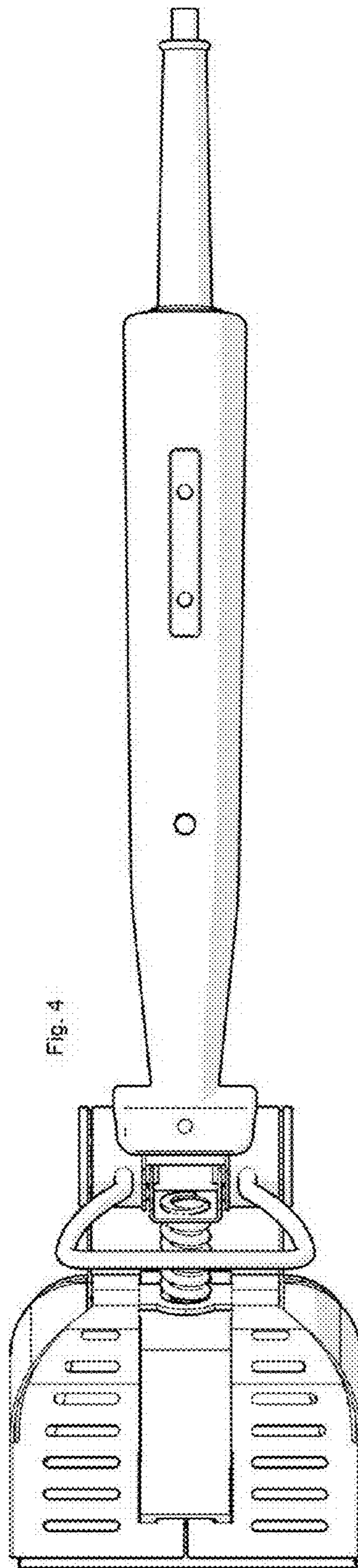


Fig. 3



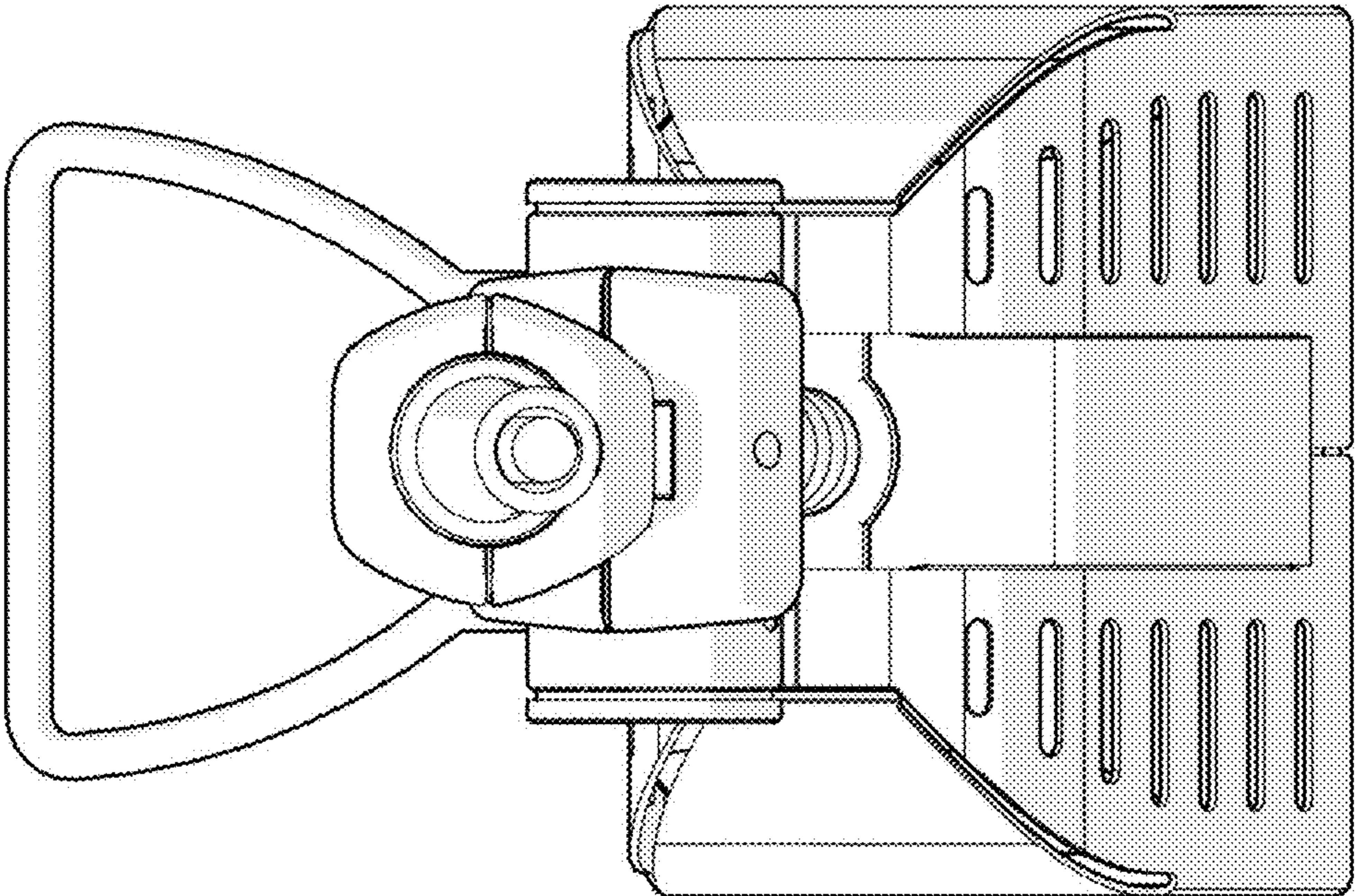


Fig. 5

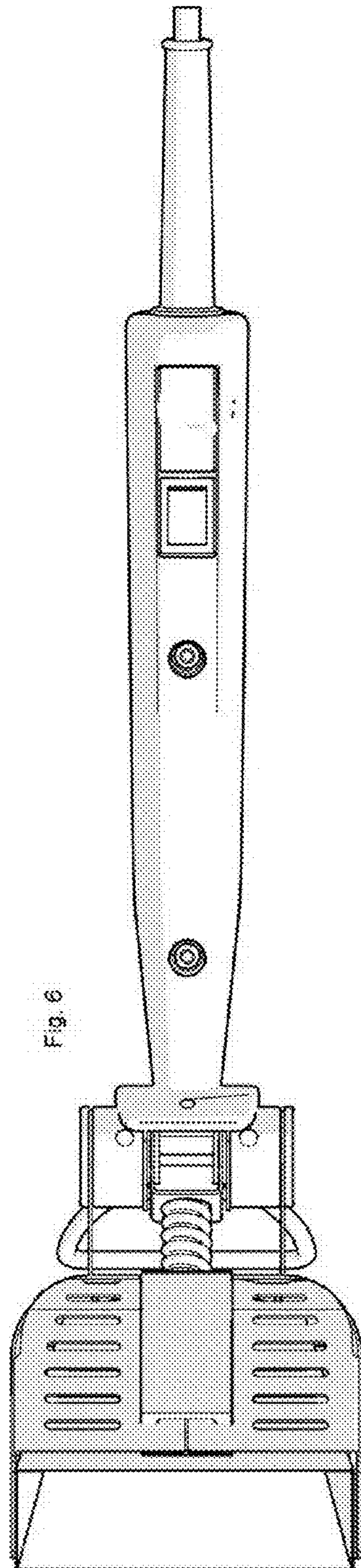


Fig. 6

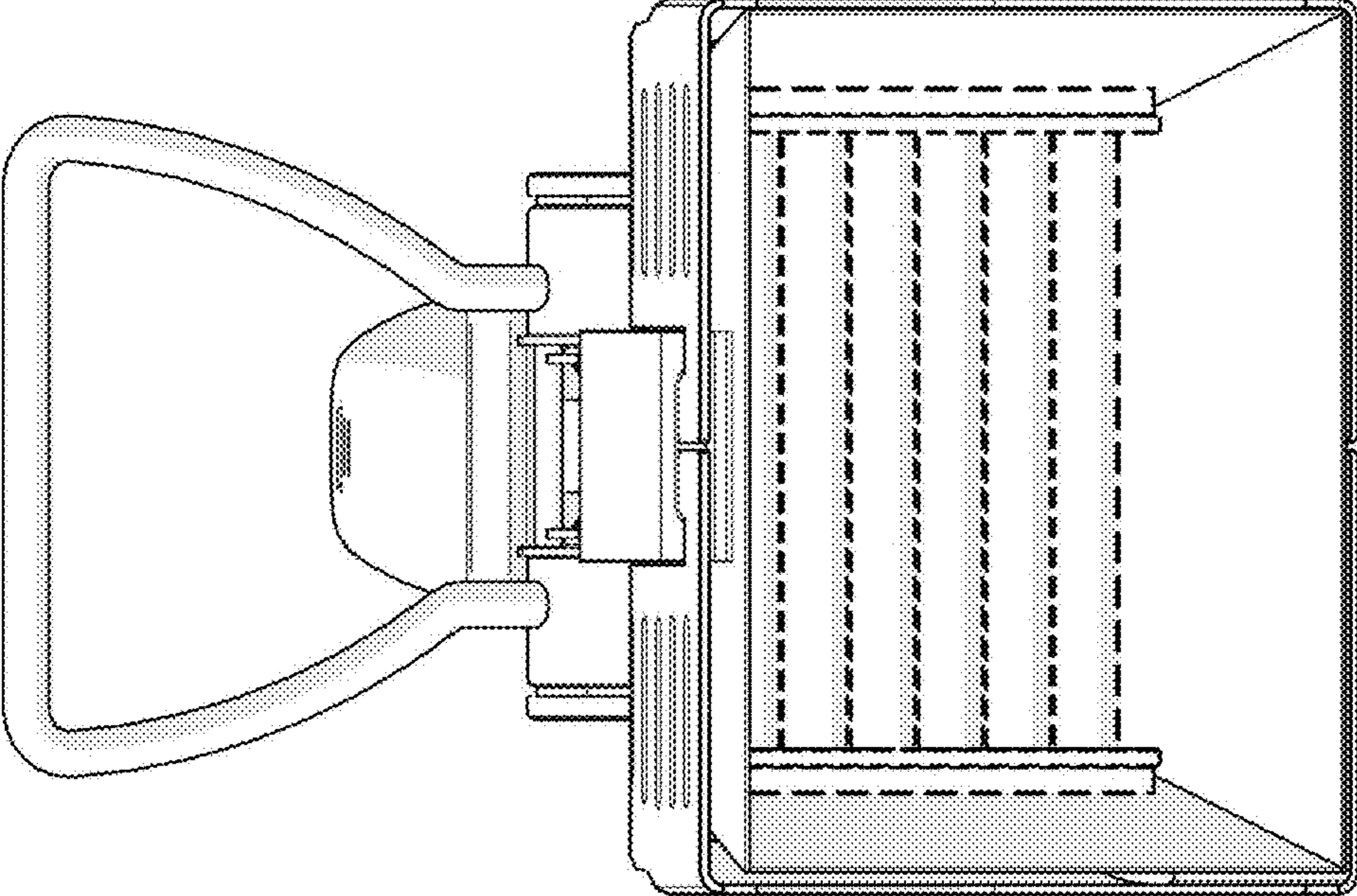


Fig. 7

UNITED STATES PATENT AND TRADEMARK OFFICE
CERTIFICATE OF CORRECTION

PATENT NO. : D735,306 S
APPLICATION NO. : 29/494311
DATED : July 28, 2015
INVENTOR(S) : Birger Ericsson et al.

Page 1 of 1

It is certified that error appears in the above-identified patent and that said Letters Patent is hereby corrected as shown below:

Title Page, Item (30) Foreign Application Priority Data: Change "EC" to --EM--.

Signed and Sealed this
Fifteenth Day of March, 2016



Michelle K. Lee
Director of the United States Patent and Trademark Office