



US00D735304S

(12) **United States Design Patent**
Currier

(10) **Patent No.:** **US D735,304 S**

(45) **Date of Patent:** **** Jul. 28, 2015**

- (54) **LOW PROFILE STEAM FITTING**
- (71) Applicant: **Strato, Inc.**, Piscataway, NJ (US)
- (72) Inventor: **George Currier**, Piscataway, NJ (US)
- (73) Assignee: **Strato, Inc.**, Piscataway, NJ (US)
- (**) Term: **14 Years**
- (21) Appl. No.: **29/451,179**
- (22) Filed: **Mar. 28, 2013**
- (51) **LOC (10) Cl.** **23-01**
- (52) **U.S. Cl.**
USPC **D23/263**
- (58) **Field of Classification Search**
USPC D23/259-269; D12/114, 126; D15/5, 7
CPC F16L 39/04; F01N 13/00; F01N 13/08
See application file for complete search history.

D340,933 S *	11/1993	Karlsson et al.	D15/5
D355,244 S *	2/1995	Doragrip et al.	D23/262
D379,850 S *	6/1997	Nelson	D23/259
D400,127 S *	10/1998	Golden et al.	D12/126
D400,828 S *	11/1998	Golden et al.	D12/126
D447,543 S *	9/2001	Quin	D23/259
D447,544 S *	9/2001	Quin	D23/259
D556,645 S *	12/2007	Madden	D12/126
D595,191 S *	6/2009	Madden	D12/126
8,529,228 B1 *	9/2013	Thompson	417/423.3

* cited by examiner

Primary Examiner — Eric Goodman

Assistant Examiner — Daniel J Domino

(74) *Attorney, Agent, or Firm* — Pearl Cohen Zedek Latzer Baratz LLP

(57) **CLAIM**

The ornamental design for a low profile steam fitting, as shown and described.

(56) **References Cited**

U.S. PATENT DOCUMENTS

1,620,089 A *	3/1927	Fischer	405/125
3,016,062 A *	1/1962	Zinniger	137/270
D202,406 S *	9/1965	Bennett et al.	D23/263
D206,421 S *	12/1966	Kilbourn et al.	D23/259
D207,476 S *	4/1967	Kilbourn et al.	D23/259
D249,264 S *	9/1978	Bingler	D15/7
D259,950 S *	7/1981	Henry	D23/259
D275,471 S *	9/1984	Stahel	D12/114
D277,696 S *	2/1985	Doman et al.	D23/261
D278,651 S *	4/1985	Hornak	D23/263
D279,663 S *	7/1985	Stahel	D12/126
D292,934 S *	11/1987	Alberico	D23/259
4,993,872 A *	2/1991	Lockwood	405/125

DESCRIPTION

FIG. 1 is a perspective view of a low-profile steam fitting.

FIG. 2 is a front view thereof.

FIG. 3 is a side view thereof.

FIG. 4 is an alternate side view thereof.

FIG. 5 is a rear end view thereof.

FIG. 6 is a top view thereof; and,

FIG. 7 is a bottom view thereof.

The broken line showing is included for the purpose of illustrating portions of the article and forms no part of the claimed design.

1 Claim, 7 Drawing Sheets

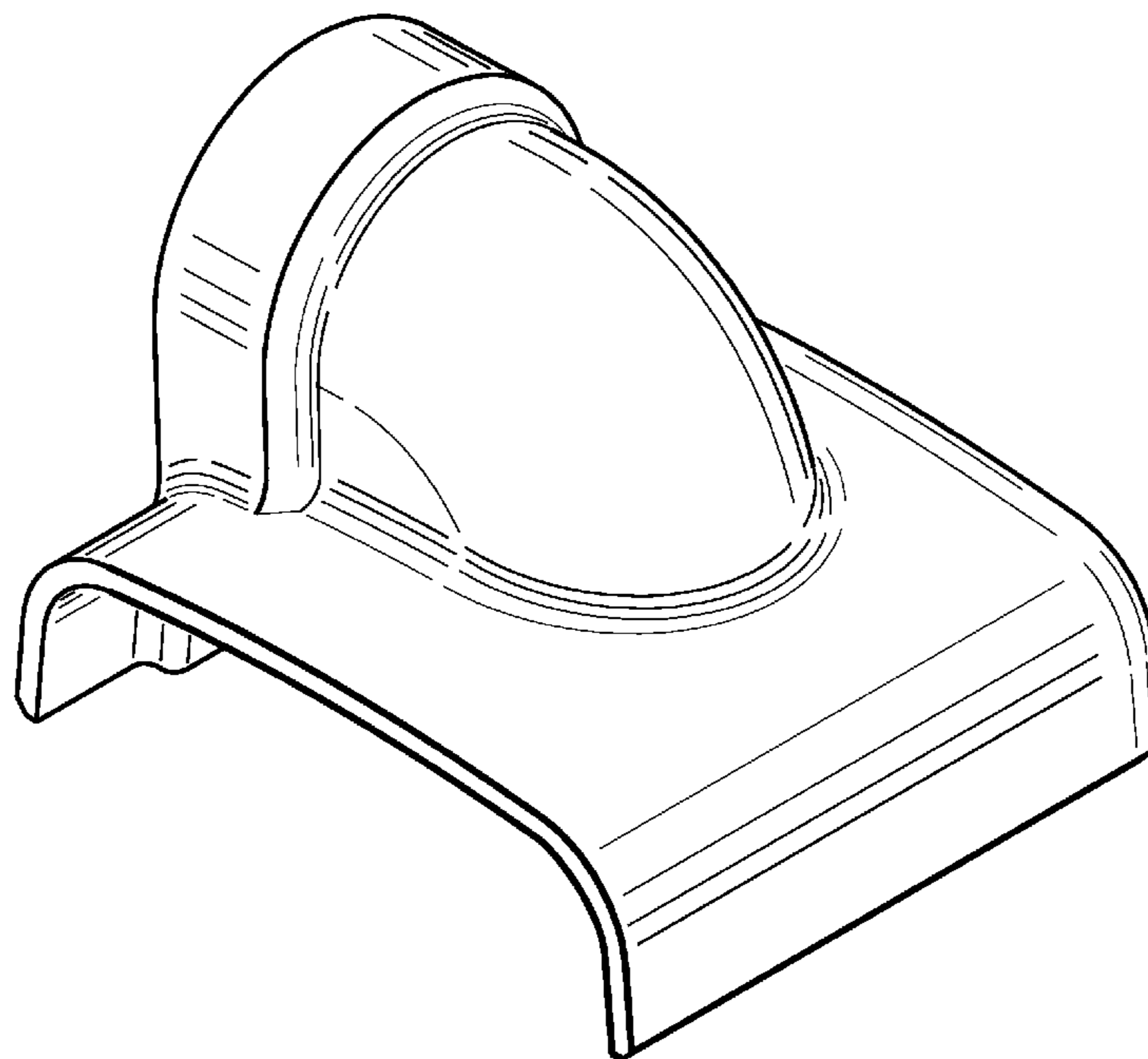


FIG. 1

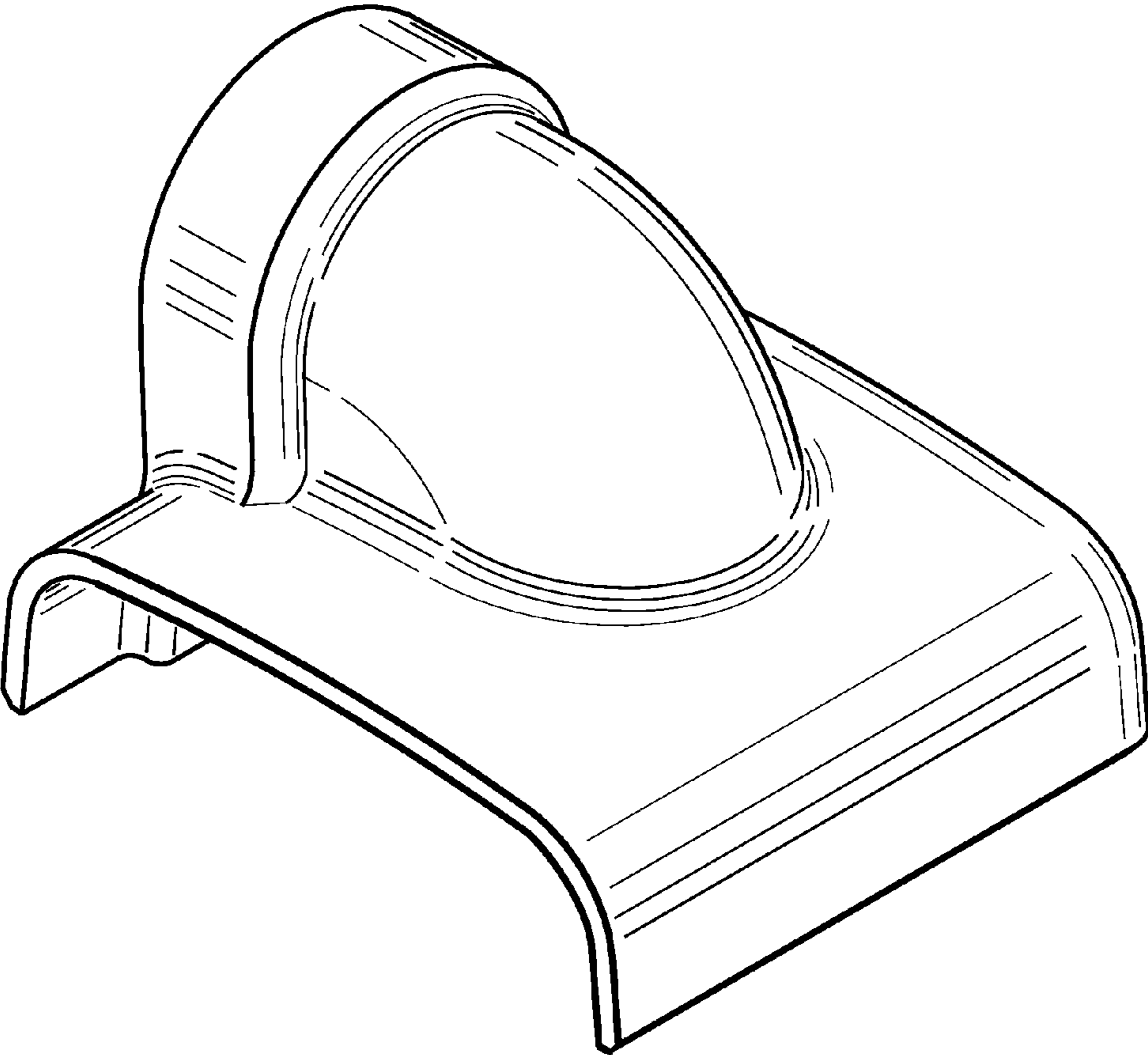


FIG. 2

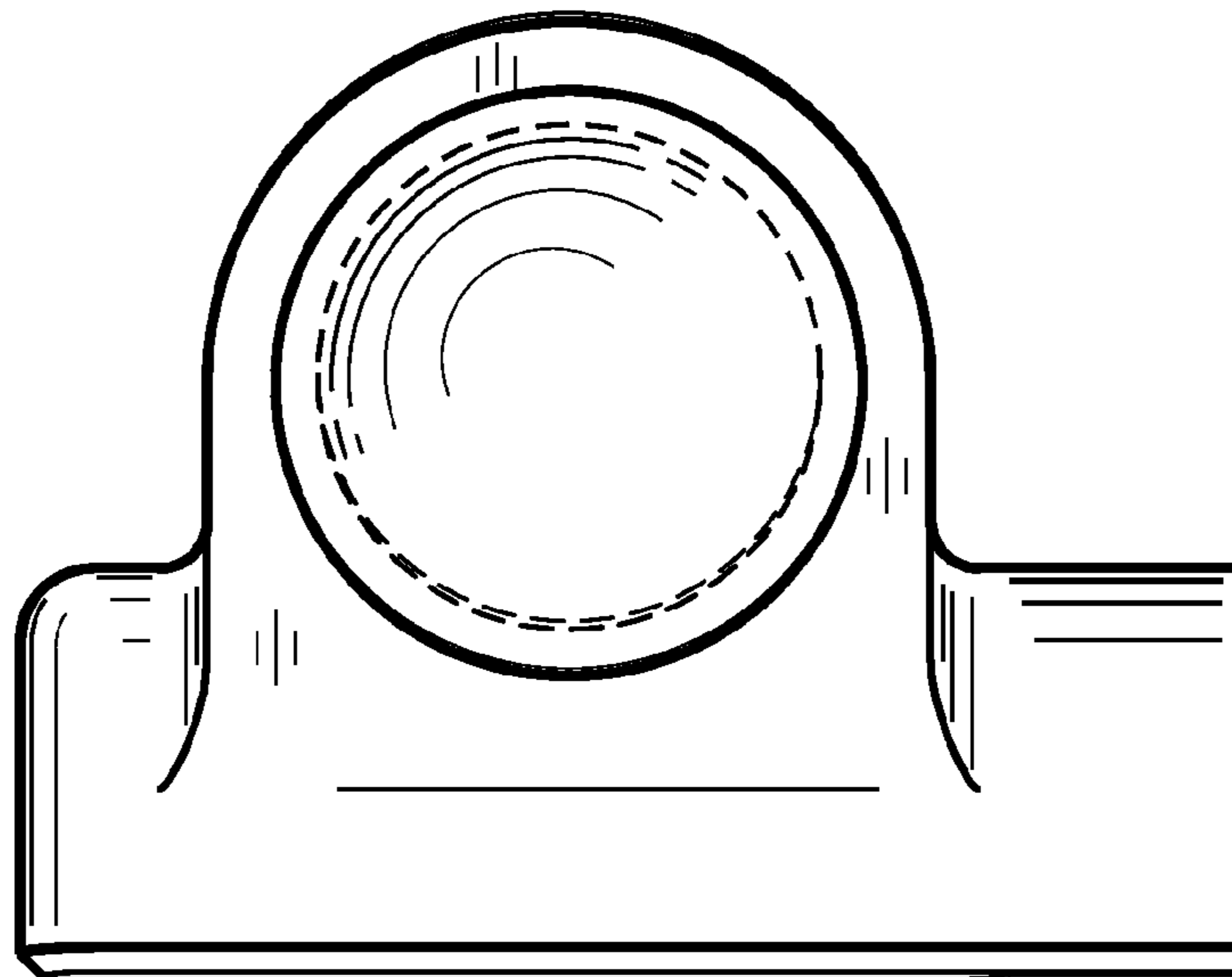


FIG. 3

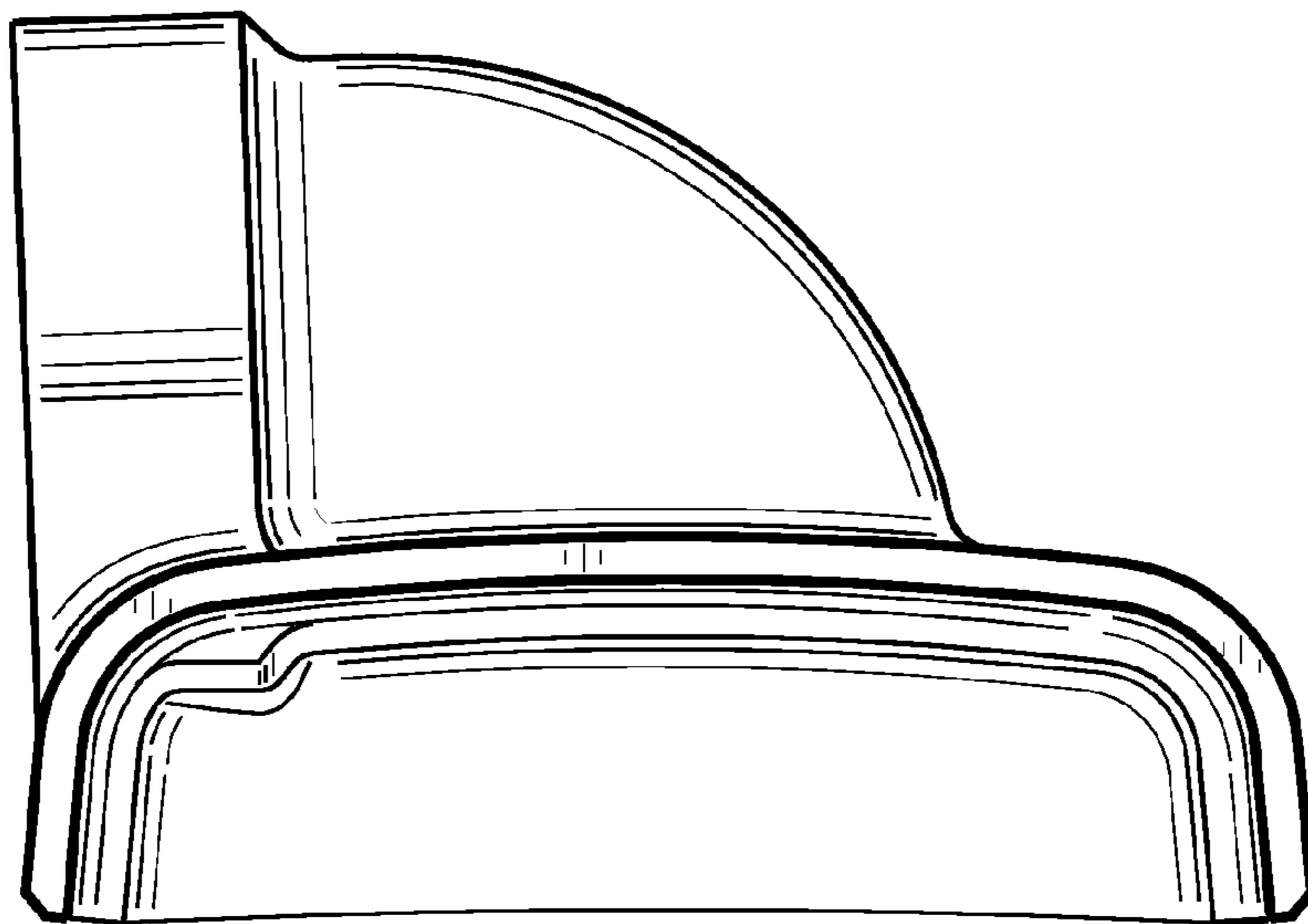


FIG. 4

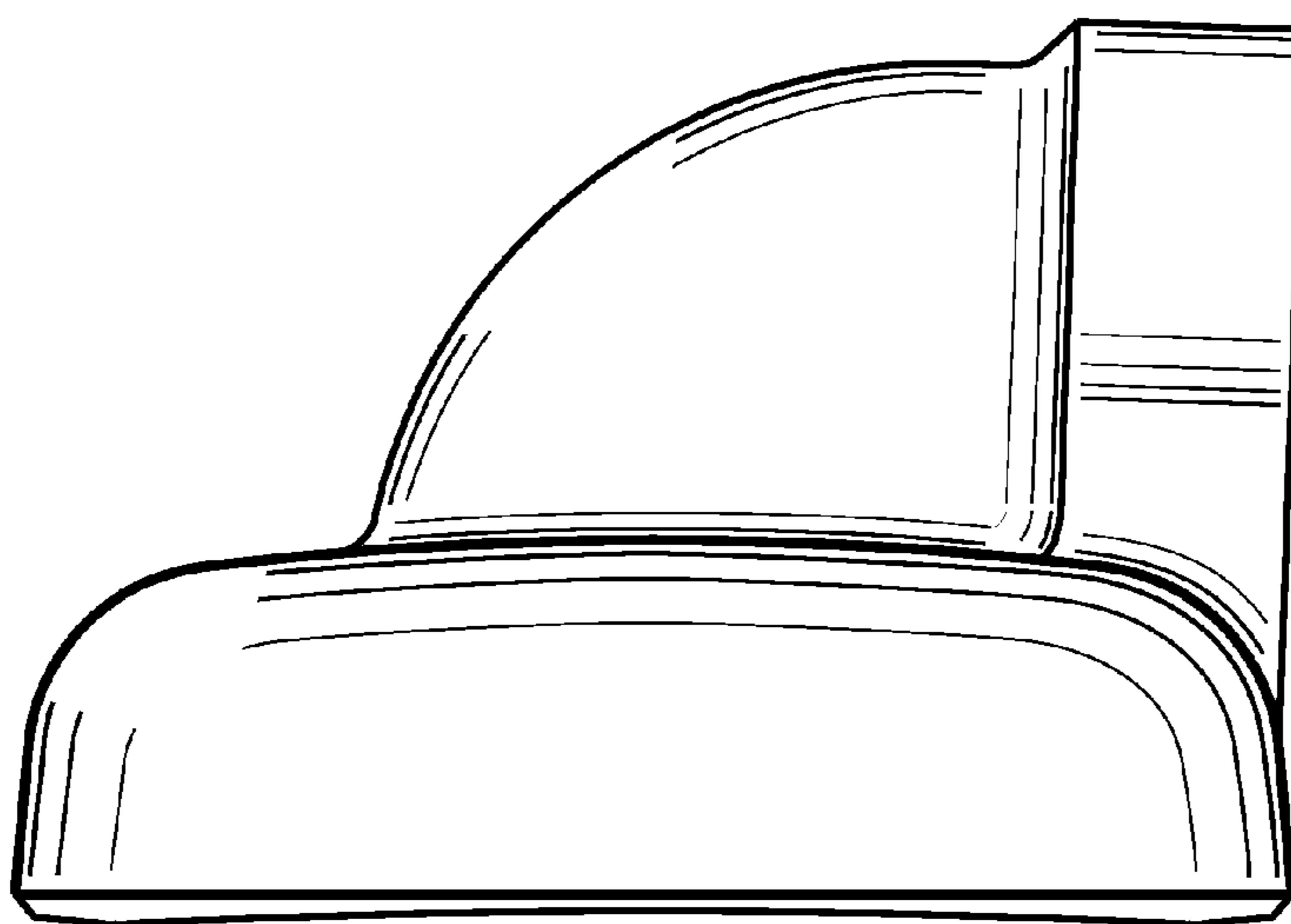


FIG. 5

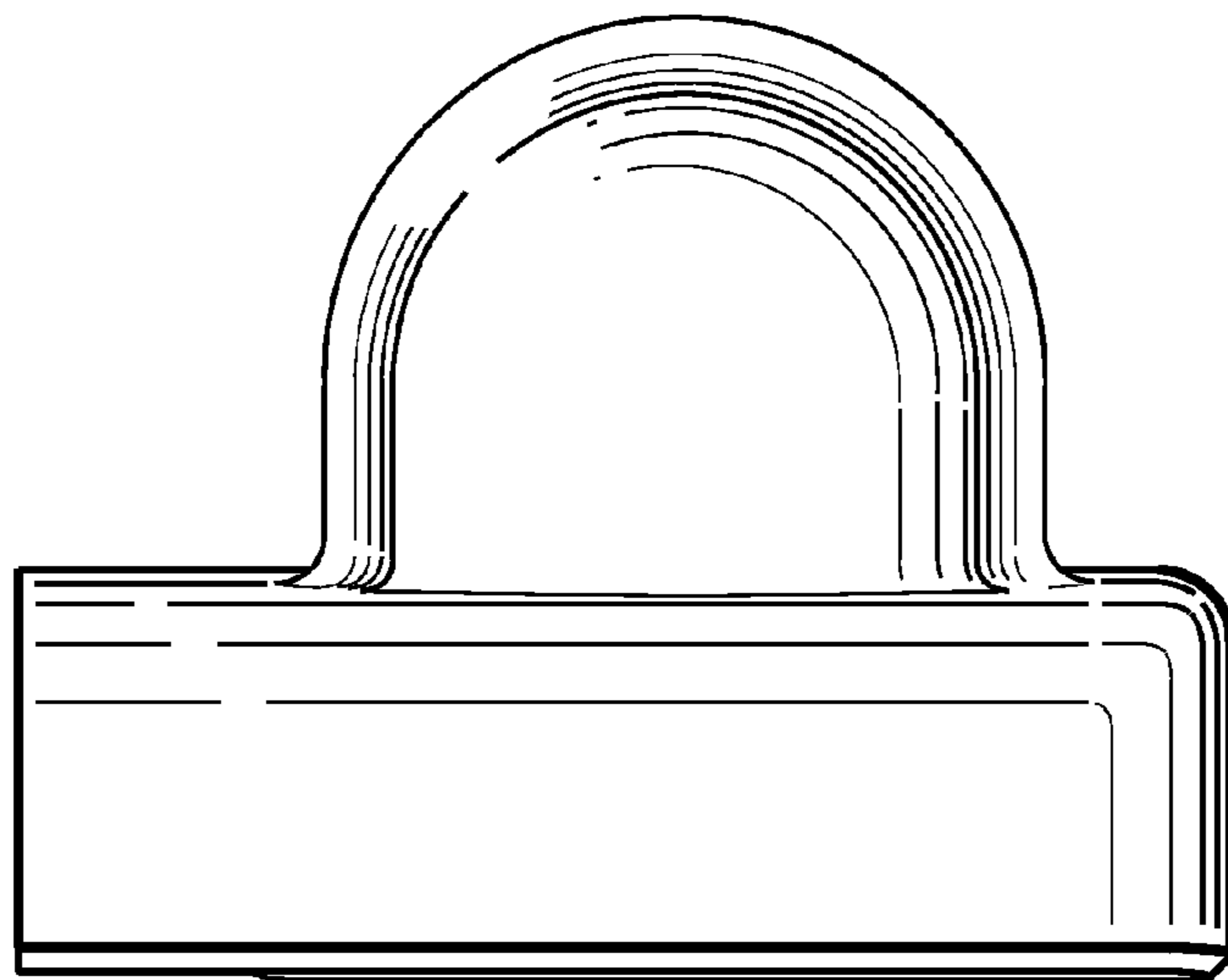


FIG. 6

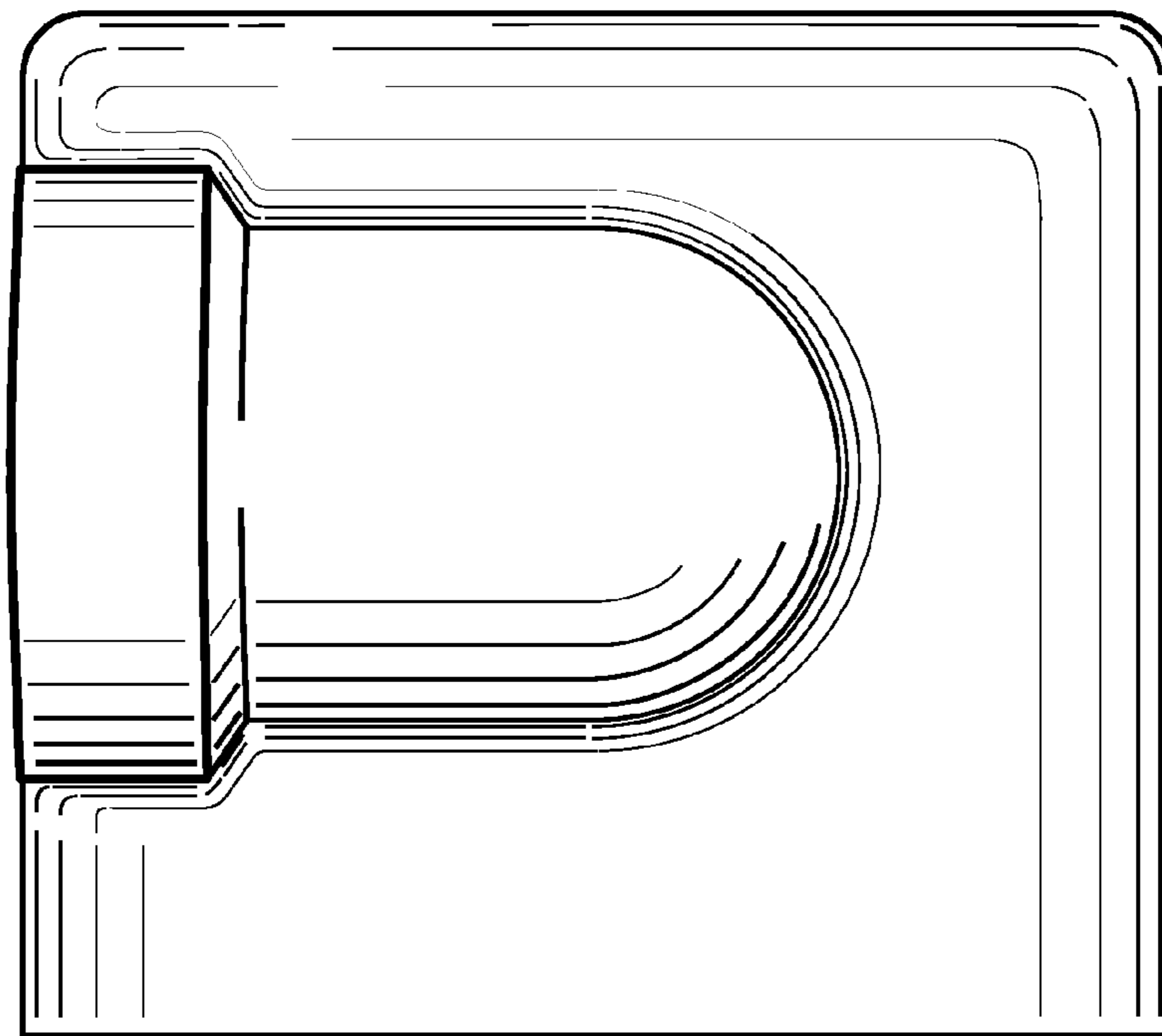


FIG. 7

