



US00D735303S

(12) **United States Design Patent**
Drury et al.

(10) **Patent No.:** **US D735,303 S**
(45) **Date of Patent:** **** Jul. 28, 2015**

(54) **JET BODY FOR USE WITH GROMMETS**

(71) Applicant: **Custom Molded Products, Inc.**,
Newnan, GA (US)
(72) Inventors: **William J. Drury**, Peachtree City, GA
(US); **H. Charles Li**, Peachtree City, GA
(US)
(73) Assignee: **Custom Molded Products, LLC**,
Newnan, GA (US)
(**) Term: **14 Years**

(21) Appl. No.: **29/470,729**
(22) Filed: **Oct. 24, 2013**
(51) **LOC (10) Cl.** **23-01**
(52) **U.S. Cl.**
USPC **D23/262**
(58) **Field of Classification Search**
USPC D23/259-268; 4/492, 443, 507, 541.1,
4/541.6, 215; 138/39, 103, 105, 109,
138/118, 121, 122, 157, 158; 285/58,
285/179-183
See application file for complete search history.

(56) **References Cited**

U.S. PATENT DOCUMENTS

D244,937	S	*	7/1977	Houk	D23/259
D284,603	S	*	7/1986	Loignon	D23/259
5,848,444	A	*	12/1998	Christopherson	4/541.6
5,915,849	A	*	6/1999	Dongo	4/541.6
D437,633	S	*	2/2001	Weise et al.	D23/263
6,470,508	B2	*	10/2002	Turner	4/541.1

(Continued)

OTHER PUBLICATIONS

The 3" Bath Series Jet is flow adjustable with an air inlet., product guide, c-m-p.com, Searched Dec. 18, 2014, <http://www.c-m-p.com/bath-products/bath-jets/bath-series-jets/3-tp-jet/>.*

Primary Examiner — John Windmuller
Assistant Examiner — Steven Cxyz

(74) *Attorney, Agent, or Firm* — Laurence P. Colton; Smith Risley Tempel Santos LLC

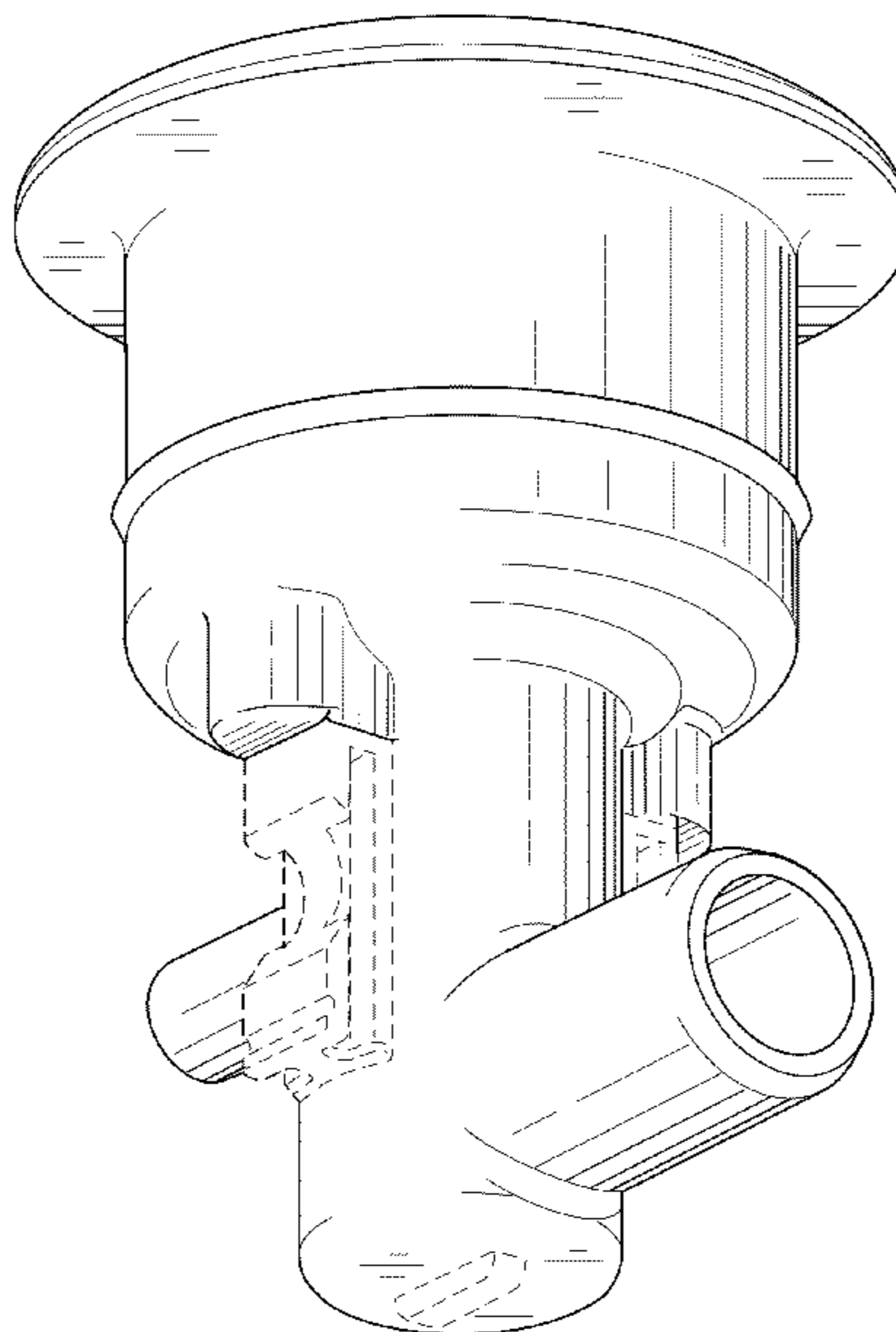
(57) **CLAIM**

The ornamental design for a jet body for use with grommets, as shown and described.

DESCRIPTION

FIG. 1 is a side perspective view of a first embodiment showing the new design for a jet body for use with grommets. FIG. 2 is a front view of the first embodiment thereof. FIG. 3 is a rear view of the first embodiment thereof. FIG. 4 is a right side view of the first embodiment thereof. FIG. 5 is a left side view of the first embodiment thereof. FIG. 6 is a top view of the first embodiment thereof. FIG. 7 is a bottom view of the first embodiment thereof. FIG. 8 is a side perspective view of a second embodiment thereof. FIG. 9 is a front view of the second embodiment thereof. FIG. 10 is a rear view of the second embodiment thereof. FIG. 11 is a right side view of the second embodiment thereof. FIG. 12 is a left side view of the second embodiment thereof. FIG. 13 is a top view of the second embodiment thereof; and, FIG. 14 is a bottom view of the second embodiment thereof. The broken line showing is included for the purpose of illustrating portions of the article and forms no part of the claimed design.

1 Claim, 14 Drawing Sheets



(56)

References Cited

U.S. PATENT DOCUMENTS

6,691,336	B2 *	2/2004	Buck	4/541.6	2008/0127407	A1 *	6/2008	Wooten	4/541.6
D550,334	S *	9/2007	De Alba	D23/259	2009/0133188	A1 *	5/2009	Peng et al.	4/541.6
D612,912	S *	3/2010	Delaney et al.	D23/259	2009/0249539	A1 *	10/2009	Holtsnider	4/541.6
D613,826	S *	4/2010	Hall et al.	D23/259	2009/0276952	A1 *	11/2009	Wooten	4/541.6
D678,481	S *	3/2013	Branco	D23/260	2010/0299825	A1 *	12/2010	Fleischer	4/541.6
8,869,320	B1 *	10/2014	Santamarina et al.	4/541.6	2011/0004993	A1 *	1/2011	Frei	4/492
2007/0033725	A1 *	2/2007	Holtsnider	4/541.6	2012/0174312	A1 *	7/2012	Loyd et al.	4/541.6
						2012/0192348	A1 *	8/2012	Campbell	4/541.6
						2012/0272447	A1 *	11/2012	Fleischer	4/541.6

* cited by examiner

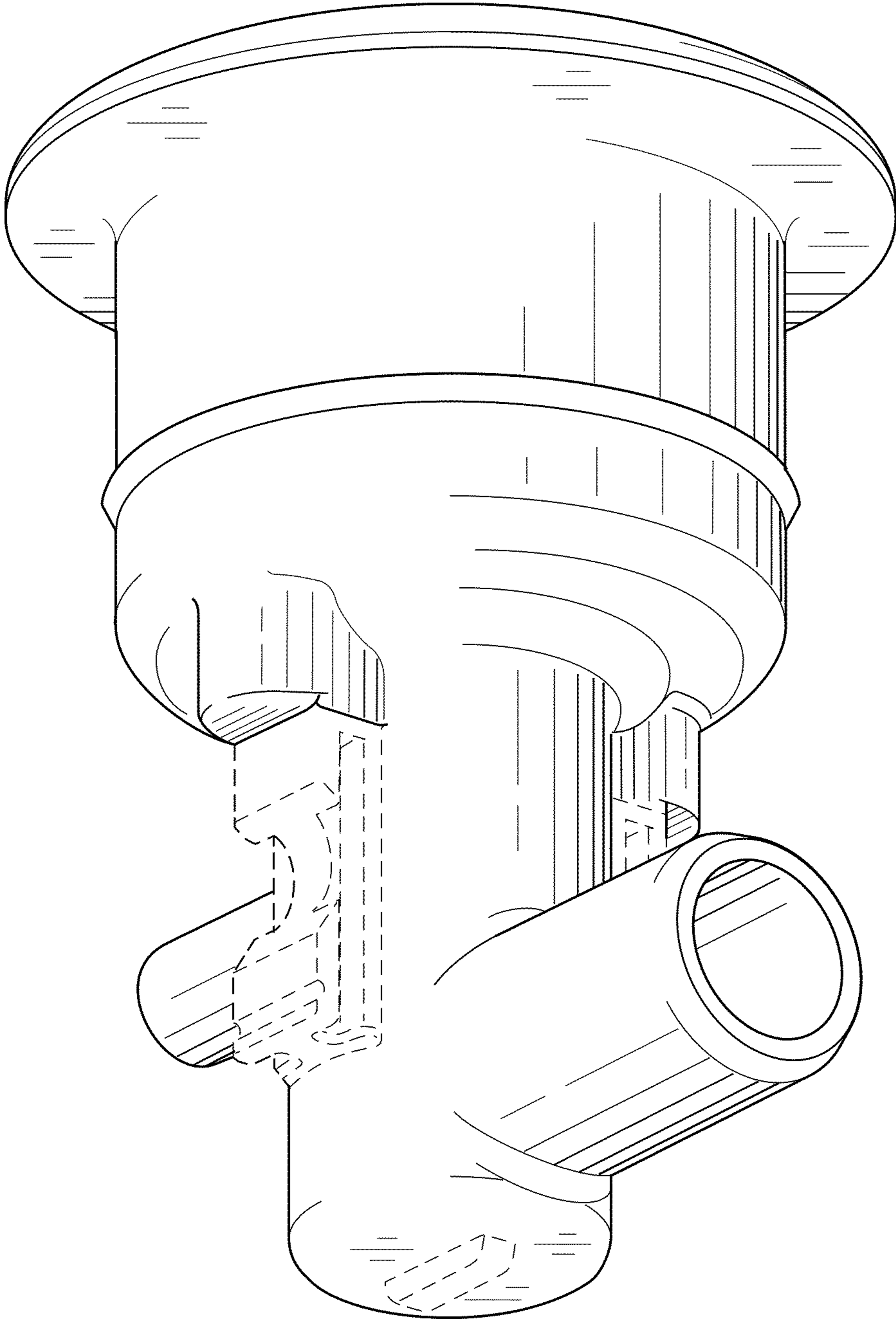


FIG. 1

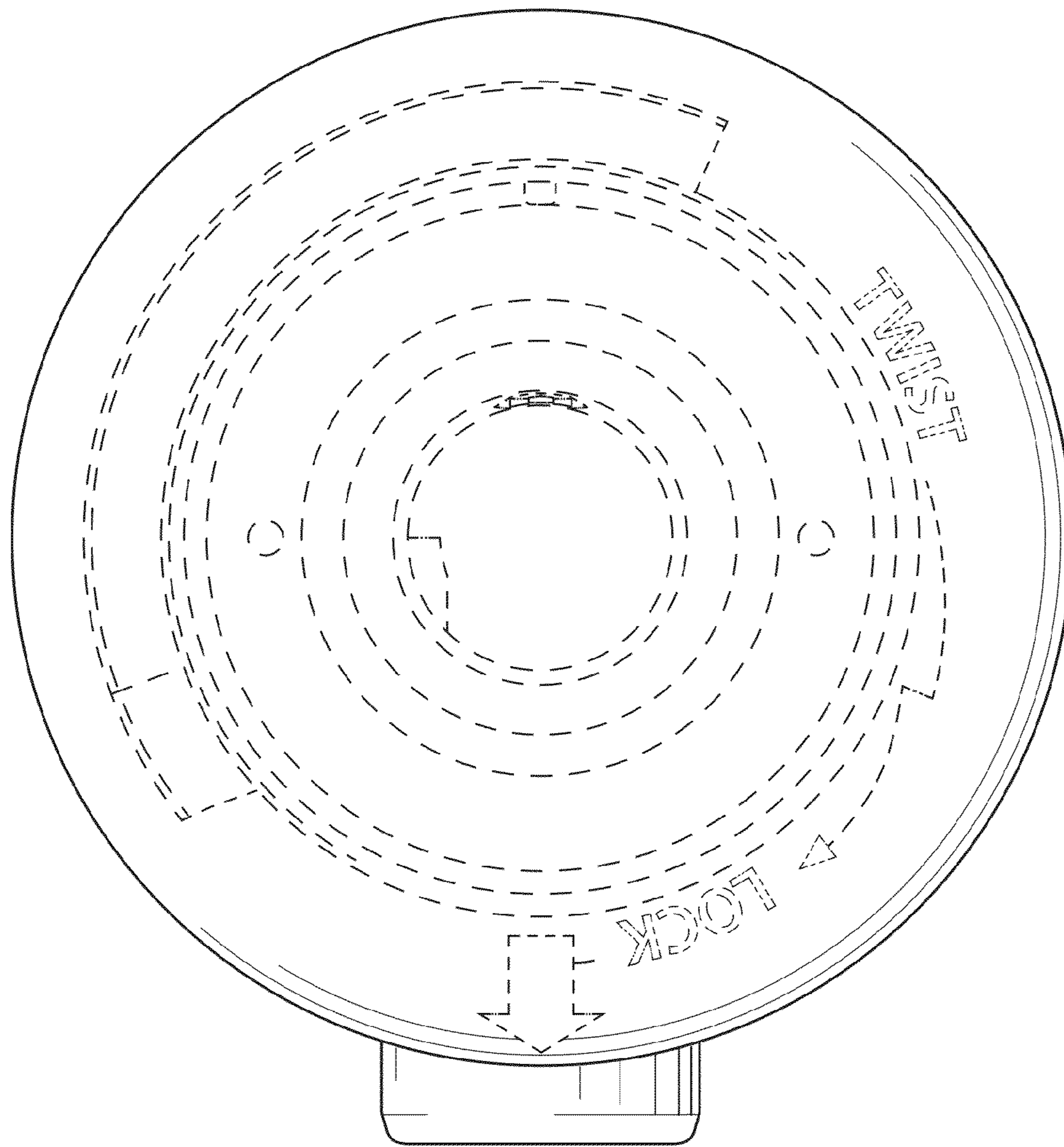


Fig. 2

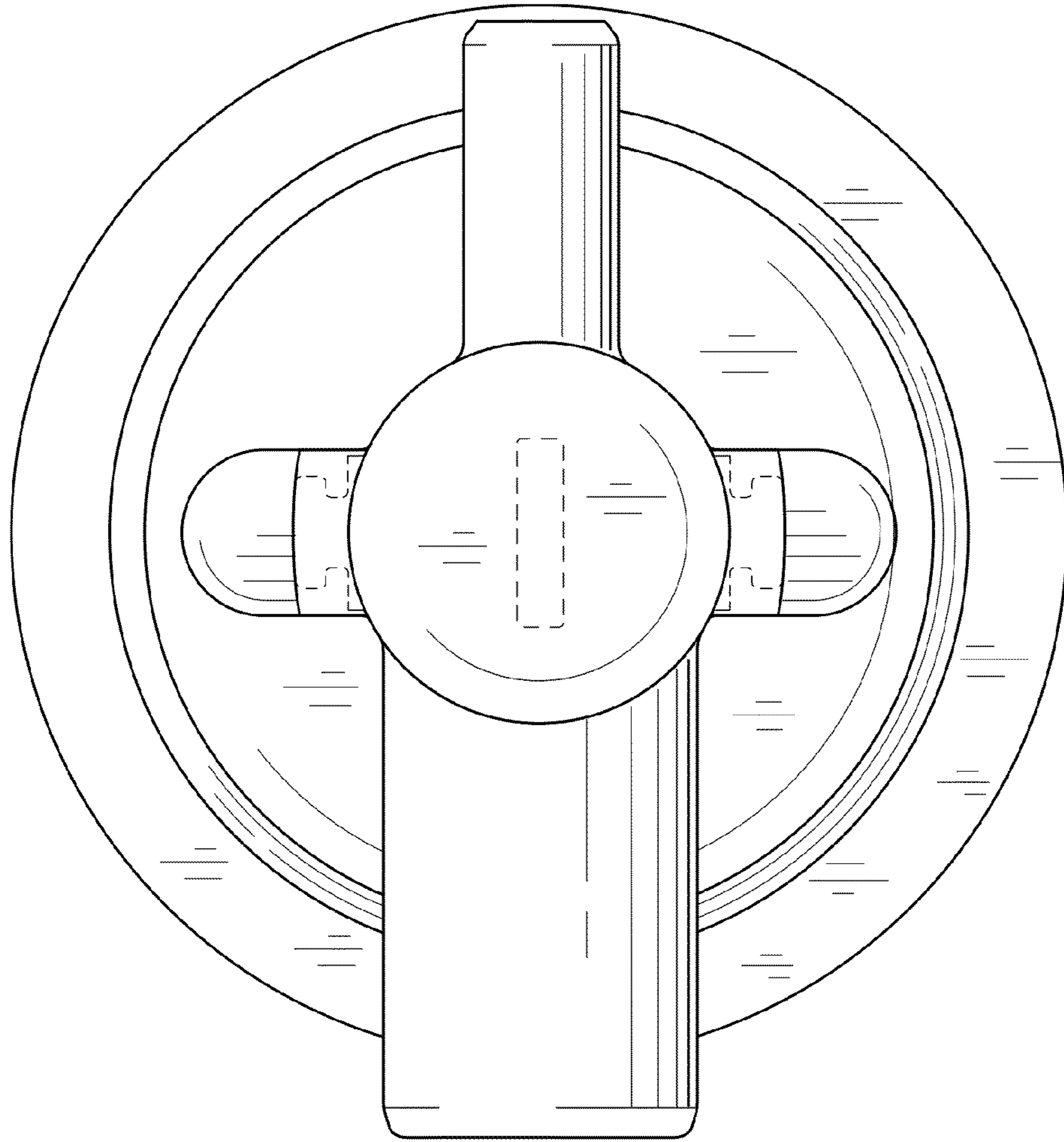


FIG. 3

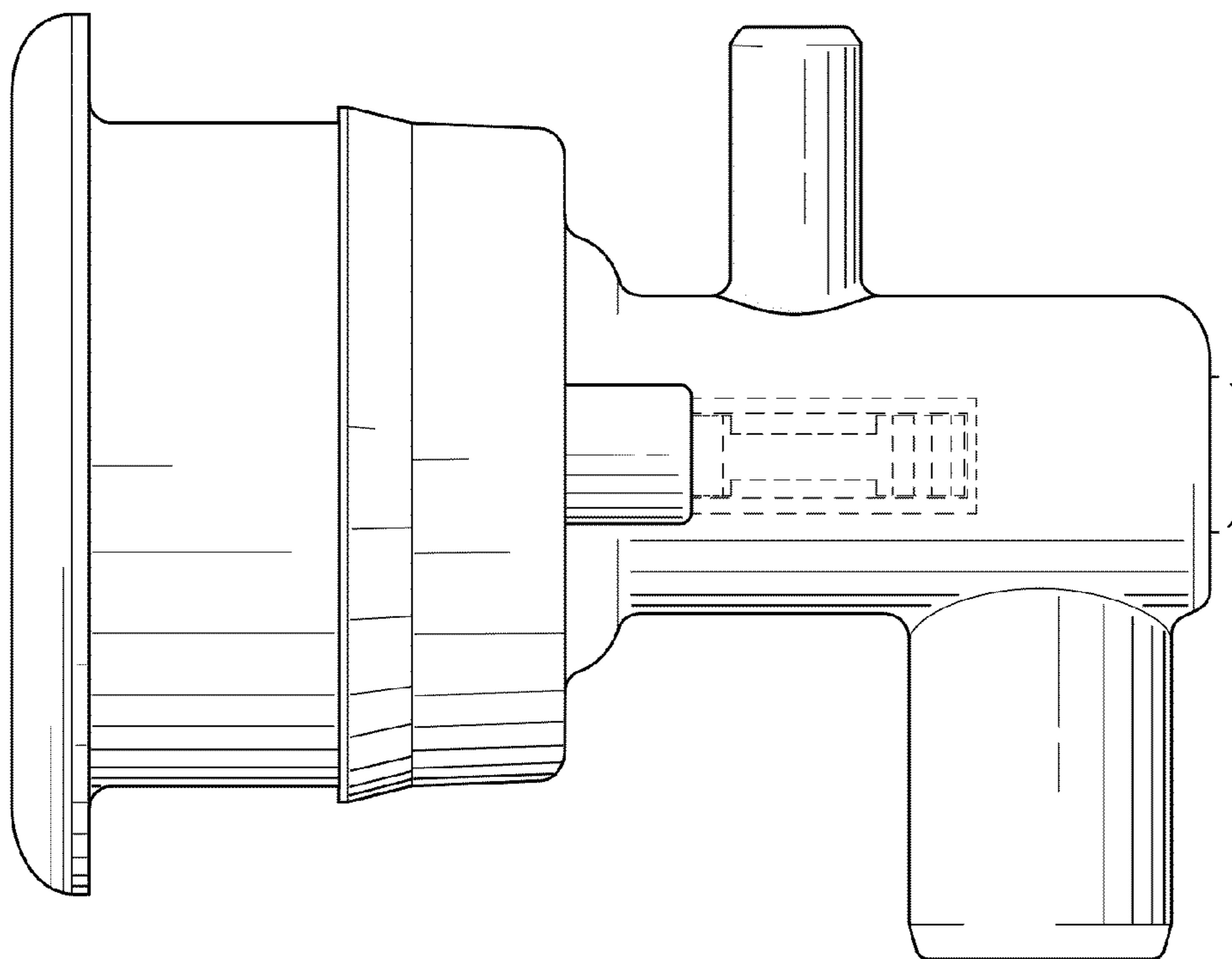


FIG. 4

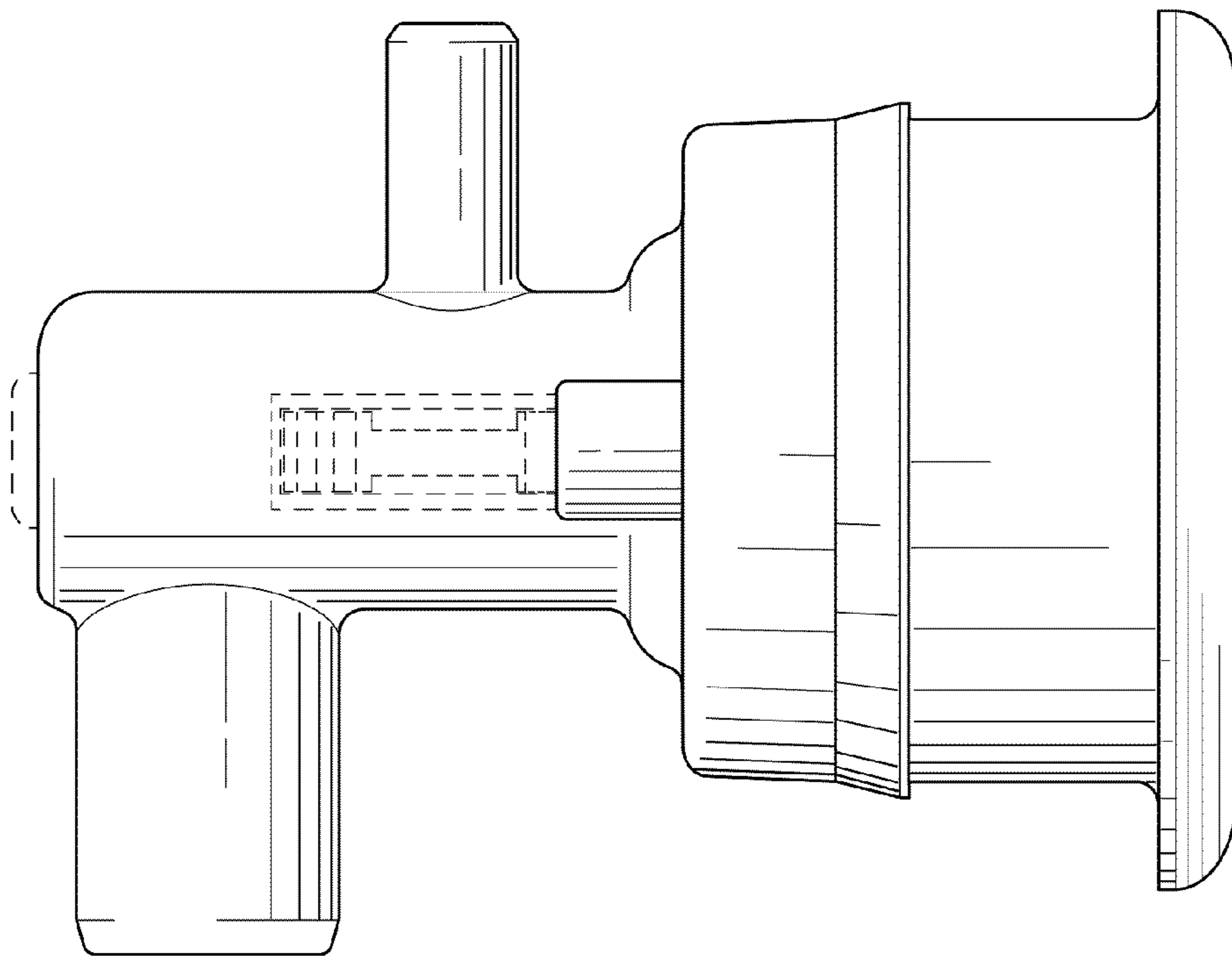


FIG. 5

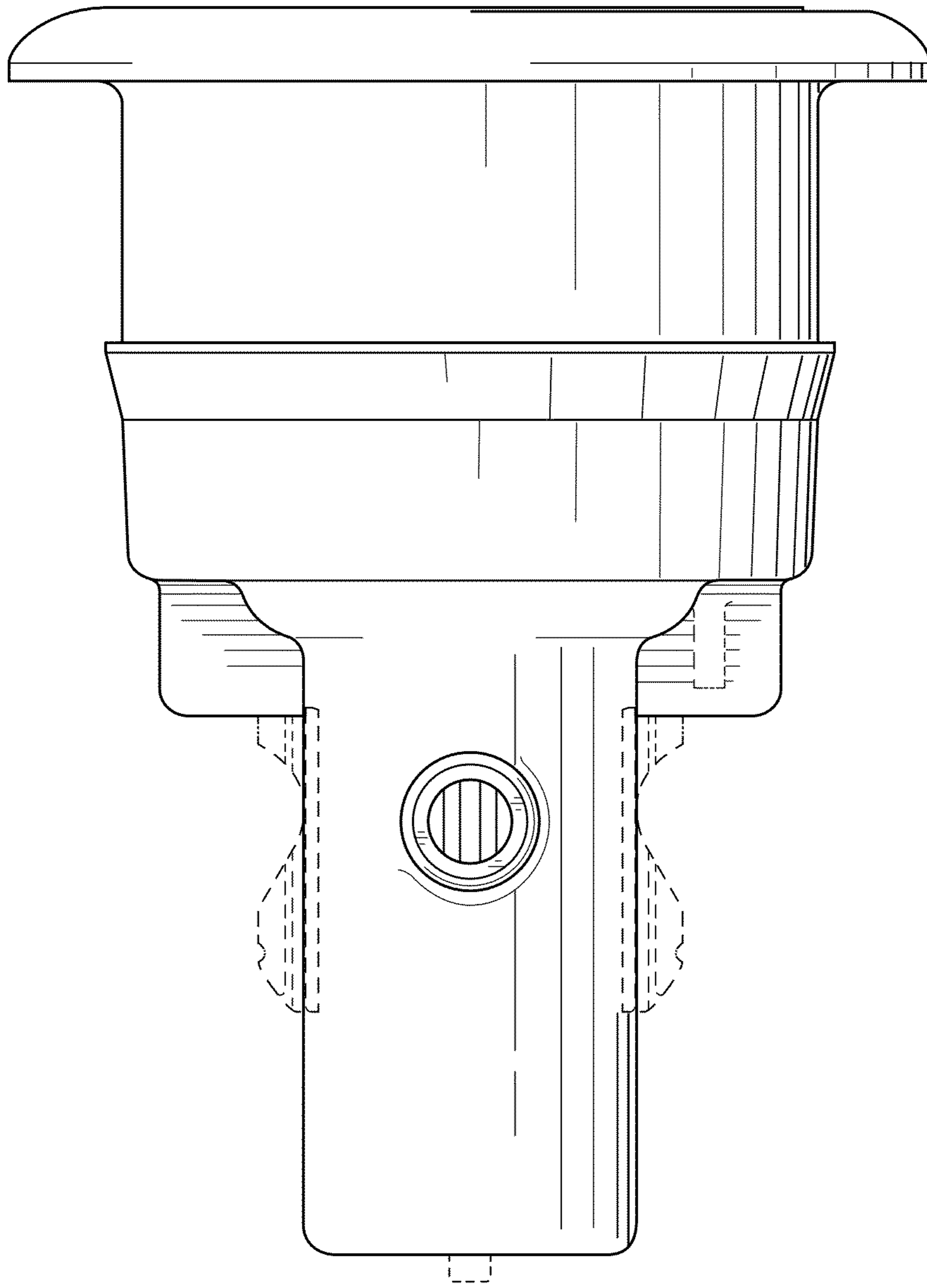


FIG. 6

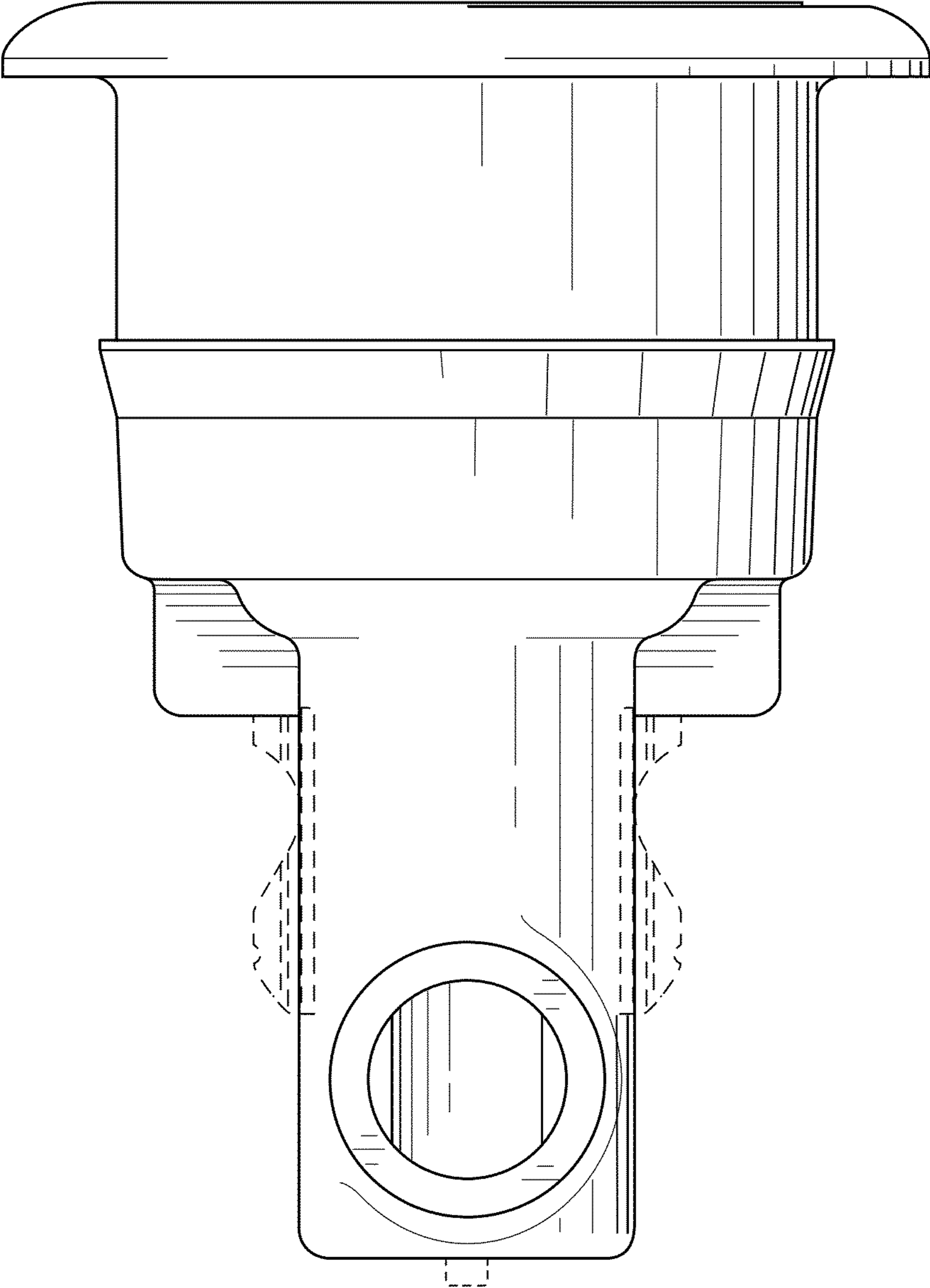


FIG. 7

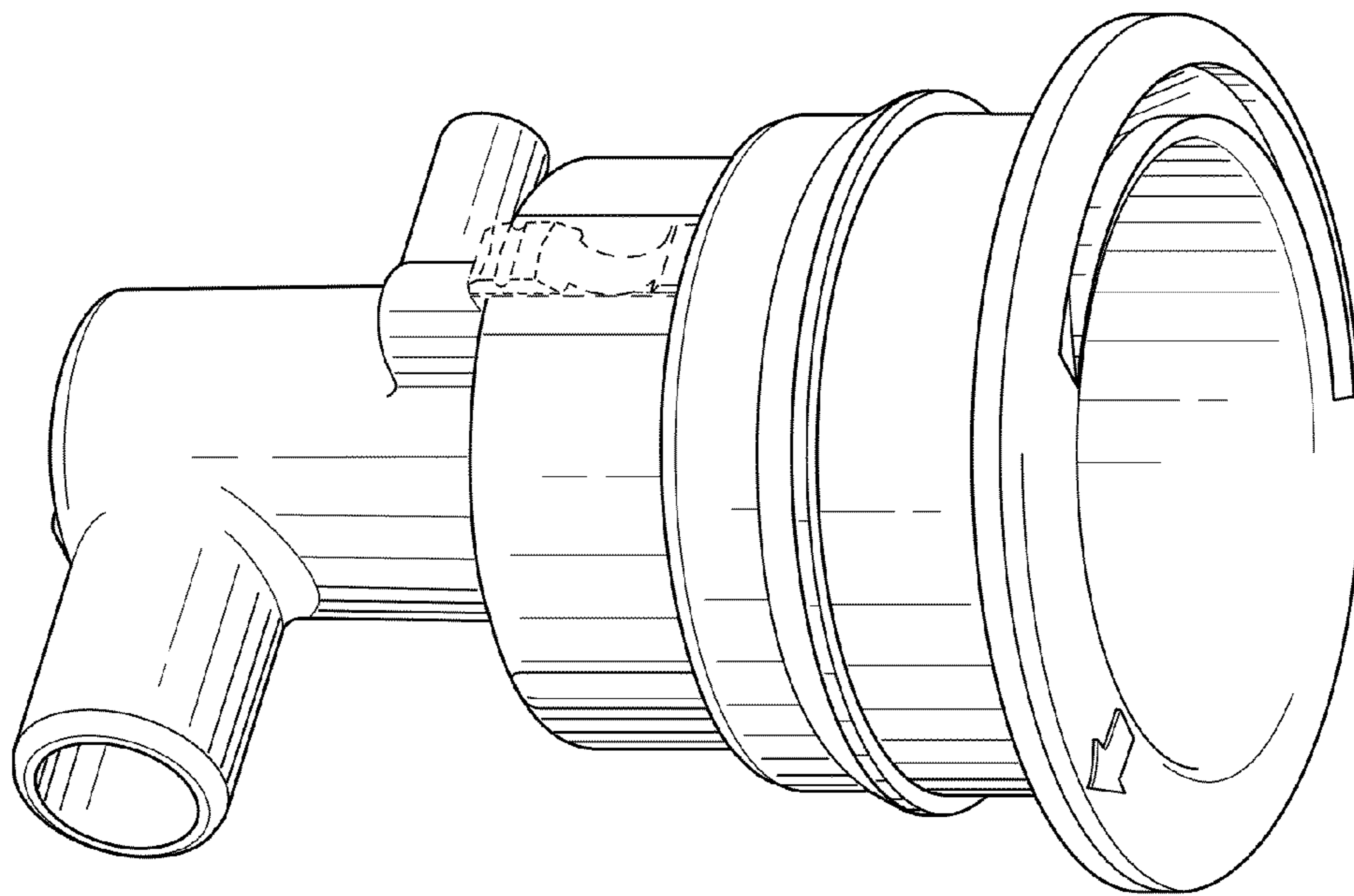


FIG. 8

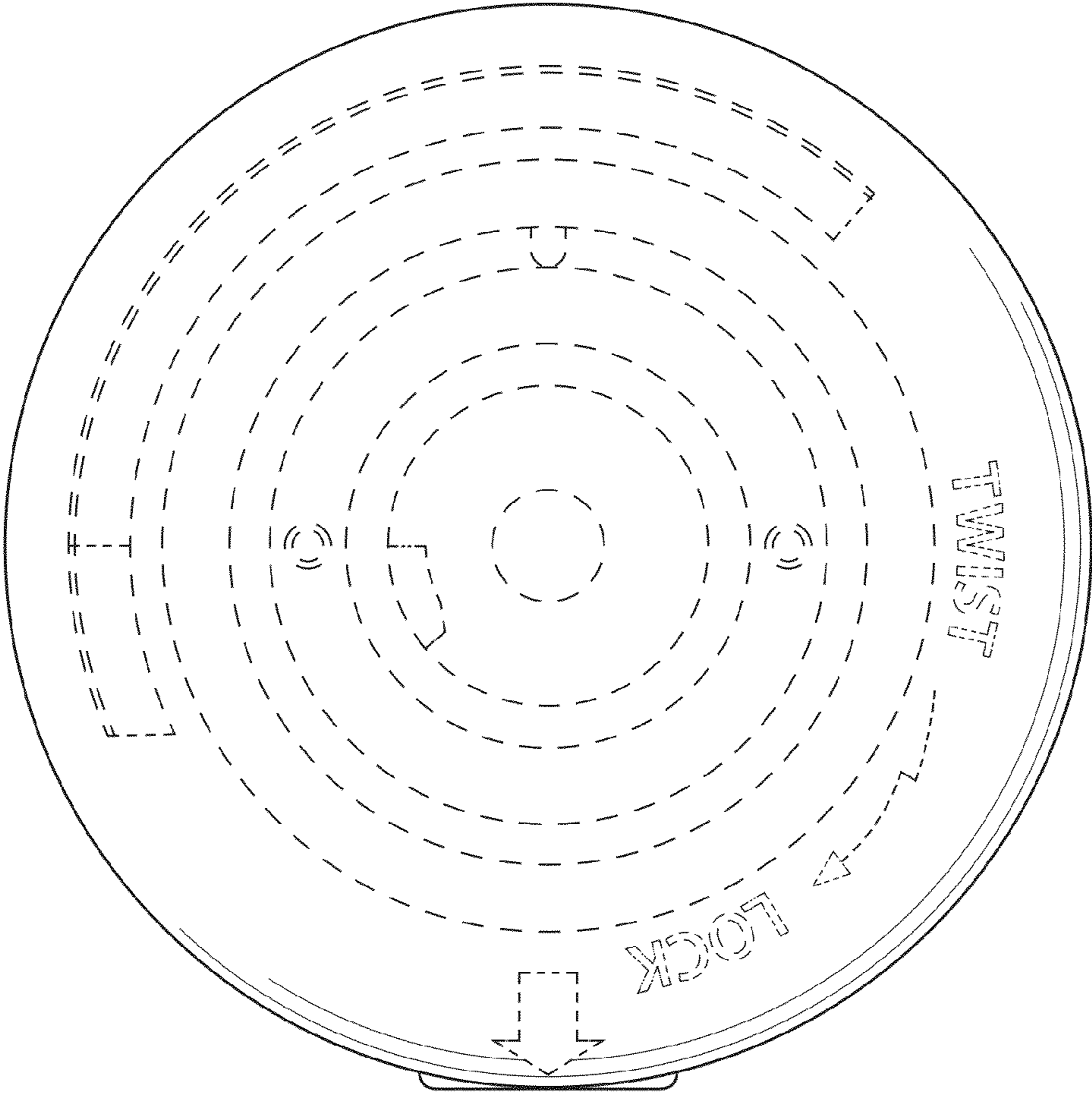


Fig. 9

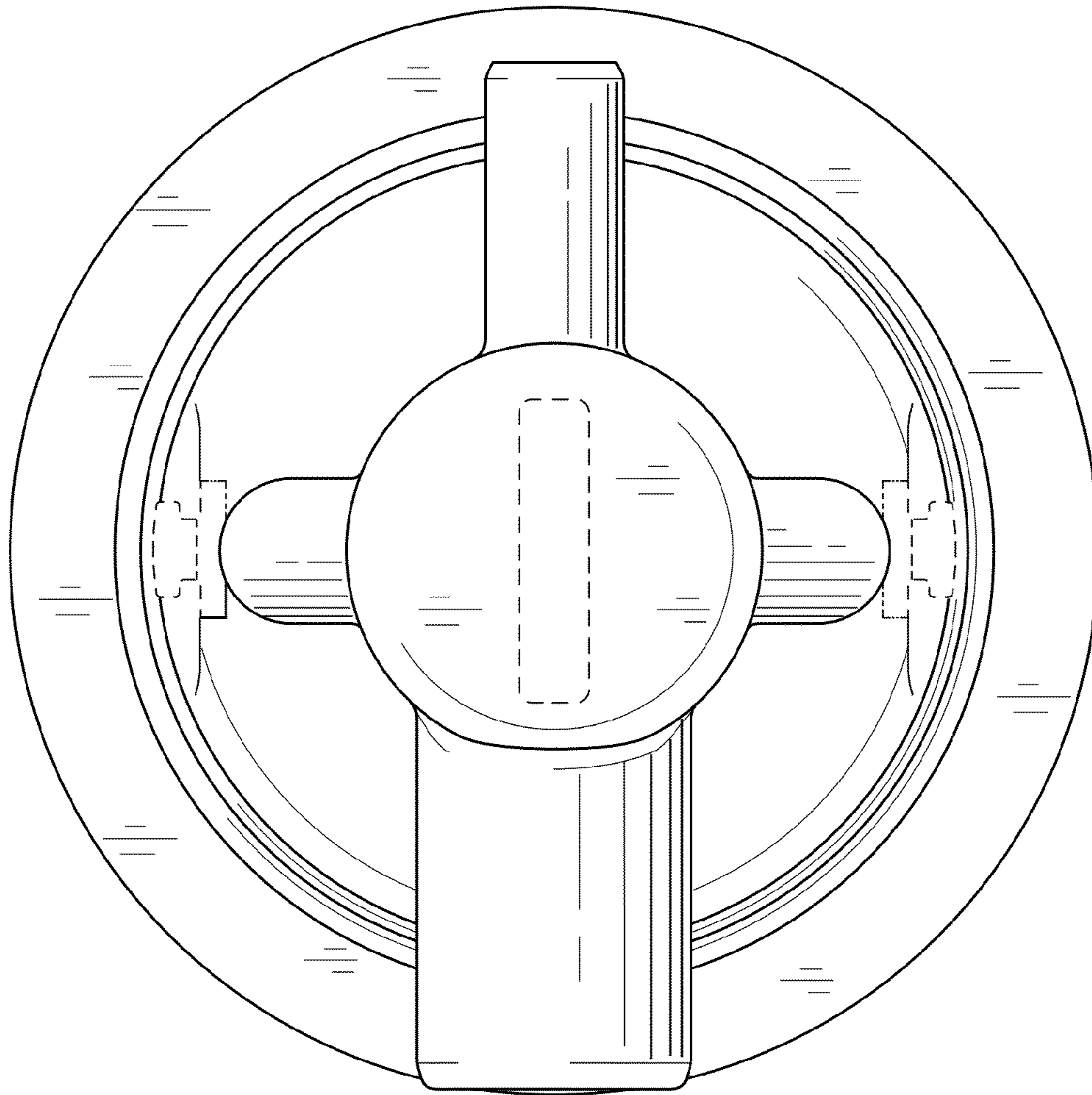


FIG. 10

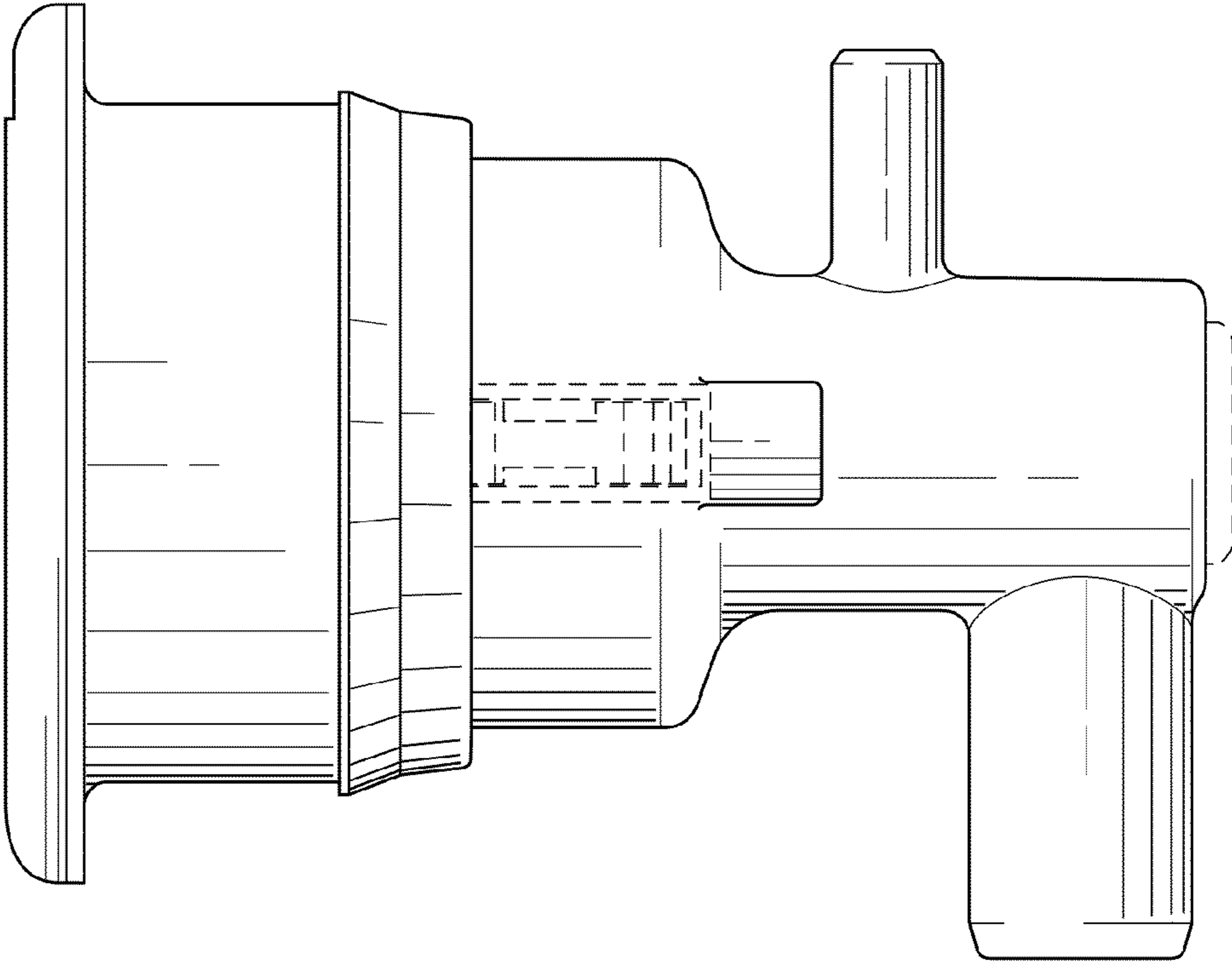


FIG. 11

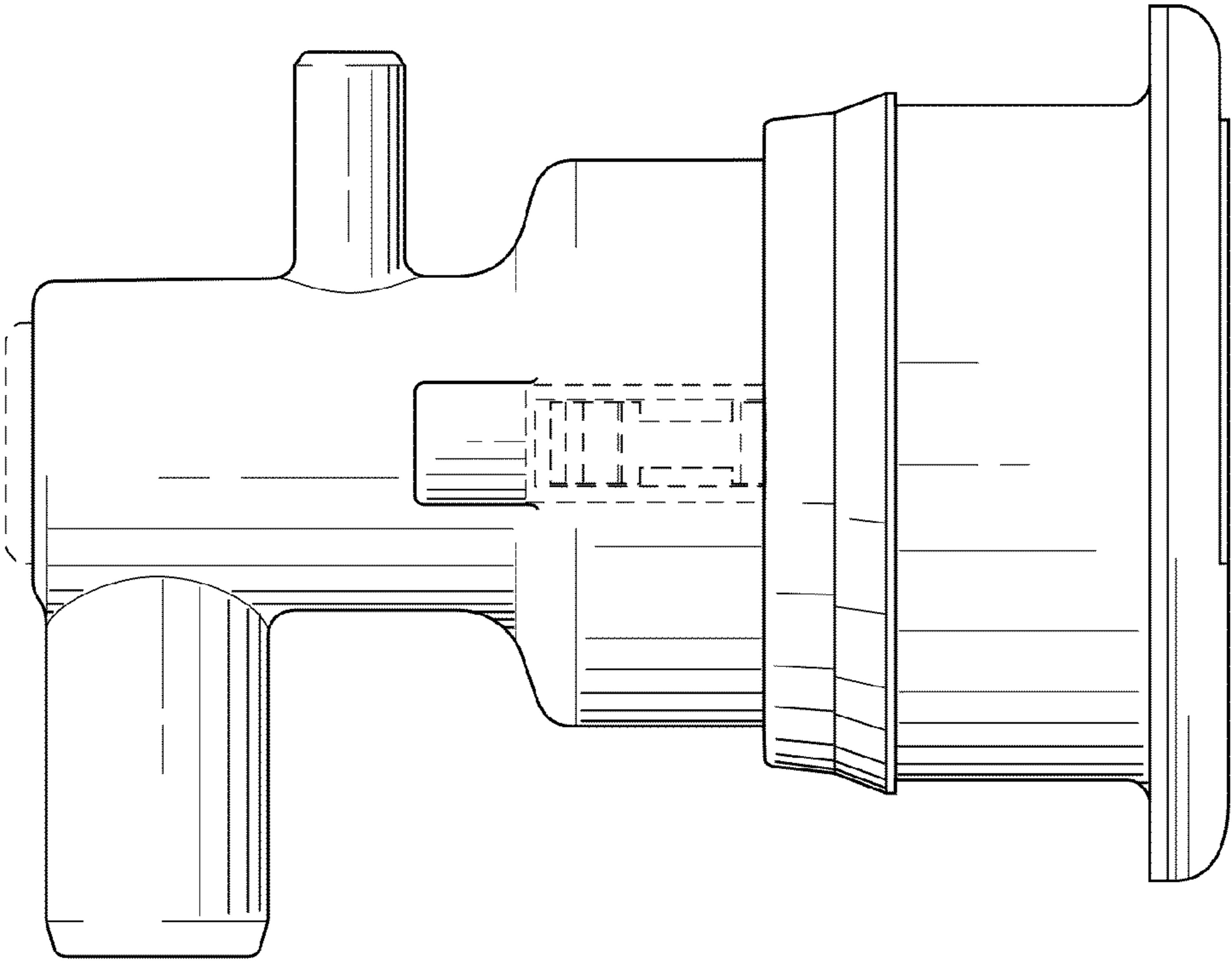


FIG. 12

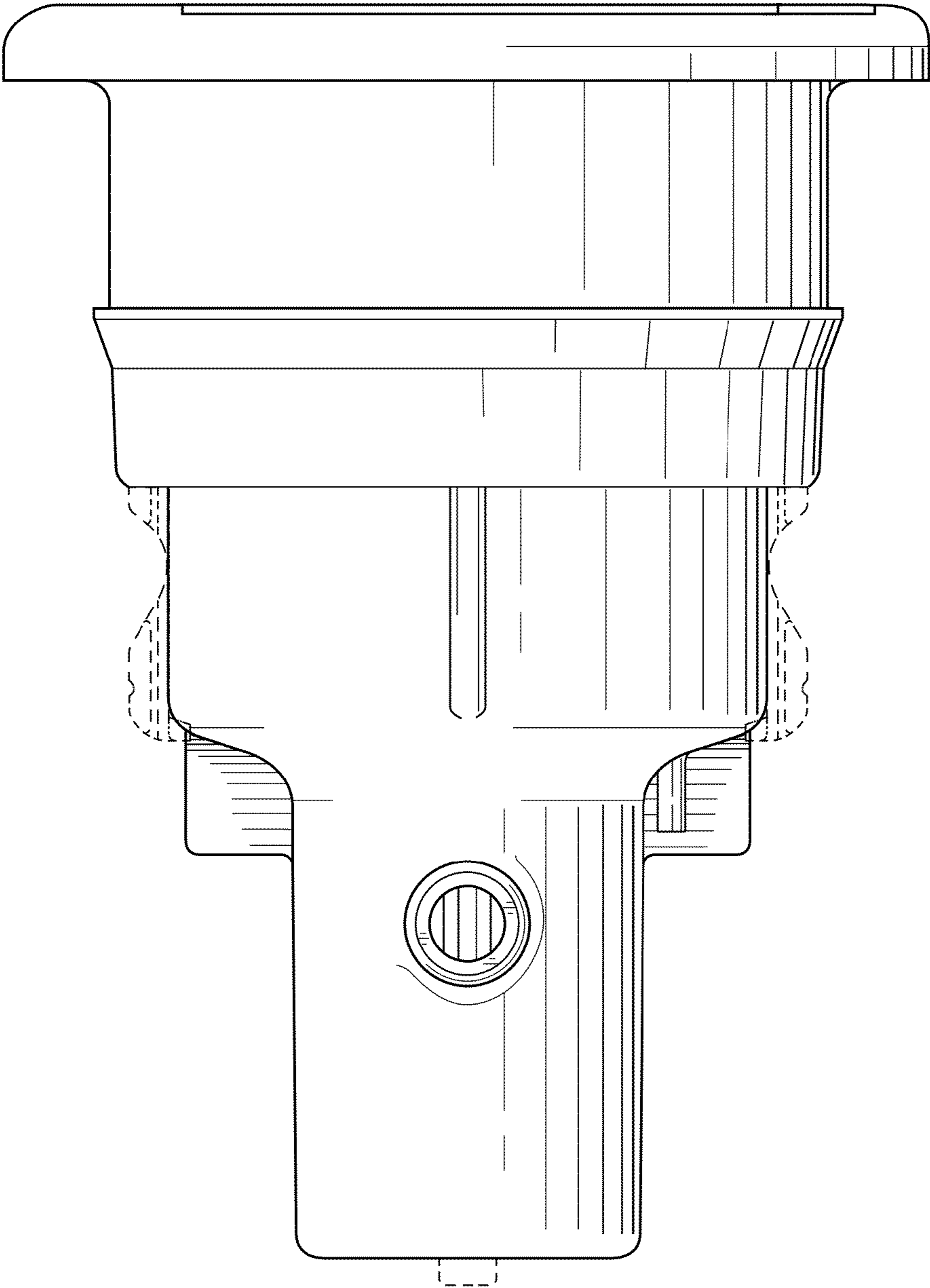


FIG. 13

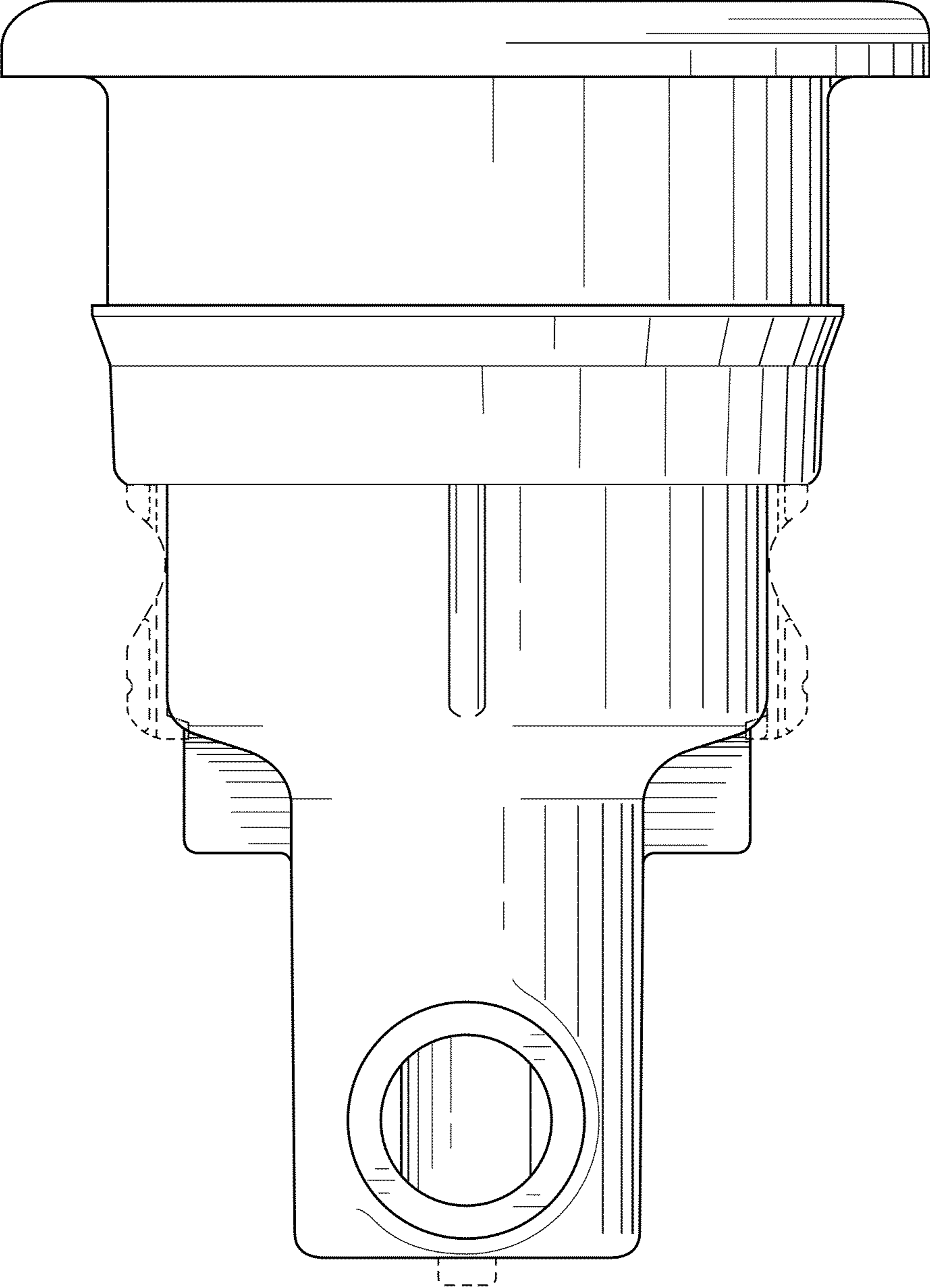


FIG. 14