



US00D735302S

(12) **United States Design Patent**  
**Merrifield et al.**

(10) **Patent No.:** **US D735,302 S**  
(45) **Date of Patent:** **\*\* Jul. 28, 2015**

(54) **CONNECTOR**

(71) Applicant: **HEINEKEN UK LIMITED**, Edinburgh (GB)

(72) Inventors: **Chris Merrifield**, Edinburgh (GB);  
**Stuart Briant**, Edinburgh (GB); **Ray Wrapson**, Oxfordshire (GB); **Simon Hopewell**, Oxfordshire (GB)

(73) Assignee: **Heineken UK Limited**, Edinburgh (GB)

(\*\*) Term: **14 Years**

(21) Appl. No.: **29/473,892**

(22) Filed: **Nov. 26, 2013**

(30) **Foreign Application Priority Data**

Nov. 22, 2013 (EM) ..... 002350595

(51) **LOC (10) Cl.** ..... **23-01**

(52) **U.S. Cl.**  
USPC ..... **D23/259; D7/397**

(58) **Field of Classification Search**  
USPC ..... D23/259, 249, 233-237, 205-213,  
D23/260-269; 95/82, 85, 86, 88; 137/515.5;  
74/505; 128/207.16; D24/129;  
285/136.1, 184, 148.22, 148.23, 124.4;  
222/61, 66; D7/308, 397, 213  
CPC ..... E21B 34/10; F16L 39/00; F16L 47/00;  
A61M 5/00  
See application file for complete search history.

(56) **References Cited**

**U.S. PATENT DOCUMENTS**

2,196,143 A \* 4/1940 De Bons ..... 137/605  
D172,670 S \* 7/1954 Kolodny ..... D23/207  
D219,815 S \* 2/1971 Palowsky ..... D23/263  
D232,552 S \* 8/1974 Watson ..... D23/263  
3,873,135 A \* 3/1975 Kreitzberg ..... 285/148.26  
D236,263 S \* 8/1975 Dussardier ..... D23/209  
D291,483 S \* 8/1987 Vassallo et al. .... D23/263

D313,849 S \* 1/1991 Robinson ..... D24/129  
D314,227 S \* 1/1991 Christ ..... D23/215  
D326,309 S \* 5/1992 Kendrick ..... D23/208  
5,478,467 A \* 12/1995 LeMire et al. .... 210/206  
D370,721 S \* 6/1996 Hewson ..... D23/233  
D403,739 S \* 1/1999 Donaldson ..... D23/207  
D421,098 S \* 2/2000 Wrigley et al. .... D23/249  
D465,012 S \* 10/2002 Tauzer ..... D23/259  
6,583,422 B2 \* 6/2003 Boehme ..... 250/432 R  
D516,179 S \* 2/2006 Ouyoung ..... D23/249  
D516,180 S \* 2/2006 Ouyoung ..... D23/249  
D607,536 S \* 1/2010 Filo ..... D23/205  
D621,003 S \* 8/2010 Gramegna et al. .... D23/233  
D638,099 S \* 5/2011 Farley ..... D23/209  
D644,713 S \* 9/2011 Walton et al. .... D23/209  
D645,117 S \* 9/2011 Isler et al. .... D23/209

(Continued)

**FOREIGN PATENT DOCUMENTS**

DE 10 2006 026 025 A1 12/2006  
WO WO 2010/019035 A1 2/2010

*Primary Examiner* — Marianne Pandozzi

*Assistant Examiner* — Jae Liang

(74) *Attorney, Agent, or Firm* — Alston & Bird LLP

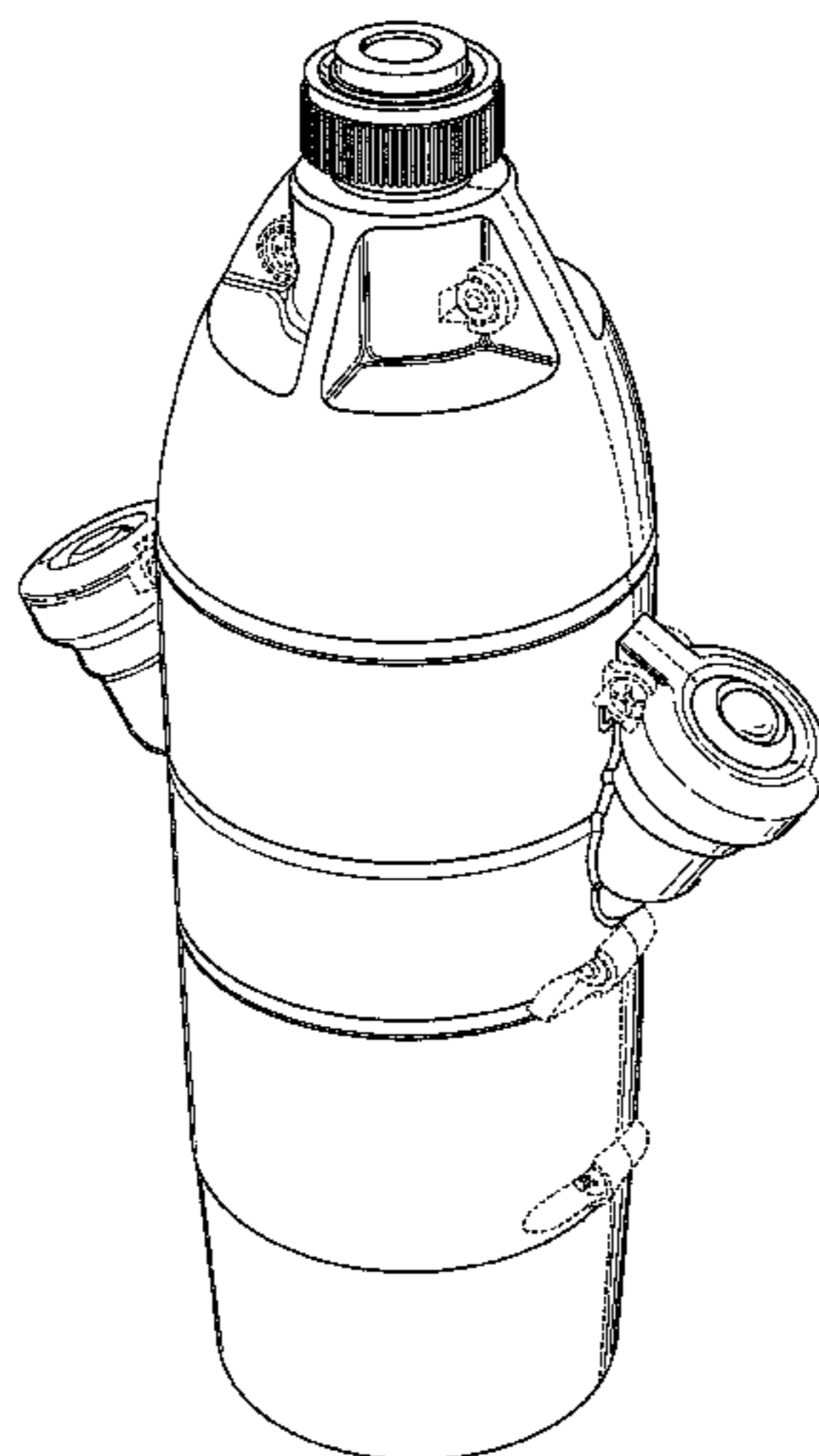
(57) **CLAIM**

The ornamental design for a connector, as shown and described.

**DESCRIPTION**

FIG. 1 is a perspective view of a connector showing our new design;  
FIG. 2 is a front elevation view thereof;  
FIG. 3 is a left side elevation view thereof;  
FIG. 4 is a right side elevation view thereof;  
FIG. 5 is an enlarged bottom plan view thereof; and,  
FIG. 6 is an enlarged top plan view thereof.  
The broken lines immediately adjacent shaded areas represent bounds of the claimed design, while all other broken lines are unclaimed features. The broken lines form no part of the claimed design.

**1 Claim, 6 Drawing Sheets**



# US D735,302 S

Page 2

---

(56)

## References Cited

### U.S. PATENT DOCUMENTS

8,066,648 B1 \* 11/2011 Mark ..... 600/566  
D662,568 S \* 6/2012 Zeng ..... D23/209  
D675,705 S \* 2/2013 Mallol et al. .... D23/207

D675,707 S \* 2/2013 Mallol et al. .... D23/207  
D681,159 S \* 4/2013 Ben-Horin et al. .... D23/209  
D720,850 S \* 1/2015 Hsia et al. .... D24/130  
2008/0011656 A1 \* 1/2008 Lacy et al. .... 210/95

\* cited by examiner

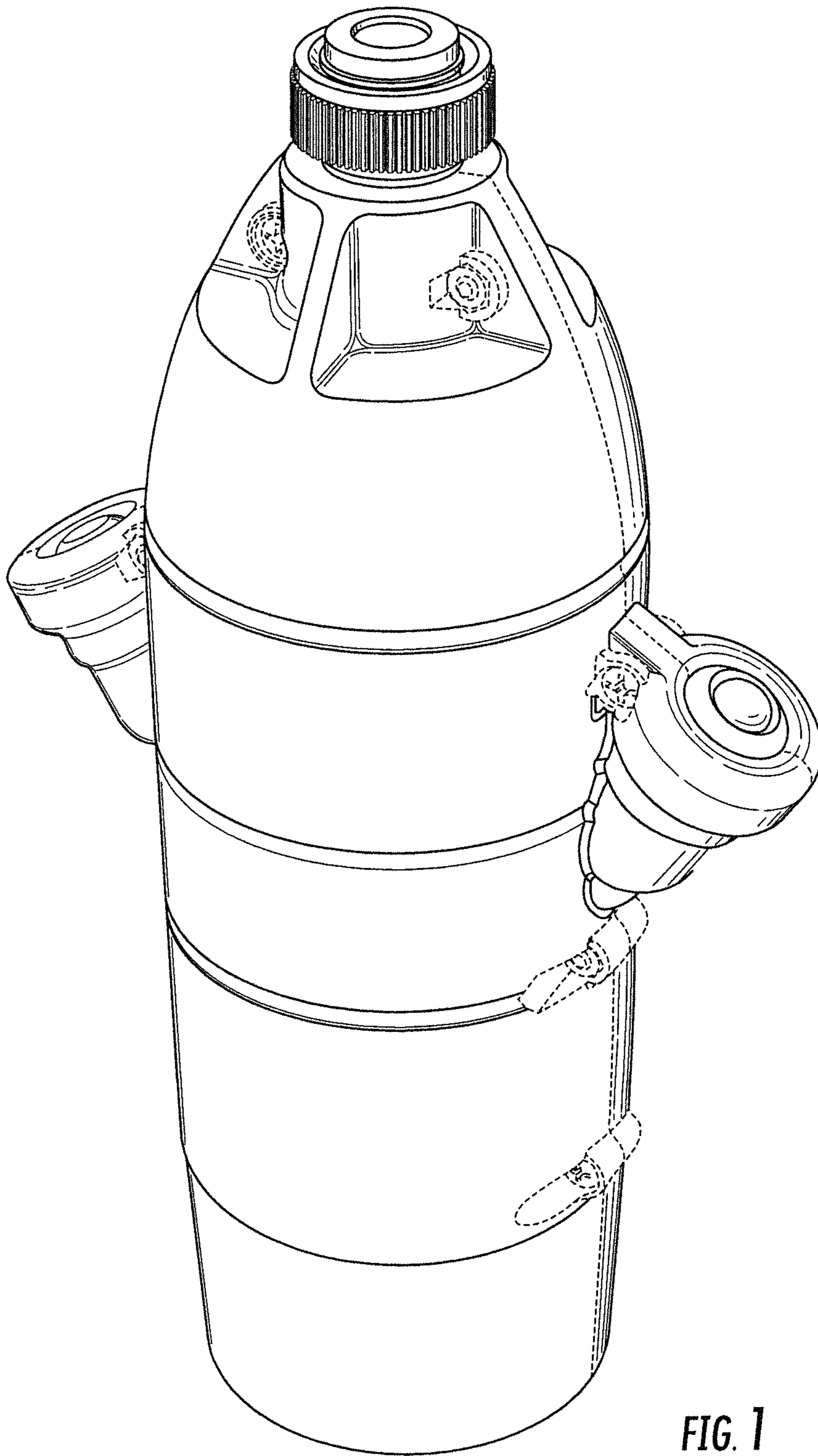


FIG. 1

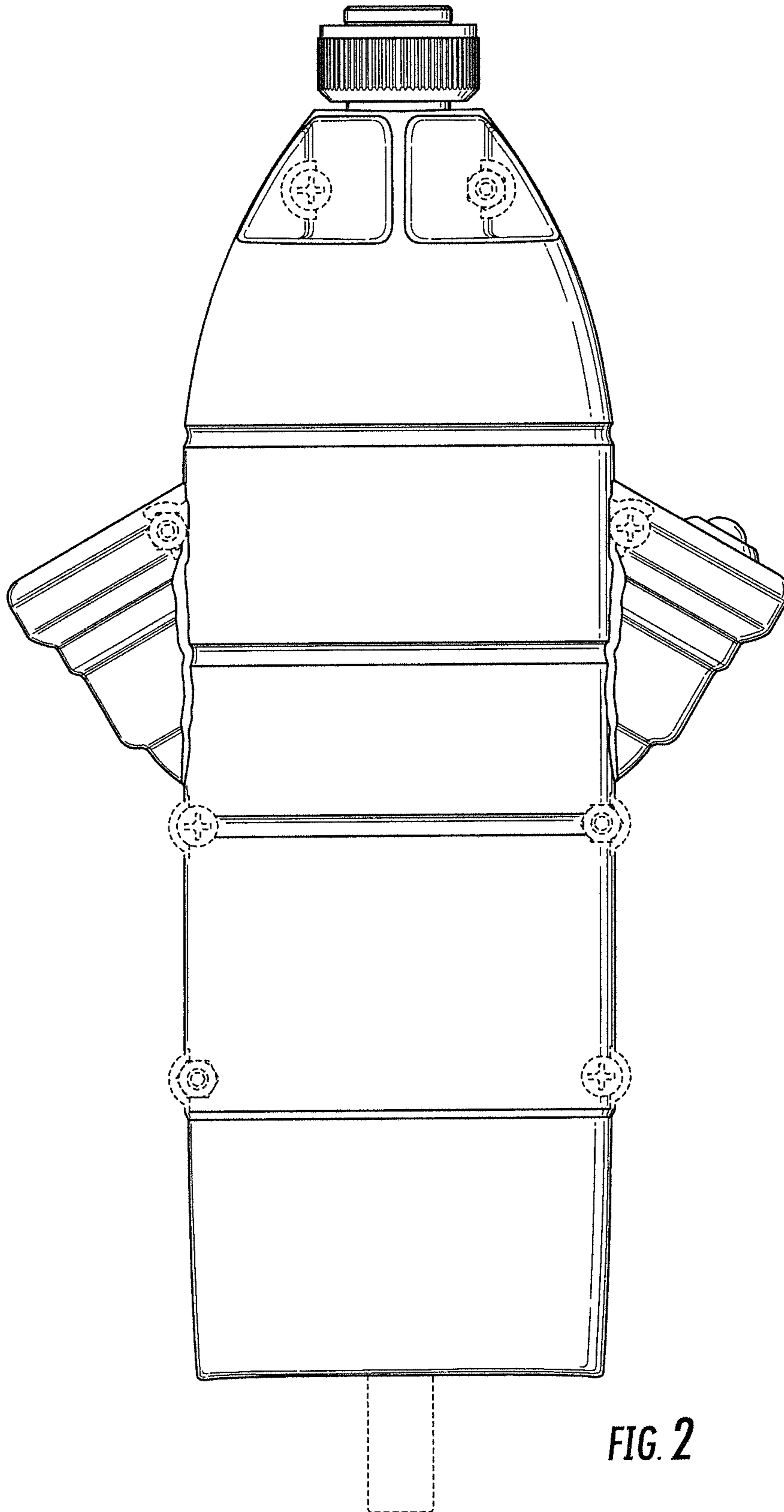


FIG. 2

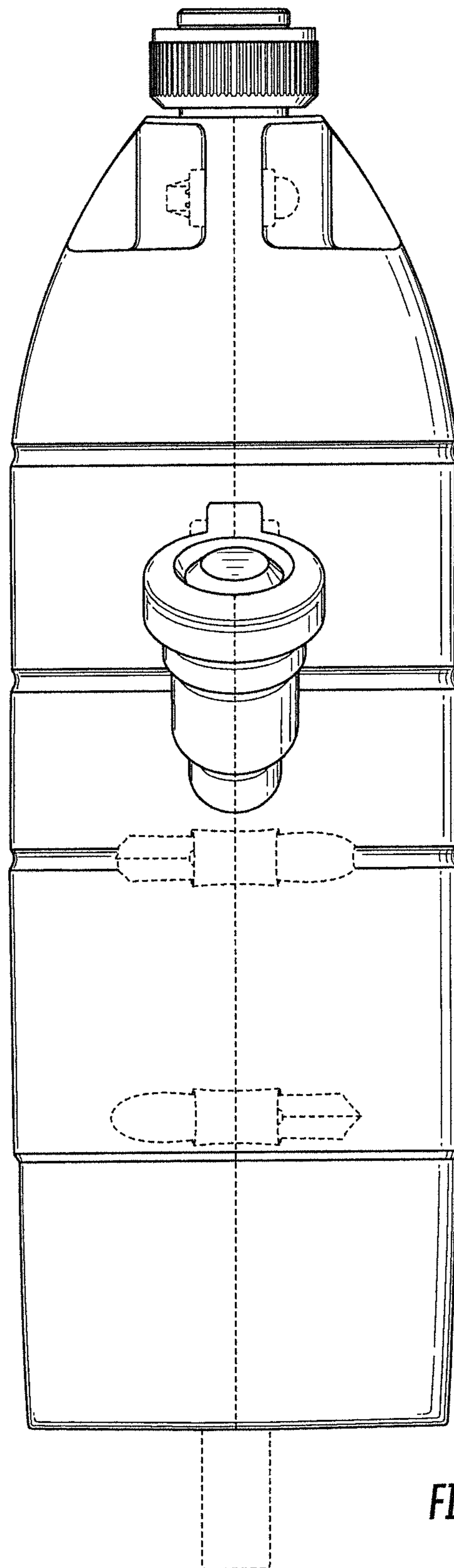


FIG. 3



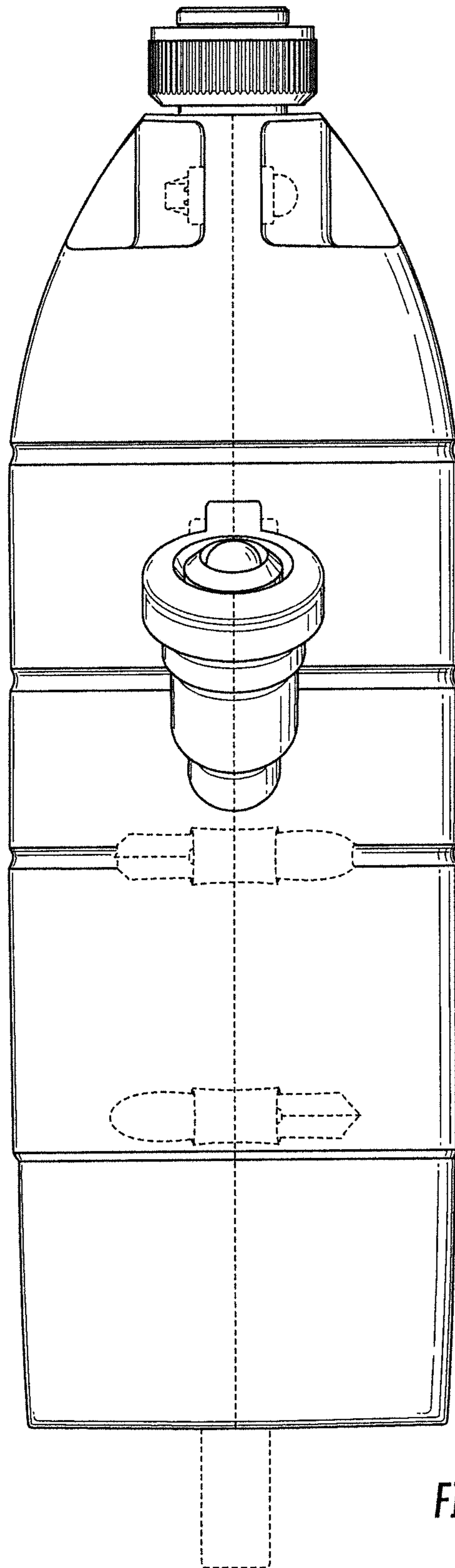


FIG. 4

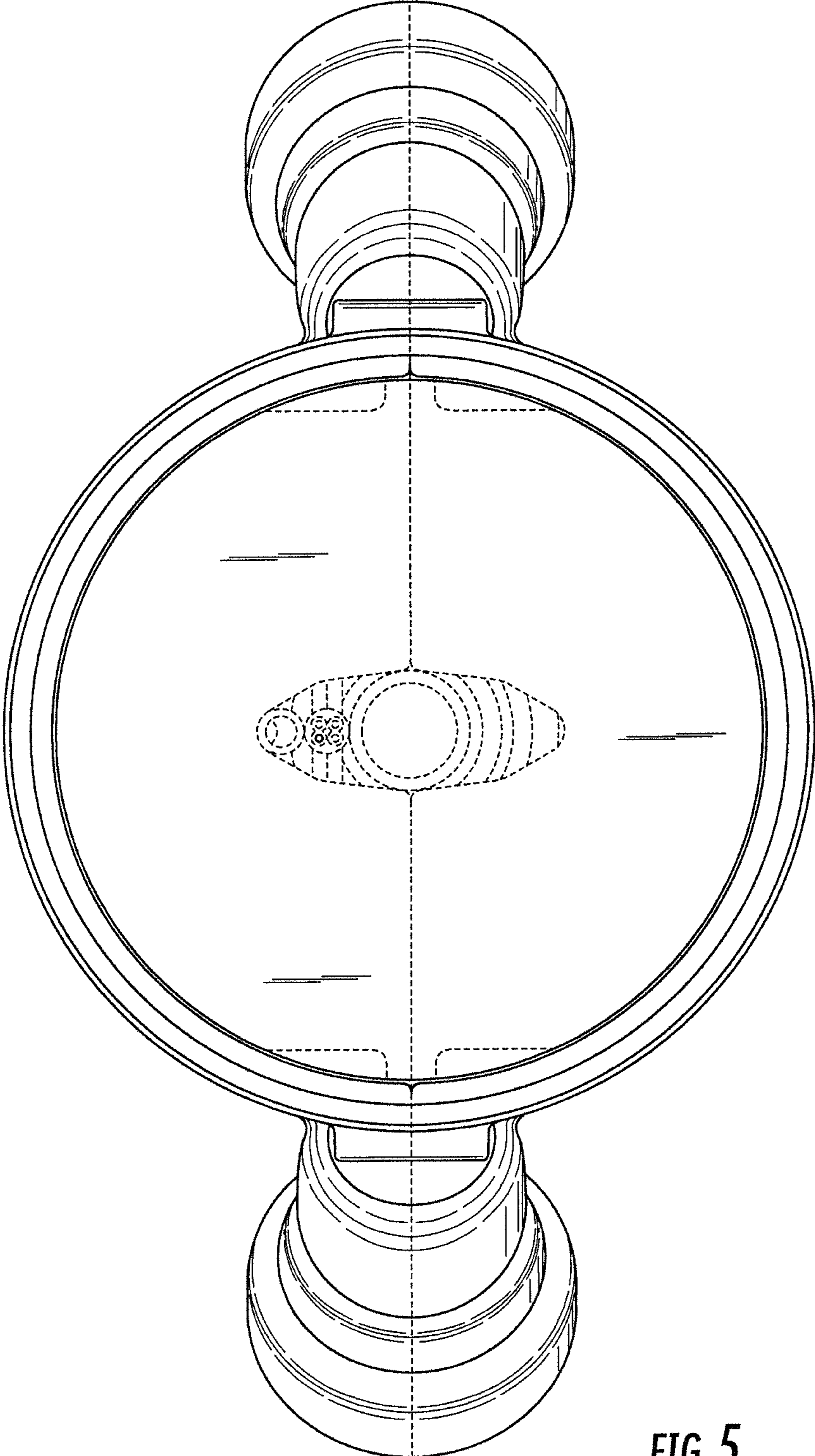


FIG. 5

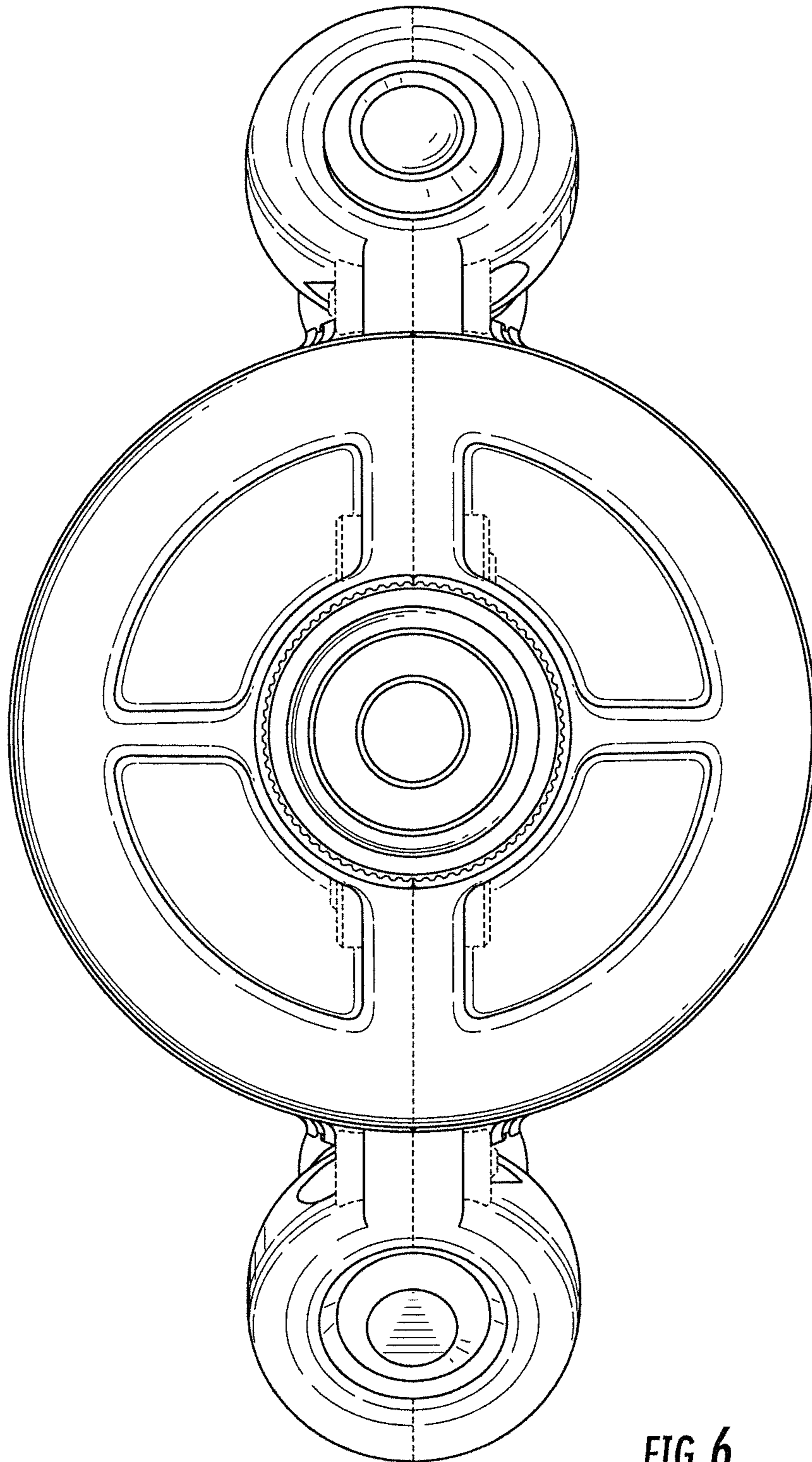


FIG. 6