



US00D735300S

(12) **United States Design Patent**  
**Chen**

(10) **Patent No.:** **US D735,300 S**  
(45) **Date of Patent:** **\*\* Jul. 28, 2015**

- (54) **SENSOR ASSEMBLY FOR TOUCH-FREE WATER-CONTROL APPARATUS**
- (71) Applicant: **Chung-Chia Chen**, La Habra Heights, CA (US)
- (72) Inventor: **Chung-Chia Chen**, La Habra Heights, CA (US)
- (\*\*) Term: **14 Years**
- (21) Appl. No.: **29/479,788**
- (22) Filed: **Jan. 20, 2014**

**Related U.S. Application Data**

- (63) Continuation of application No. 29/461,637, filed on Jul. 25, 2013, now Pat. No. Des. 698,013, which is a continuation of application No. 29/447,315, filed on Mar. 1, 2013, now Pat. No. Des. 689,596, which is a continuation of application No. 29/402,670, filed on Sep. 26, 2011, now Pat. No. Des. 677,367.
- (51) **LOC (10) Cl.** ..... **23-01**
- (52) **U.S. Cl.**  
USPC ..... **D23/255**
- (58) **Field of Classification Search**  
USPC ..... D23/238, 255, 257; 4/675-678;  
137/801  
See application file for complete search history.

(56) **References Cited**

**U.S. PATENT DOCUMENTS**

D315,397 S	3/1991	Knapp
D317,971 S	7/1991	Sauter et al.

(Continued)

**FOREIGN PATENT DOCUMENTS**

CN	2584985	11/2003
CN	2906258	5/2007

**OTHER PUBLICATIONS**

U.S. Appl. No. 29/489,642, May 1, 2014, Chen.

(Continued)

*Primary Examiner* — Robert Delehanty  
(74) *Attorney, Agent, or Firm* — Knobbe, Martens, Olson & Bear, LLP

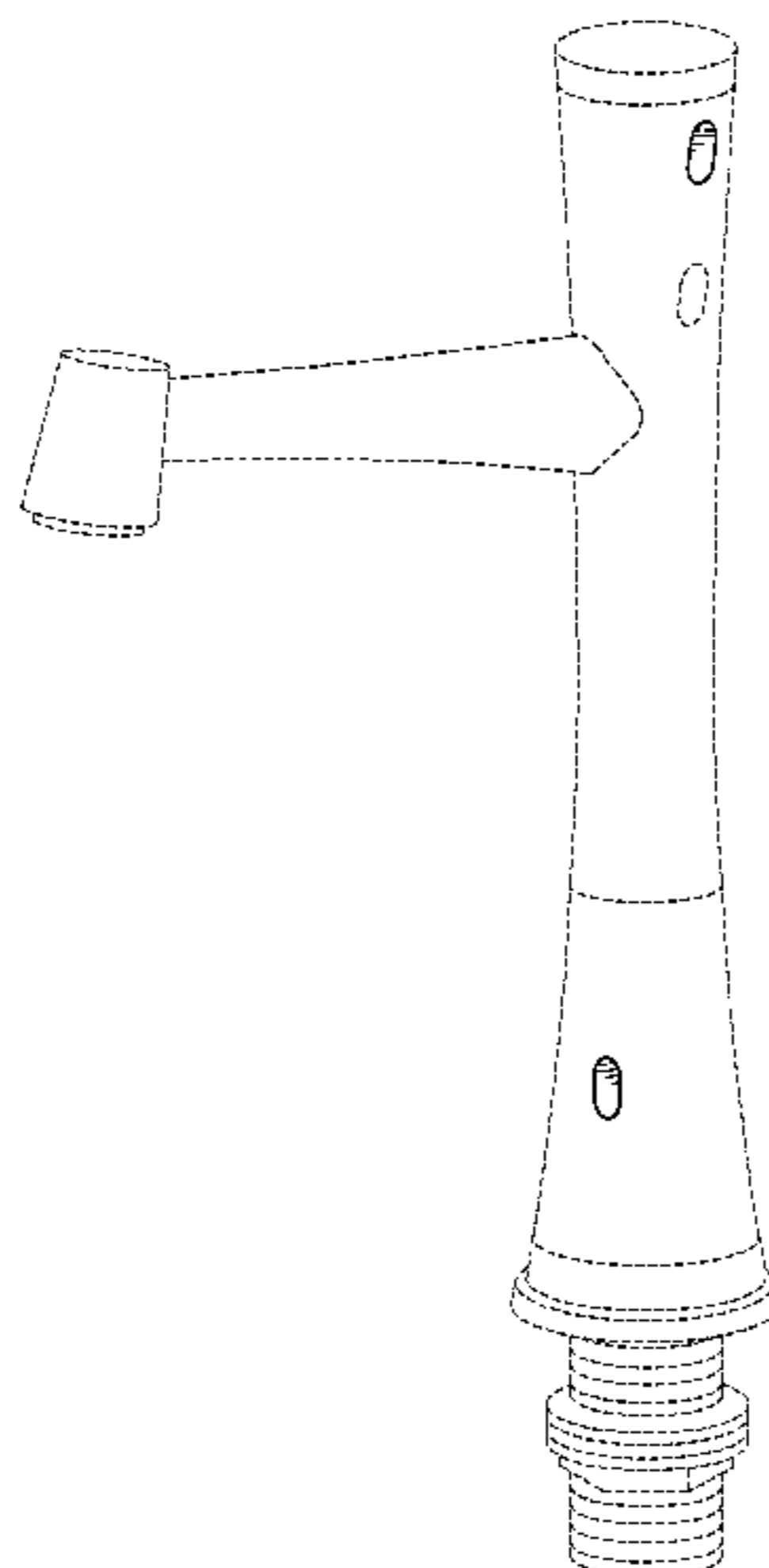
(57) **CLAIM**  
I claim the ornamental design for a sensor assembly for touch-free water-control apparatus, as shown and described.

**DESCRIPTION**

FIG. 1 is a perspective view of a sensor assembly for touch-free water-control apparatus showing my new design; FIG. 2 is a front elevation view thereof; FIG. 3 is a rear elevation view thereof; FIG. 4 is a right elevation view thereof; FIG. 5 is a left elevation view thereof; FIG. 6 is a top plan view thereof; FIG. 7 is a bottom plan view thereof; FIG. 8 is a perspective view thereof; FIG. 9 is a front elevation view thereof; FIG. 10 is a rear elevation view thereof; FIG. 11 is a right elevation view thereof; FIG. 12 is a left elevation view thereof; FIG. 13 is a top plan view thereof; FIG. 14 is a bottom plan view thereof; FIG. 15 is a perspective view thereof; FIG. 16 is a front elevation view thereof; FIG. 17 is a rear elevation view thereof; FIG. 18 is a right elevation view thereof; FIG. 19 is a left elevation view thereof; FIG. 20 is a top plan view thereof; FIG. 21 is a bottom plan view thereof; FIG. 22 is a perspective view thereof; FIG. 23 is a front elevation view thereof; FIG. 24 is a rear elevation view thereof; FIG. 25 is a right elevation view thereof; FIG. 26 is a left elevation view thereof; FIG. 27 is a top plan view thereof; and, FIG. 28 is a bottom plan view thereof.

The broken lines showing a portion of the water-control apparatus are included for the purpose of illustrating a portion of the water-control apparatus that forms no part of the claimed design.

**1 Claim, 16 Drawing Sheets**



(56)

References Cited

U.S. PATENT DOCUMENTS

D352,095 S 11/1994 Bollenbacher  
 5,548,119 A 8/1996 Nortier  
 5,549,273 A 8/1996 Aharon  
 5,566,702 A 10/1996 Philipp  
 5,625,908 A 5/1997 Shaw  
 5,694,653 A 12/1997 Harald  
 5,781,942 A 7/1998 Allen et al.  
 5,868,311 A 2/1999 Cretu-Petra  
 5,966,753 A 10/1999 Gauthier et al.  
 6,019,130 A 2/2000 Rump  
 6,298,875 B1 10/2001 Warshawsky et al.  
 6,321,785 B1 11/2001 Bergmann  
 6,513,787 B1 2/2003 Jeromson et al.  
 6,598,245 B2 7/2003 Nishioka  
 6,753,554 B1 6/2004 Gomes et al.  
 6,996,863 B2 2/2006 Kaneko  
 D516,675 S 3/2006 Kakihana  
 7,107,631 B2 9/2006 Lang et al.  
 7,134,451 B1 11/2006 Malapanes  
 D534,622 S 1/2007 Chu et al.  
 D535,366 S 1/2007 Sedwick  
 7,174,577 B2 2/2007 Jost et al.  
 7,228,874 B2 6/2007 Bolderheij et al.  
 7,326,334 B2 2/2008 Boyd et al.  
 D592,286 S 5/2009 Berberet  
 D602,125 S 10/2009 Montgomery et al.  
 7,641,173 B2 1/2010 Goodman  
 D610,653 S 2/2010 Schoenherr et al.  
 7,766,026 B2 8/2010 Boey  
 7,784,481 B2 8/2010 Kunkel  
 7,946,504 B2 5/2011 Shapira et al.  
 8,006,712 B2 8/2011 Boey  
 8,028,355 B2 10/2011 Reeder et al.

D677,366 S 3/2013 Chen  
 D677,367 S 3/2013 Chen  
 8,418,993 B2 4/2013 Chen  
 8,438,672 B2 5/2013 Reeder et al.  
 8,516,628 B2 8/2013 Conroy  
 D689,596 S 9/2013 Chen  
 D692,110 S 10/2013 Chen  
 8,572,772 B2 11/2013 Wolf et al.  
 D698,013 S 1/2014 Chen  
 D701,947 S 4/2014 Chen  
 D704,311 S 5/2014 Chen  
 D707,798 S 6/2014 Chen  
 8,827,239 B2 9/2014 Chen  
 8,827,240 B2 9/2014 Chen  
 2006/0016902 A1 1/2006 Restivo et al.  
 2007/0057215 A1 3/2007 Parsons et al.  
 2007/0170384 A1 7/2007 Goodman  
 2007/0239143 A1 10/2007 Altshuler et al.  
 2008/0156017 A1 7/2008 Johnson et al.  
 2008/0256494 A1 10/2008 Greenfield  
 2009/0014654 A1 1/2009 Zhevelev et al.  
 2009/0056011 A1 3/2009 Wolf et al.  
 2009/0119832 A1 5/2009 Conroy  
 2009/0288712 A1 11/2009 Lang et al.  
 2010/0108165 A1 5/2010 Rodenbeck et al.  
 2011/0185493 A1 8/2011 Chen  
 2011/0186161 A1 8/2011 Chen  
 2012/0055557 A1 3/2012 Belz et al.  
 2013/0233387 A1 9/2013 Bedolla et al.  
 2013/0248617 A1 9/2013 Sawaski et al.  
 2013/0269799 A1 10/2013 Swist  
 2014/0261749 A1 9/2014 Chen  
 2015/0052677 A1 2/2015 Chen

OTHER PUBLICATIONS

U.S. Appl. No. 29/509,093, filed Nov. 13, 2014, Chen.  
 U.S. Appl. No. 29/509,094, filed Nov. 13, 2014, Chen.

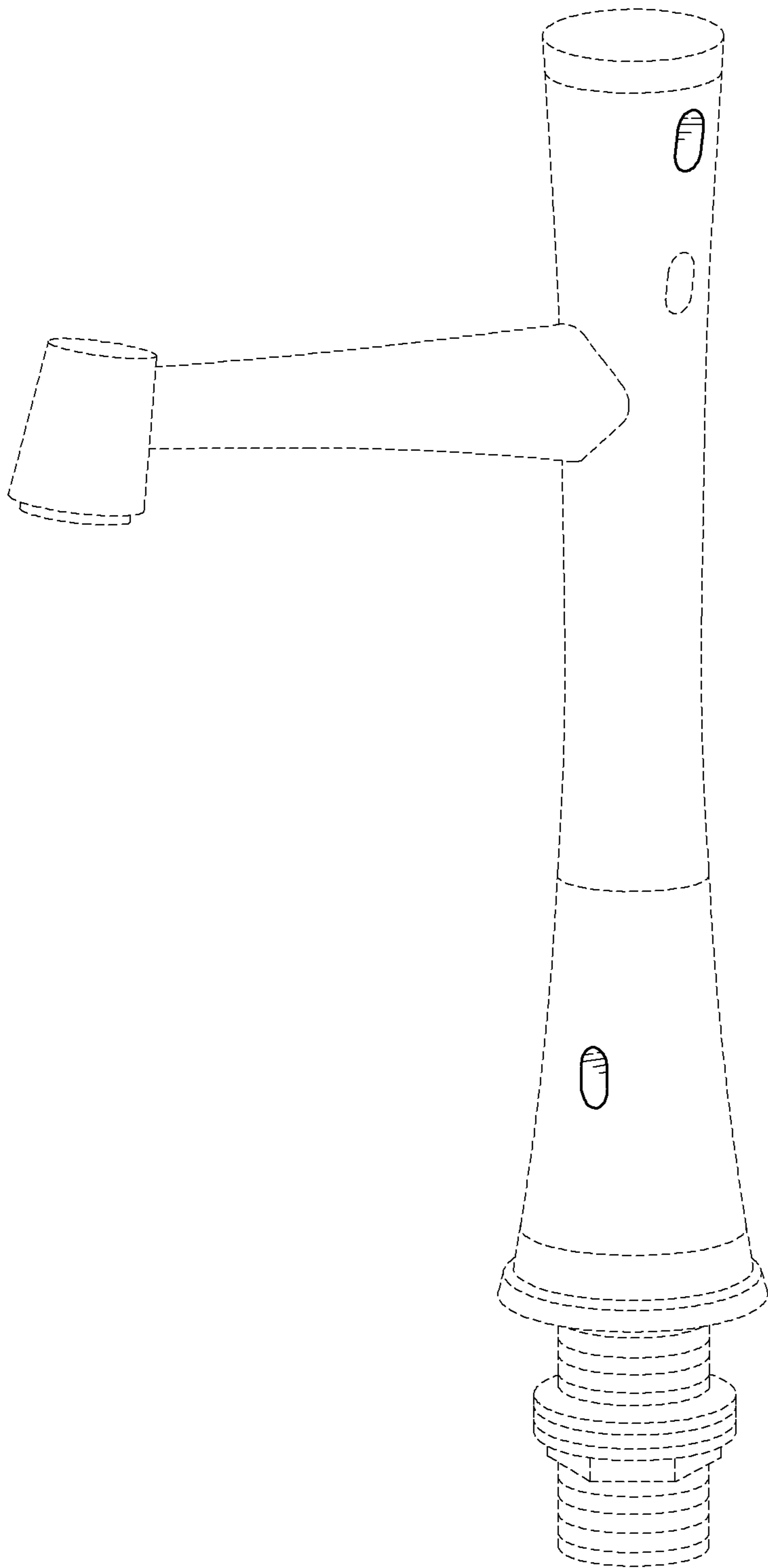


FIG. 1

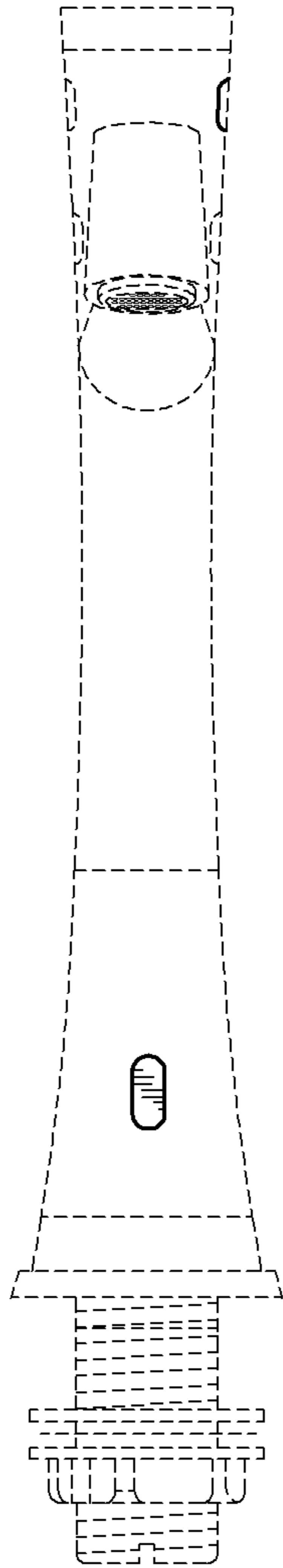


FIG. 2

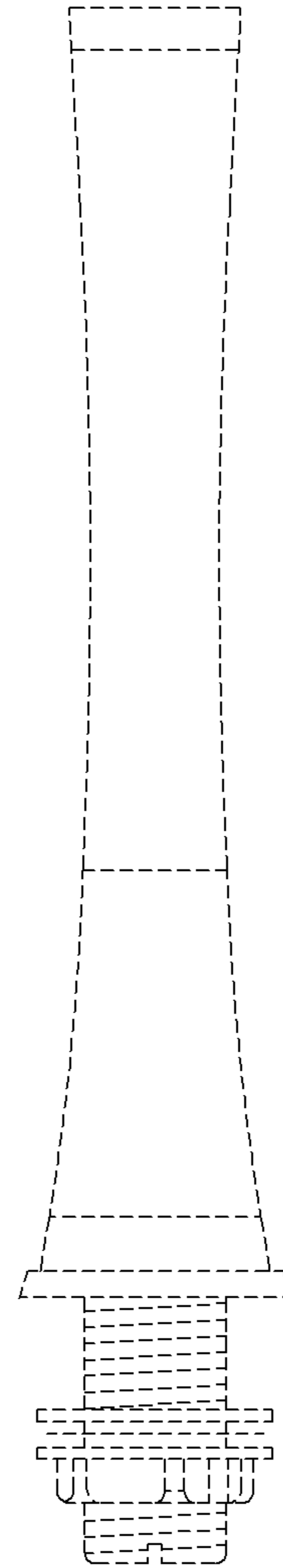


FIG. 3

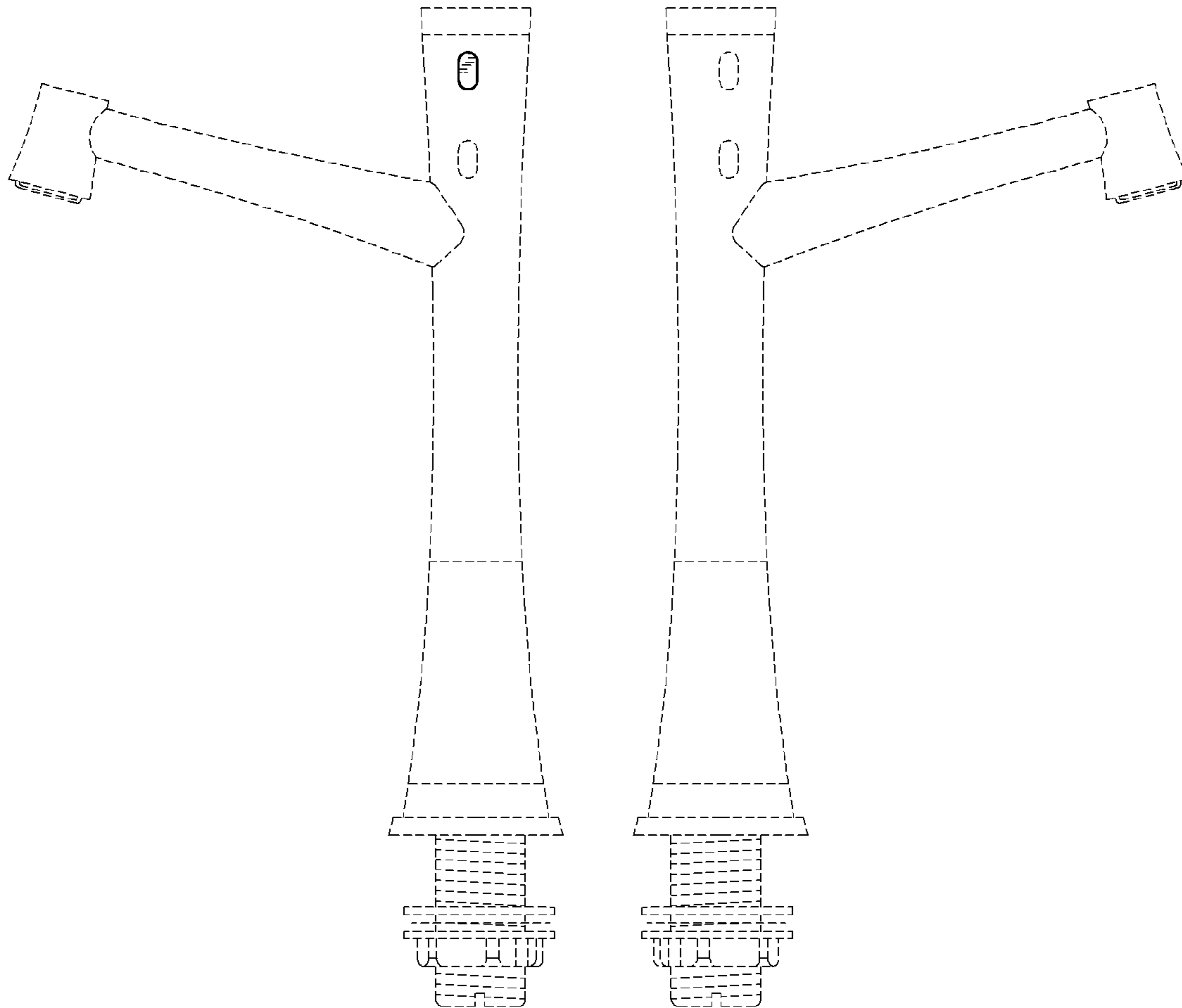


FIG. 4

FIG. 5

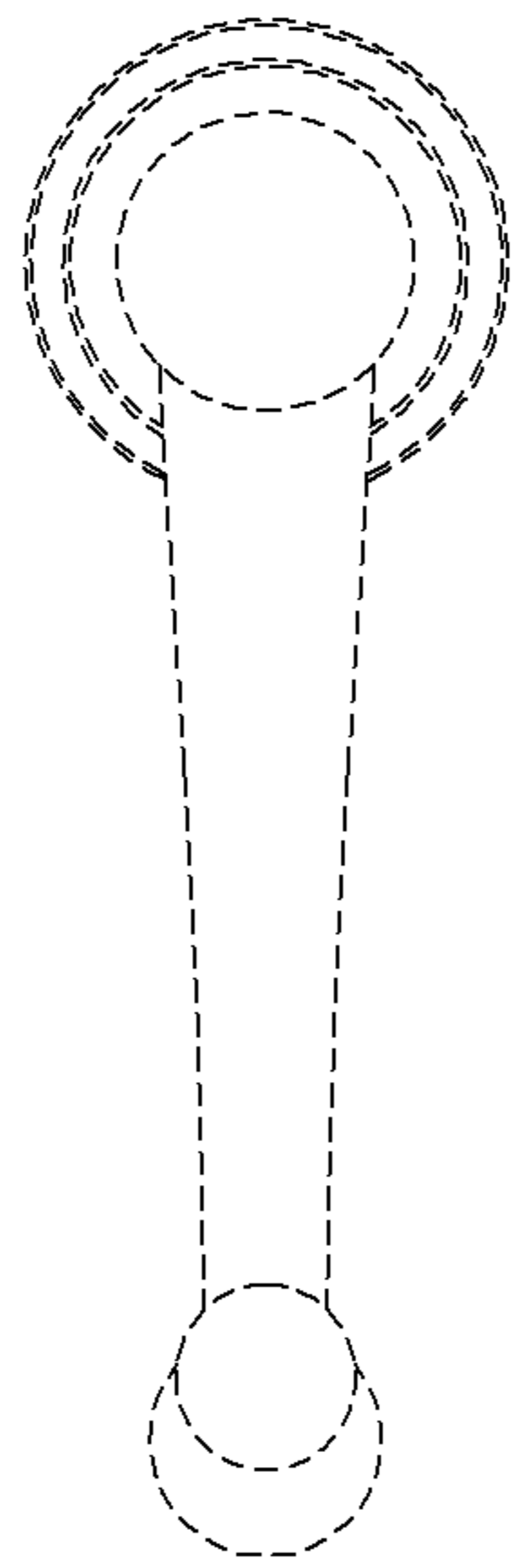


FIG. 6

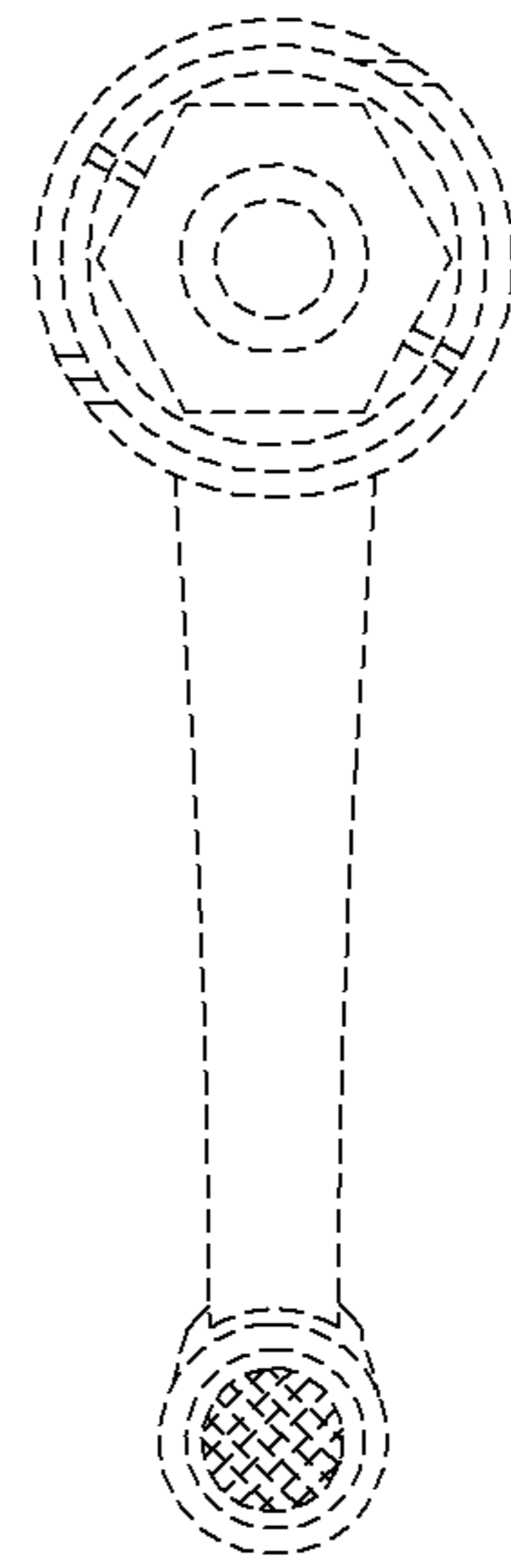


FIG. 7

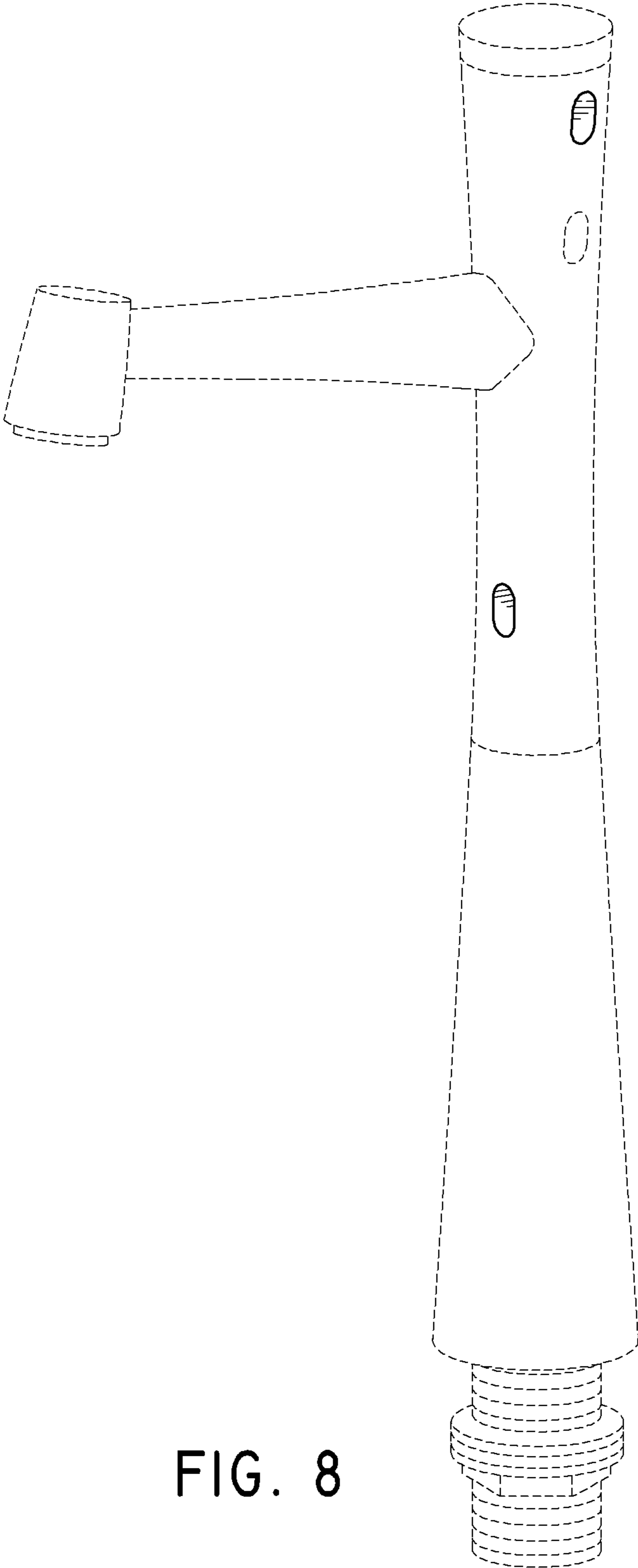


FIG. 8

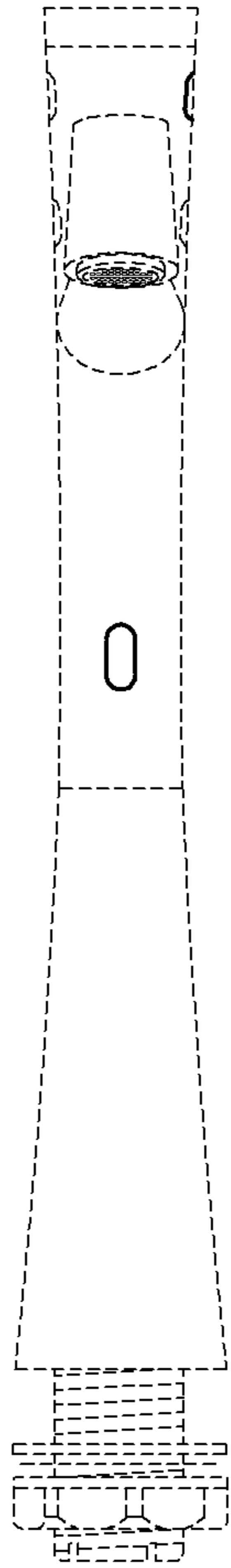


FIG. 9

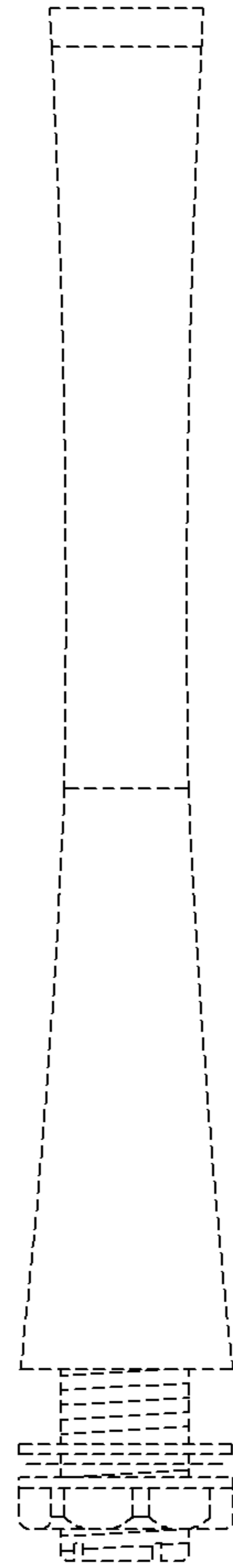


FIG. 10



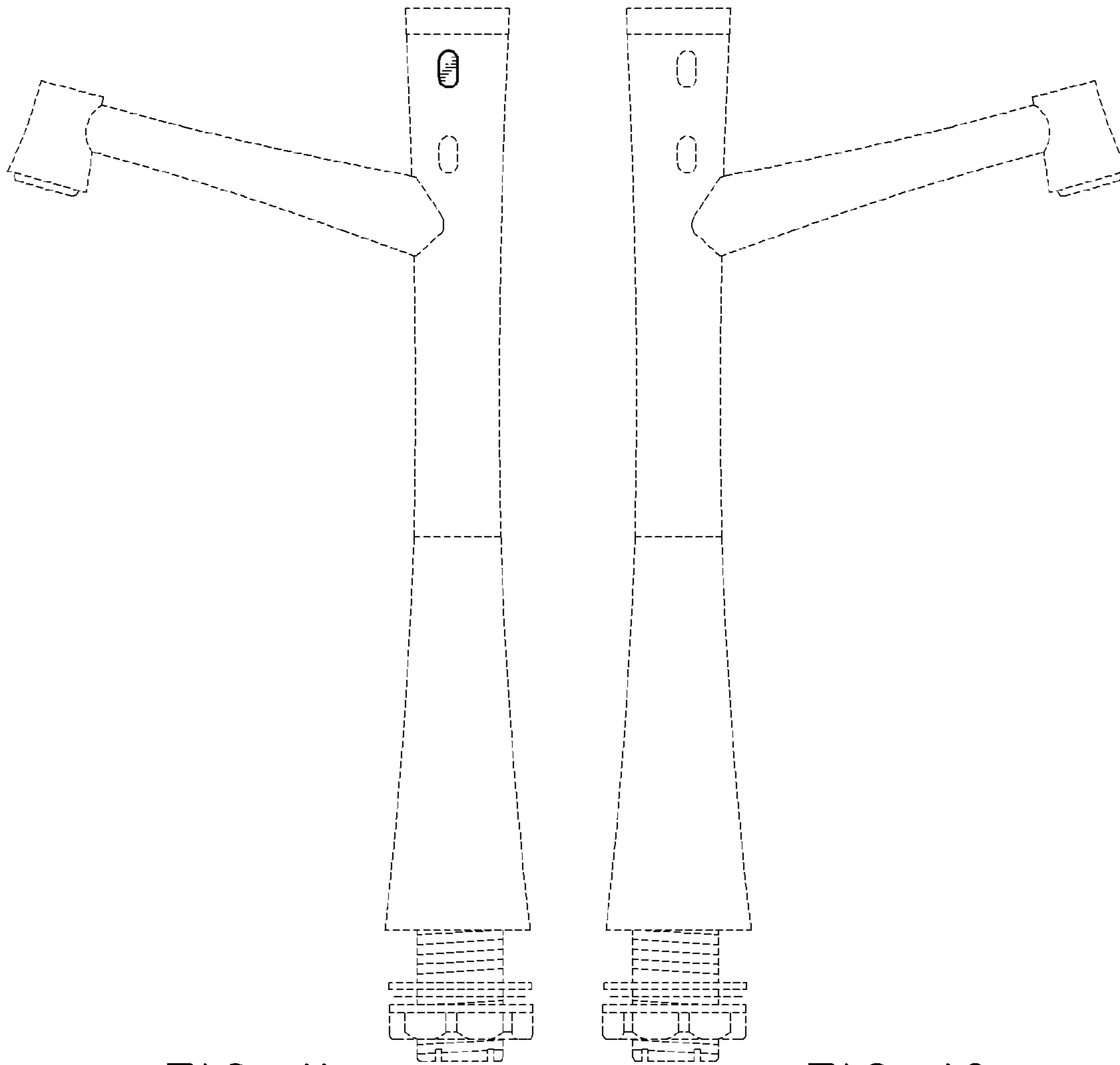


FIG. 11

FIG. 12

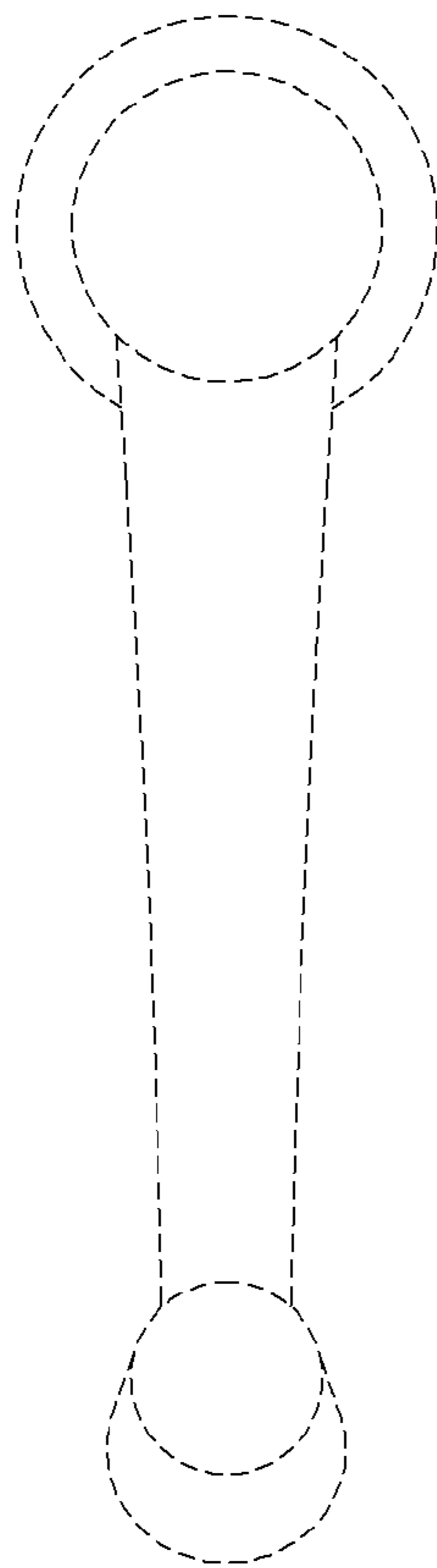


FIG. 13

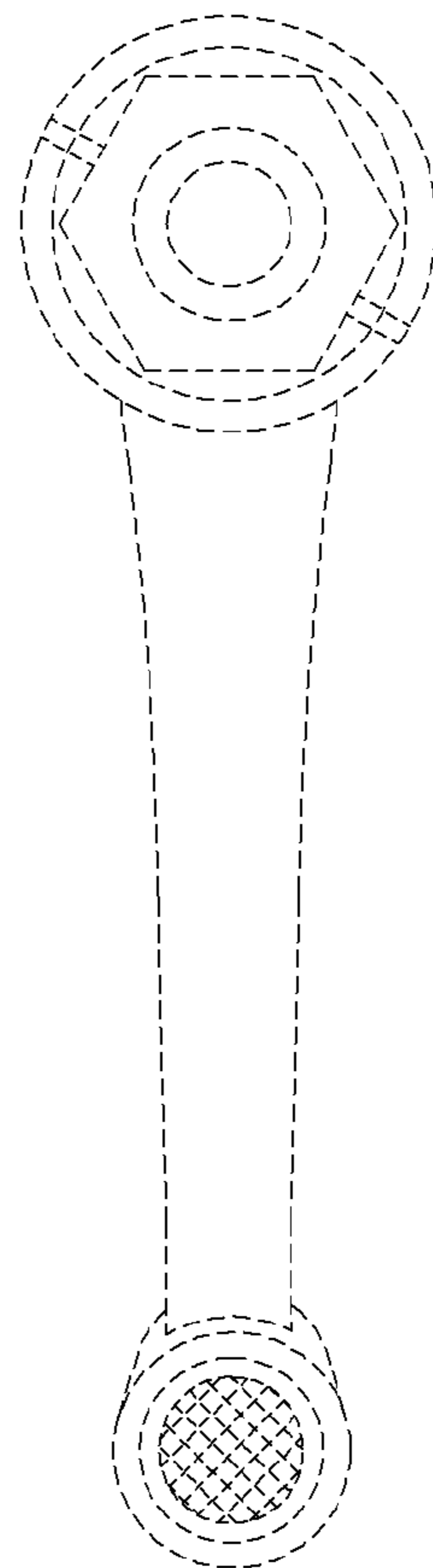


FIG. 14

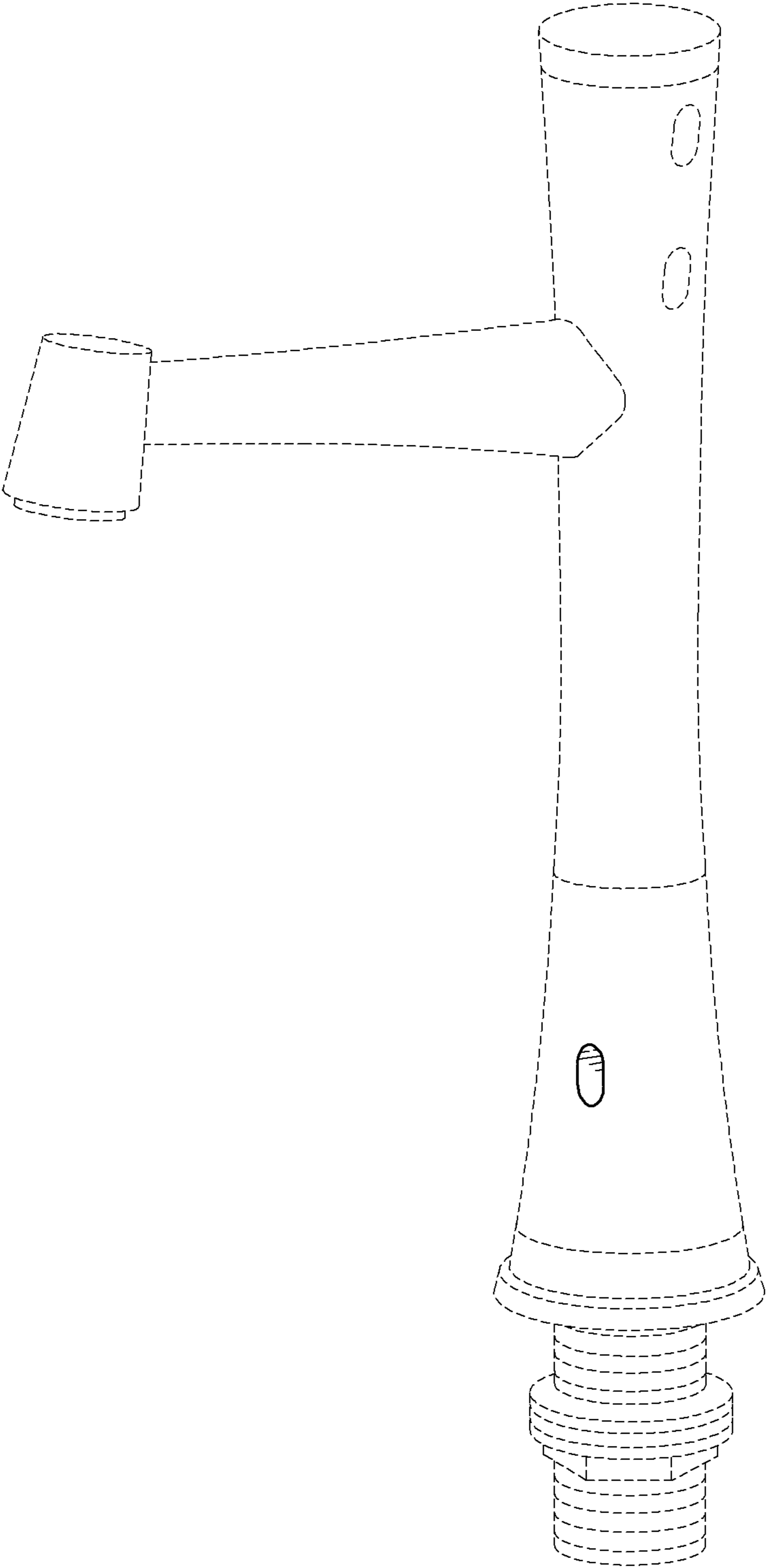


FIG. 15

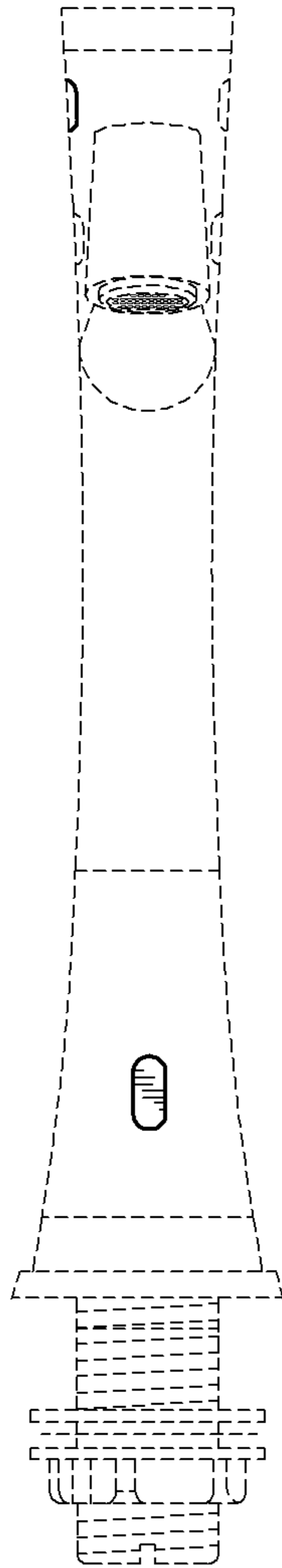


FIG. 16

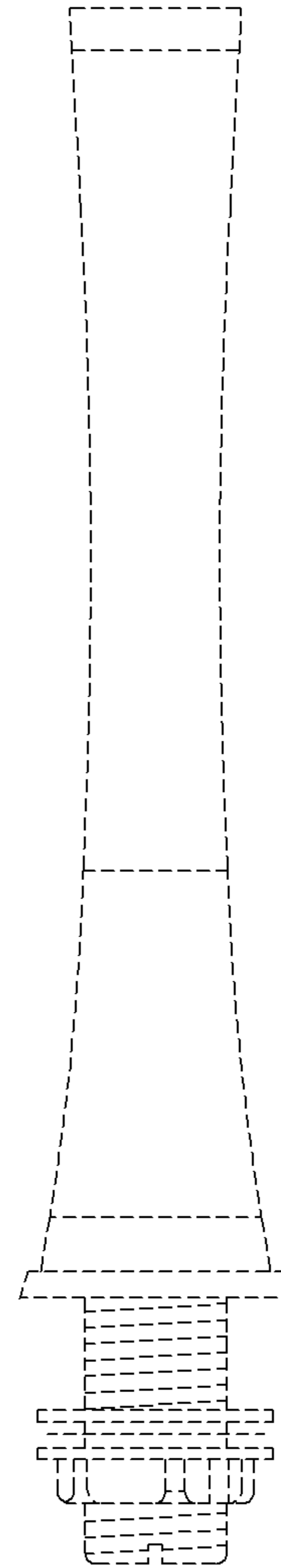


FIG. 17

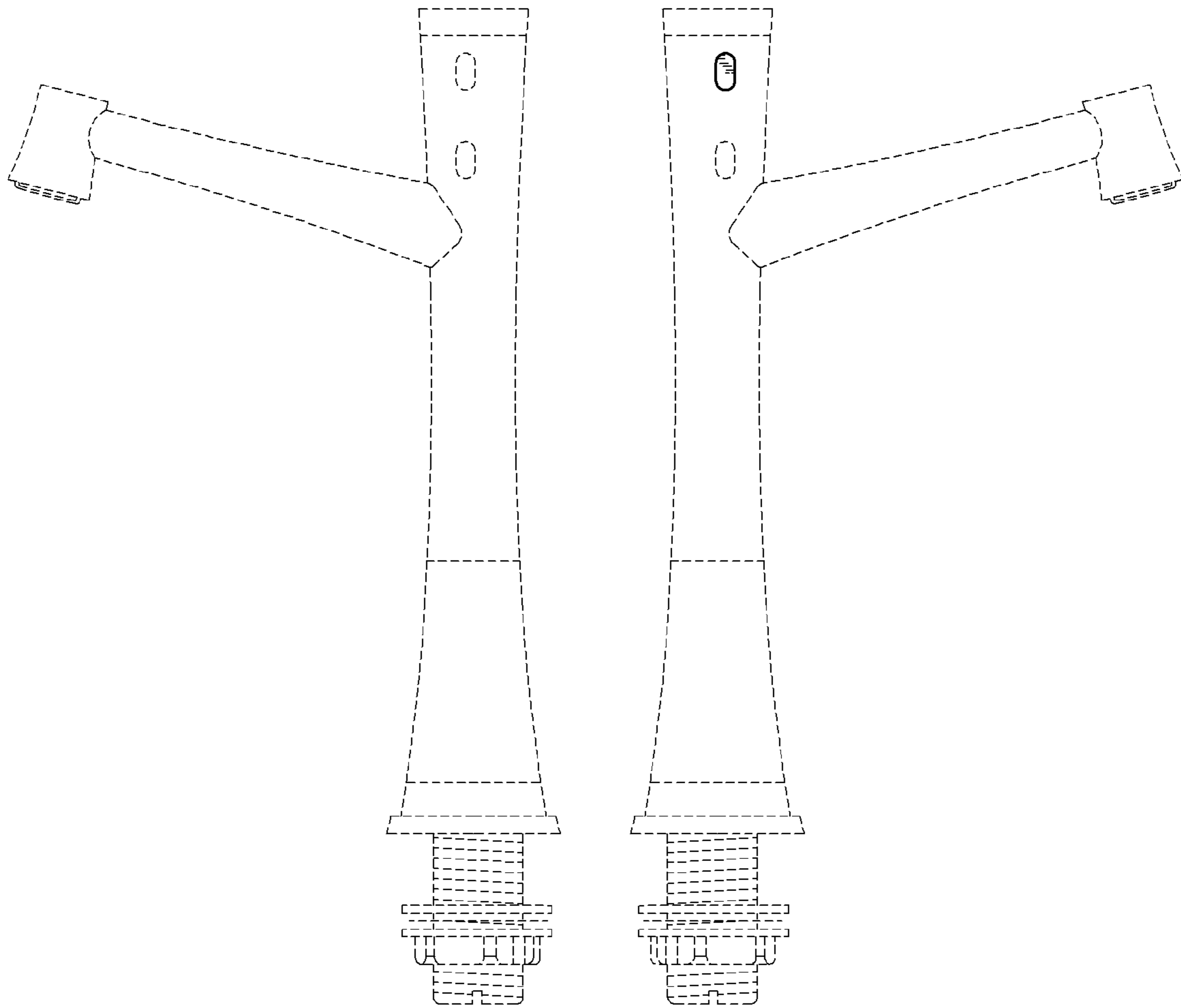


FIG. 18

FIG. 19

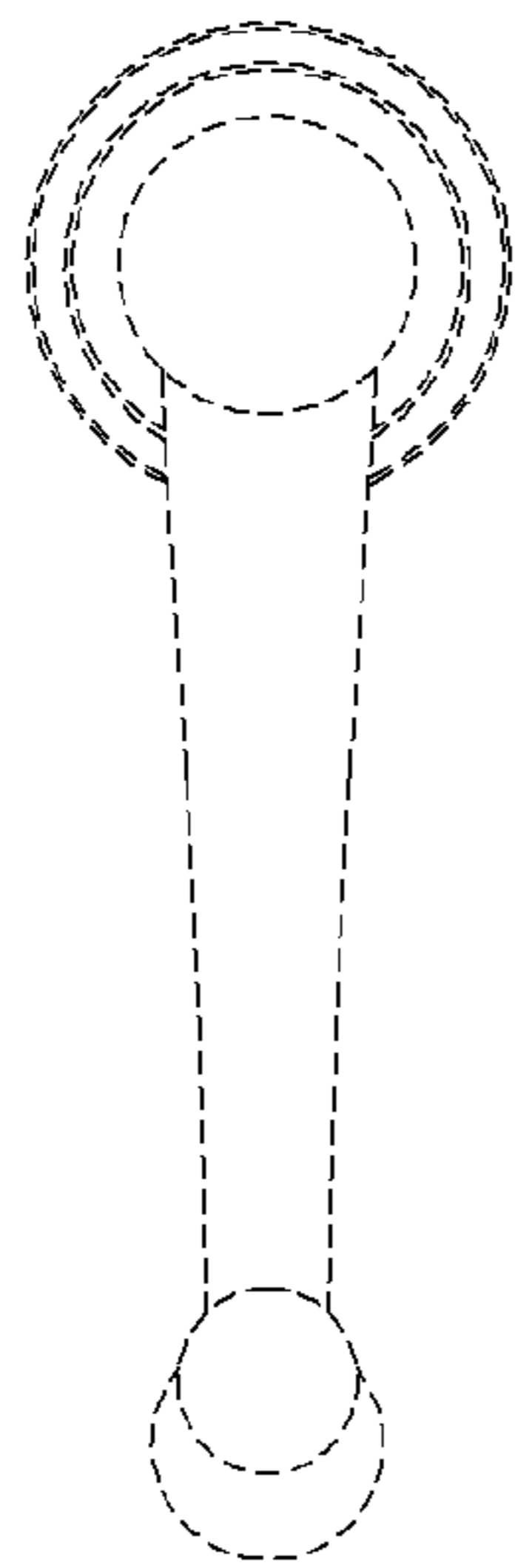


FIG. 20

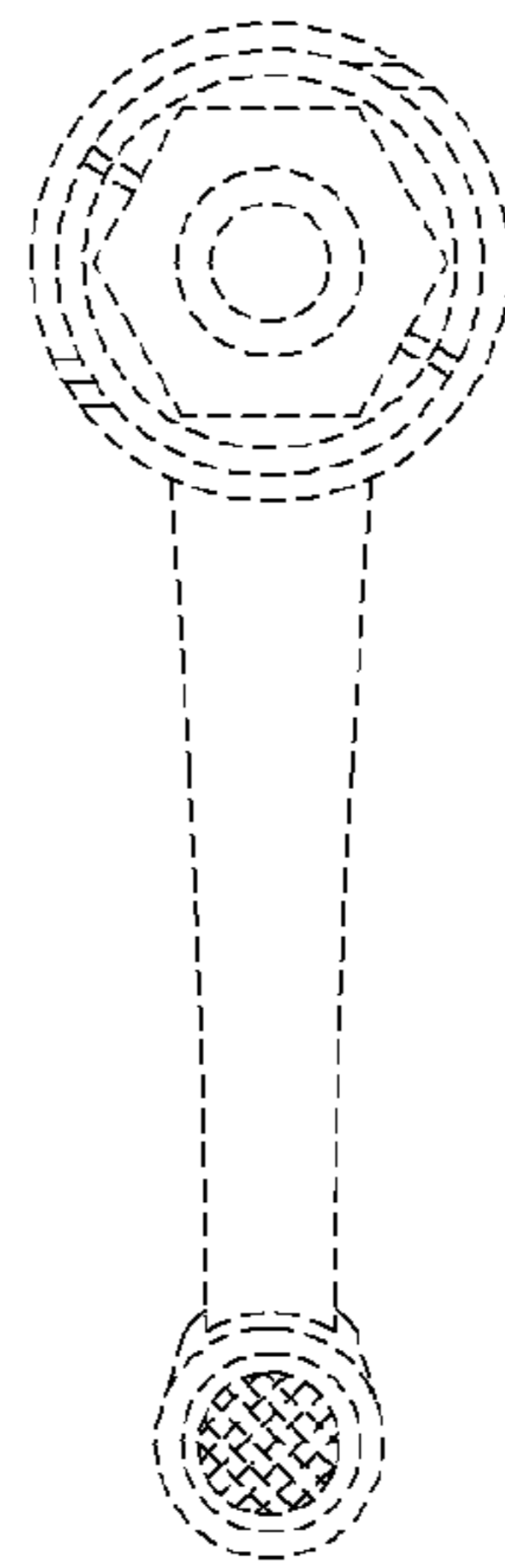


FIG. 21

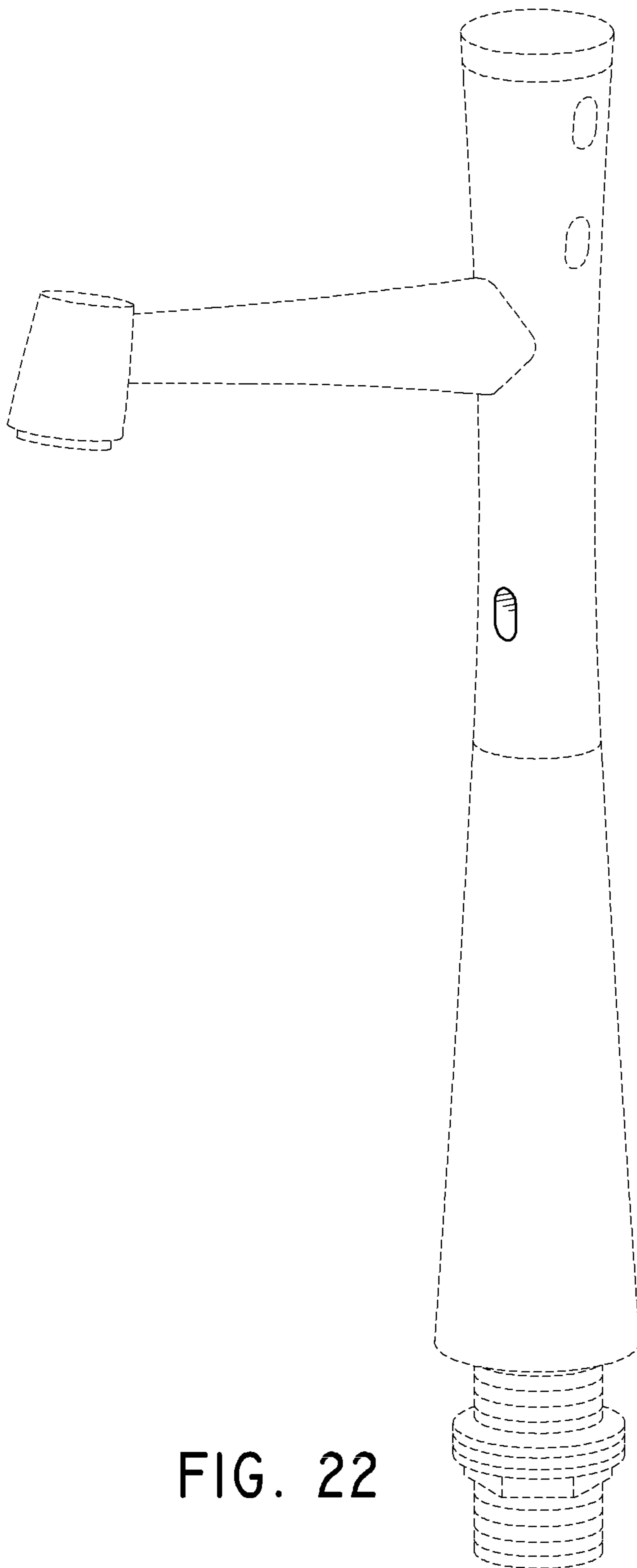


FIG. 22

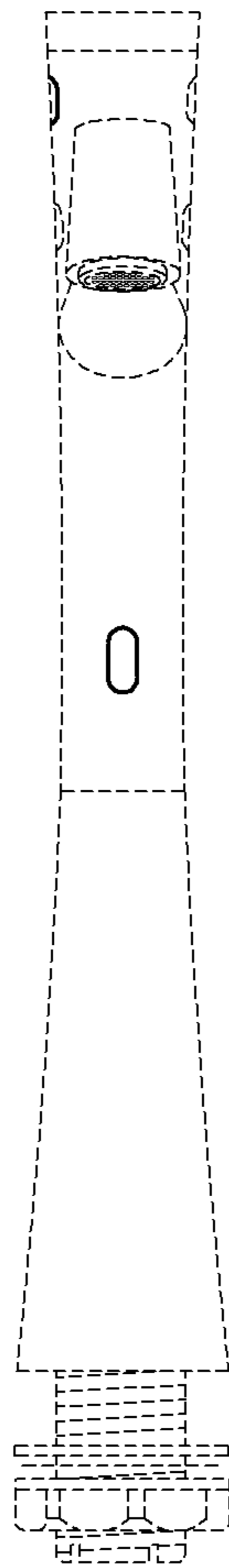


FIG. 23

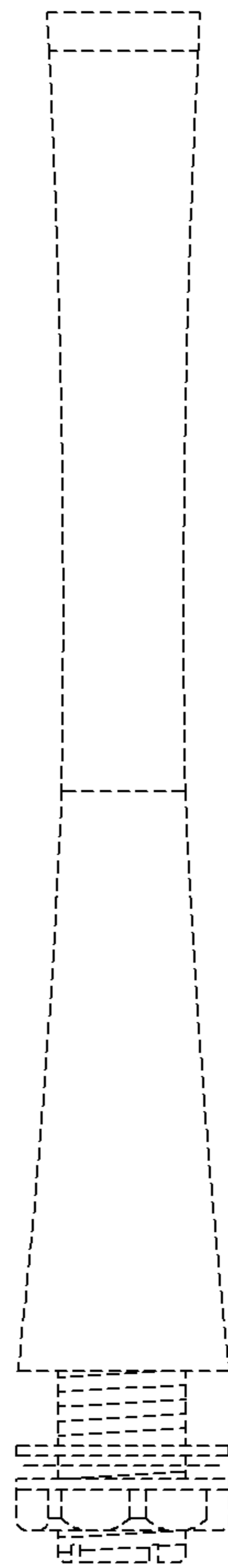


FIG. 24



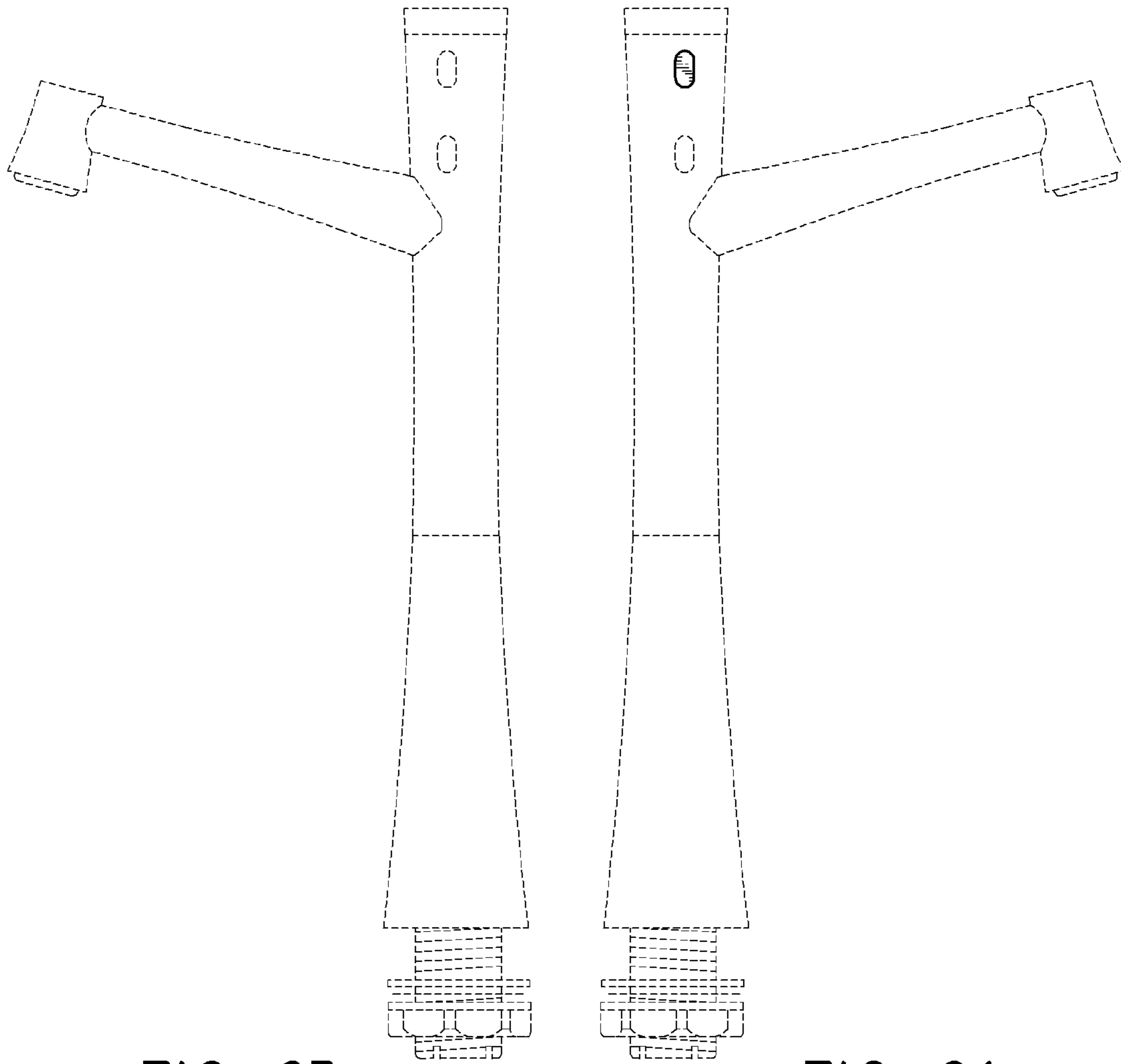


FIG. 25

FIG. 26

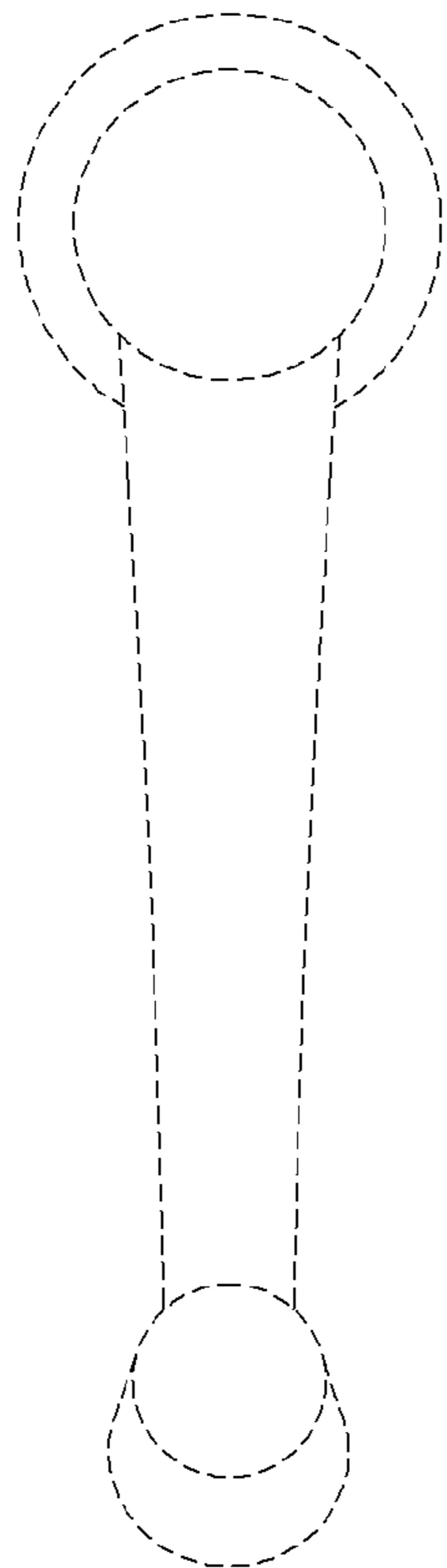


FIG. 27

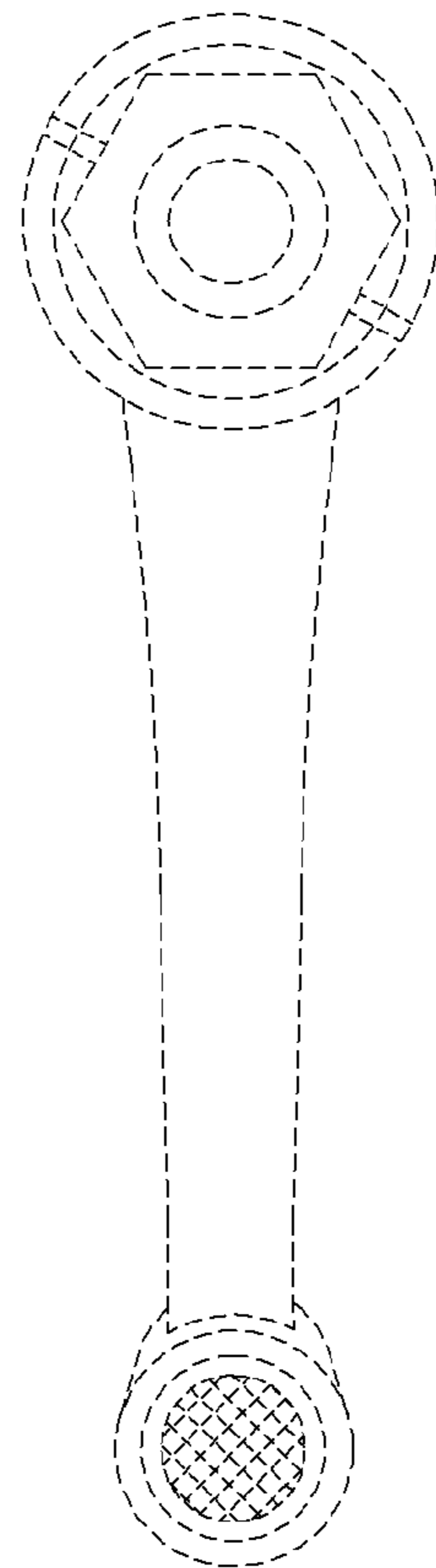


FIG. 28