



US00D735297S

(12) **United States Design Patent**  
**Sieger**

(10) **Patent No.:** **US D735,297 S**  
(45) **Date of Patent:** **\*\* Jul. 28, 2015**

(54) **SINK FAUCET**

(71) Applicant: **Aloys F. Dornbracht GmbH & Co. KG**, Iserlohn (DE)

(72) Inventor: **Michael Sieger**, Sassenberg (DE)

(73) Assignee: **ALOYS F. DORNBRACHT GmbH & CO. KG**, Iserlohn (DE)

(\*\*) Term: **14 Years**

(21) Appl. No.: **29/500,287**

(22) Filed: **Aug. 23, 2014**

(30) **Foreign Application Priority Data**

Feb. 28, 2014 (EP) ..... 002415620-0006

(51) **LOC (10) Cl.** ..... **23-01**

(52) **U.S. Cl.**  
USPC ..... **D23/238**

(58) **Field of Classification Search**  
USPC ..... D23/238, 241-243, 249, 252, 255, 257  
CPC ..... E03C 1/04; E03C 1/0401; E03C 1/0402;  
E03C 1/0404

See application file for complete search history.

(56) **References Cited**

U.S. PATENT DOCUMENTS

D265,229 S *	6/1982	Paul .....	D23/242
D530,396 S *	10/2006	Smith .....	D23/238
D536,065 S *	1/2007	Wang .....	D23/238
D566,815 S *	4/2008	Wang .....	D23/242
D570,450 S *	6/2008	Dolan .....	D23/241
D579,089 S *	10/2008	Dolan .....	D23/255
D614,734 S *	4/2010	Kulig .....	D23/242
D617,876 S *	6/2010	Williams et al. ....	D23/238

\* cited by examiner

*Primary Examiner* — Robert Delehanty

(74) *Attorney, Agent, or Firm* — Von Rohrscheidt Patents

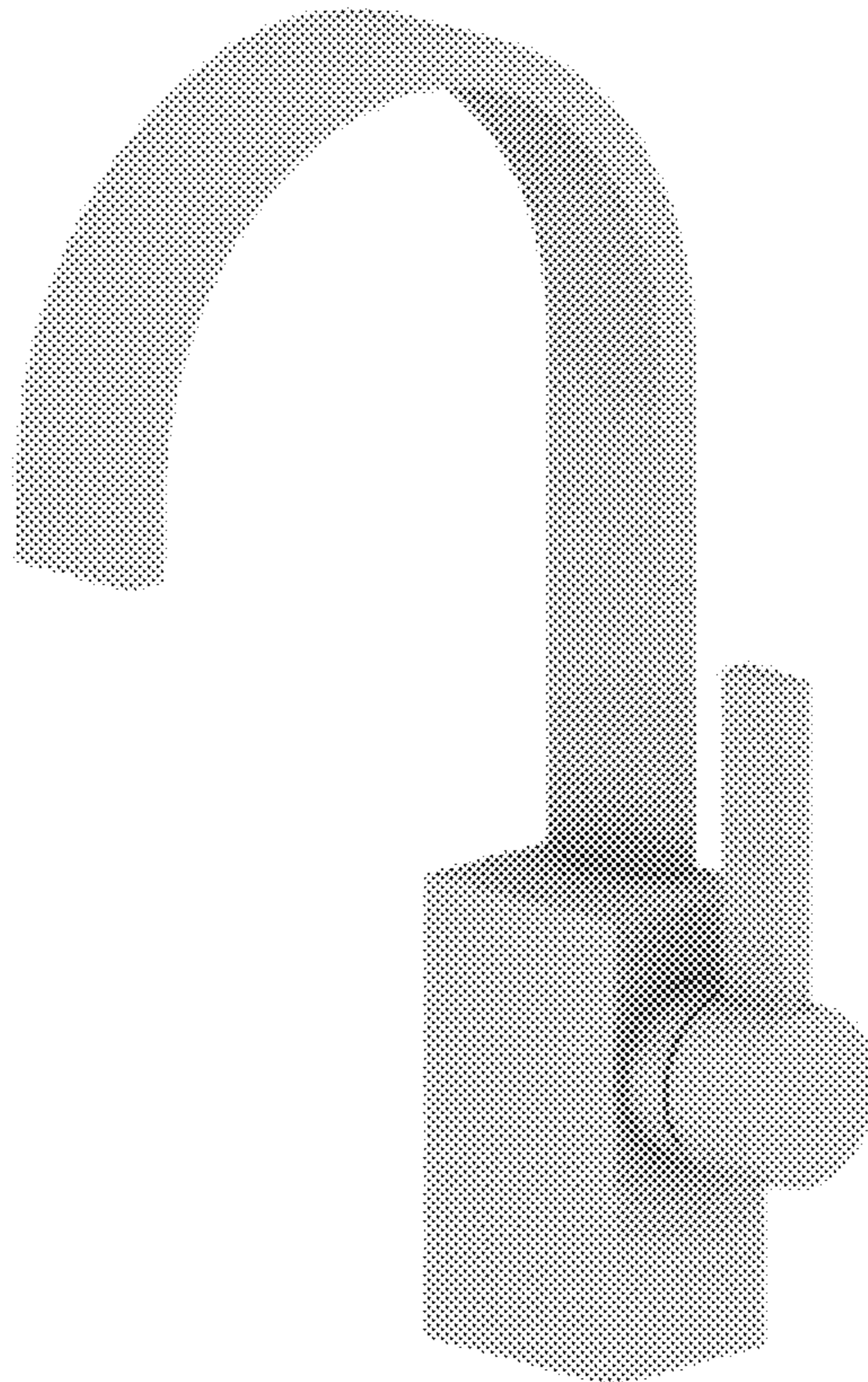
(57) **CLAIM**

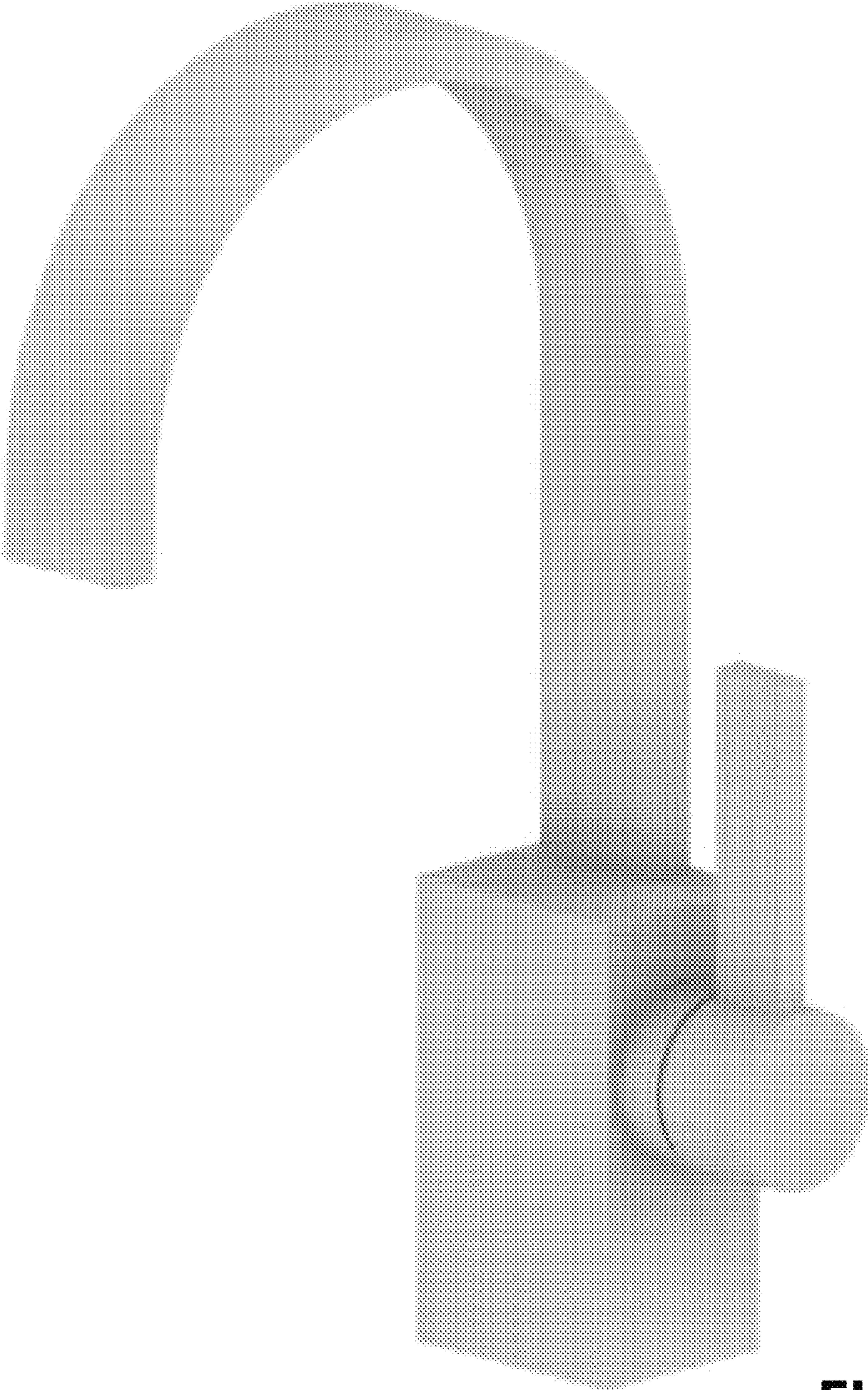
The ornamental design for a sink faucet, as shown and described.

**DESCRIPTION**

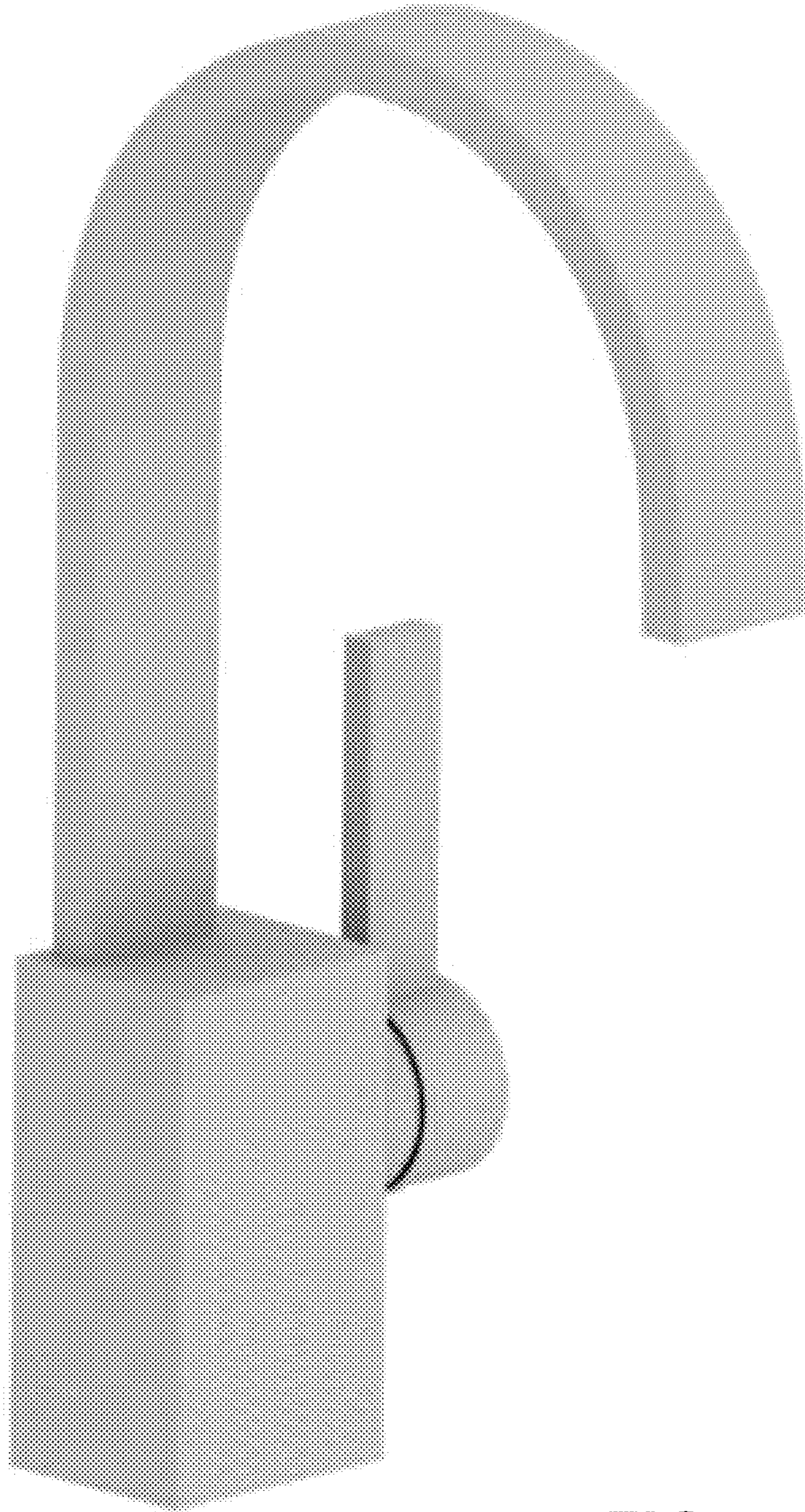
FIG. 1 illustrates a slanted front and left side view of the first embodiment of the sink faucet showing the new design. FIG. 2 illustrates a slanted front and right side view the sink faucet in FIG. 1. FIG. 3 illustrates a left side view of the sink faucet in FIG. 1. FIG. 4 illustrates a front view of the sink faucet in FIG. 1. FIG. 5 illustrates a rear view of the sink faucet in FIG. 1. FIG. 6 illustrates a right side view of the sink faucet in FIG. 1; and, FIG. 7 illustrates a top view of the sink faucet in FIG. 1.

**1 Claim, 7 Drawing Sheets**

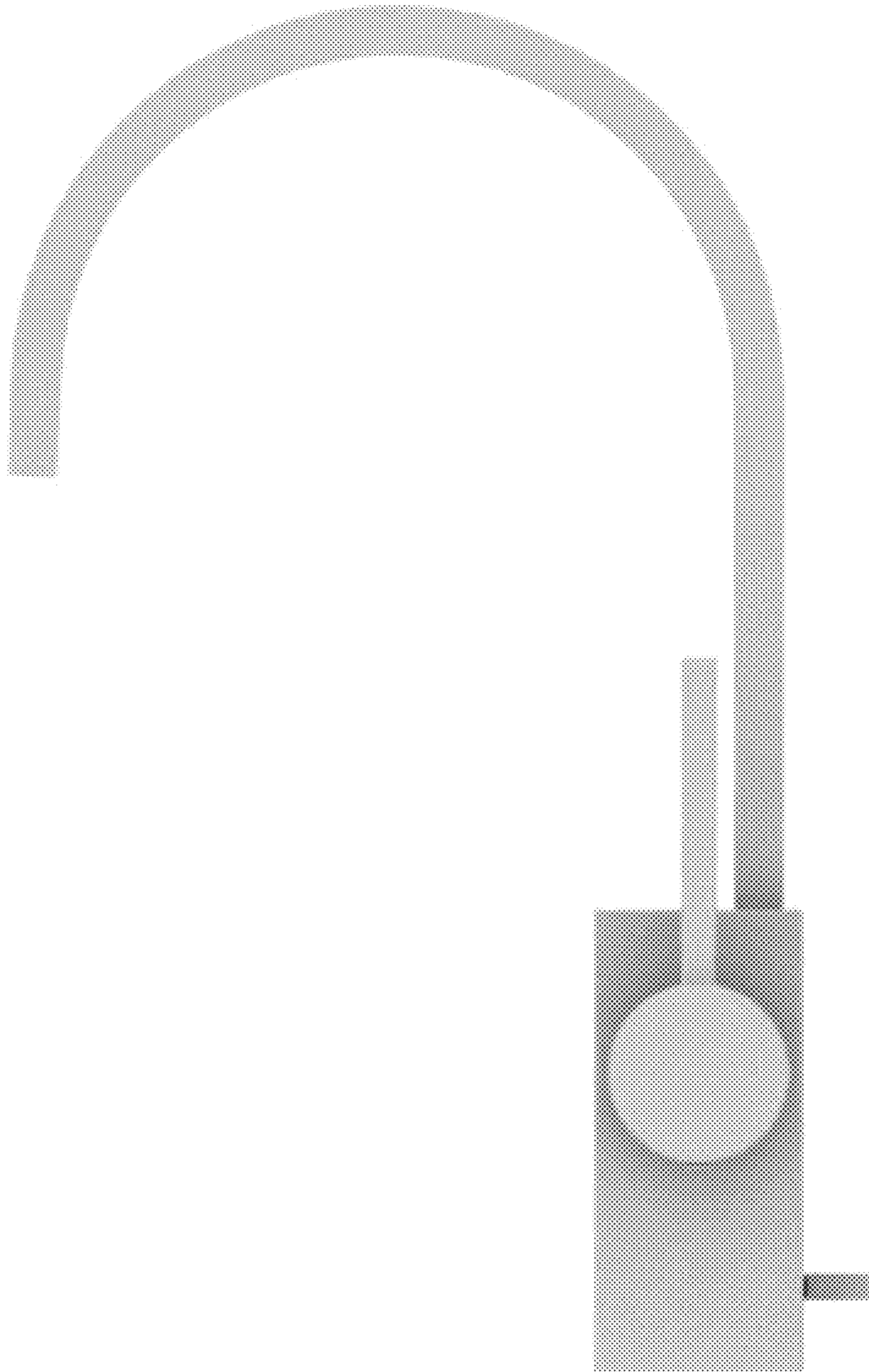




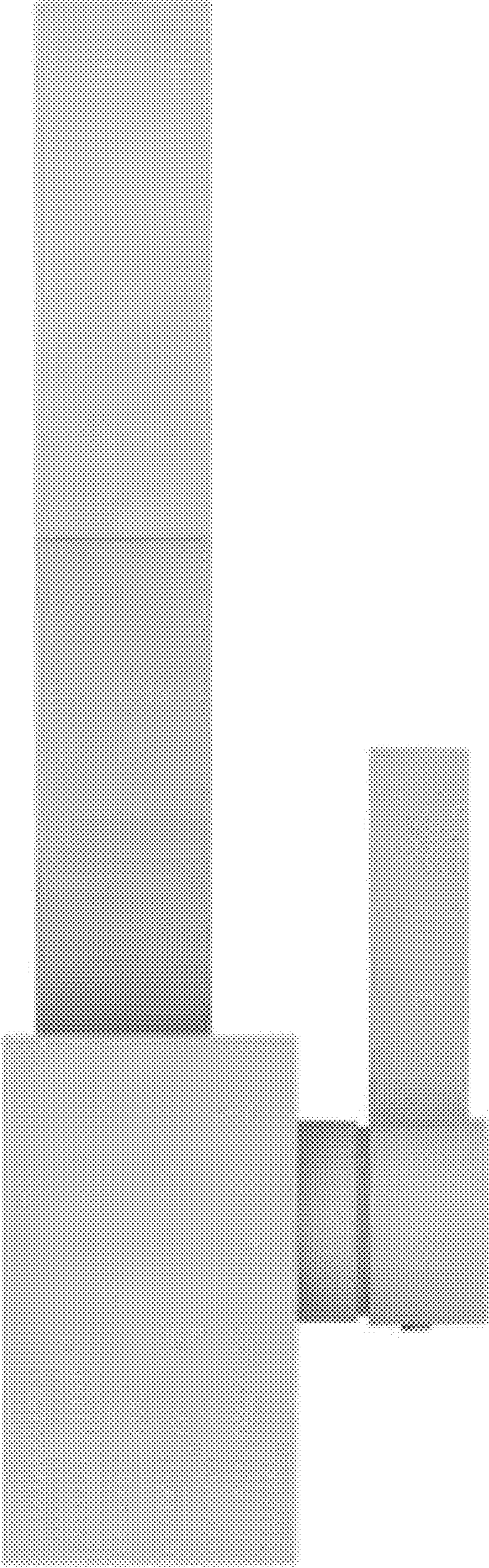
**FIG. 1**



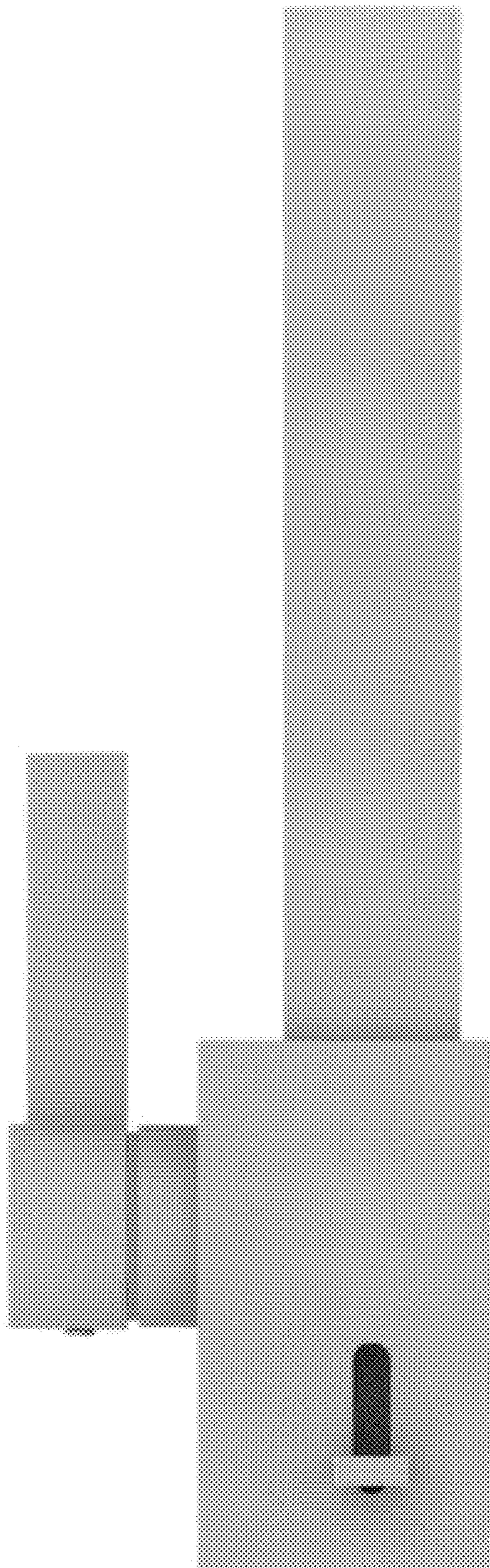
**FIG. 2**



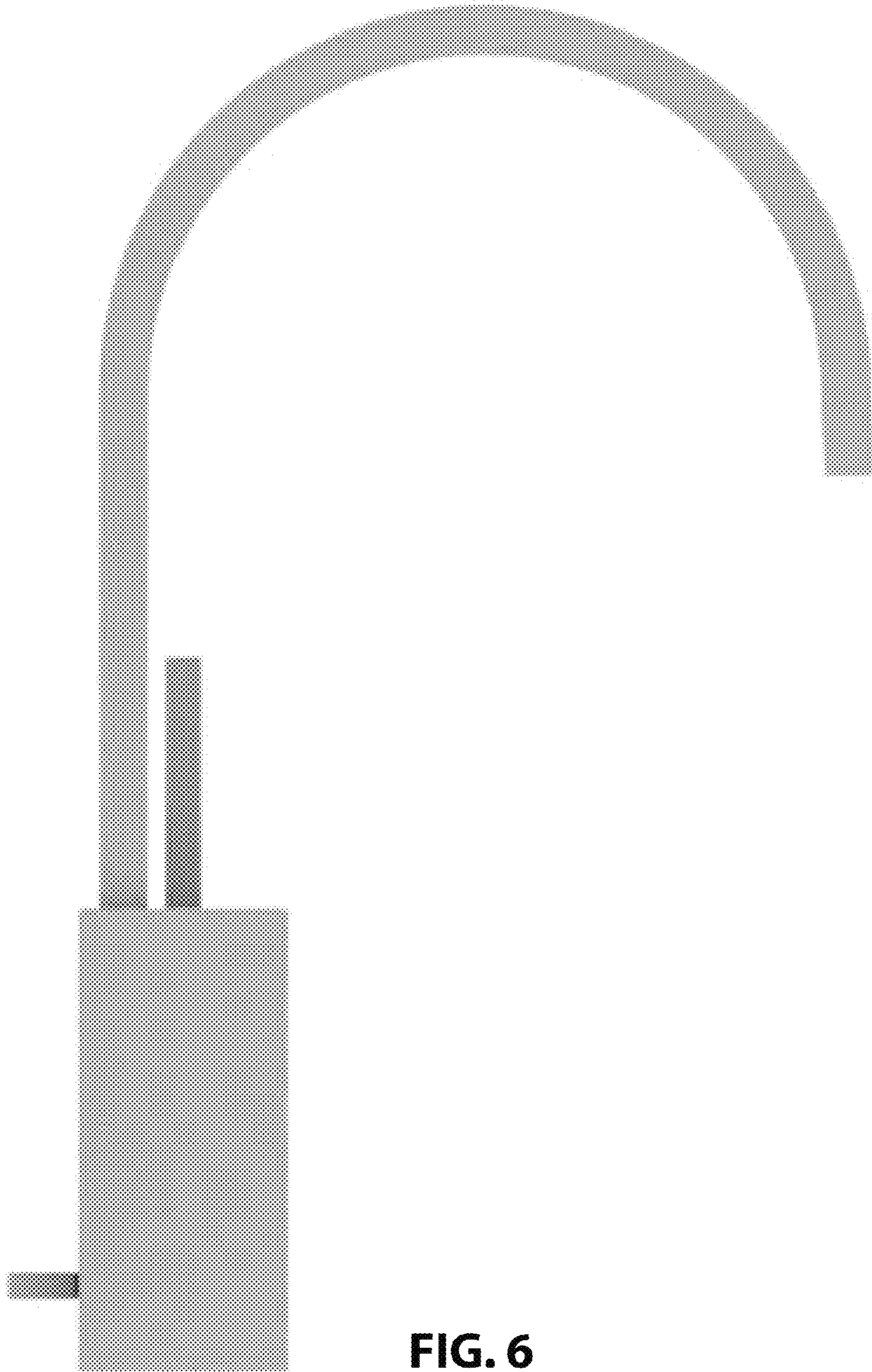
**FIG. 3**



**FIG. 4**



**FIG. 5**



**FIG. 6**



**FIG. 7**