



US00D735296S

(12) **United States Design Patent**
Bamber et al.

(10) **Patent No.:** **US D735,296 S**
(45) **Date of Patent:** **** Jul. 28, 2015**

(54) **COMBINED ANNULAR FLUX COLLECTOR AND VALVE BODY**

(71) Applicant: **Eaton Corporation**, Cleveland, OH (US)

(72) Inventors: **Daniel Bamber**, St. Clair Shores, MI (US); **Robert Dayton**, Attica, MI (US)

(73) Assignee: **Eaton Corporation**, Cleveland, OH (US)

(**) Term: **14 Years**

(21) Appl. No.: **29/512,346**

(22) Filed: **Dec. 18, 2014**

Related U.S. Application Data

(62) Division of application No. 29/486,240, filed on Mar. 27, 2014, now Pat. No. Des. 722,677.

(51) **LOC (10) Cl.** **23-01**

(52) **U.S. Cl.**
USPC **D23/233**

(58) **Field of Classification Search**
USPC D23/233-237, 244-249; 137/625.5, 137/625.27, 625.44, 625.48, 627.5, 597
CPC F16K 27/0254; F16K 1/42; F16K 1/04; F16K 1/46; F16K 47/023
See application file for complete search history.

(56) **References Cited**

U.S. PATENT DOCUMENTS

D412,738 S * 8/1999 Kuwabara D23/233
D435,635 S * 12/2000 Taneya D23/233
6,267,883 B1 * 7/2001 Weaver et al. 210/198.1
D544,574 S * 6/2007 Cummings D23/233
D667,082 S * 9/2012 Fukushima D23/235

D694,370 S * 11/2013 Wilcox D23/245
D700,683 S * 3/2014 Atwell D23/235
D718,835 S * 12/2014 Lipkens D23/207
D722,674 S * 2/2015 Lipkens et al. D23/207
D722,677 S * 2/2015 Bamber et al. D23/233
D724,181 S * 3/2015 Condon et al. D23/233
2010/0294382 A1 * 11/2010 Su 137/528
2010/0313968 A1 * 12/2010 Lee 137/231
2014/0021386 A1 * 1/2014 Ochiai et al. 251/129.15
2014/0209827 A1 * 7/2014 Kung 251/264
2014/0230928 A1 * 8/2014 Gilstad et al. 137/528
2015/0040998 A1 * 2/2015 Gilstad et al. 137/514
2015/0041697 A1 * 2/2015 Hermann et al. 251/264

* cited by examiner

Primary Examiner — Cynthia Ramirez

(74) *Attorney, Agent, or Firm* — Quinn Law Group, PLLC.

(57) **CLAIM**

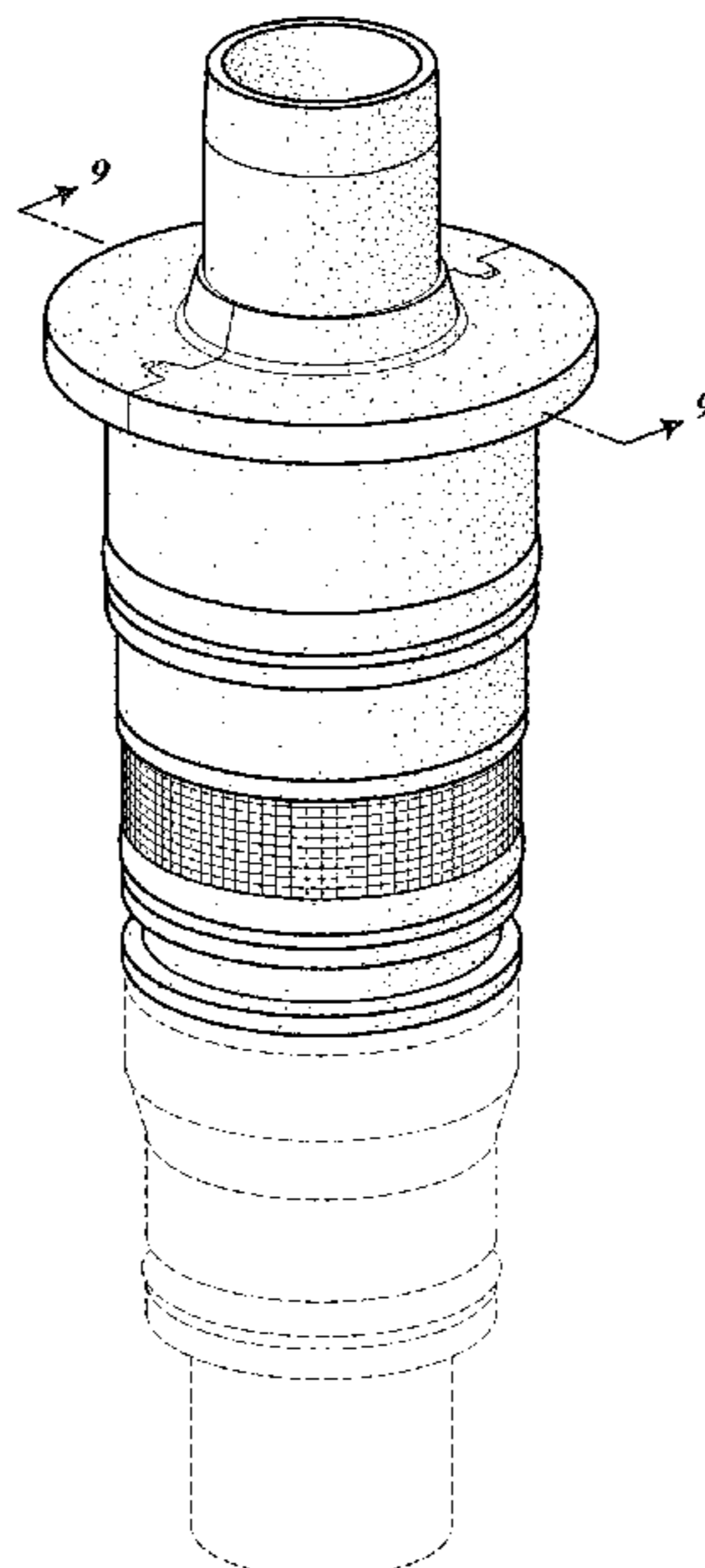
The ornamental design for a combined annular flux collector and valve body, as shown and described.

DESCRIPTION

FIG. 1 is a top view a combined annular flux collector and valve body showing my new design;
FIG. 2 is a bottom view thereof;
FIG. 3 is a back view thereof;
FIG. 4 is a front view thereof;
FIG. 5 is a side view thereof;
FIG. 6 is an opposite side view thereof;
FIG. 7 is a perspective view thereof, with the flux collector shown in an exploded view;
FIG. 8 is a perspective view thereof; and,
FIG. 9 is a cross-sectional view thereof taken at the lines 9-9 in FIG. 8.

The broken lines showing the valve body extension is included for the purpose of illustrating environment and forms no part of the claimed design.

1 Claim, 6 Drawing Sheets



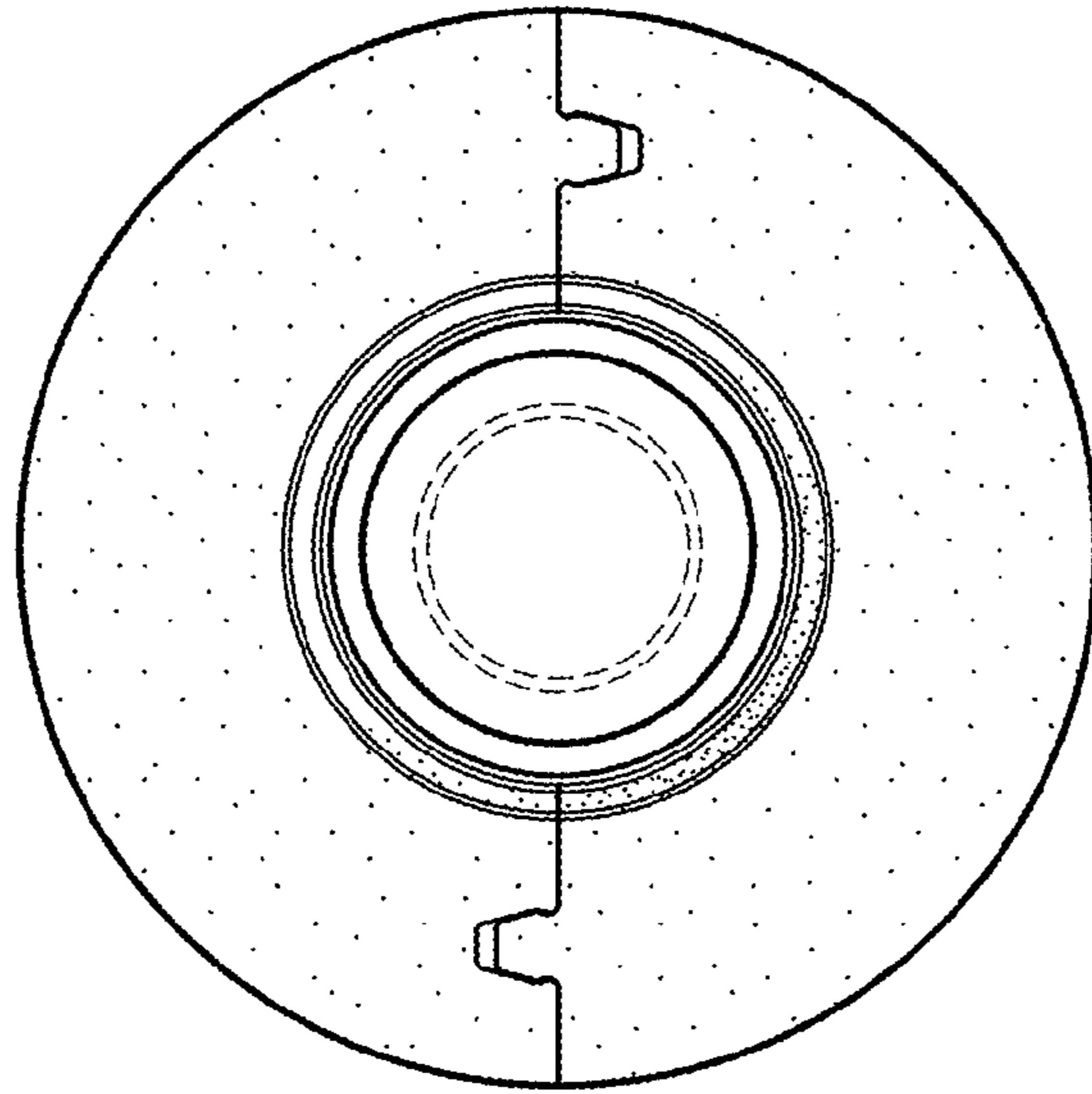


FIG. 1

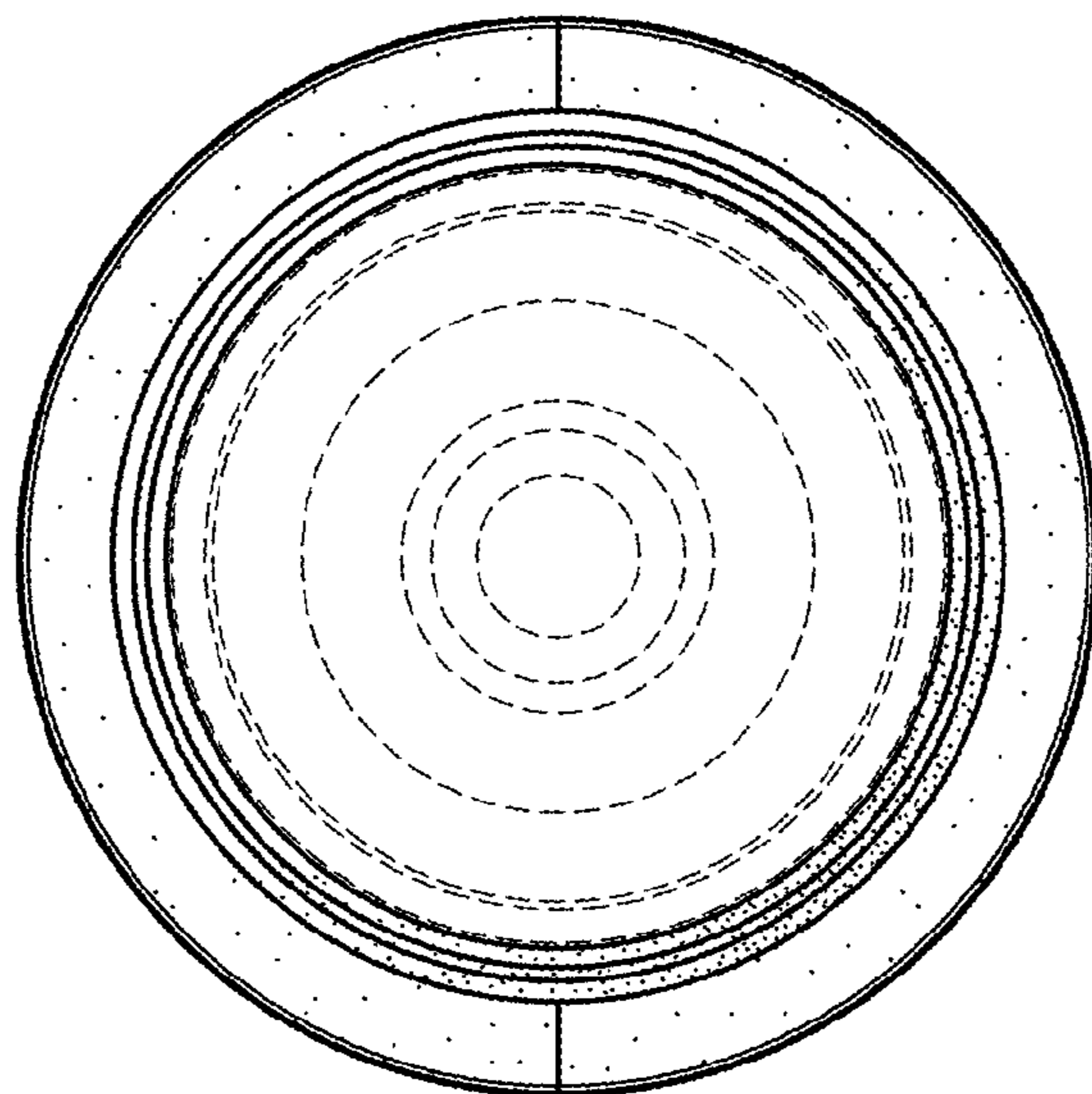


FIG. 2

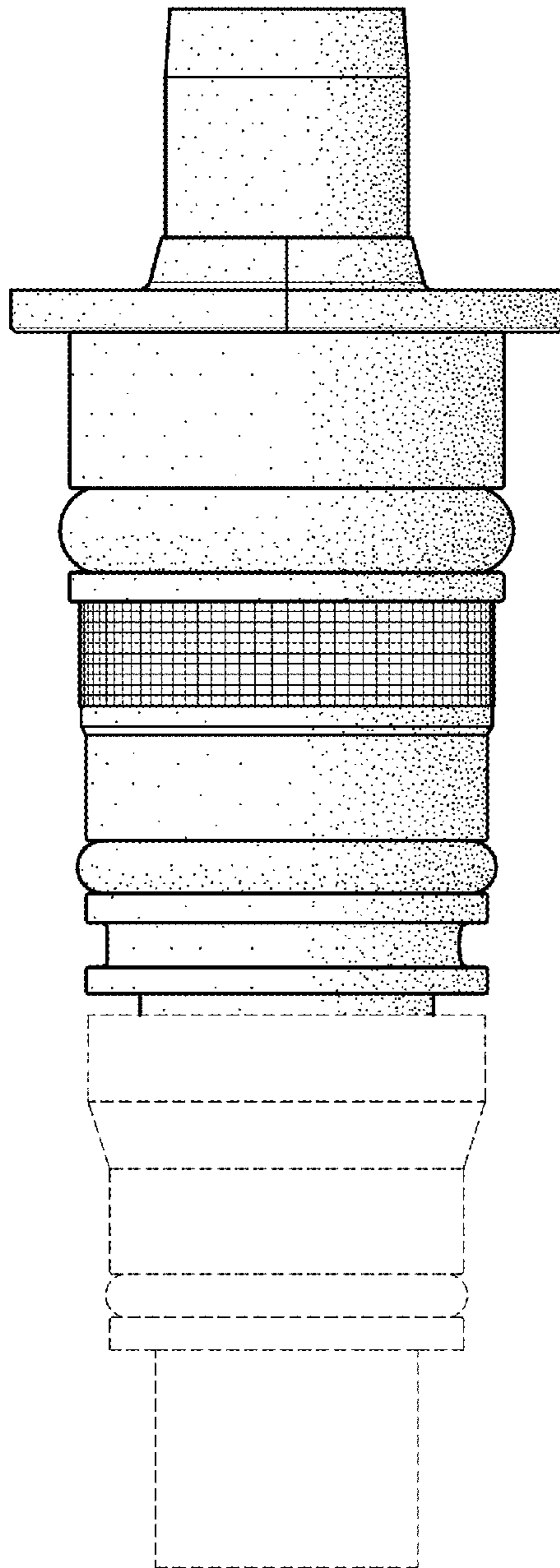


FIG. 3

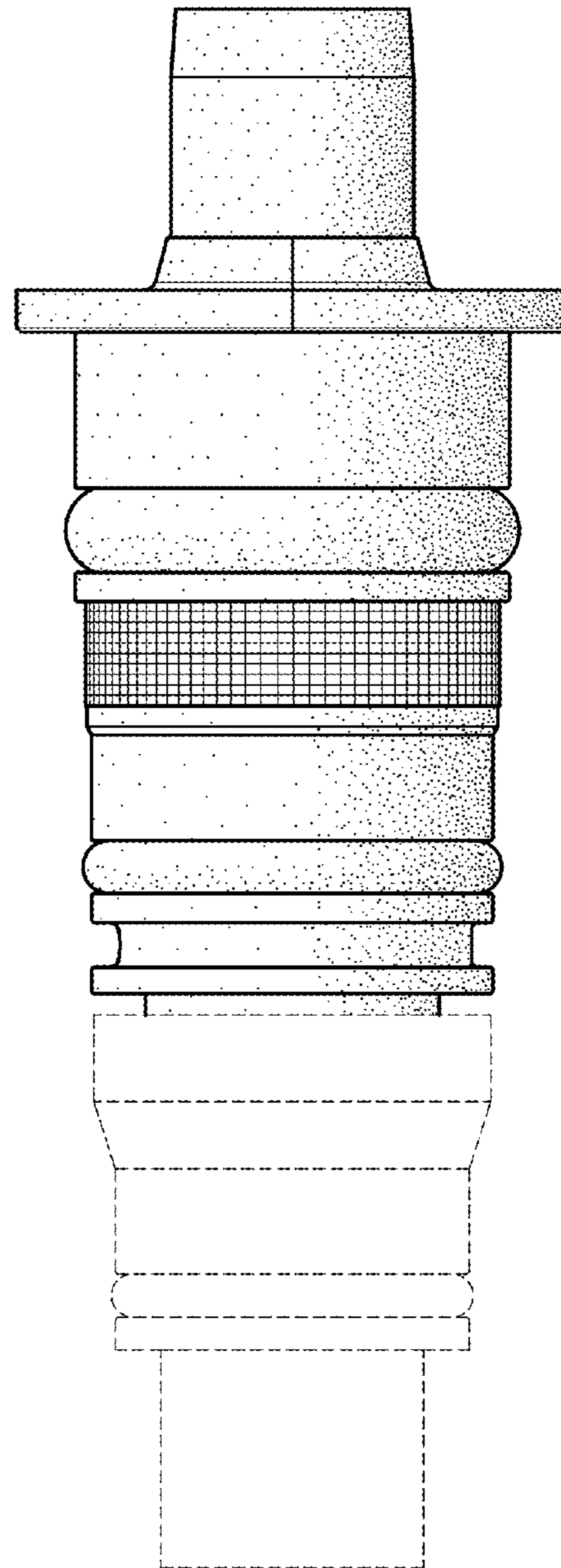


FIG. 4

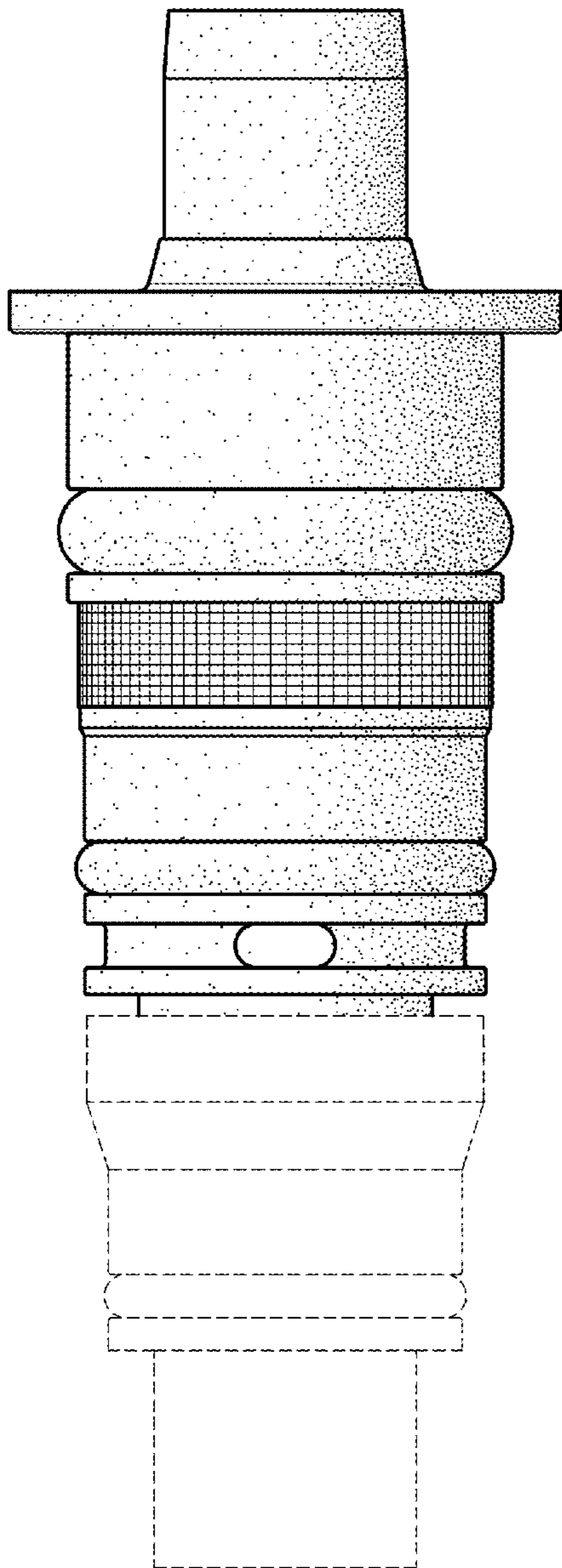


FIG. 5

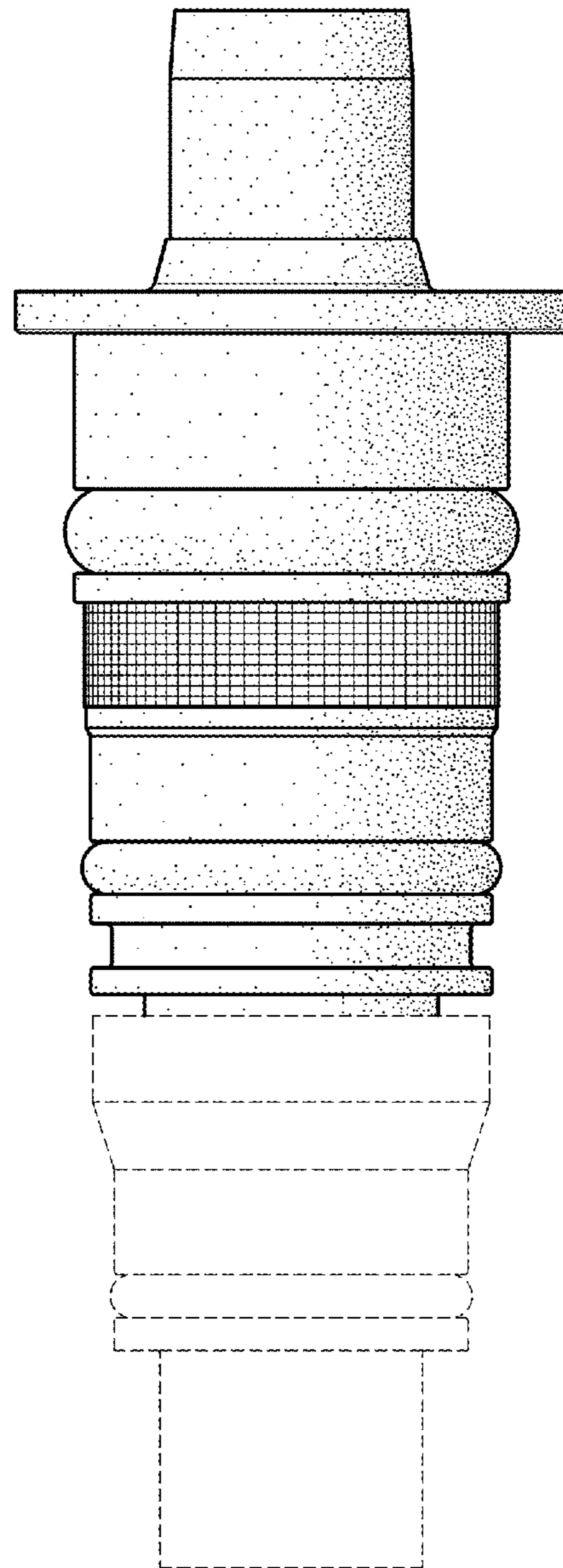


FIG. 6

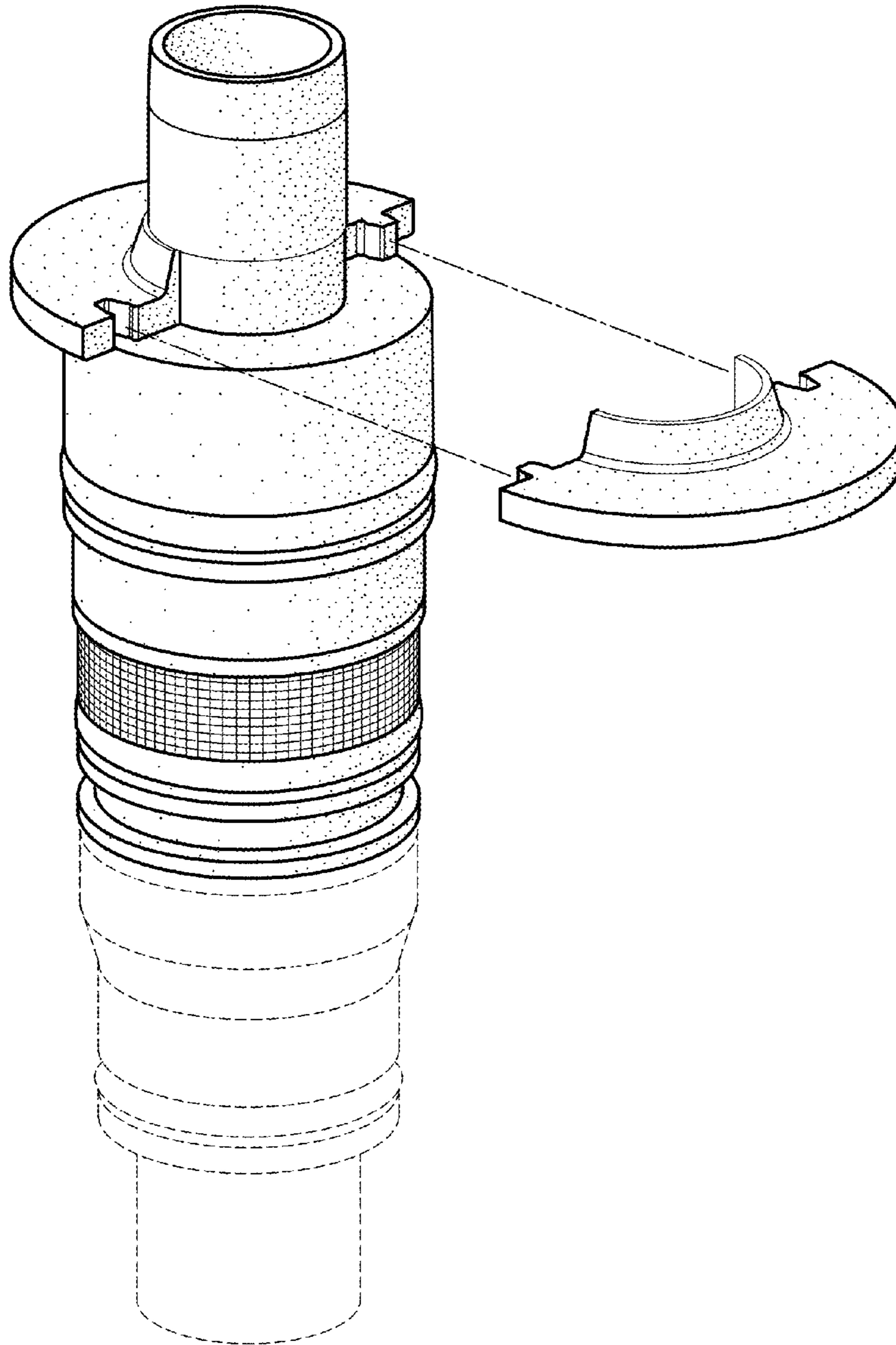


FIG. 7

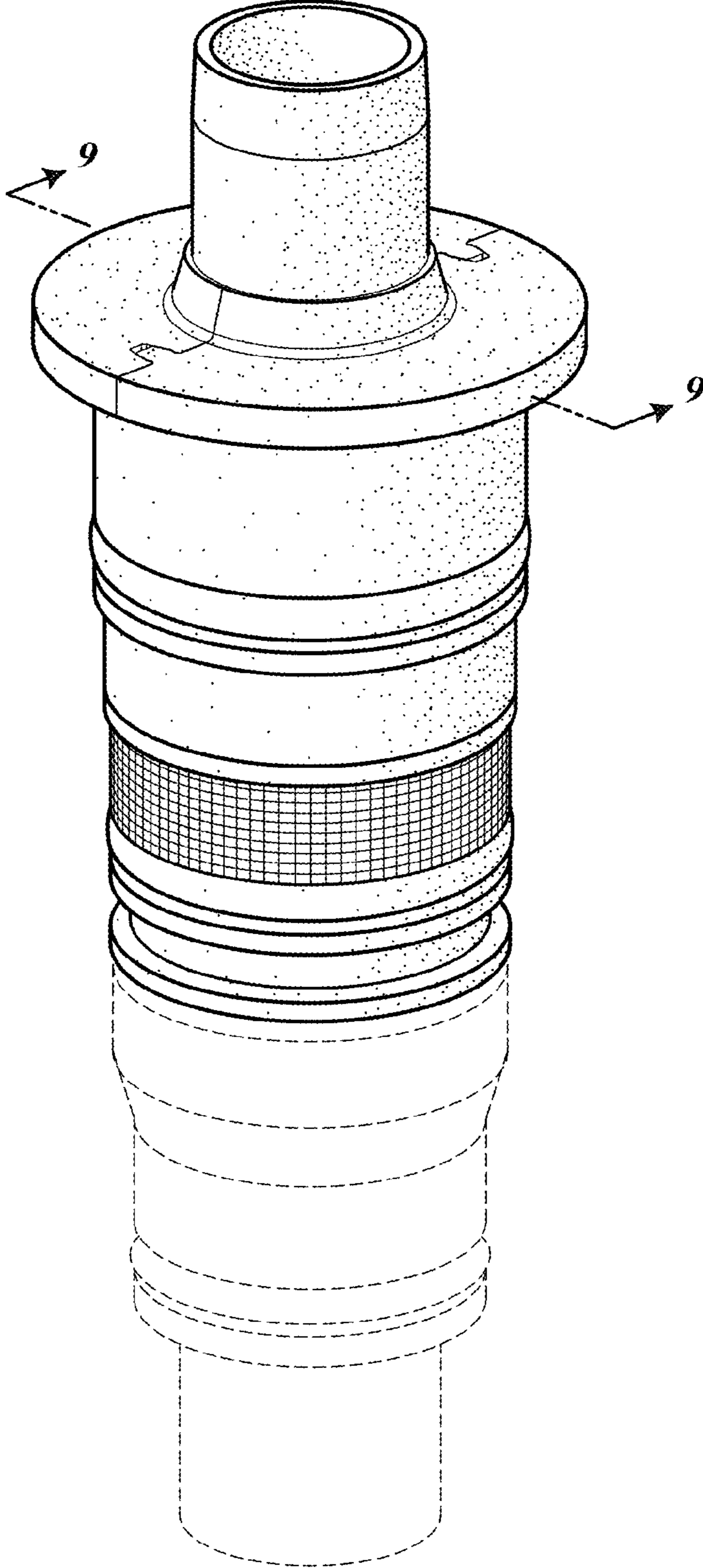


FIG. 8

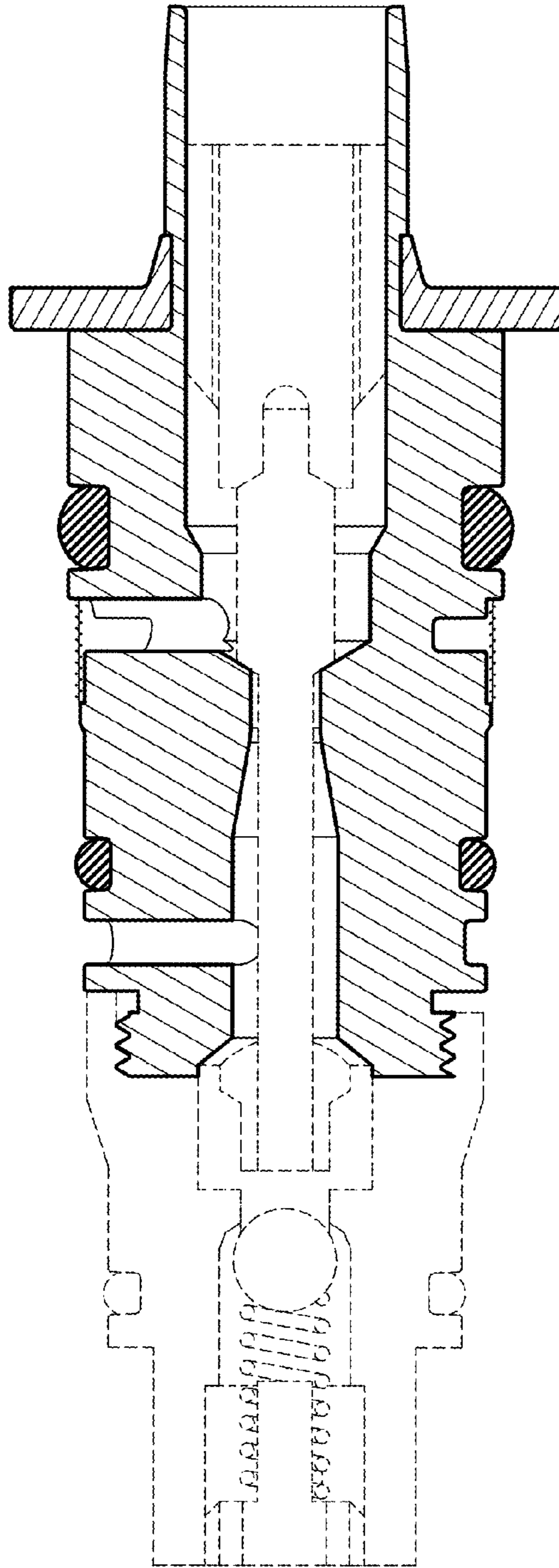


FIG. 9