



US00D735295S

(12) **United States Design Patent**
McKeone et al.

(10) **Patent No.:** **US D735,295 S**
(45) **Date of Patent:** **** Jul. 28, 2015**

- (54) **SHOWERHEAD**
- (71) Applicant: **Kohler Co.**, Kohler, WI (US)
- (72) Inventors: **William C. McKeone**, Sheboygan, WI (US); **Michael Smith**, Santa Monica, CA (US)
- (73) Assignee: **KOHLER CO.**, Kohler, WI (US)
- (**) Term: **14 Years**
- (21) Appl. No.: **29/499,574**
- (22) Filed: **Aug. 15, 2014**

D524,412 S	7/2006	Blomstrom	
D540,424 S	4/2007	Kirar	
D590,913 S	4/2009	Smith et al.	
D599,881 S *	9/2009	Wang et al.	D23/213
D605,249 S	12/2009	Bailey	
D619,202 S *	7/2010	Zhang	D23/213
D620,076 S	7/2010	Jian et al.	
D638,100 S	5/2011	Juan	
D652,482 S	1/2012	Obara et al.	
D667,927 S	9/2012	Linginfelter	
D678,465 S *	3/2013	Zhadanov	D23/213
D678,468 S	3/2013	Hanna	
D680,617 S *	4/2013	Zhadanov	D23/213
D705,897 S *	5/2014	Bailey	D23/213

* cited by examiner

Primary Examiner — Robin V Webster
(74) *Attorney, Agent, or Firm* — Foley & Lardner LLP

Related U.S. Application Data

- (62) Division of application No. 29/452,520, filed on Apr. 17, 2013, now Pat. No. Des. 713,002.
- (51) **LOC (10) Cl.** **23-01**
- (52) **U.S. Cl.**
USPC **D23/213**
- (58) **Field of Classification Search**
USPC D23/213, 223, 229, 230; 239/282, 283; 4/615
CPC B05B 1/18; B05B 1/00
See application file for complete search history.

(57) **CLAIM**

We claim the ornamental design for a showerhead, as shown and described.

DESCRIPTION

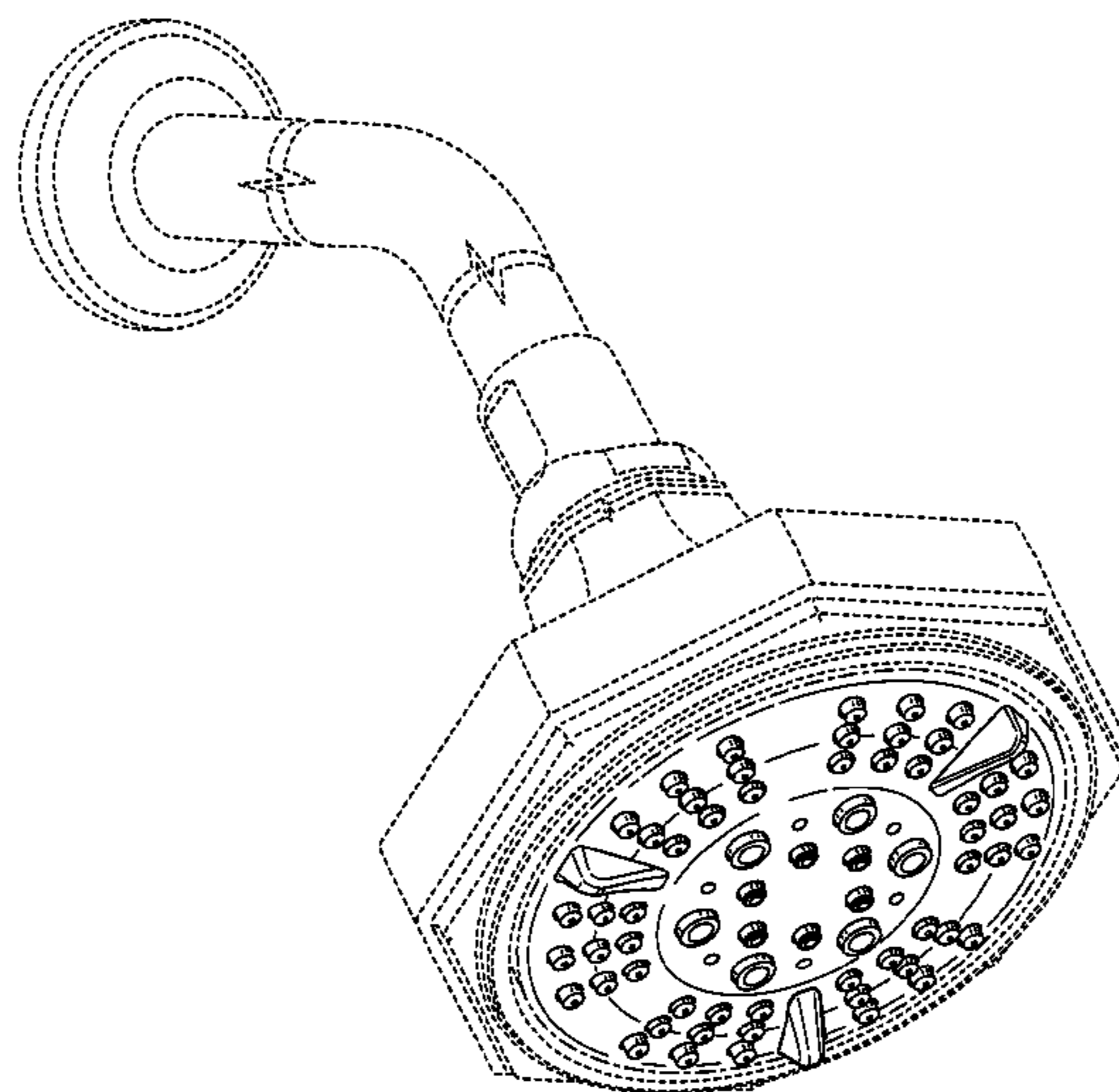
FIG. 1 is a bottom, left, front perspective view of an embodiment of the claimed design;
FIG. 2 is a left elevation view thereof;
FIG. 3 is a right elevation view thereof;
FIG. 4 is a front elevation view thereof;
FIG. 5 is rear elevation view thereof;
FIG. 6 is a top plan view thereof; and,
FIG. 7 is a bottom plan view thereof.

The ornamental design which is claimed is shown in solid lines in the drawings. The broken lines in the drawings are for illustrative purposes only and form no part of the claimed design. Broken lines formed by equal length dashes show unclaimed portions of the design. Broken lines formed of unequal length dashes (i.e., dash-dot) show boundaries between claimed and unclaimed portions of the design. Broken lines having a jagged element show that the no particular length of the portion is claimed.

1 Claim, 7 Drawing Sheets

- (56) **References Cited**
U.S. PATENT DOCUMENTS

733,635 A	7/1903	Dunn
D487,498 S	3/2004	Blomstrom
D500,121 S	12/2004	Blomstrom
D500,549 S	1/2005	Blomstrom
D500,839 S	1/2005	Blomstrom
D501,242 S	1/2005	Blomstrom
D507,820 S	7/2005	Blomstrom
D508,108 S	8/2005	Blomstrom
D508,730 S	8/2005	Blomstrom
D512,763 S	12/2005	Blomstrom
D512,764 S	12/2005	Kohler et al.



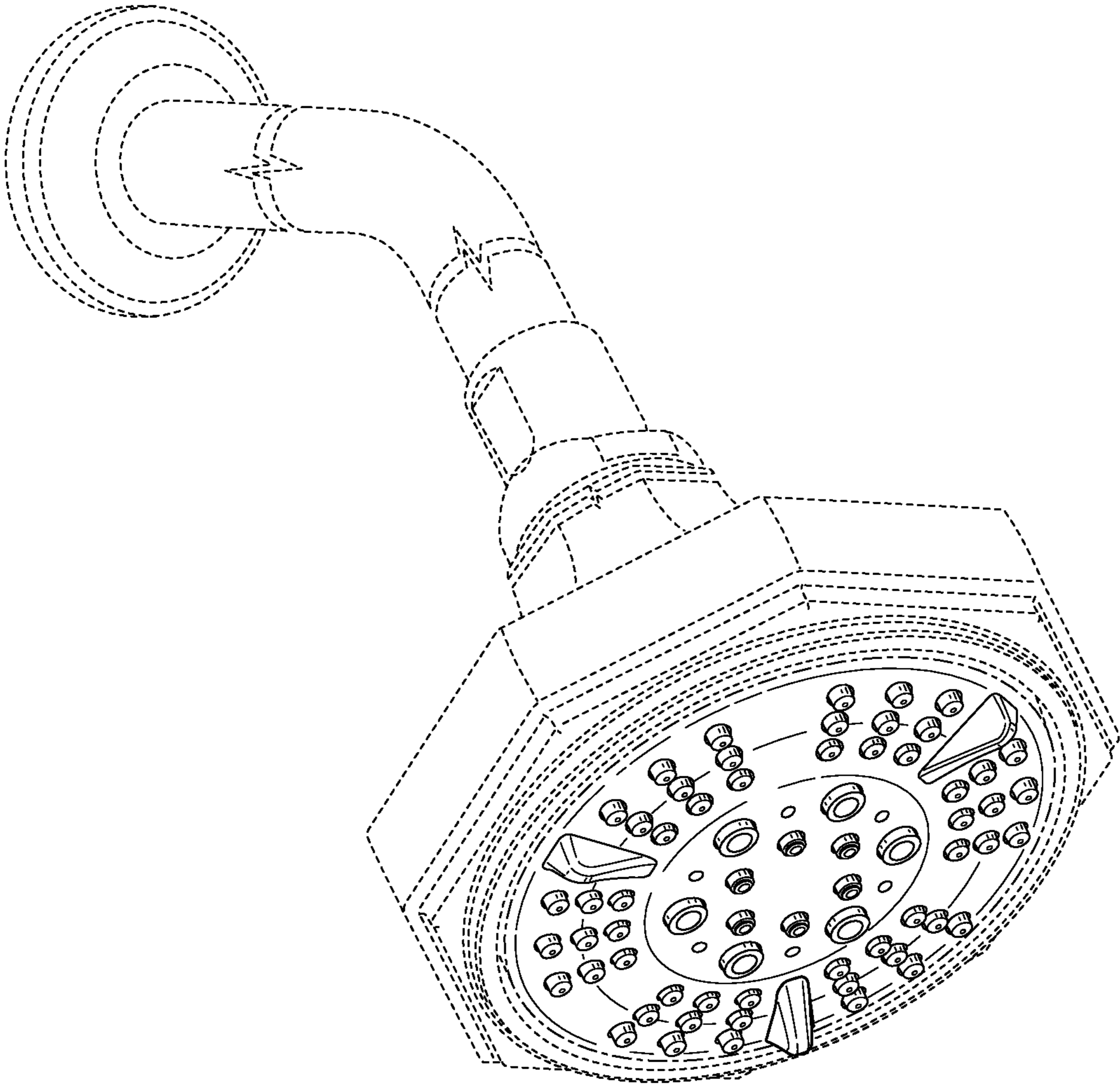


FIG. 1

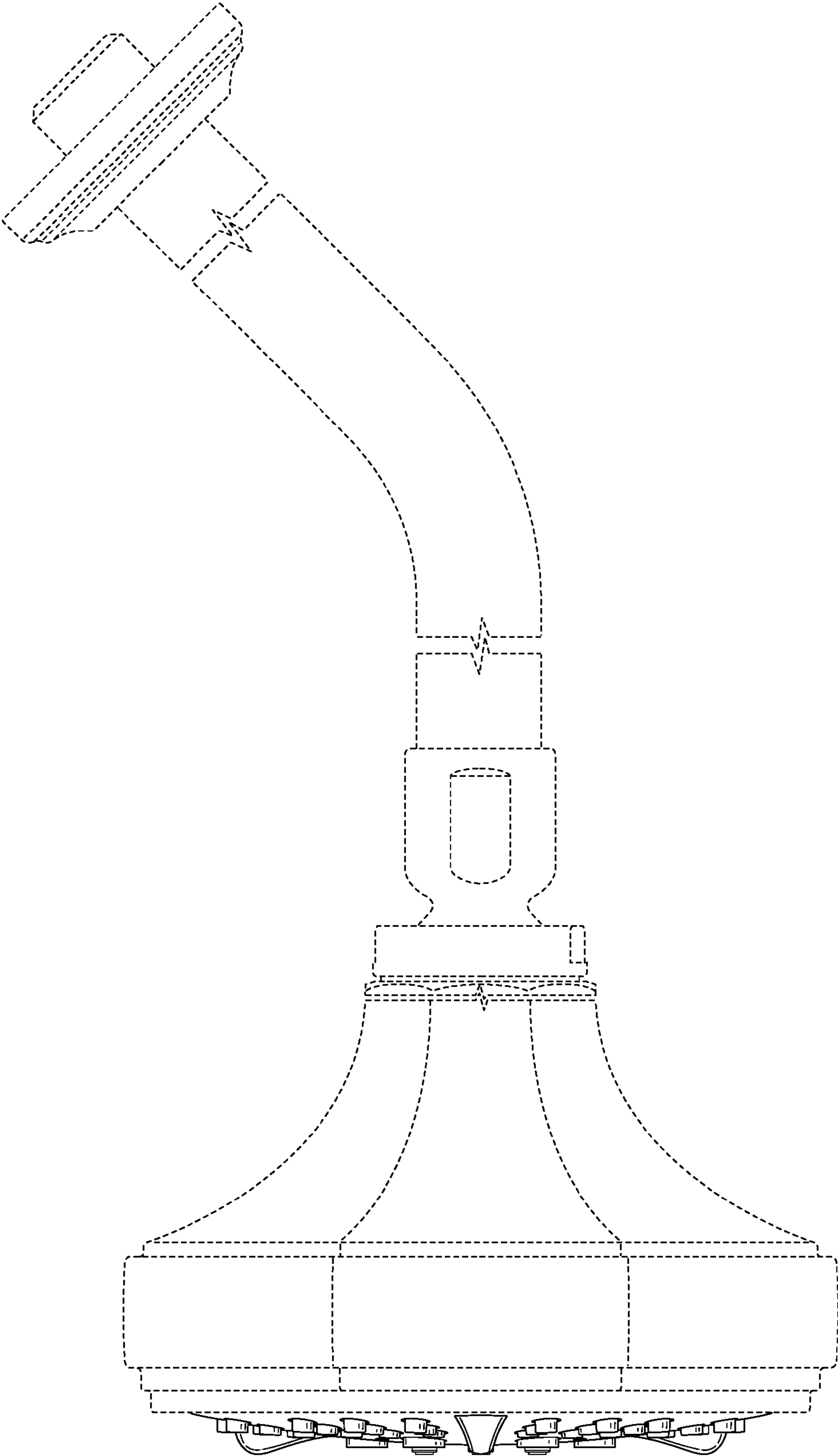


FIG. 2

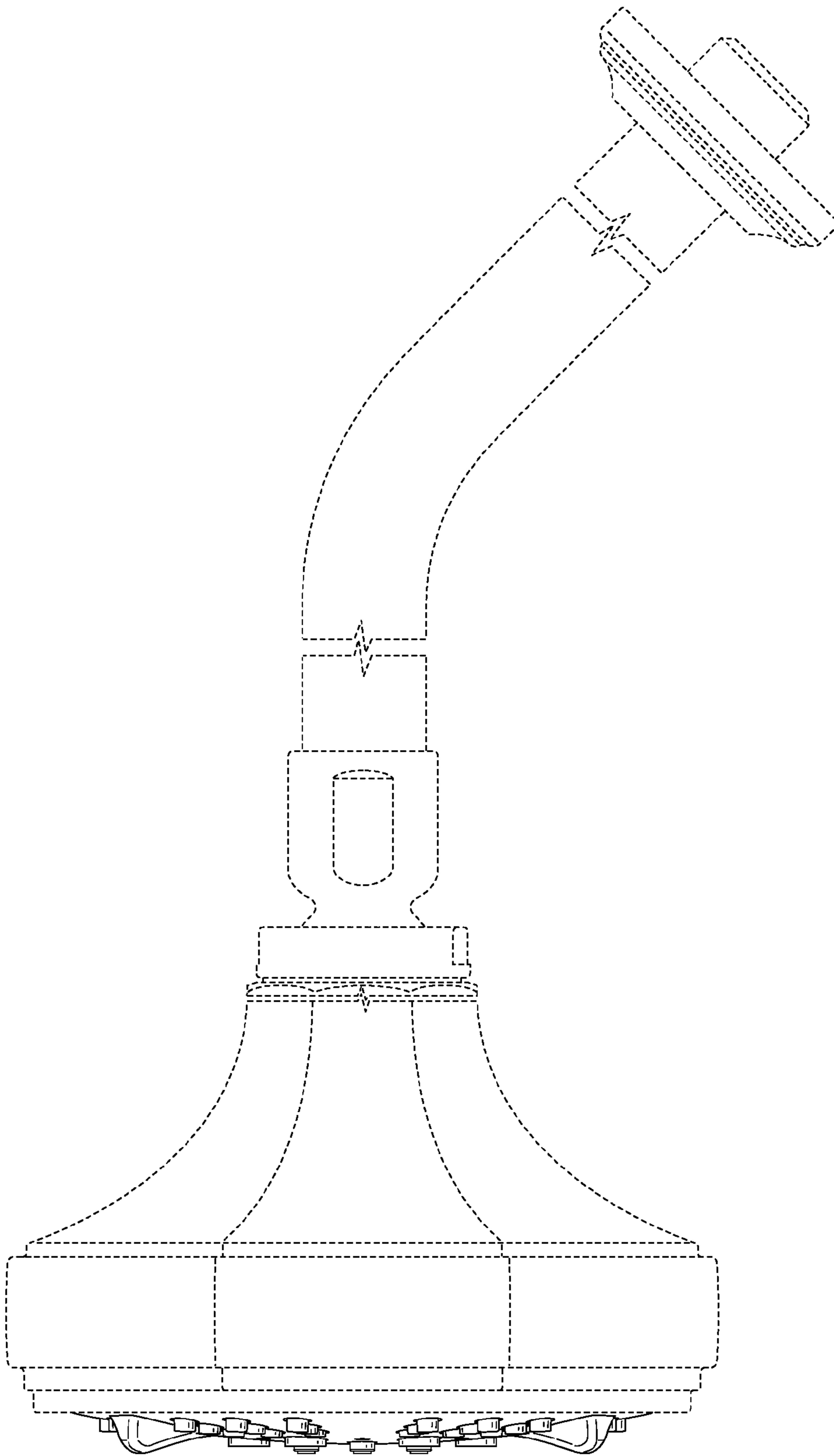


FIG. 3

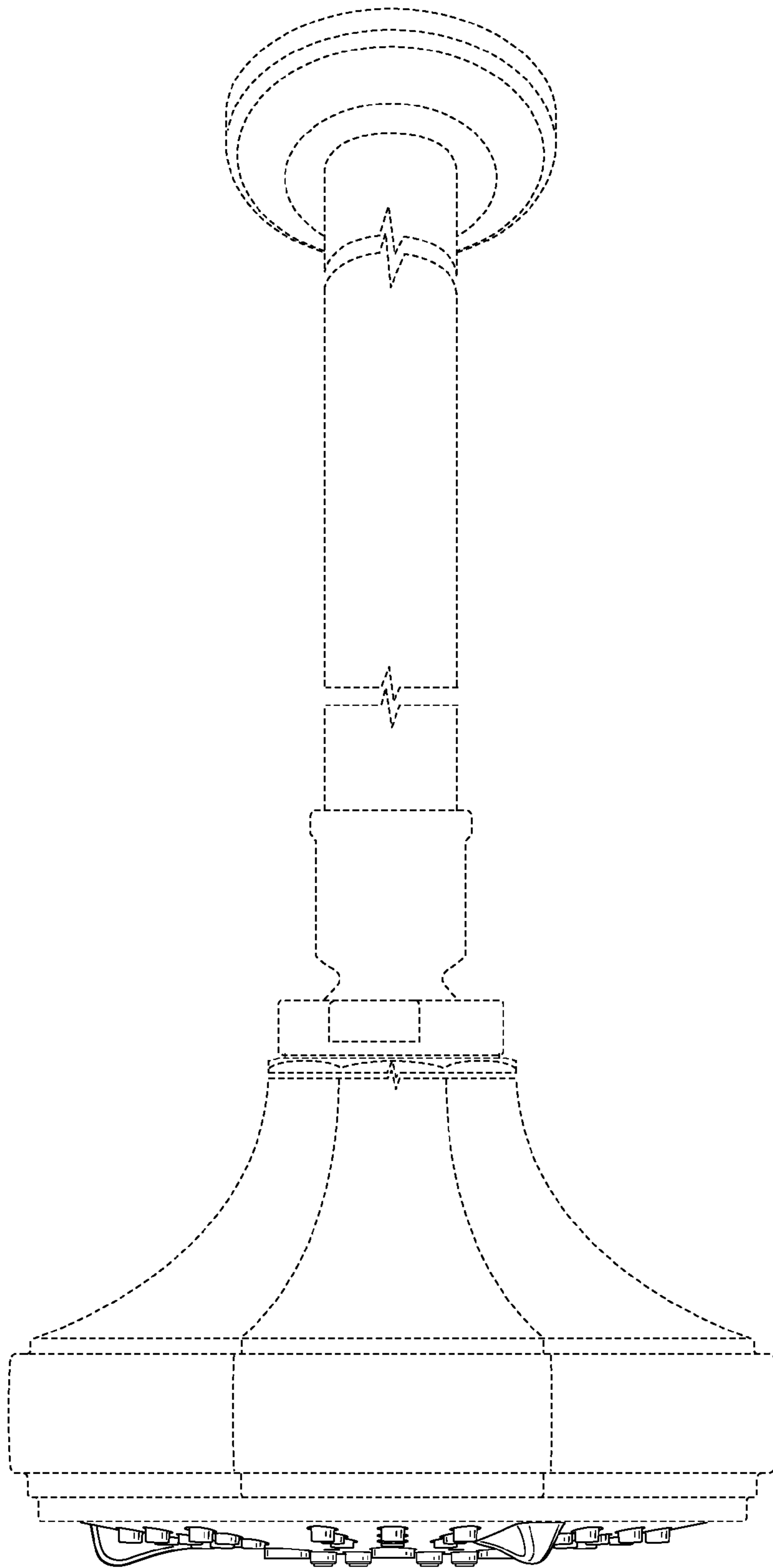


FIG. 4

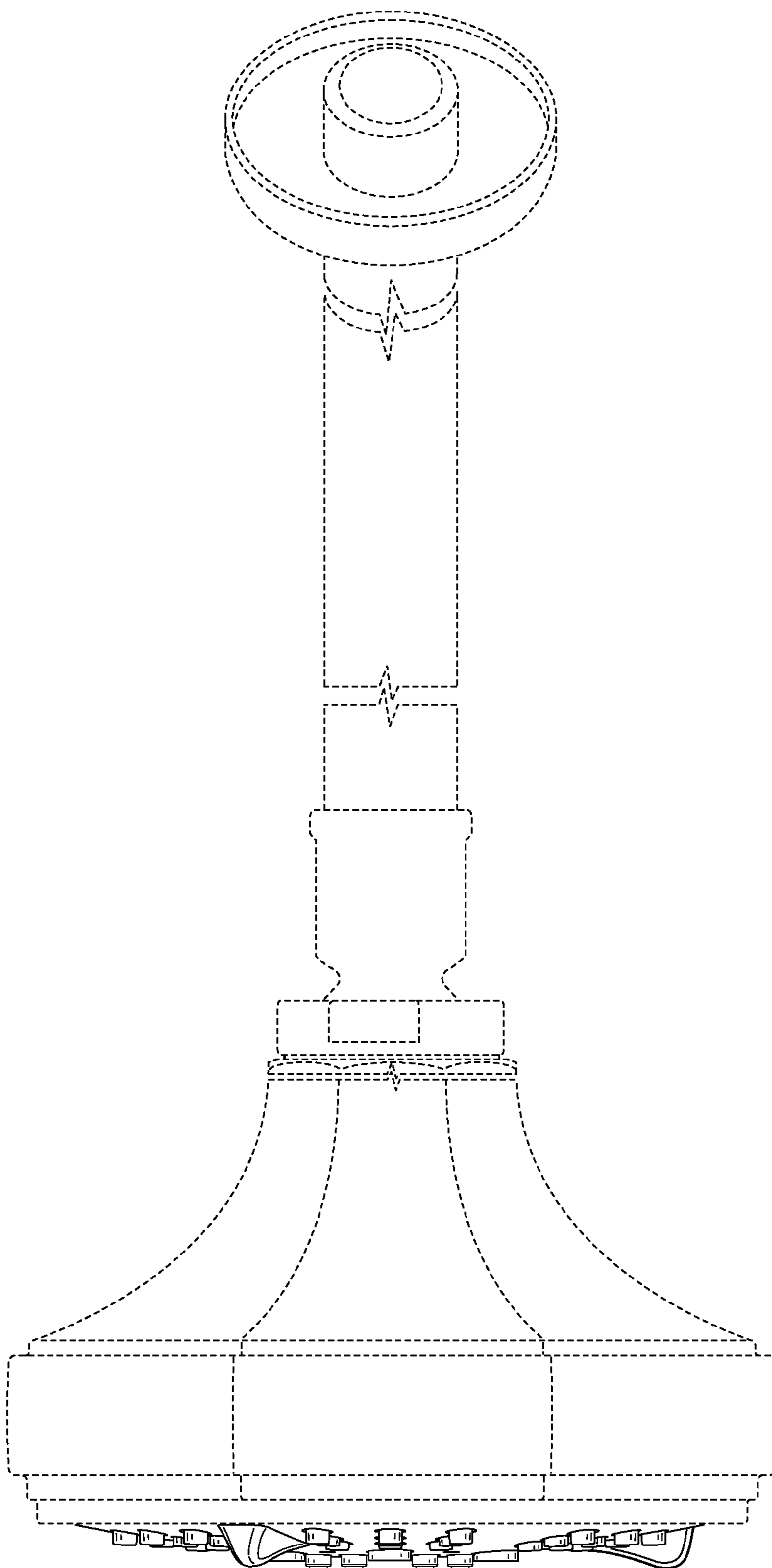


FIG. 5

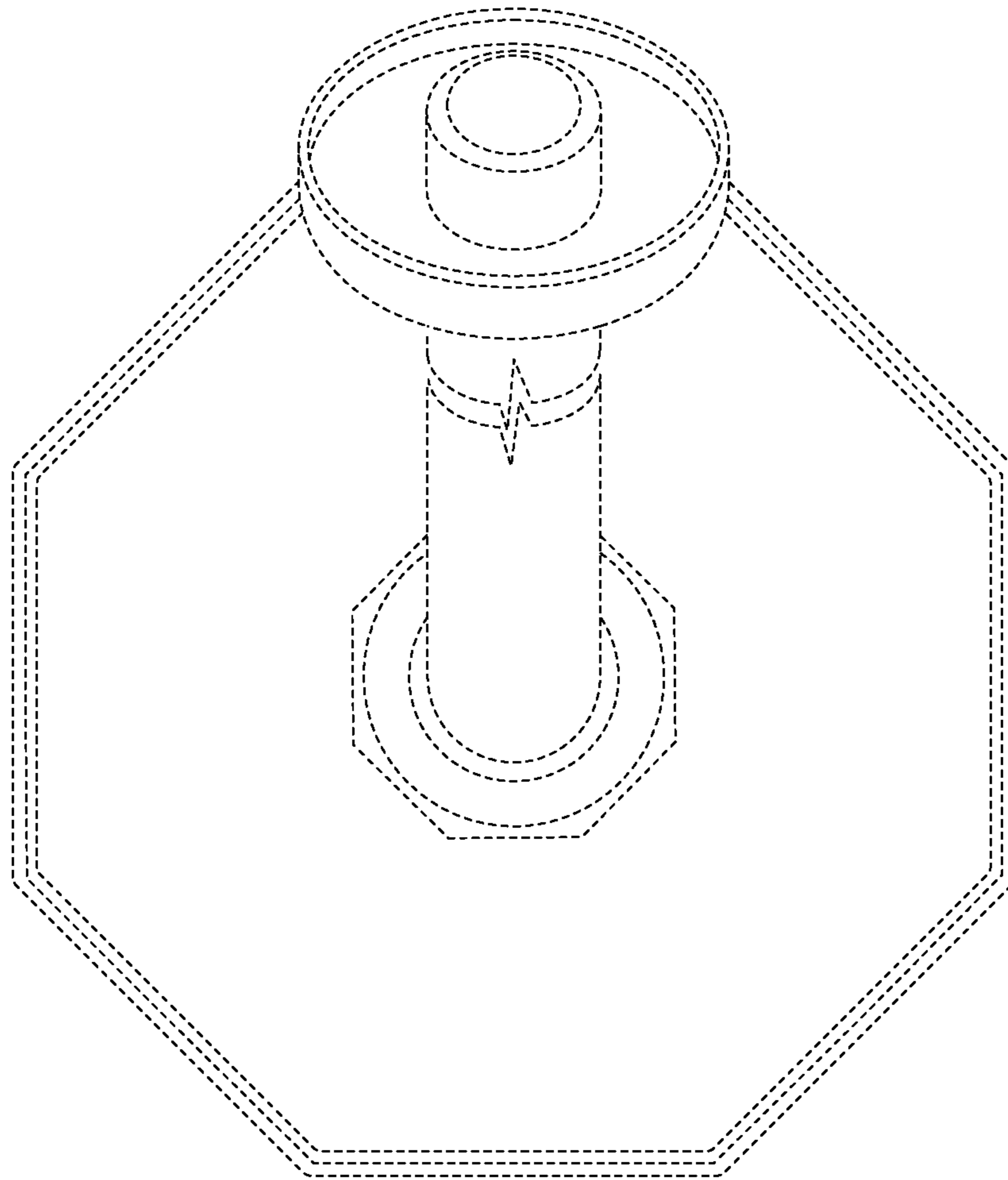


FIG. 6

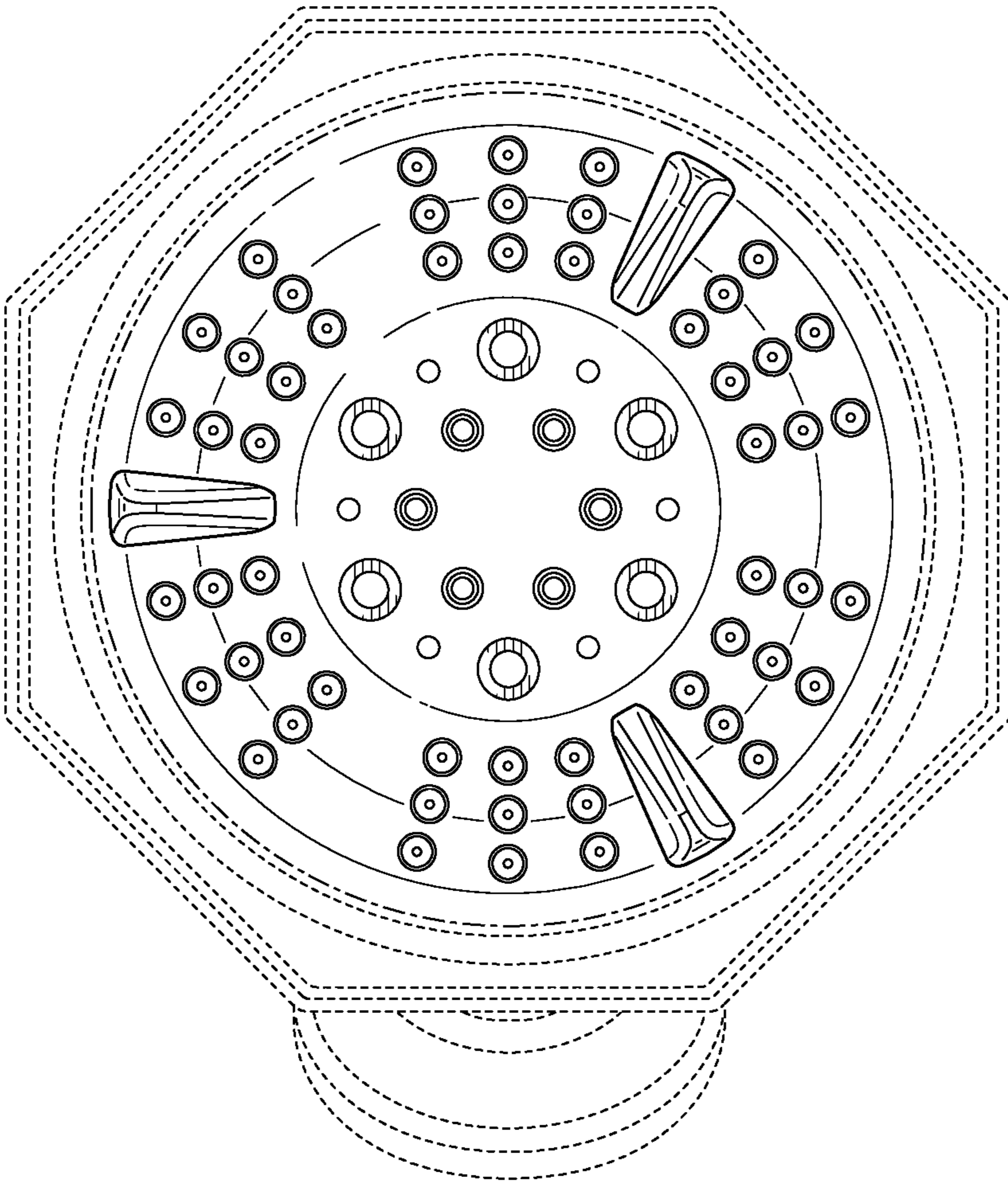


FIG. 7