



US00D735294S

(12) **United States Design Patent**  
**Reid**

(10) **Patent No.:** **US D735,294 S**  
(45) **Date of Patent:** **\*\* Jul. 28, 2015**

(54) **FILTER FOR LIQUID**

- (71) Applicant: **Roger P. Reid**, Caldwell, ID (US)
- (72) Inventor: **Roger P. Reid**, Caldwell, ID (US)
- (73) Assignee: **OMNIPURE FILTER COMPANY, INC.**, Caldwell, ID (US)
- (\*\*) Term: **14 Years**
- (21) Appl. No.: **29/500,461**
- (22) Filed: **Aug. 25, 2014**

**Related U.S. Application Data**

- (60) Division of application No. 29/451,844, filed on Apr. 9, 2013, now Pat. No. Des. 712,007, which is a continuation-in-part of application No. 29/356,845, filed on Mar. 3, 2010, now Pat. No. Des. 679,779.
- (51) **LOC (10) Cl.** ..... **23-01**
- (52) **U.S. Cl.**  
USPC ..... **D23/209**
- (58) **Field of Classification Search**  
USPC ..... D23/200, 207, 209, 210, 233–237,  
D23/244–249, 259–269, 310; 210/234–236,  
210/493.2  
See application file for complete search history.

(56) **References Cited**

**U.S. PATENT DOCUMENTS**

D93,310 S 11/1934 Camp  
1,999,913 A 4/1935 Merritt  
(Continued)

**FOREIGN PATENT DOCUMENTS**

AU 752306 C 2/2002  
DE 19827297 A1 12/1999  
(Continued)

**OTHER PUBLICATIONS**

English translation of application data for DE 199 25 297 C1.  
(Continued)

*Primary Examiner* — Robin V Webster  
(74) *Attorney, Agent, or Firm* — Pedersen and Company, PLLC; Ken J. Pedersen; Barbara S. Pedersen

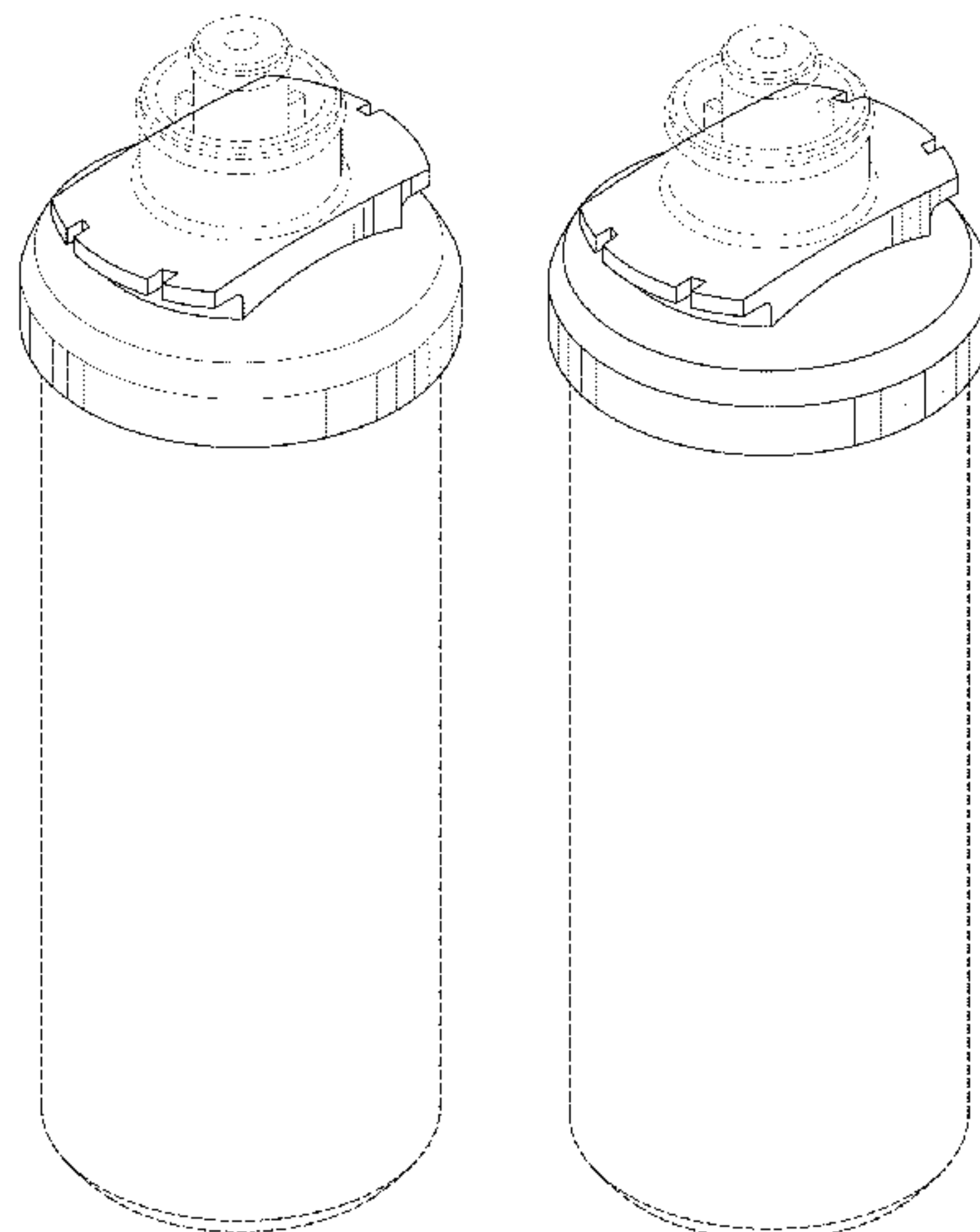
(57) **CLAIM**

The ornamental design for a filter for liquid, as shown and described.

**DESCRIPTION**

FIG. 1 is a perspective view of a first embodiment of a filter for liquid showing the design.  
FIG. 2 is a left side view thereof.  
FIG. 3 is a front view thereof.  
FIG. 4 is a right side view thereof.  
FIG. 5 is a rear view thereof.  
FIG. 6 is a top view thereof.  
FIG. 7 is a bottom view thereof.  
FIG. 8 is a perspective view of a second embodiment of a filter for liquid showing the design.  
FIG. 9 is a left side view thereof.  
FIG. 10 is a front view thereof.  
FIG. 11 is a right side view thereof.  
FIG. 12 is a rear view thereof.  
FIG. 13 is a top view thereof.  
FIG. 14 is a bottom view thereof.  
FIG. 15 is a perspective view of a third embodiment of a filter for liquid showing the design.  
FIG. 16 is a left side view thereof.  
FIG. 17 is a front view thereof.  
FIG. 18 is a right side view thereof.  
FIG. 19 is a rear view thereof.  
FIG. 20 is a top view thereof; and,  
FIG. 21 is a bottom view thereof.  
The broken line areas of the figures show environmental matter and form no part of the claimed design.

**1 Claim, 9 Drawing Sheets**



(56)

References Cited

U.S. PATENT DOCUMENTS

2,568,196 A 9/1951 Kennedy  
 2,991,885 A 7/1961 Gutkowski  
 3,107,601 A 10/1963 Longmire  
 3,287,031 A 11/1966 Simmons  
 3,397,135 A 8/1968 Otto  
 3,685,539 A 8/1972 Warren  
 3,753,495 A 8/1973 Bjork  
 3,950,251 A 4/1976 Hiller  
 4,211,439 A 7/1980 Moldestad  
 4,267,042 A 5/1981 Hoffmann  
 D288,348 S 2/1987 Maddock  
 4,857,191 A 8/1989 Wolf  
 4,877,521 A 10/1989 Petrucci et al.  
 4,948,505 A 8/1990 Petrucci et al.  
 4,956,086 A 9/1990 Thomsen et al.  
 5,017,285 A 5/1991 Janik et al.  
 5,035,797 A 7/1991 Janik  
 5,092,999 A 3/1992 Valenzuela et al.  
 5,108,598 A 4/1992 Posner  
 5,114,572 A 5/1992 Hunter et al.  
 RE34,031 E 8/1992 Thomsen et al.  
 RE34,050 E 9/1992 Thomsen et al.  
 5,186,829 A 2/1993 Janik  
 5,236,579 A 8/1993 Janik et al.  
 5,342,518 A 8/1994 Posner et al.  
 D356,625 S \* 3/1995 Petrucci et al. .... D23/209  
 5,397,462 A 3/1995 Higashijima et al.  
 5,486,288 A 1/1996 Stanford et al.  
 5,651,887 A 7/1997 Posner et al.  
 5,766,463 A 6/1998 Janik et al.  
 5,837,137 A 11/1998 Janik  
 5,925,245 A 7/1999 Bradford et al.  
 D412,551 S \* 8/1999 Smith et al. .... D23/209  
 6,001,249 A 12/1999 Bailey et al.  
 6,048,455 A 4/2000 Janik  
 6,068,770 A 5/2000 Niermeyer et al.  
 6,080,313 A 6/2000 Kelada  
 6,187,188 B1 2/2001 Janik et al.  
 6,277,277 B1 8/2001 Jacobi  
 6,348,149 B1 2/2002 Jenkins  
 6,458,269 B1 10/2002 Bassett et al.  
 6,579,455 B1 6/2003 Muzik et al.  
 6,649,056 B2 11/2003 Fritze  
 6,695,891 B2 2/2004 Reid  
 6,776,906 B2 8/2004 Reid  
 6,843,912 B2 1/2005 Chaney  
 6,926,826 B2 8/2005 Reid  
 6,977,006 B2 12/2005 Reid  
 7,138,052 B2 11/2006 Reid

7,172,693 B2 2/2007 Reid  
 7,186,337 B2 3/2007 Reid  
 D548,307 S \* 8/2007 Reynolds et al. .... D23/209  
 D570,951 S 6/2008 Morita et al.  
 7,413,668 B2 8/2008 Reid  
 7,476,314 B2 1/2009 Reid  
 7,476,315 B2 1/2009 Reid  
 D599,880 S 9/2009 Rampen et al.  
 D614,257 S 4/2010 Kojima  
 D638,516 S \* 5/2011 Greenway-Balnar  
 et al. .... D23/209  
 D646,751 S \* 10/2011 Salvador et al. .... D23/209  
 D655,781 S \* 3/2012 Salvador et al. .... D23/209  
 D656,578 S 3/2012 Sherman et al.  
 D656,579 S 3/2012 Sherman et al.  
 8,167,966 B2 \* 5/2012 Amirkhanian et al. .... 55/357  
 D679,779 S 4/2013 Reid  
 8,562,830 B2 10/2013 Reid  
 D712,007 S 8/2014 Reid  
 D717,395 S \* 11/2014 Neto ..... D23/209  
 2004/0222145 A1 11/2004 Onoue et al.  
 2011/0203985 A1 8/2011 Reid  
 2014/0175000 A1 6/2014 Reid

FOREIGN PATENT DOCUMENTS

DE 19925297 C1 7/2000  
 DE 19960600 A1 6/2001  
 EP 0231862 A2 8/1987  
 EP 0269054 A2 6/1988  
 EP 0278771 A1 8/1988  
 EP 0580501 B1 1/1994  
 EP 0887100 A1 12/1998  
 GB 771968 A 4/1957  
 KR 1999-0086940 A 12/1999  
 WO 94/02407 A1 2/1994  
 WO 97/45362 A1 12/1997  
 WO 01/64312 A1 9/2001  
 WO 01/80967 A1 11/2001  
 WO 01/83079 A1 11/2001  
 WO 02/13944 A2 2/2002  
 WO 03/031020 A1 4/2003  
 WO 03/072220 A1 9/2003  
 WO 2004/014519 A3 2/2004

OTHER PUBLICATIONS

PCT International Search Report for PCT/US01/25307, mailed May 22, 2002, Applicant: REID.  
 PCT International Preliminary Examination Report for PCT/US01/25307, mailed Jun. 6, 2003, Applicant: REID.

\* cited by examiner

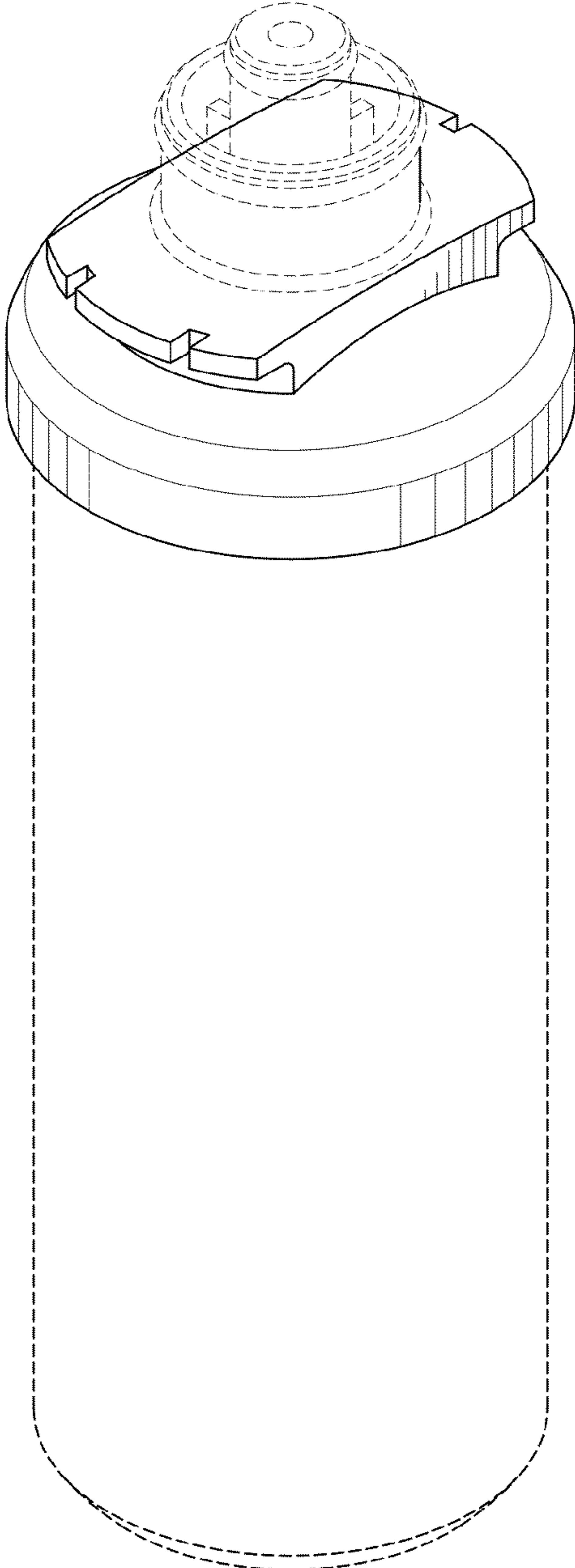


Fig. 1

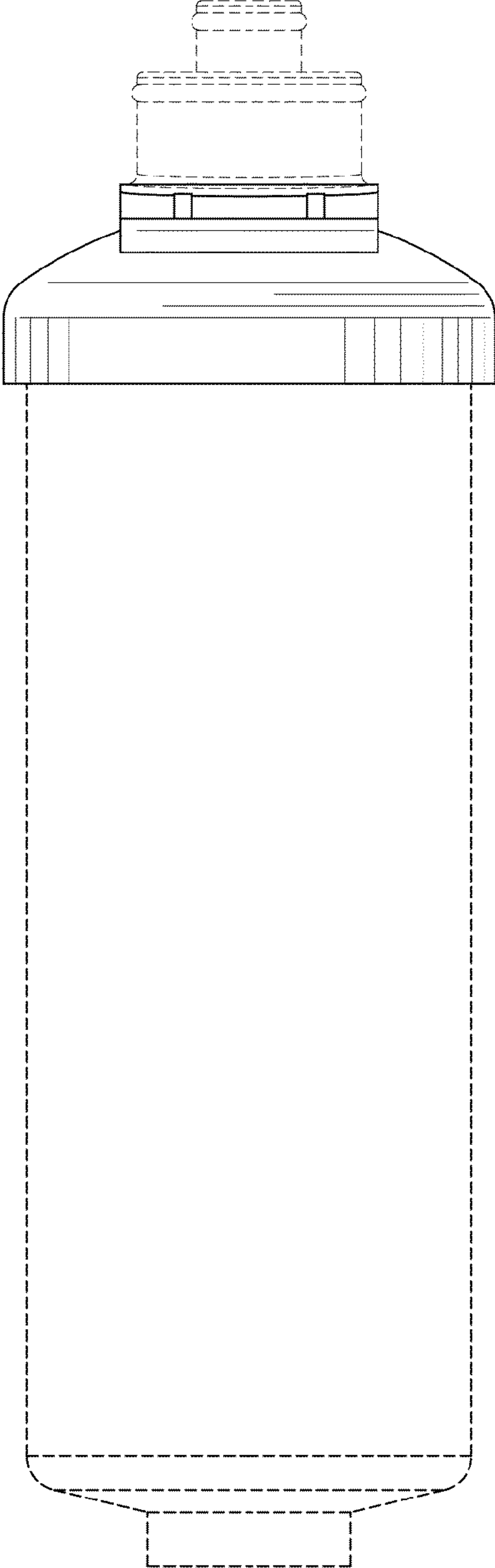


Fig. 2

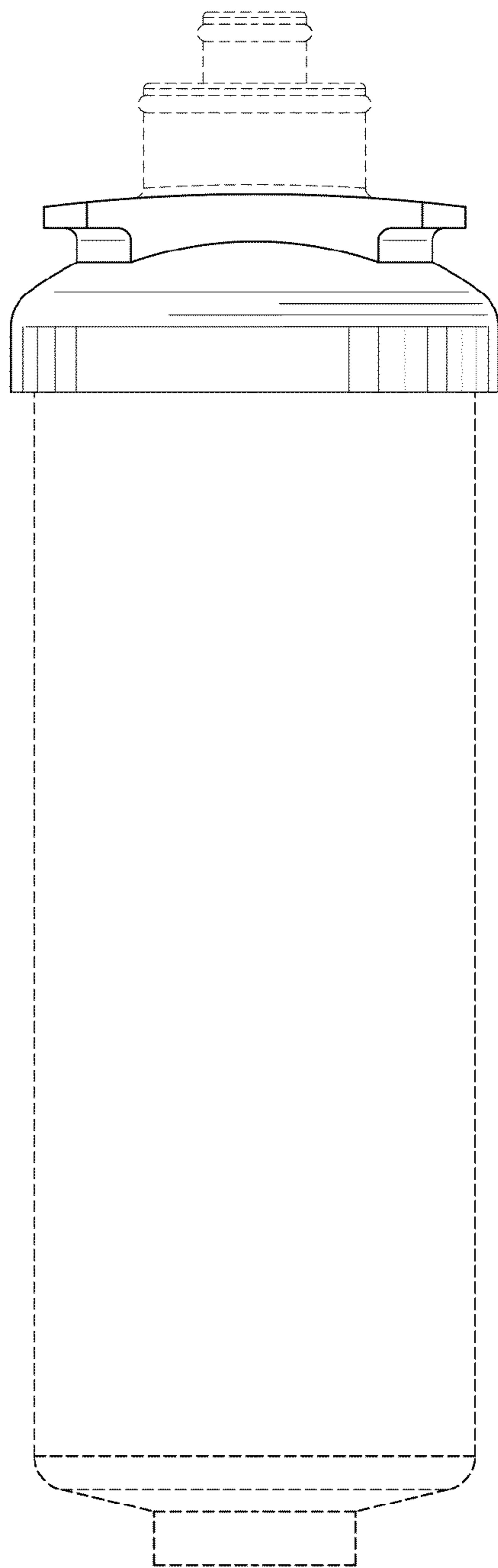


Fig. 3

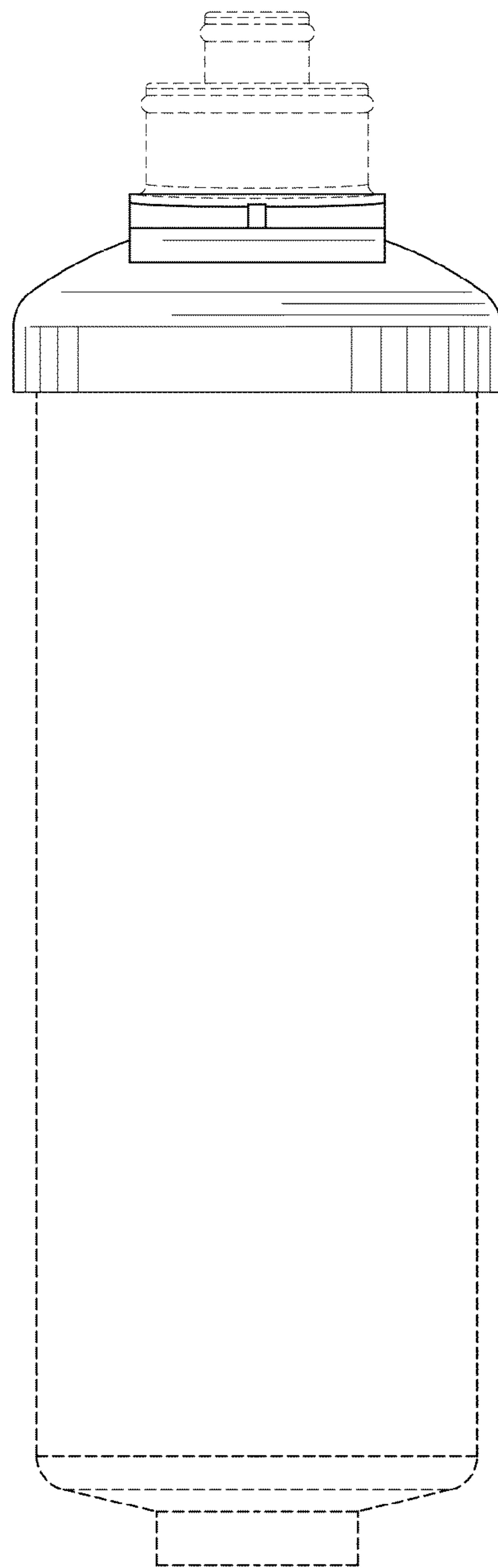


Fig. 4



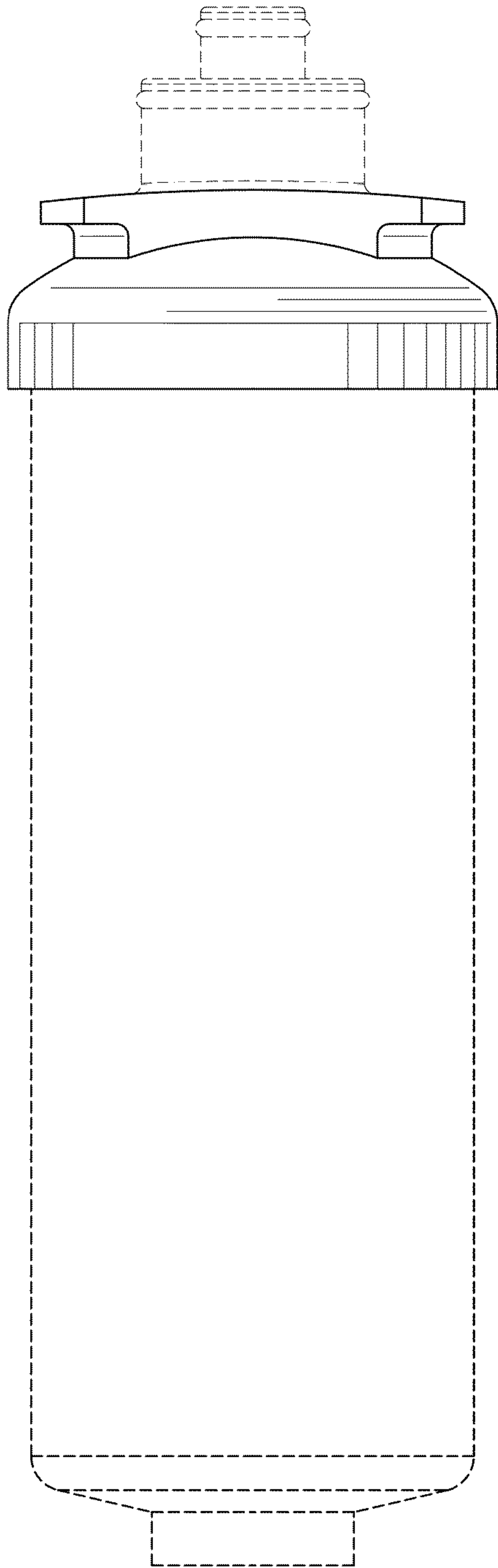


Fig. 5

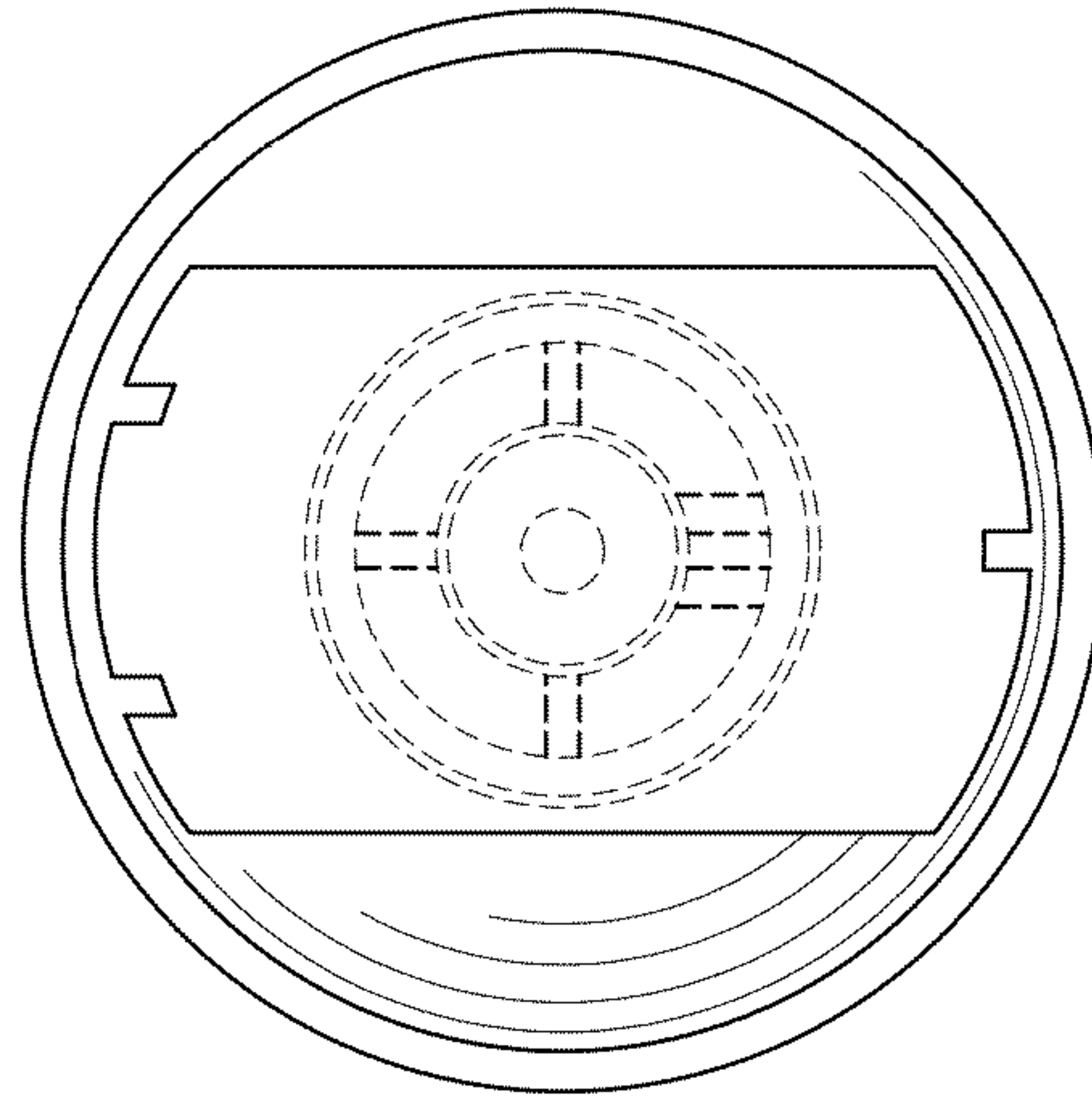


Fig. 6

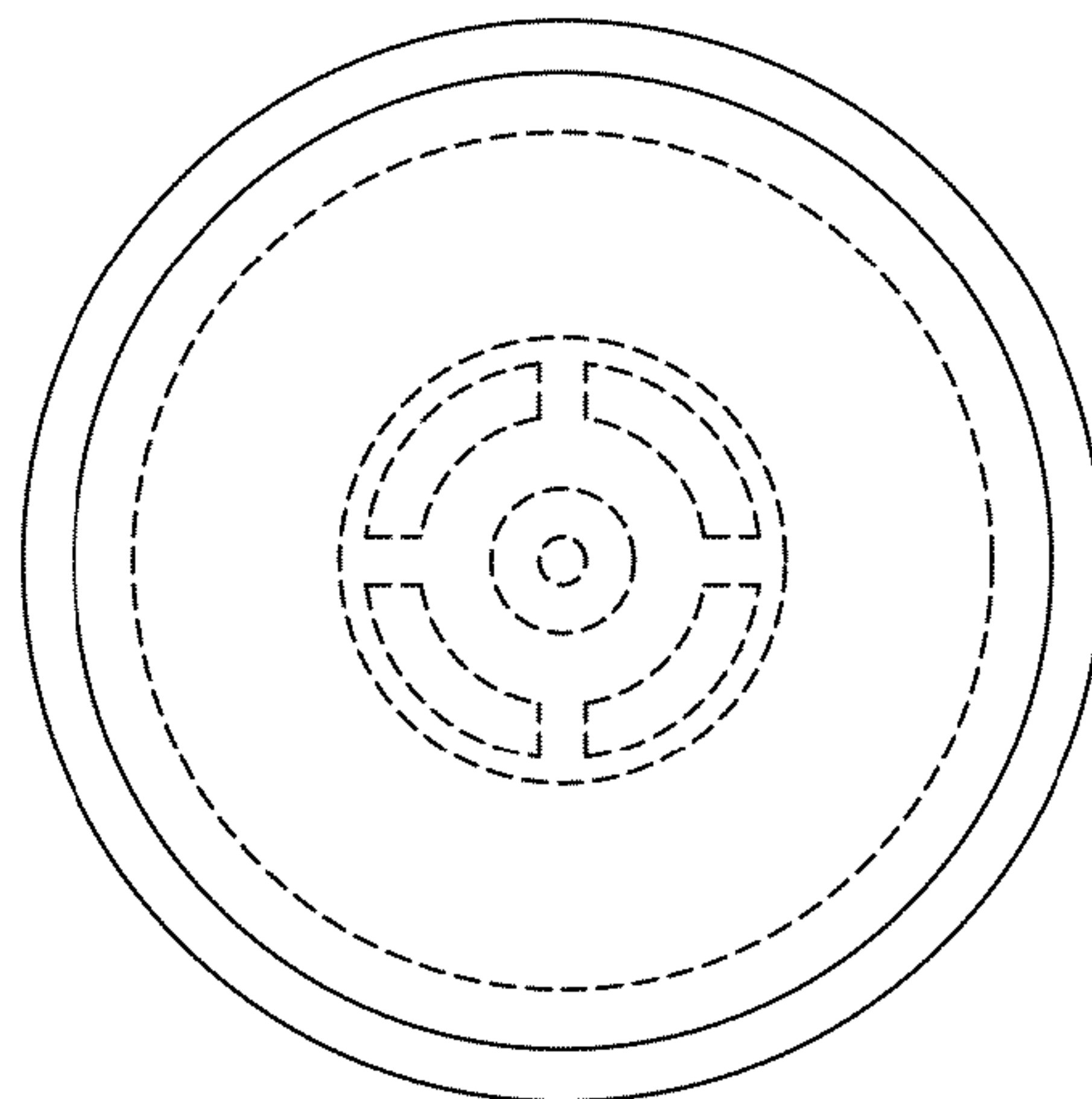


Fig. 7

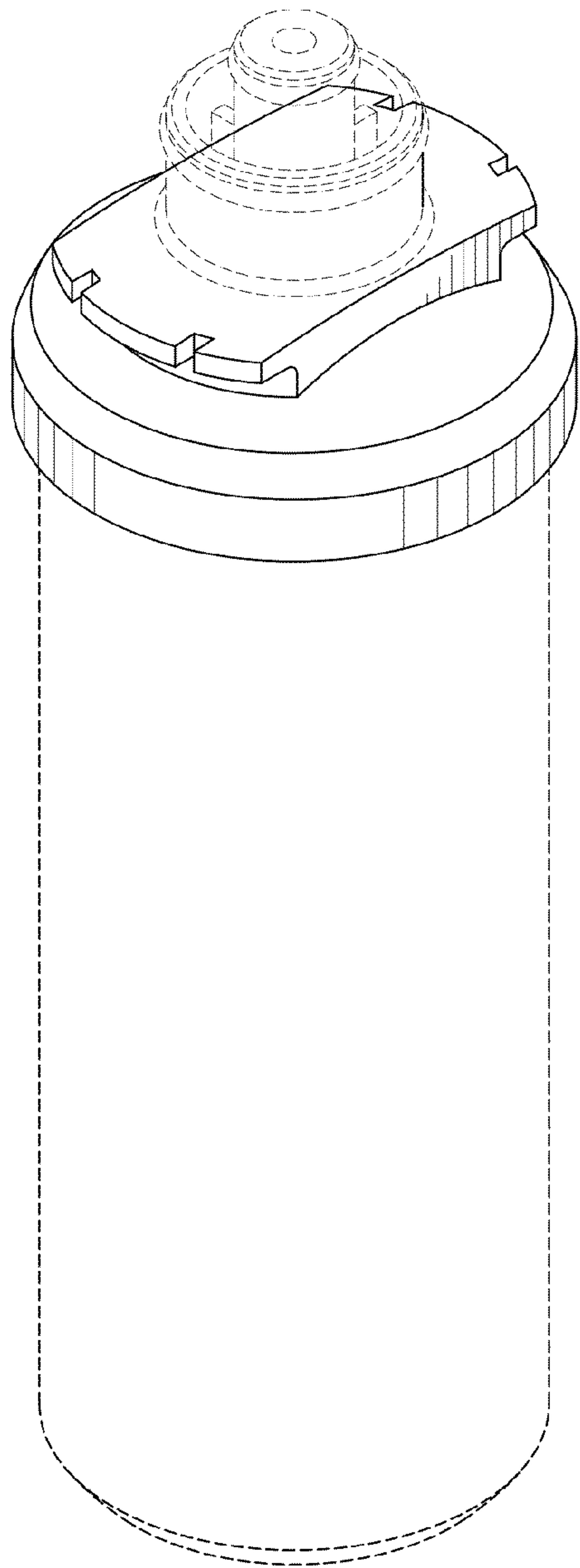


Fig. 8

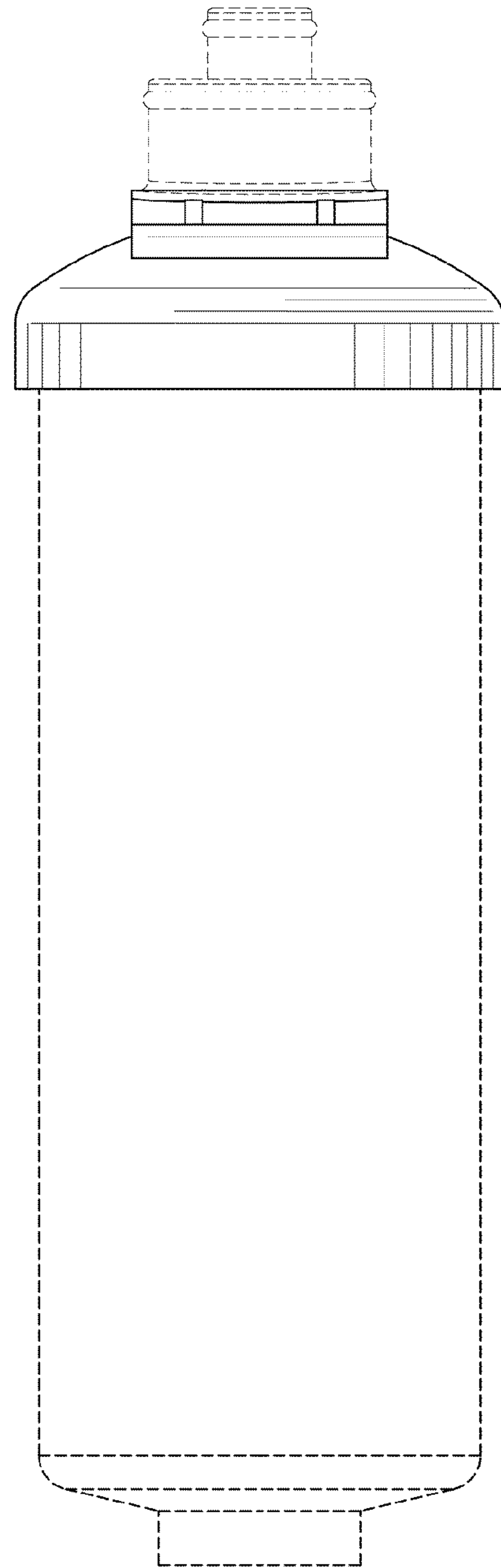


Fig. 9

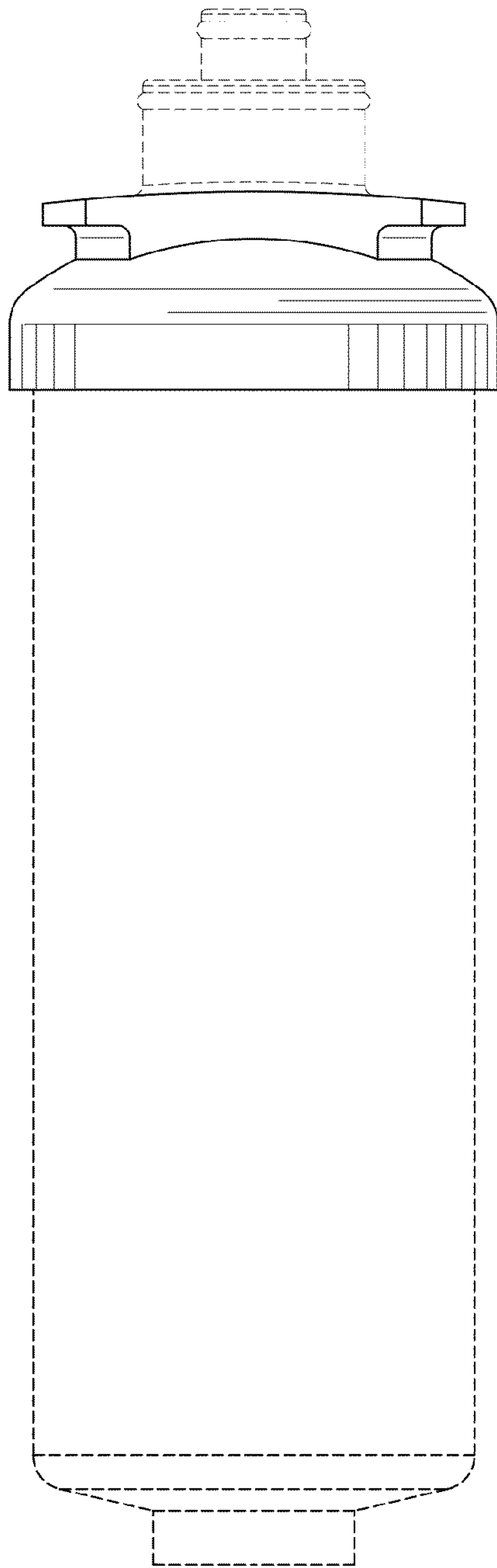


Fig. 10

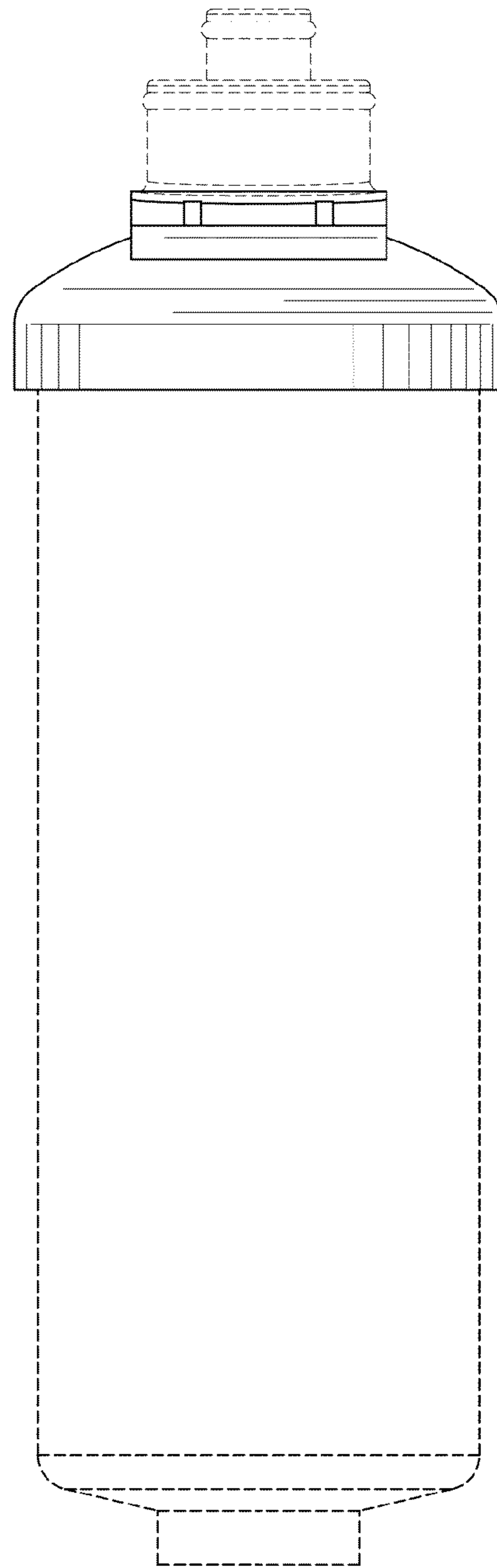


Fig. 11

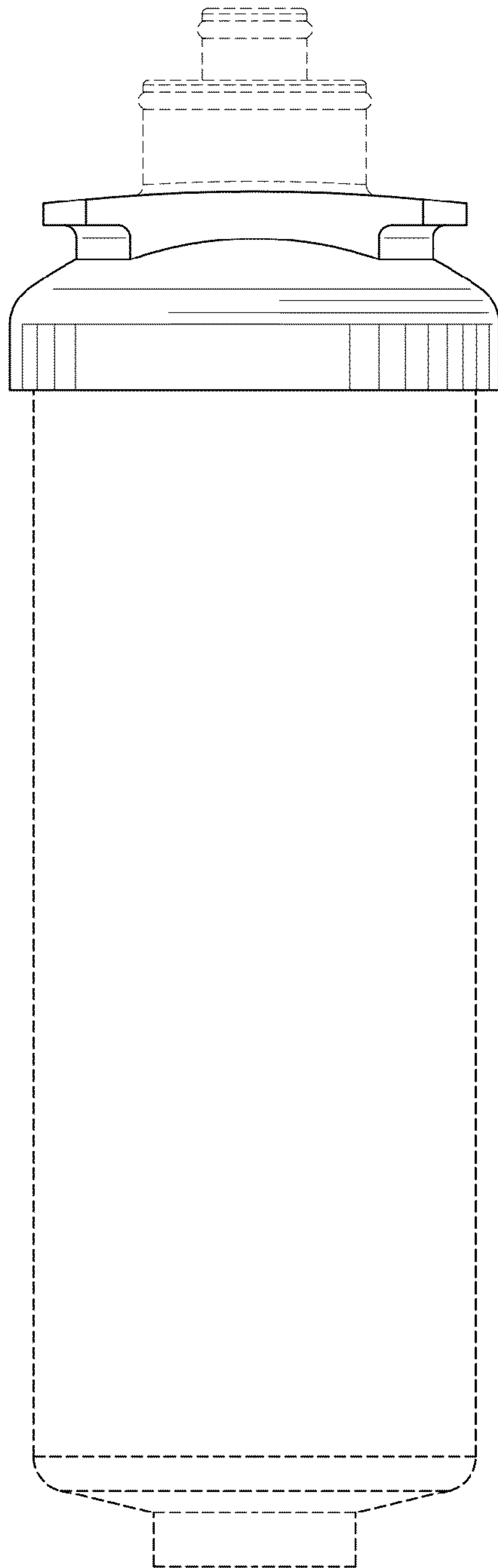


Fig. 12

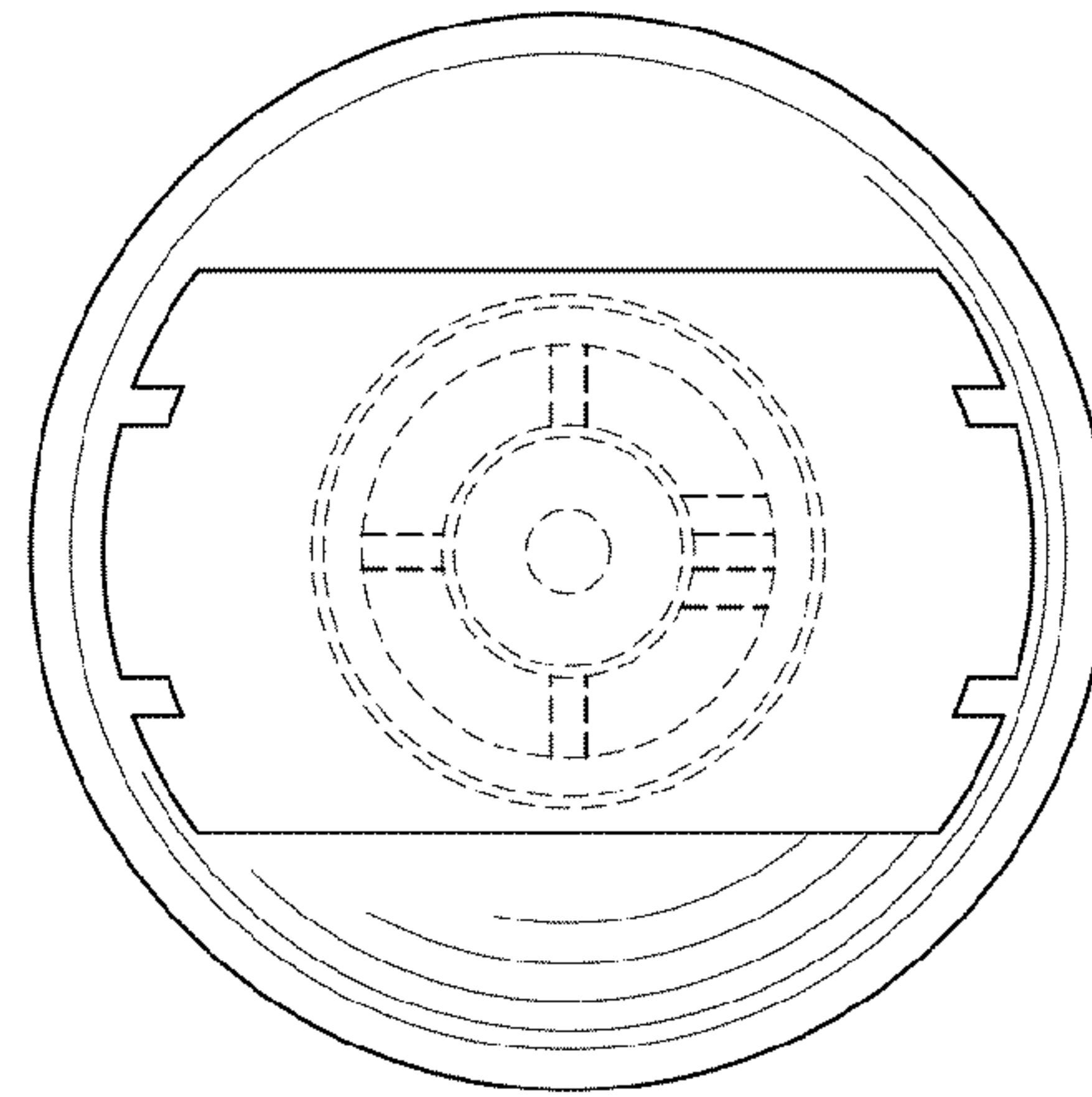


Fig. 13

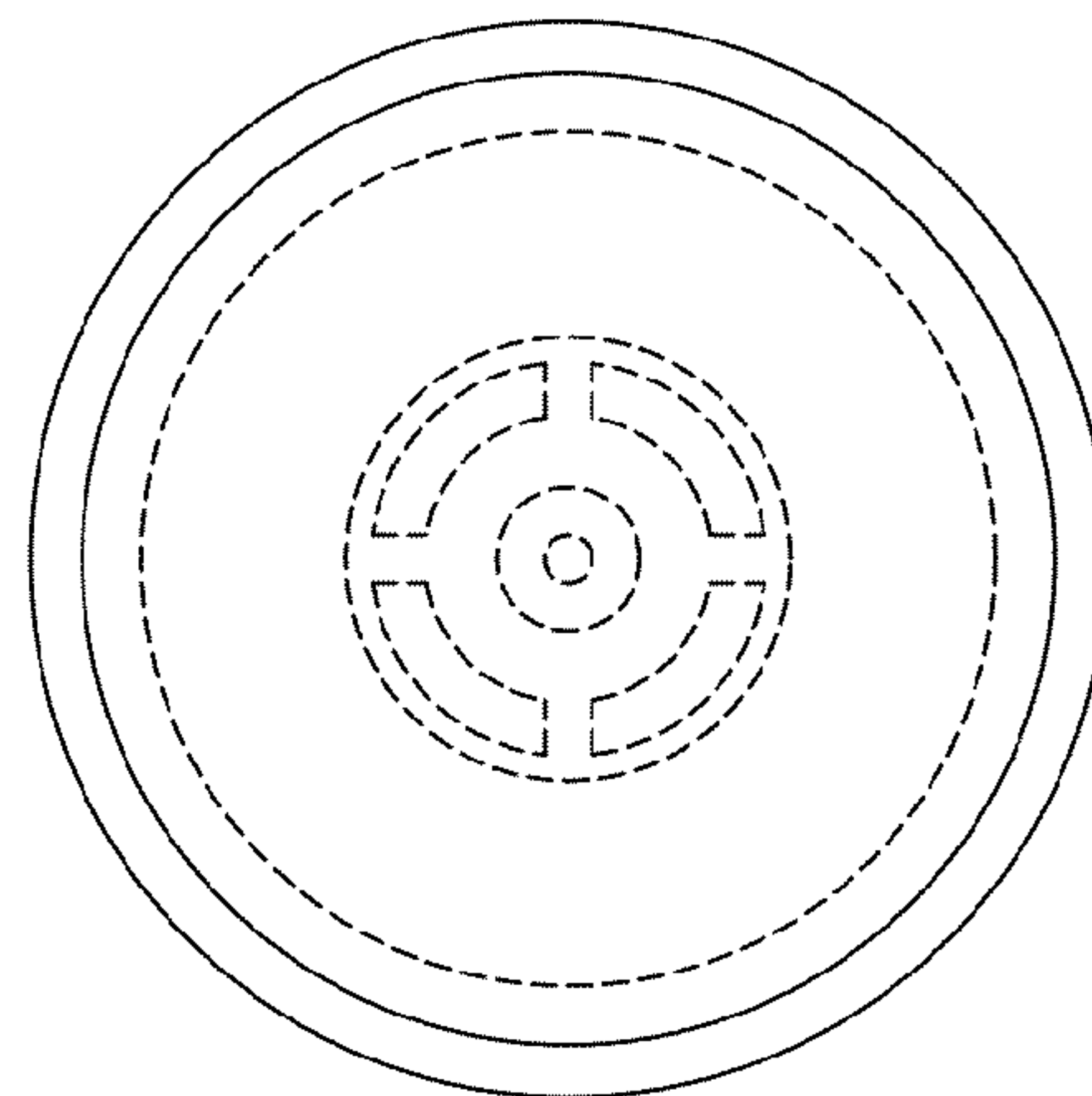
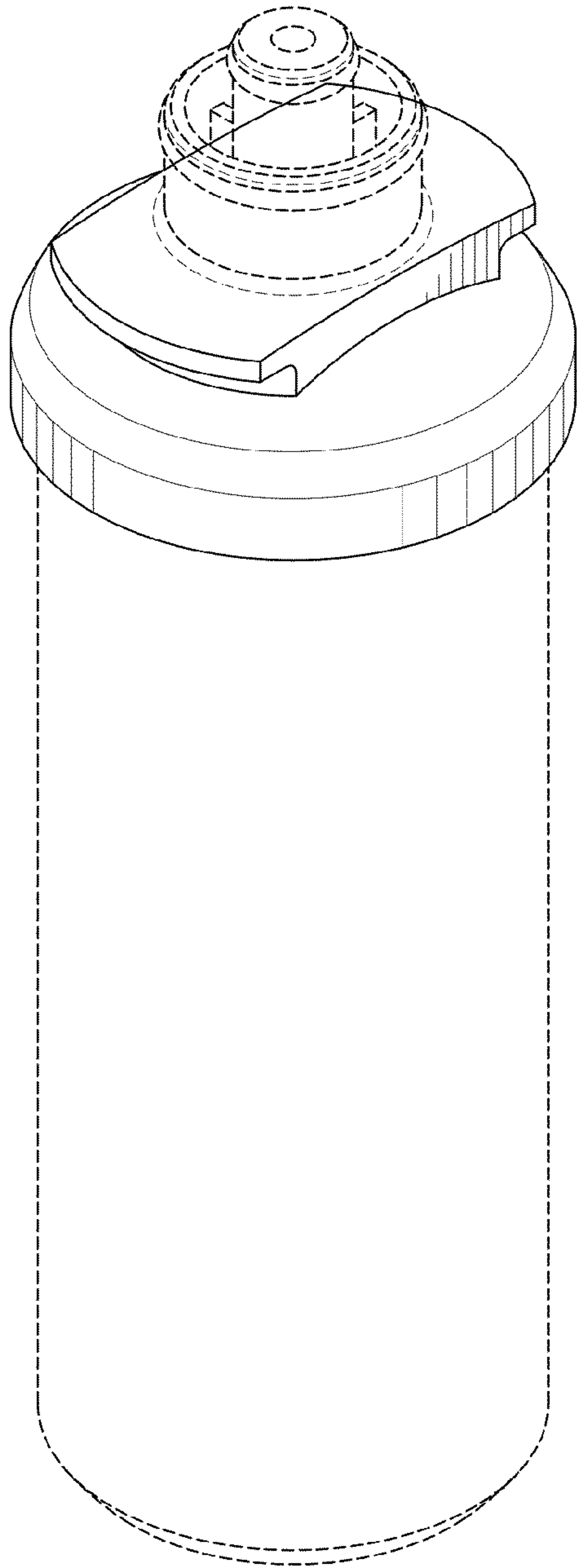
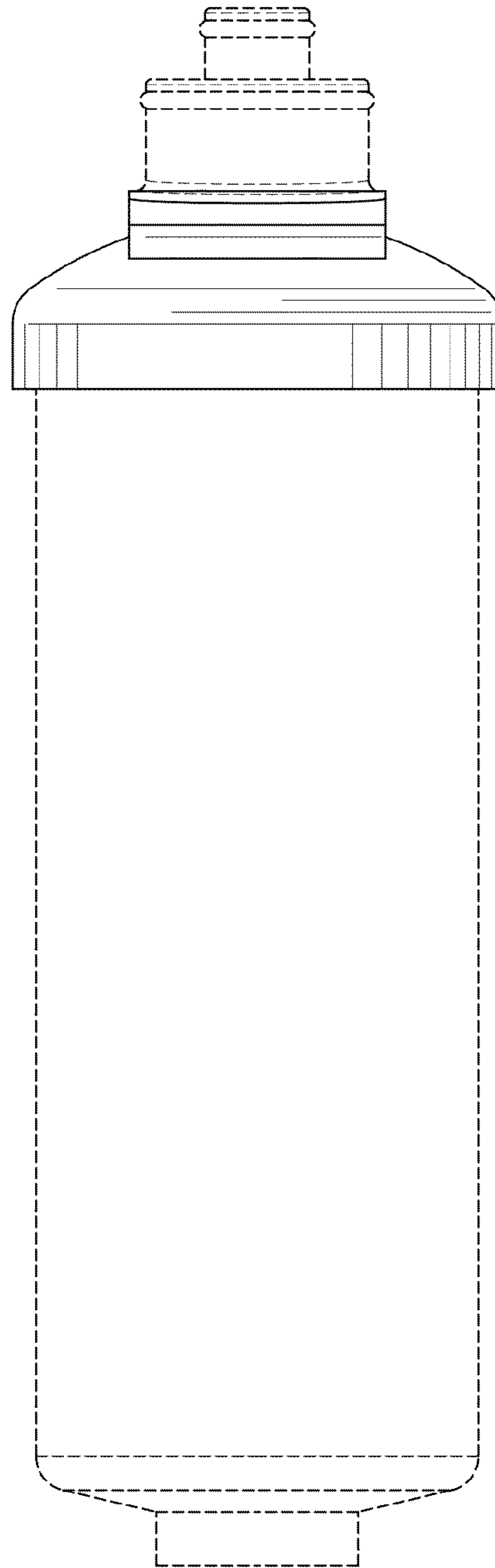


Fig. 14





**Fig. 15**



**Fig. 16**

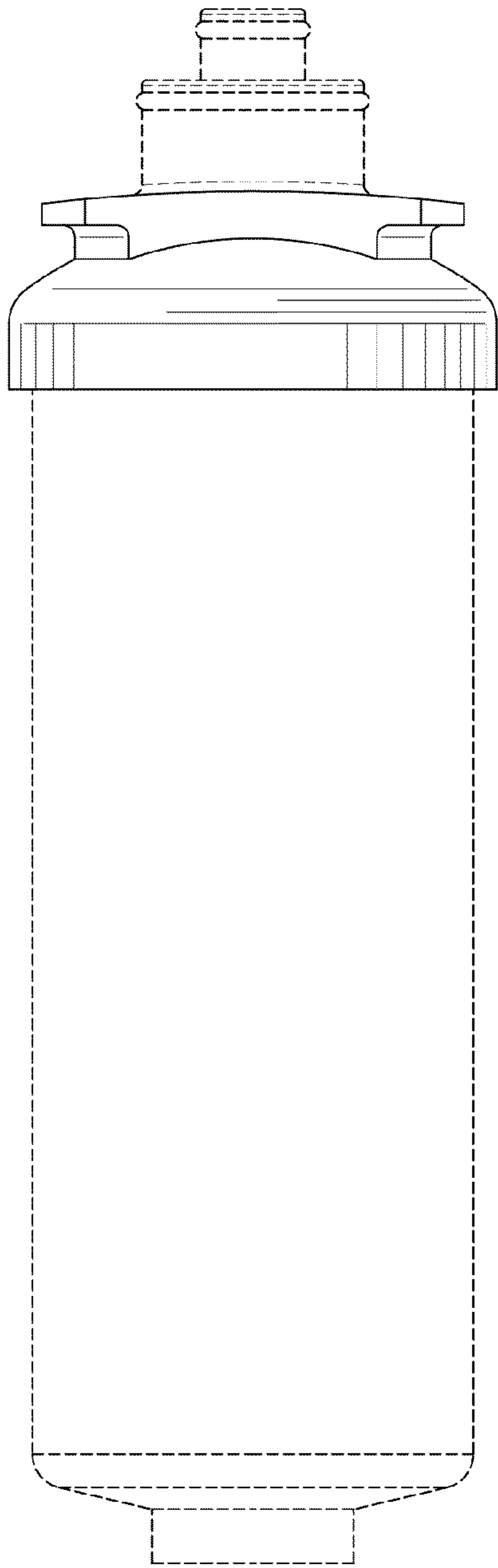


Fig. 17

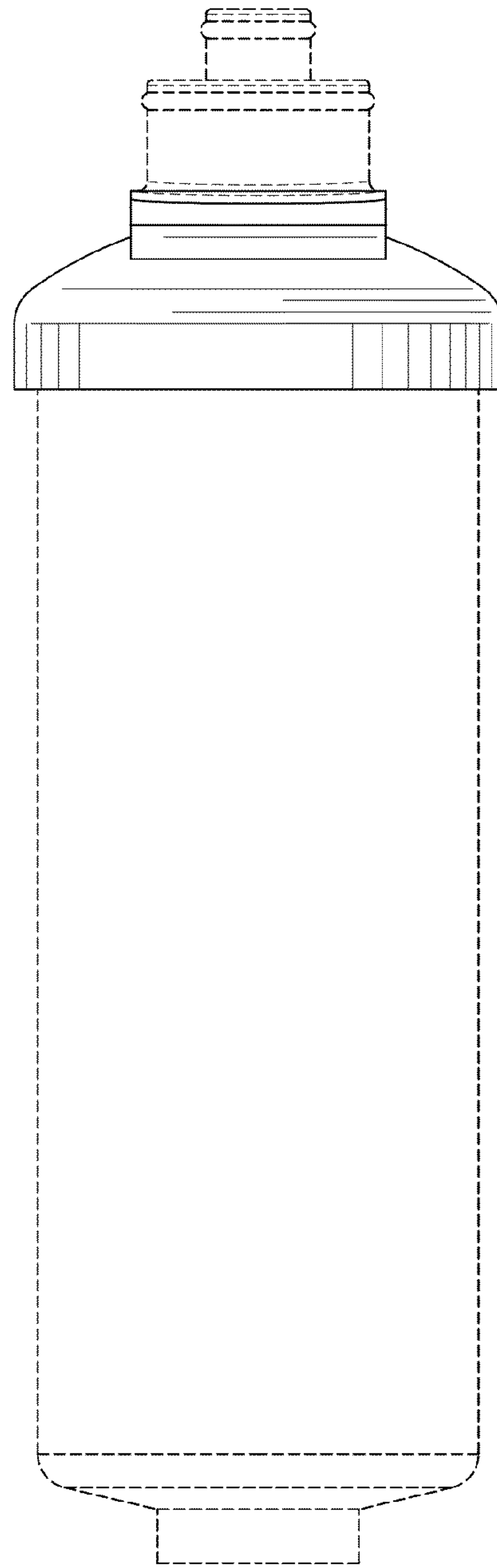


Fig. 18

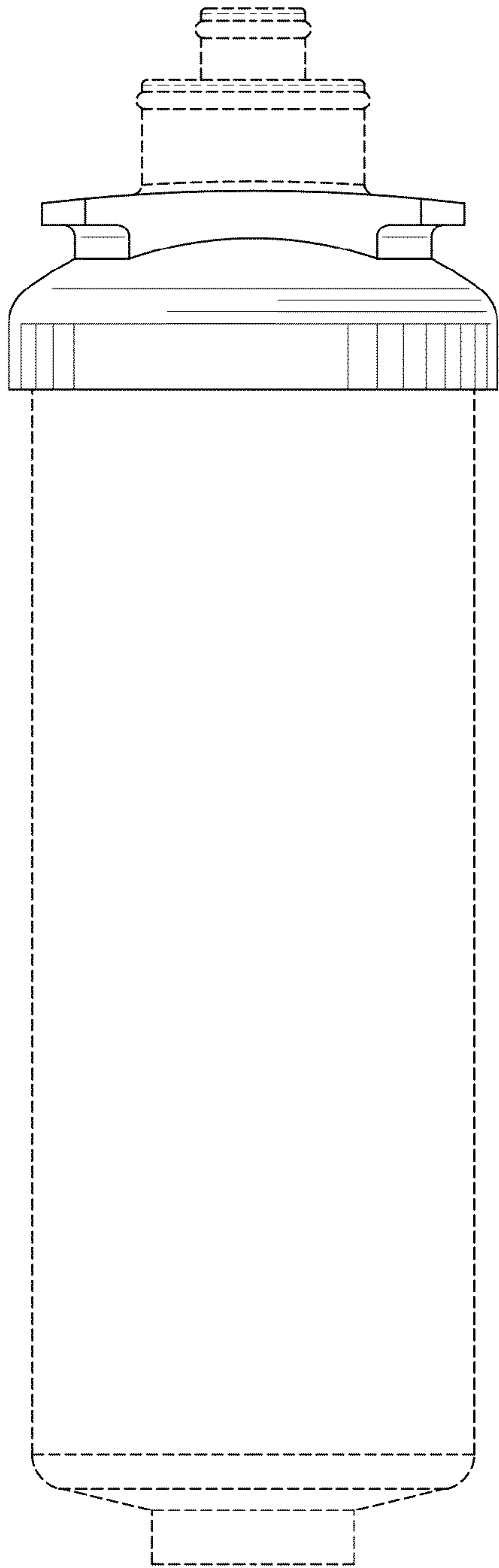


Fig. 19

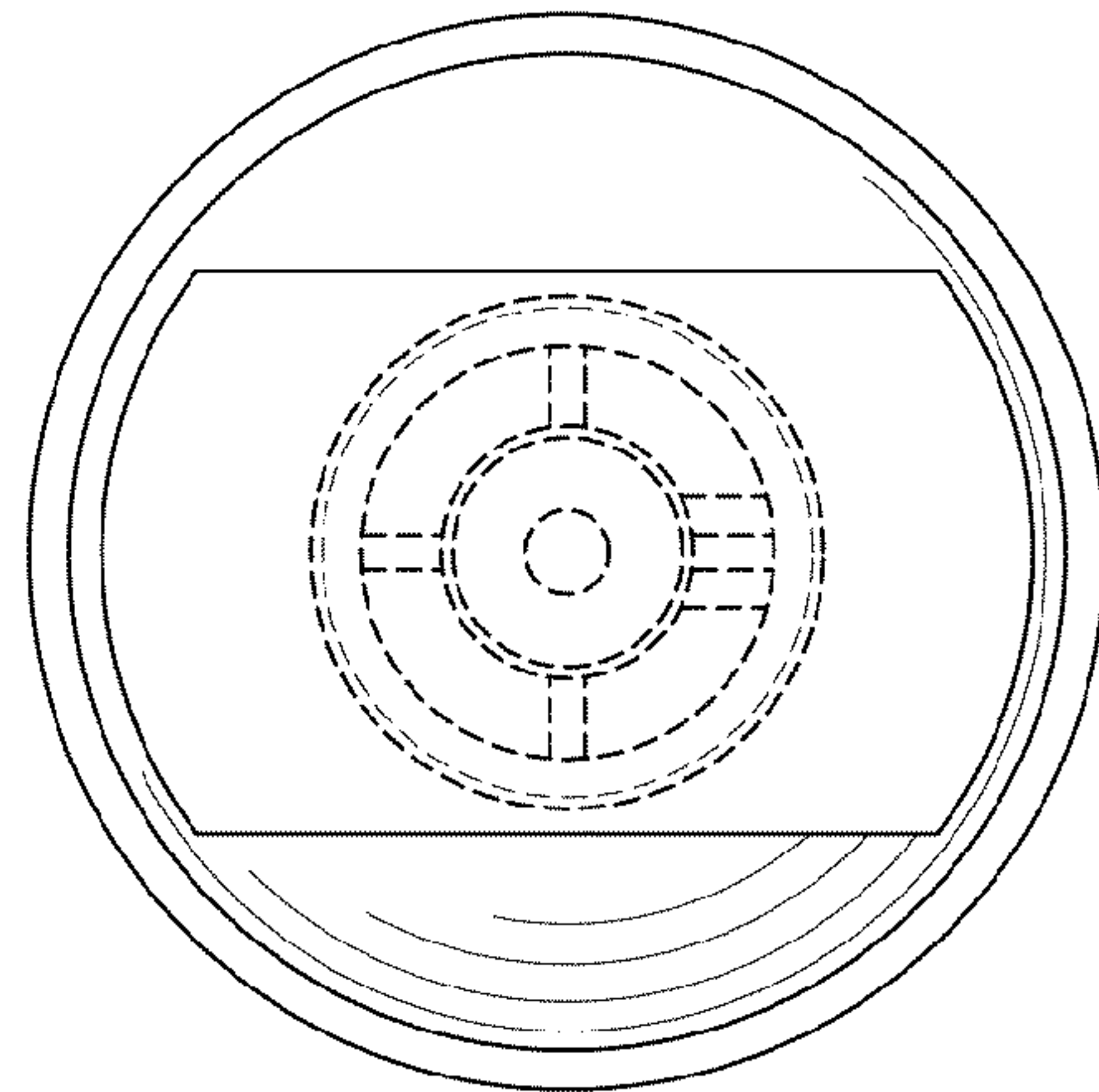


Fig. 20

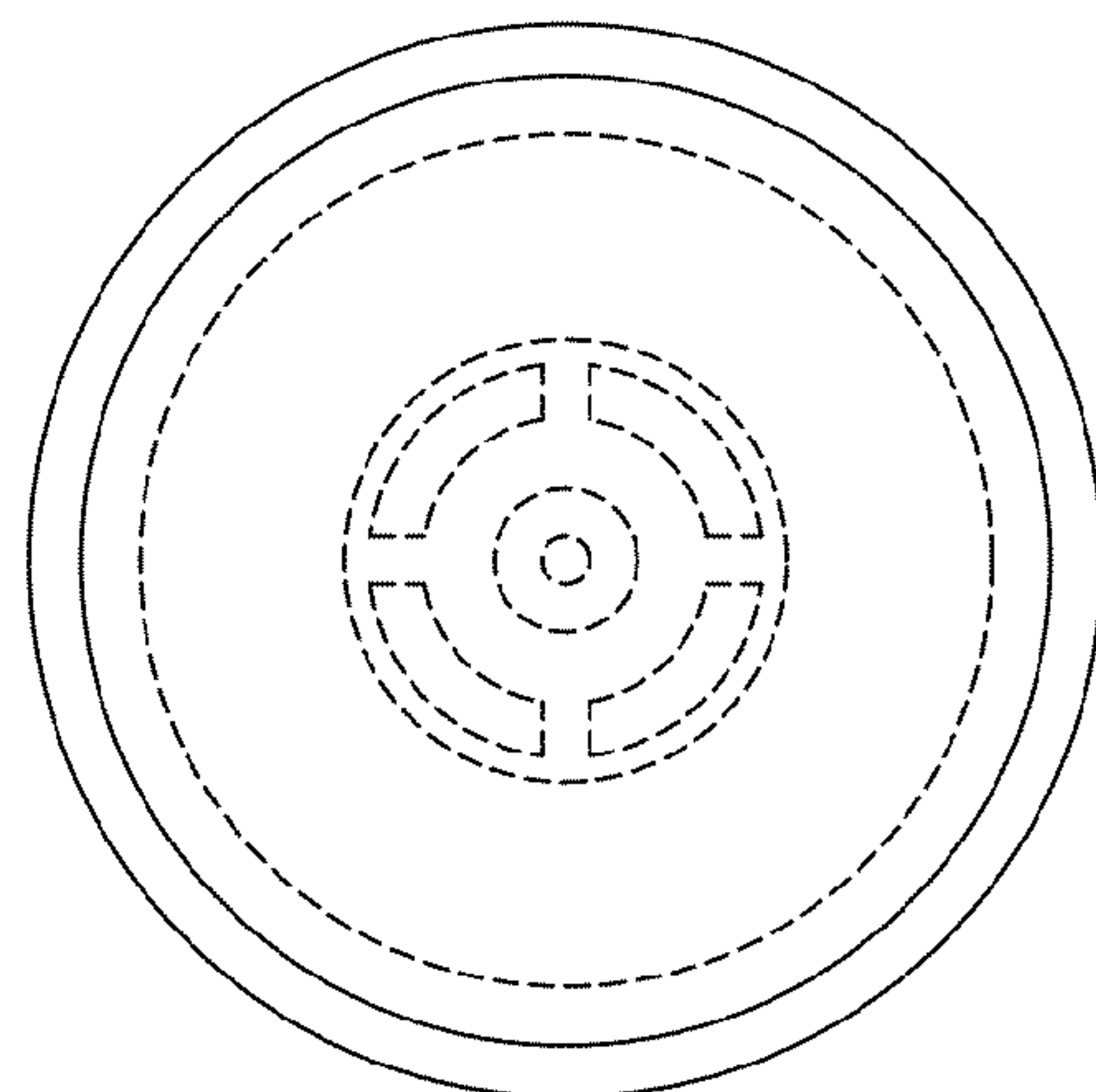


Fig. 21