



US00D735293S

(12) **United States Design Patent**
Schwartz et al.

(10) **Patent No.:** **US D735,293 S**
(45) **Date of Patent:** **** Jul. 28, 2015**

(54) **FILTER ELEMENT**

(71) Applicant: **Cummins Filtration IP, Inc.**, Columbus, IN (US)

(72) Inventors: **Scott W. Schwartz**, Cottage Grove, WI (US); **Robert A. Bannister**, Stoughton, WI (US); **Joel D. Roltgen**, DeForest, WI (US); **Jeffrey A. Rech**, Verona, WI (US); **Stephen L. Fallon**, Oregon, WI (US); **Gregory K. Loken**, Stoughton, WI (US)

(73) Assignee: **Cummins Filtration IP, Inc.**, Columbus, IN (US)

(**) Term: **14 Years**

(21) Appl. No.: **29/490,215**

(22) Filed: **May 7, 2014**

(51) **LOC (10) Cl.** **23-01**

(52) **U.S. Cl.**
USPC **D23/209**

(58) **Field of Classification Search**
USPC D23/207, 209; 210/435, 232, 493.5, 210/497.01

CPC B01D 2201/52; B01D 35/30
See application file for complete search history.

(56) **References Cited**

U.S. PATENT DOCUMENTS

4,138,337 A * 2/1979 Smith 210/238
4,878,930 A * 11/1989 Manniso et al. 55/493

D414,544 S * 9/1999 Ward et al. D23/209
6,156,198 A * 12/2000 Bartels 210/315
D470,216 S * 2/2003 Gustafson et al. D23/209
7,387,726 B2 * 6/2008 Wolf et al. 210/232
D682,390 S * 5/2013 Harder D23/209
8,741,138 B2 * 6/2014 Oelschlaegel 210/232

OTHER PUBLICATIONS

U.S. Appl. No. 61/989,974, filed May 7, 2014, Cummins Filtration IP, Inc.

* cited by examiner

Primary Examiner — Robin V Webster

(74) *Attorney, Agent, or Firm* — Foley & Lardner LLP

(57) **CLAIM**

We claim the ornamental design for a filter element, as shown and described.

DESCRIPTION

FIG. 1 is a first isometric view of a filter element according to a first embodiment;

FIG. 2 is a second isometric view thereof;

FIG. 3 is a front elevational view thereof;

FIG. 4 is a rear elevational view thereof;

FIG. 5 is a left side elevational view thereof;

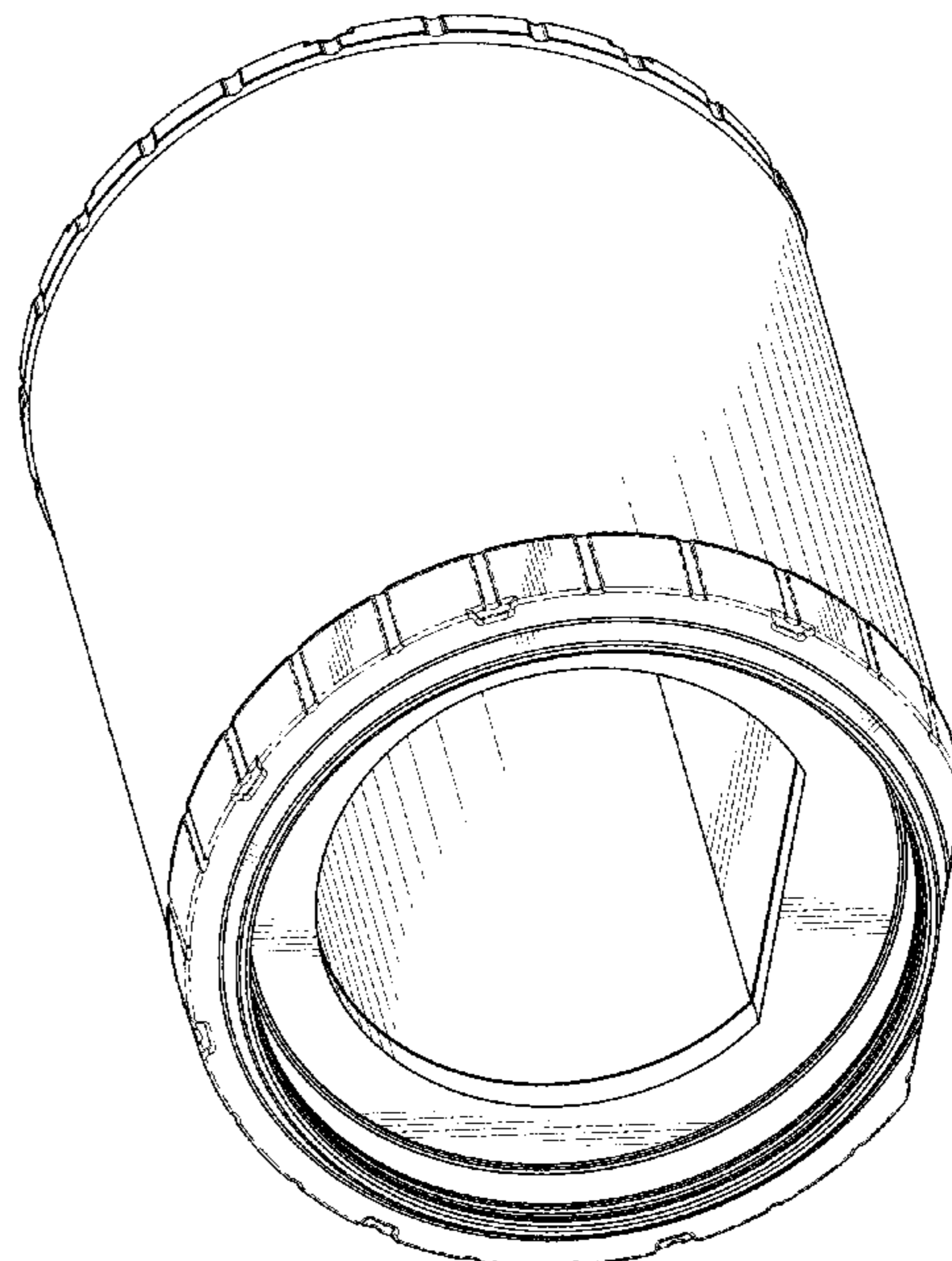
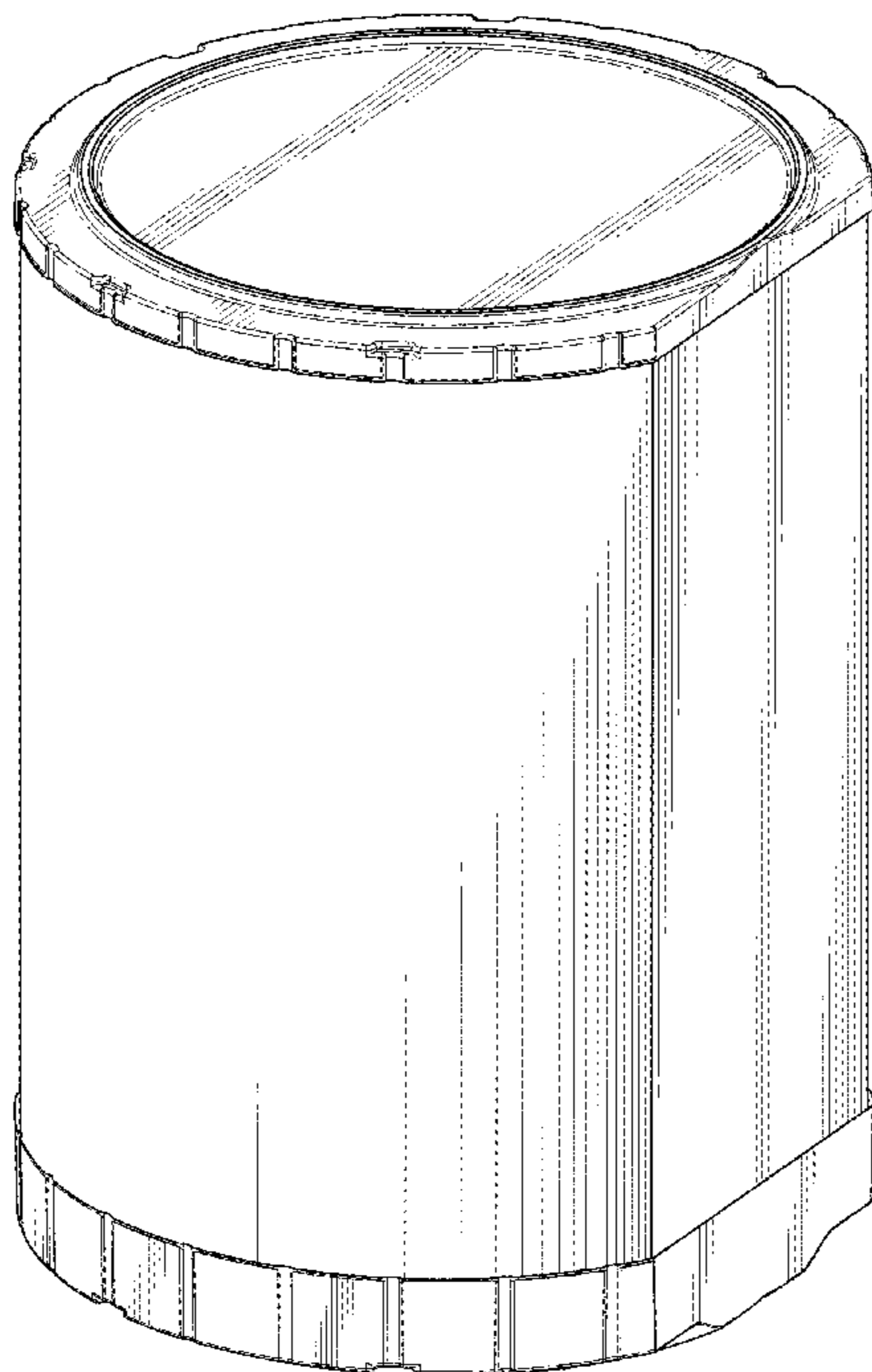
FIG. 6 is a right side elevational view thereof;

FIG. 7 is a top plan view thereof; and,

FIG. 8 is a bottom plan view thereof.

The ornamental design which is claimed is shown in solid lines in the drawings. The broken lines in the drawings are for illustrative purposes only and form no part of the claimed design.

1 Claim, 8 Drawing Sheets



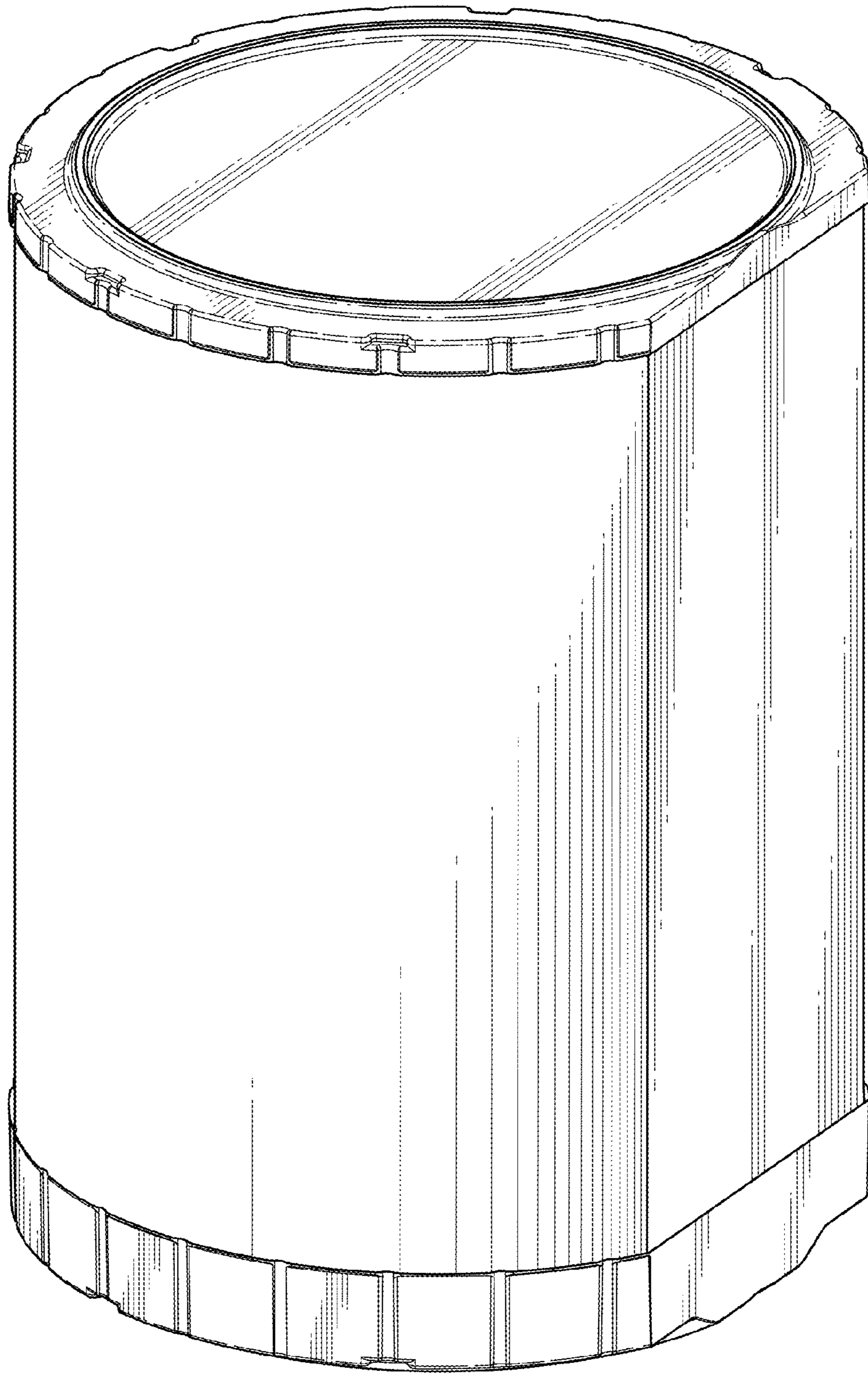


FIG. 1

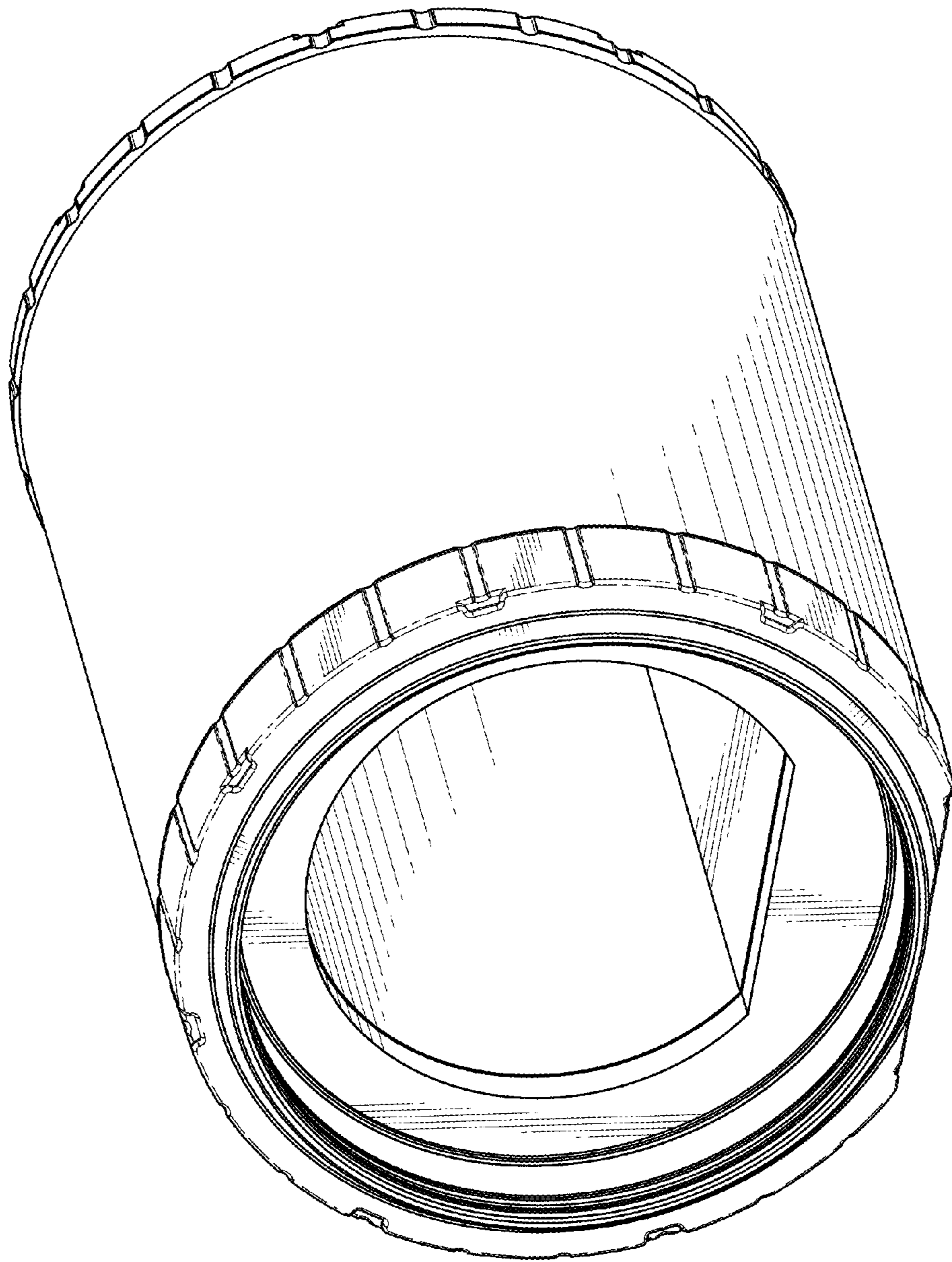


FIG. 2

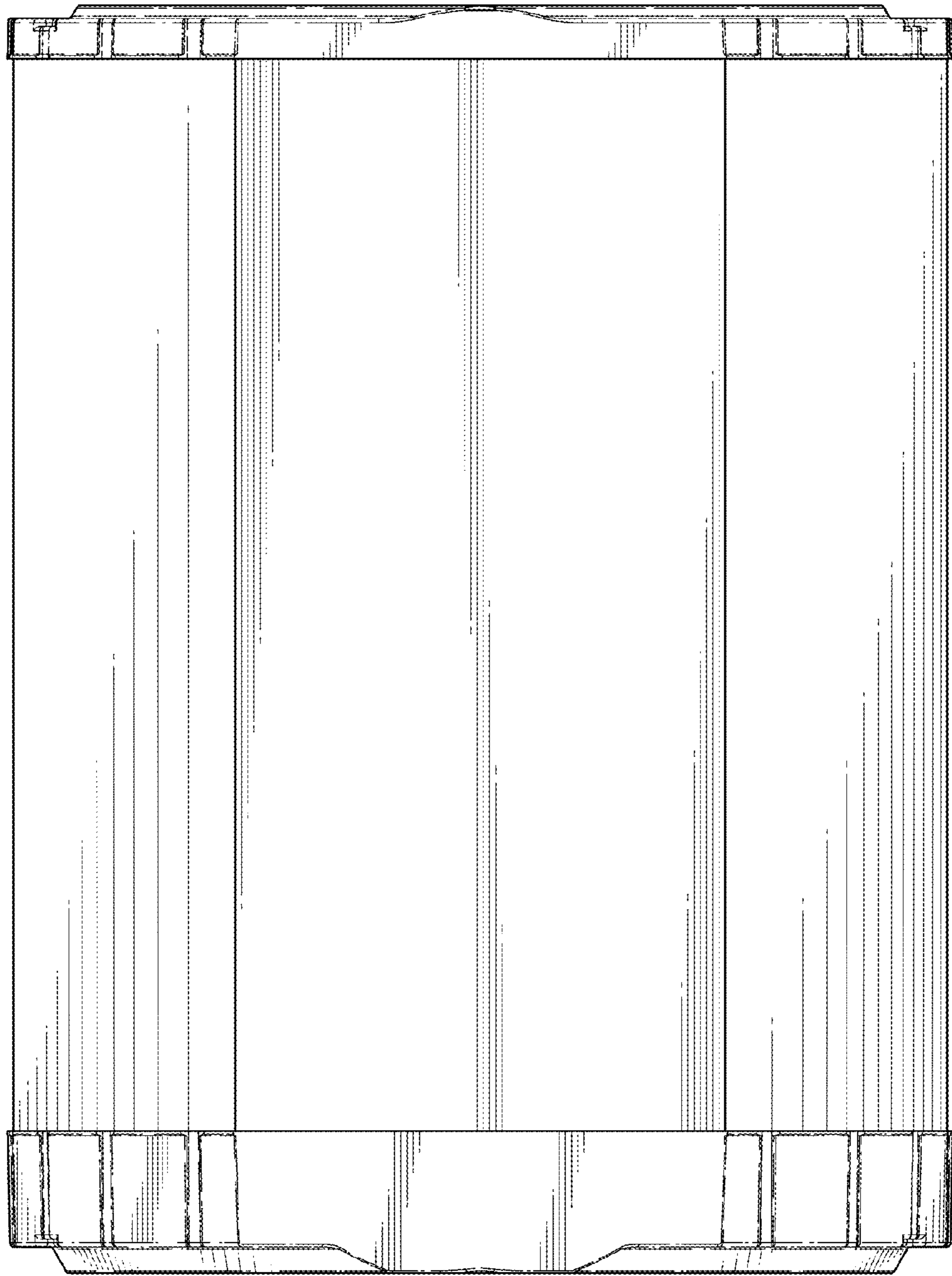


FIG. 3

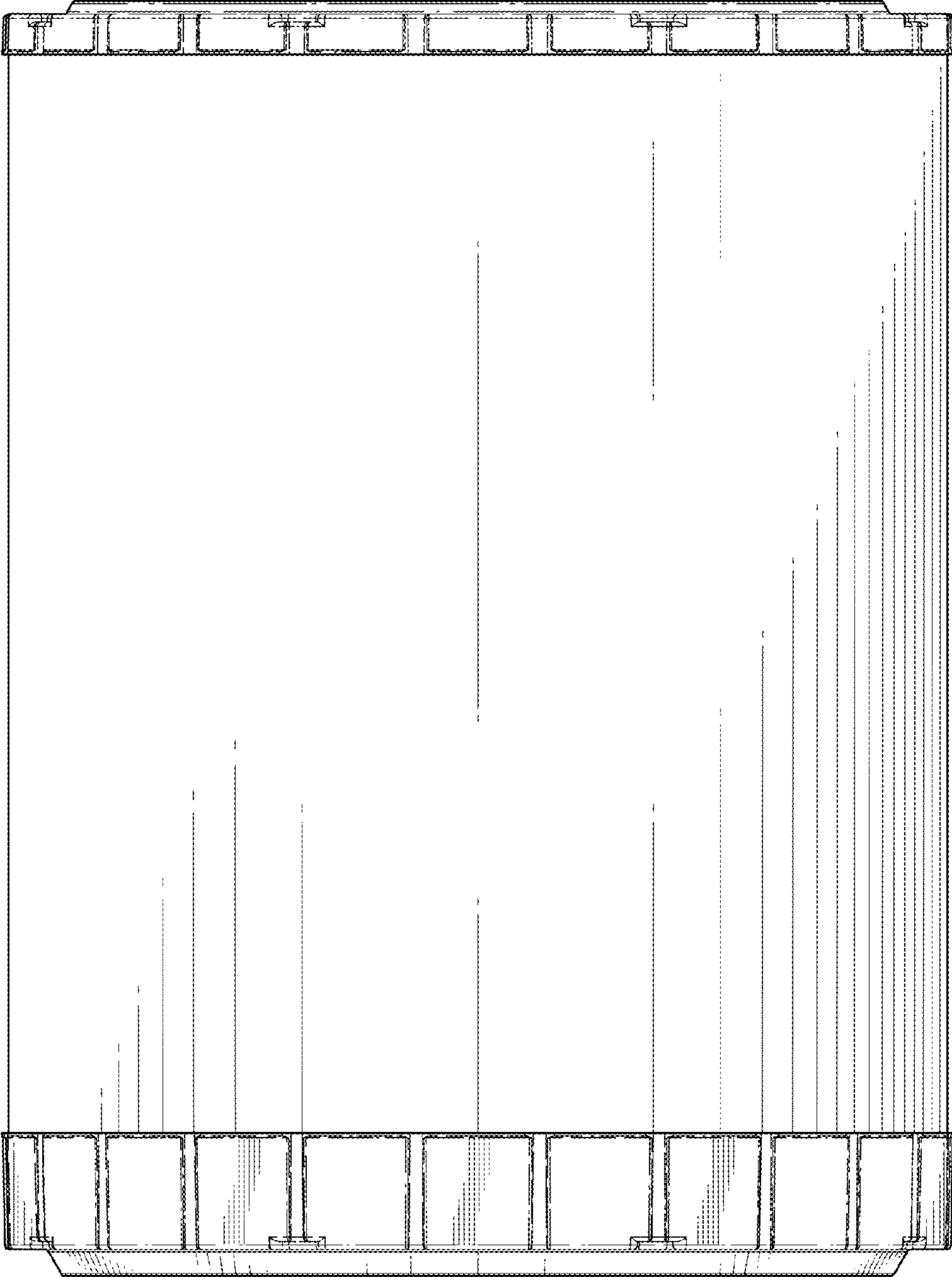


FIG. 4

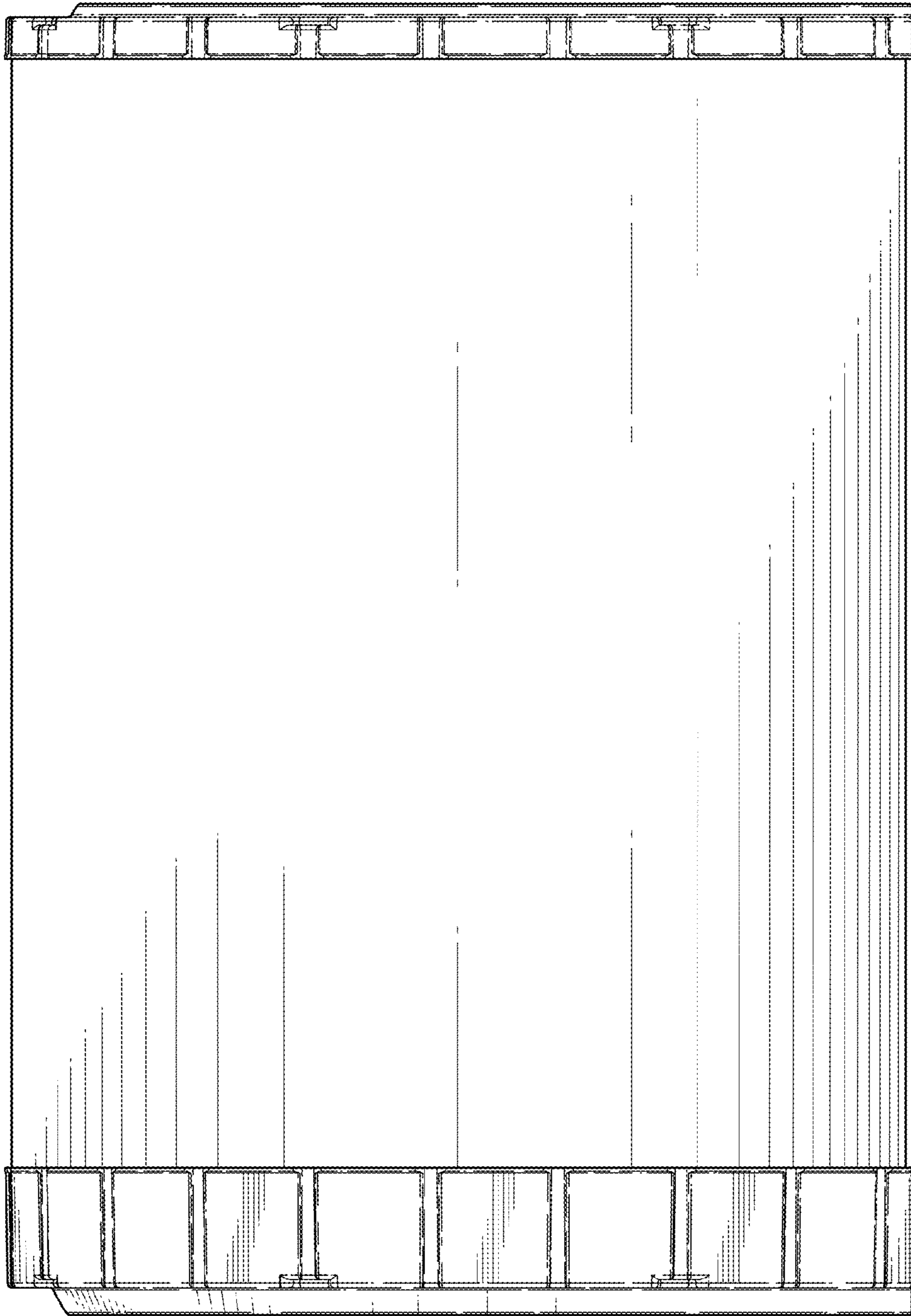


FIG. 5

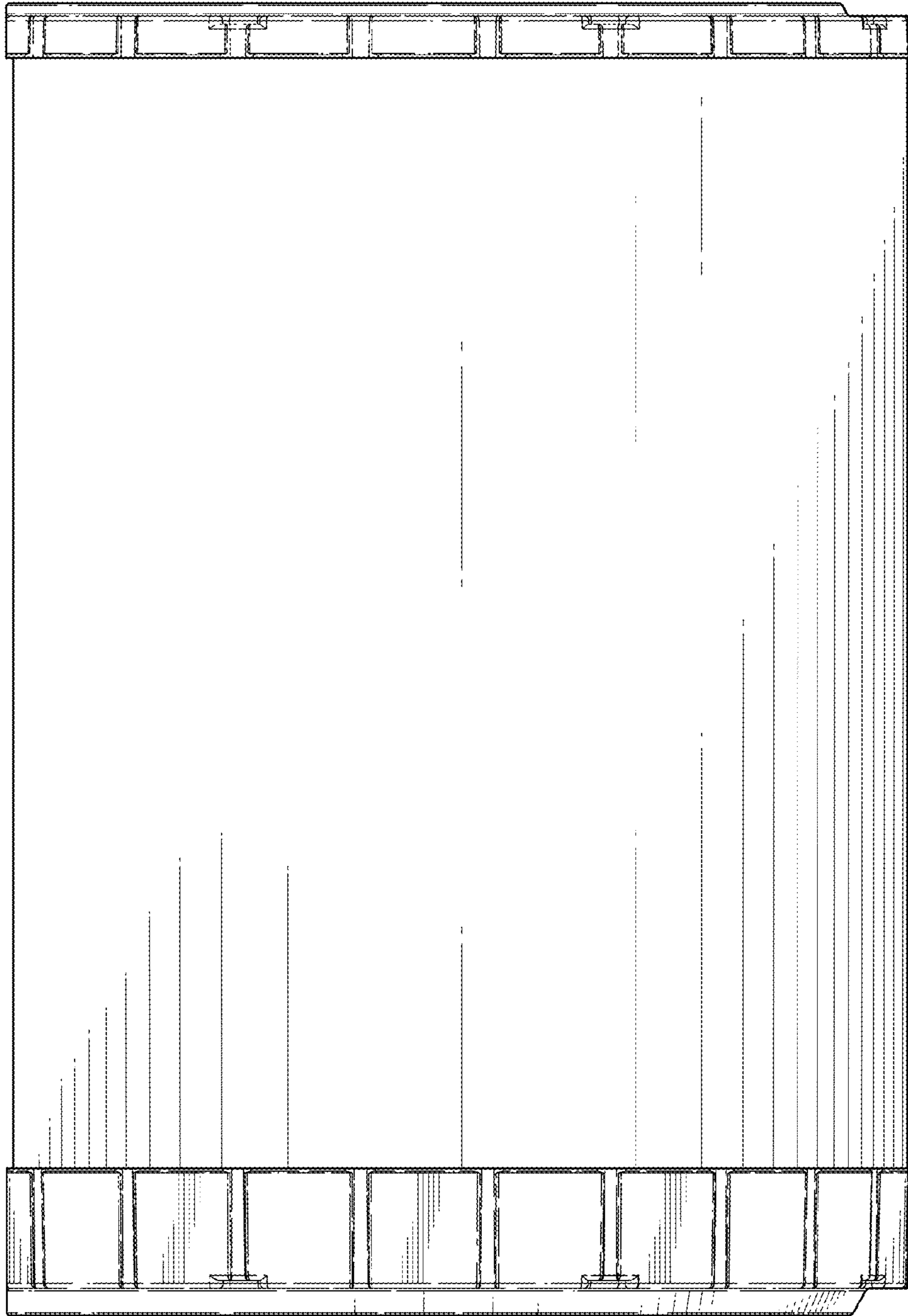


FIG. 6

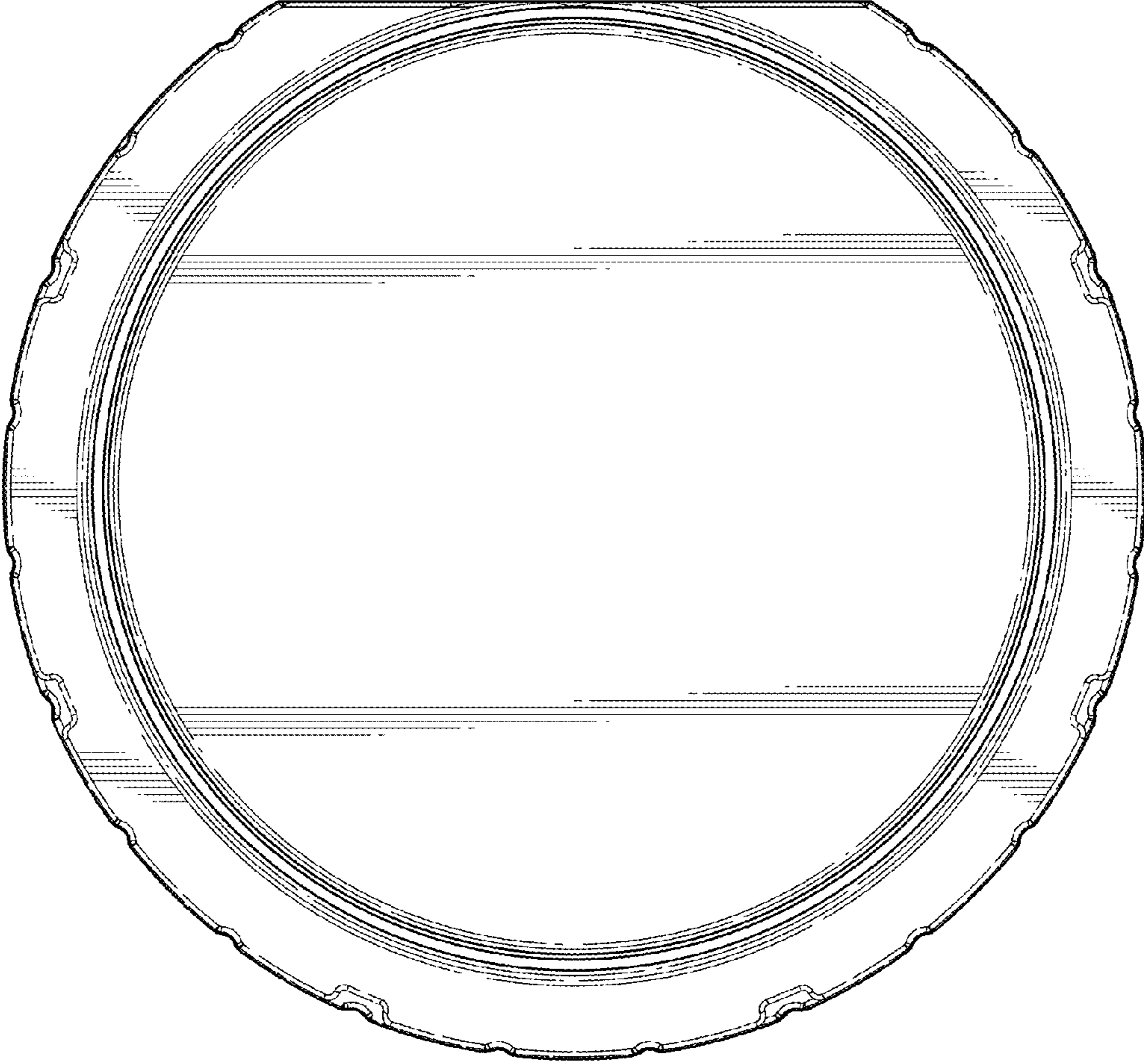


FIG. 7

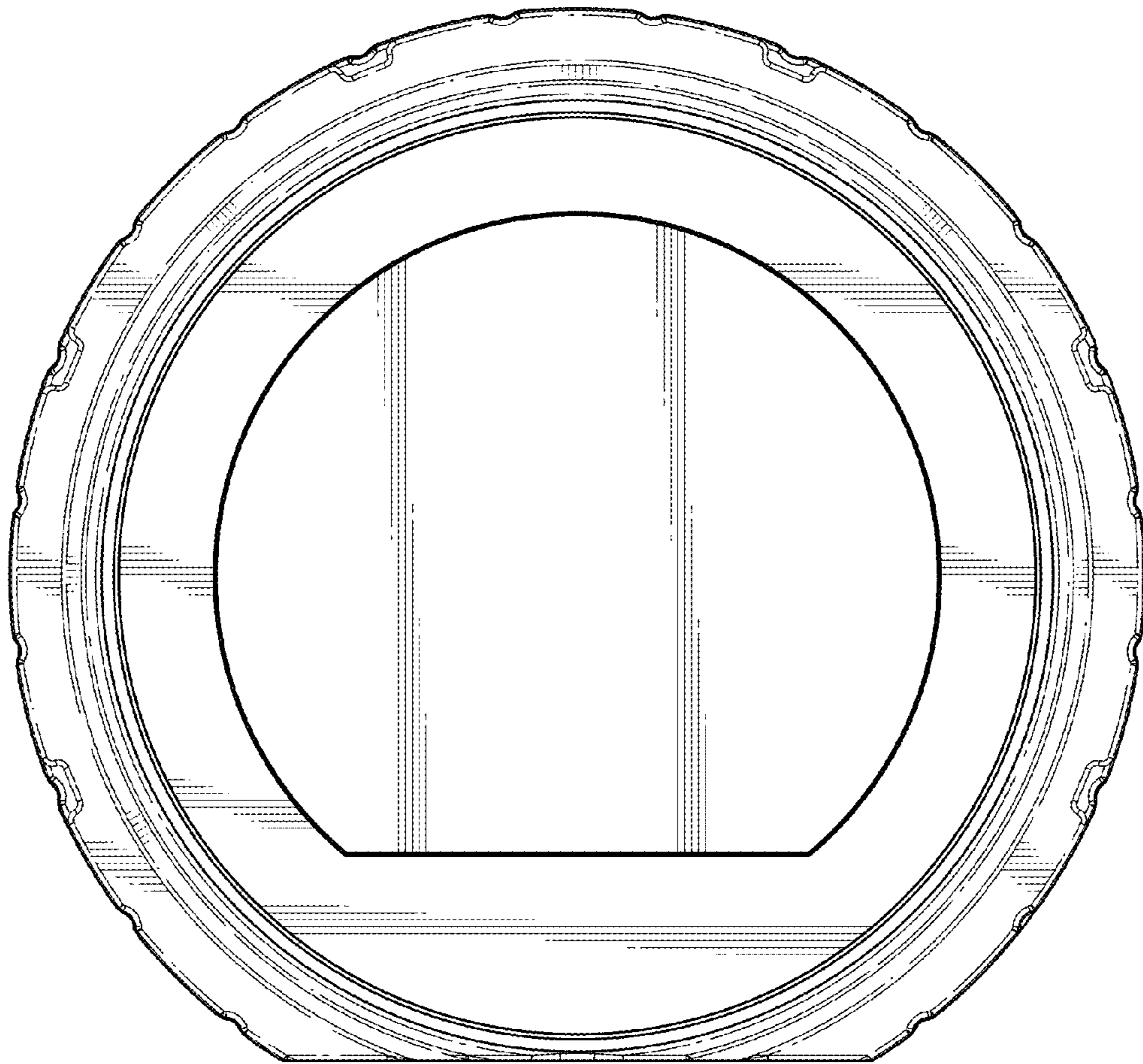


FIG. 8