



US00D735292S

(12) **United States Design Patent**  
**Johnson**

(10) **Patent No.:** **US D735,292 S**  
(45) **Date of Patent:** **\*\* Jul. 28, 2015**

(54) **WATER TREATMENT SYSTEM**

*Primary Examiner* — Robin V Webster

(71) Applicant: **Dale Johnson**, Pensacola, FL (US)

(72) Inventor: **Dale Johnson**, Pensacola, FL (US)

(\*\*) Term: **14 Years**

(21) Appl. No.: **29/494,302**

(22) Filed: **Jun. 19, 2014**

(51) **LOC (10) Cl.** ..... **23-01**

(52) **U.S. Cl.**

USPC ..... **D23/207**

(58) **Field of Classification Search**

USPC ..... D23/207, 209, 266; 204/278.5;  
210/321.74, 321.76, 321.79

CPC .... B01D 63/10; B01D 63/106; B01D 63/046;  
B01D 2319/20; B01D 2319/025

See application file for complete search history.

(56) **References Cited**

**U.S. PATENT DOCUMENTS**

1,783,605	A *	12/1930	Della	.....	285/4
D152,286	S *	1/1949	Patterson	.....	D23/207
D282,561	S *	2/1986	Lu	.....	D23/207
5,228,991	A *	7/1993	Strohm et al.	.....	210/321.8
D351,893	S *	10/1994	Whitesel	.....	D23/207
5,992,643	A *	11/1999	Scrogam et al.	.....	210/439
6,645,381	B2 *	11/2003	McEvoy	.....	210/321.78
7,410,580	B2 *	8/2008	Koch et al.	.....	210/321.79
D719,636	S *	12/2014	Reed	.....	D23/209

\* cited by examiner

(57)

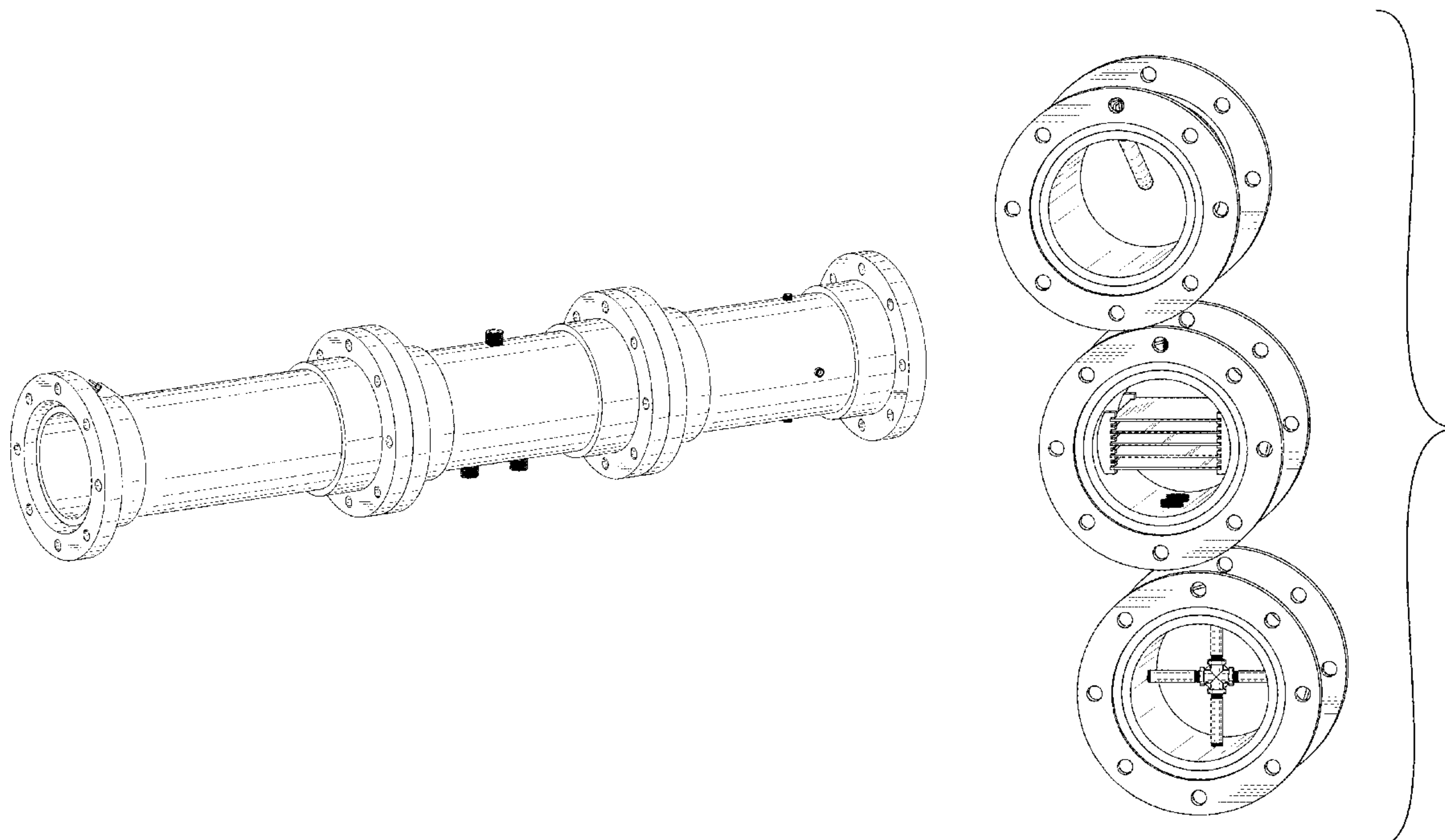
**CLAIM**

The ornamental design for a water treatment system, as shown and described.

**DESCRIPTION**

FIG. 1 is a perspective view of the water treatment system;  
 FIG. 2 is a front elevational view thereof;  
 FIG. 3 is a rear elevational view thereof;  
 FIG. 4 is a left side elevational view thereof;  
 FIG. 5 is a right side elevational view thereof;  
 FIG. 6 is a top plan view thereof;  
 FIG. 7 is a bottom plan view thereof;  
 FIG. 8 is an exploded perspective view displaying the stages of the water treatment system expanded along a single axis;  
 FIG. 9 is an exploded perspective view displaying the stages of the water treatment system expanded along two axes;  
 FIG. 10 is a front exploded view displaying the interior components of each stage of the water treatment system;  
 FIG. 11 is a front exploded perspective view displaying the interior components of each stage of the water treatment system;  
 FIG. 12 is a rear exploded view displaying the interior components of the each stage of the water treatment system; and,  
 FIG. 13 is a rear exploded perspective view displaying the interior components of each stage of the water treatment system.

**1 Claim, 10 Drawing Sheets**



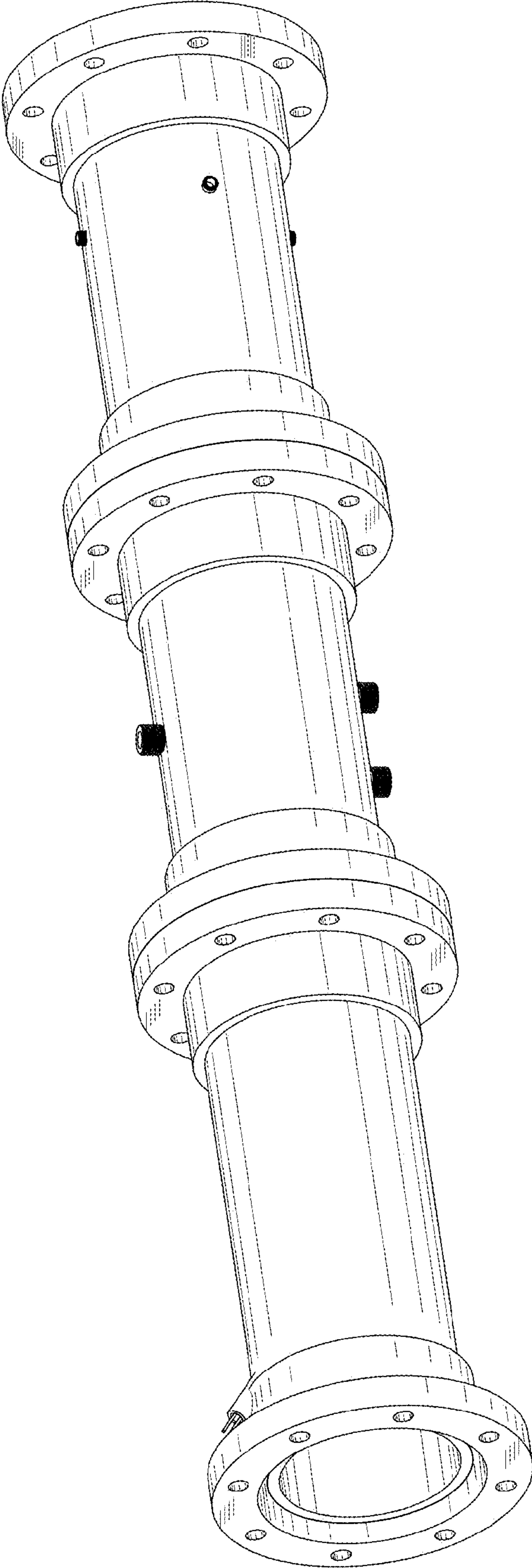


FIG. 1

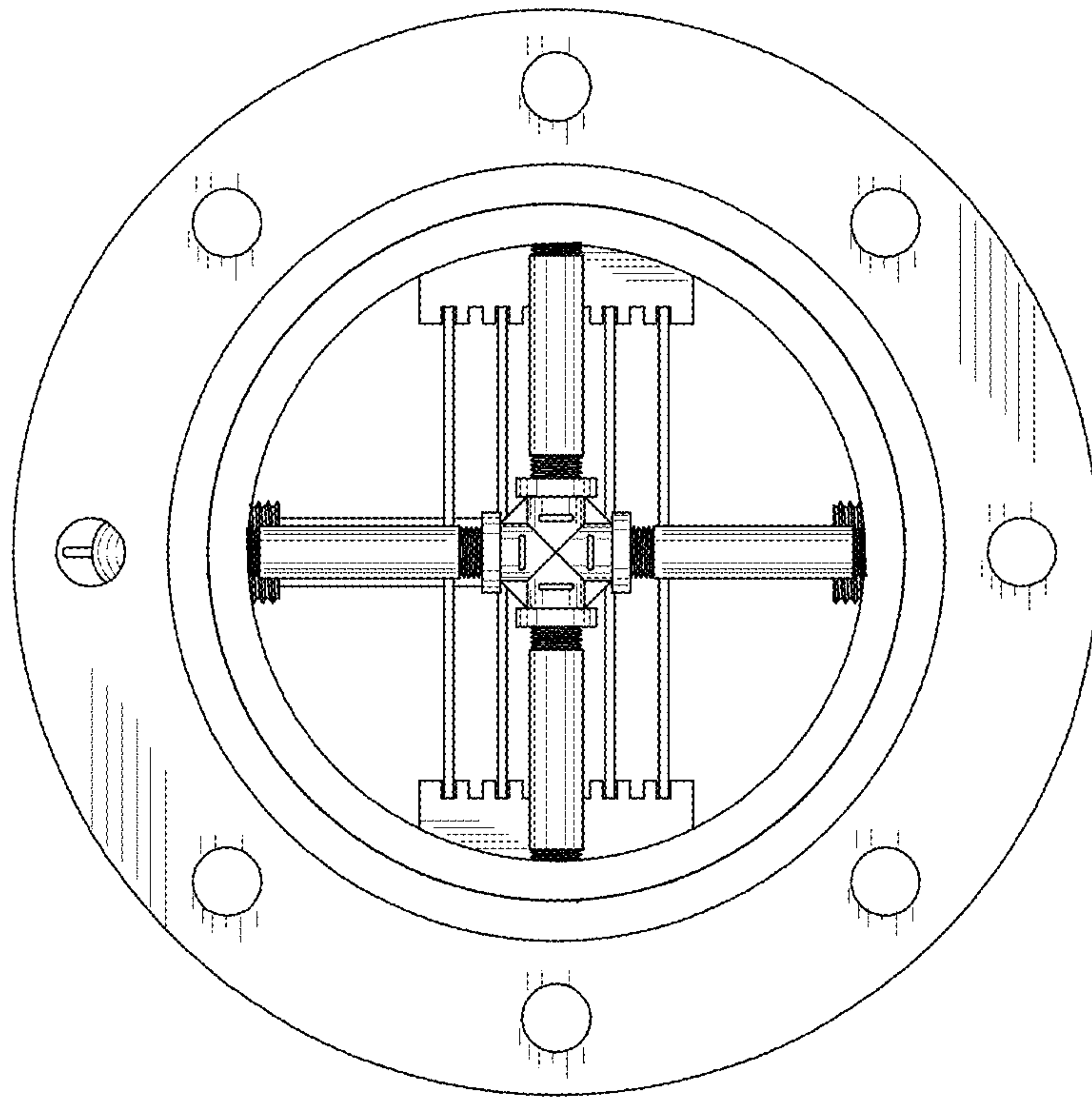


FIG. 3

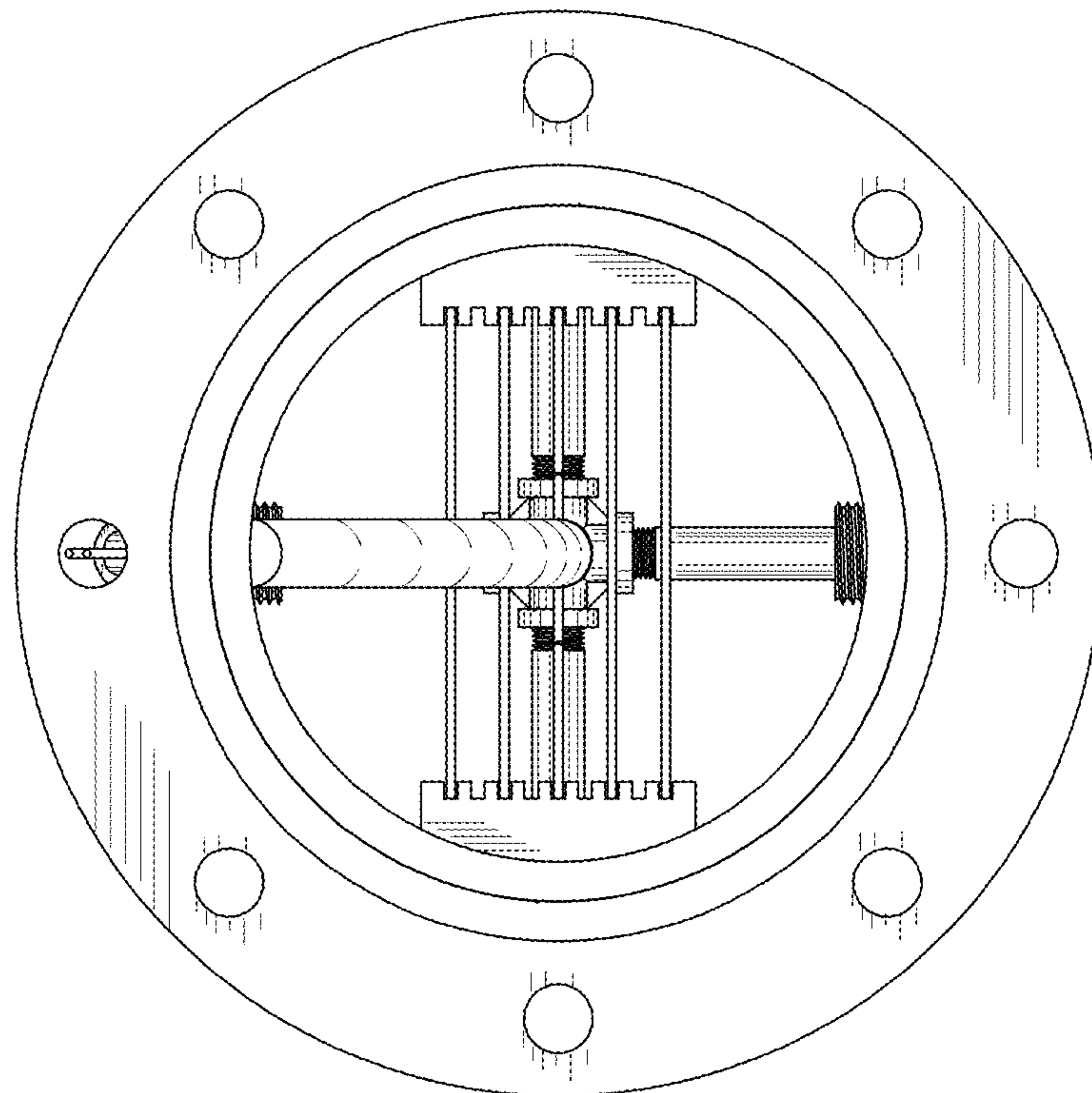


FIG. 2



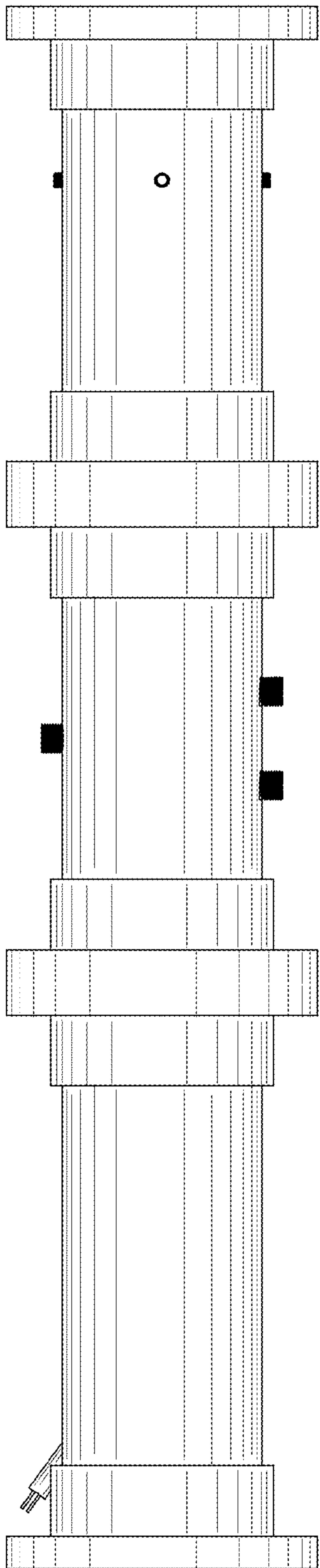


FIG. 4

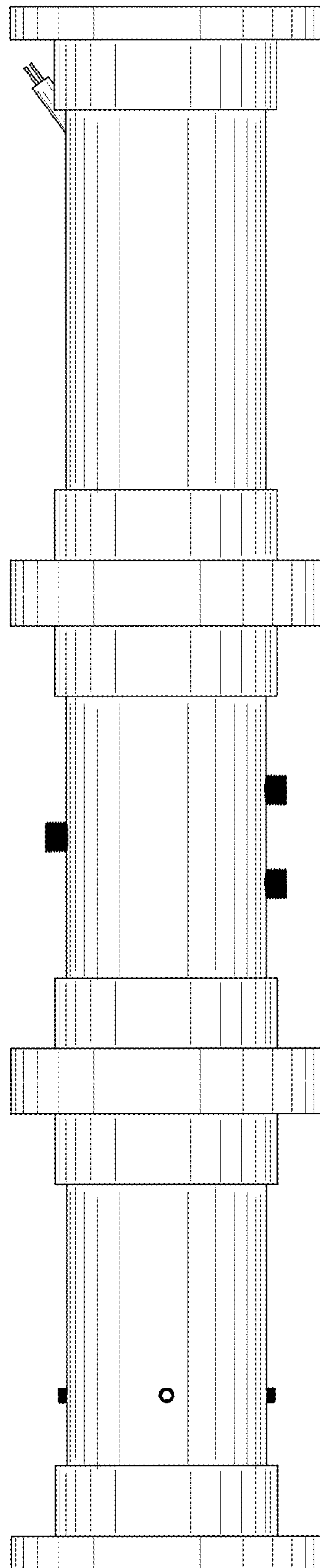


FIG. 5

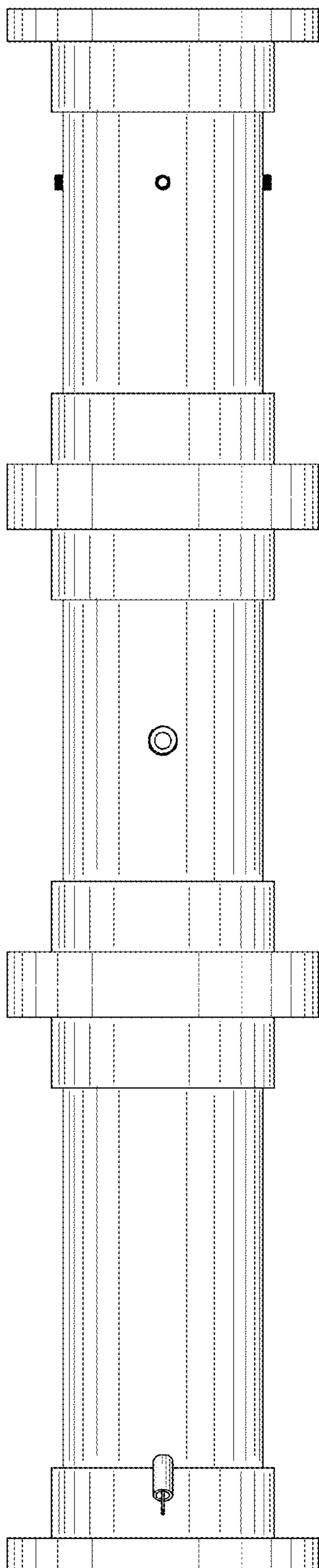


FIG. 6

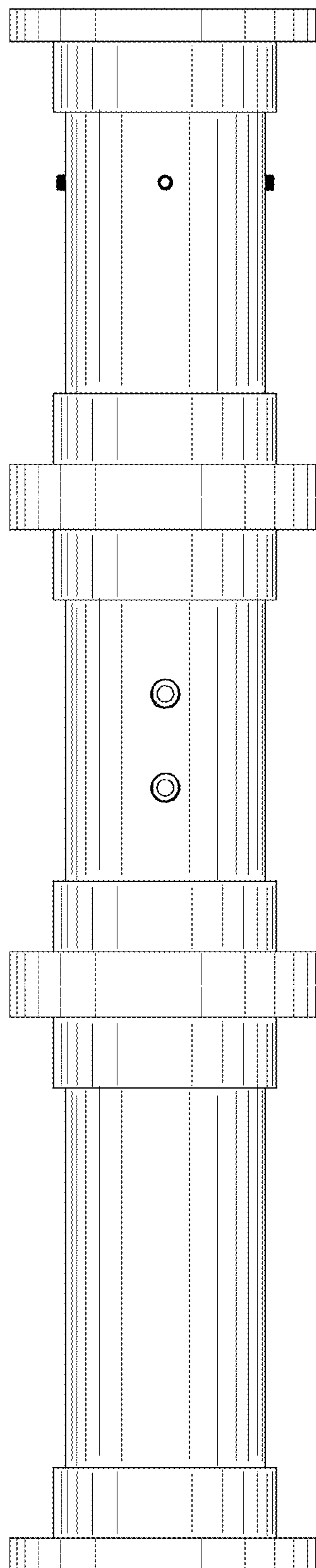


FIG. 7

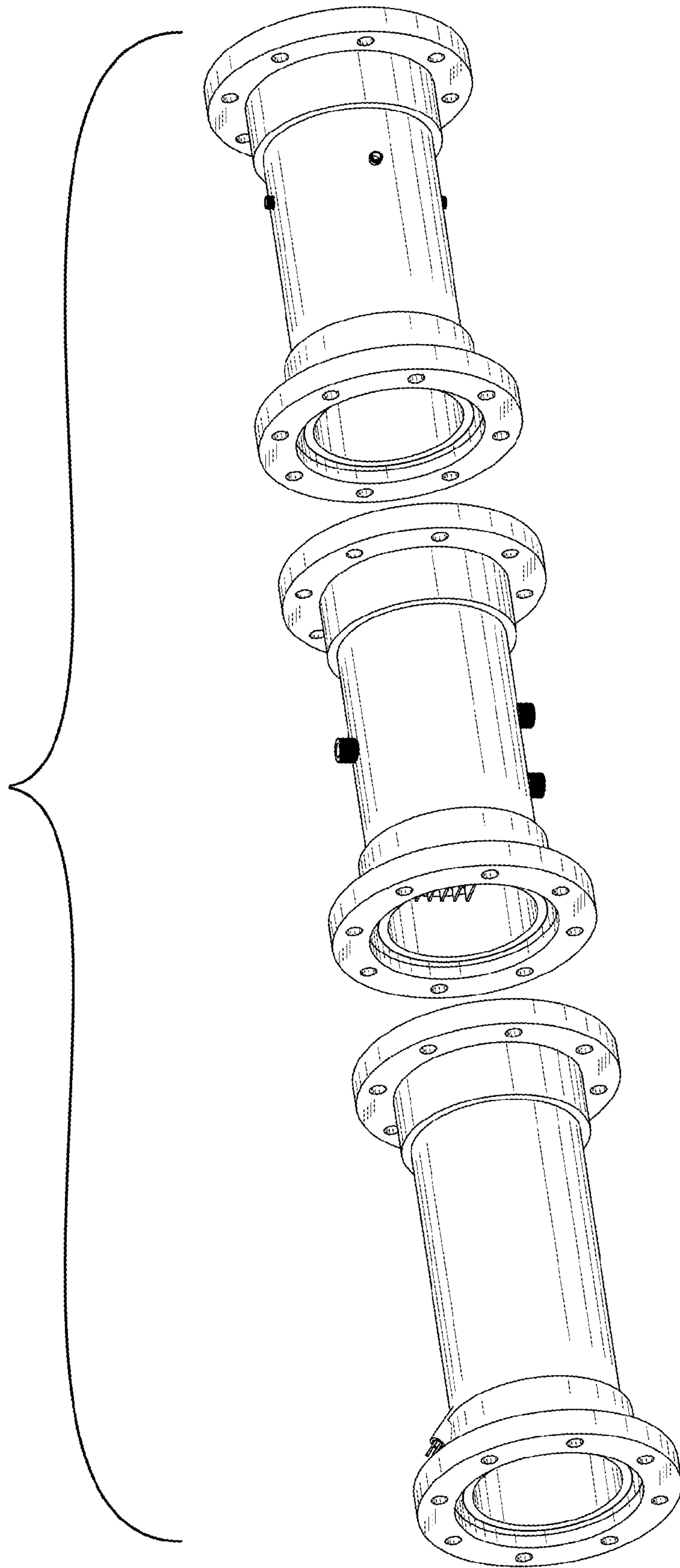


FIG. 8

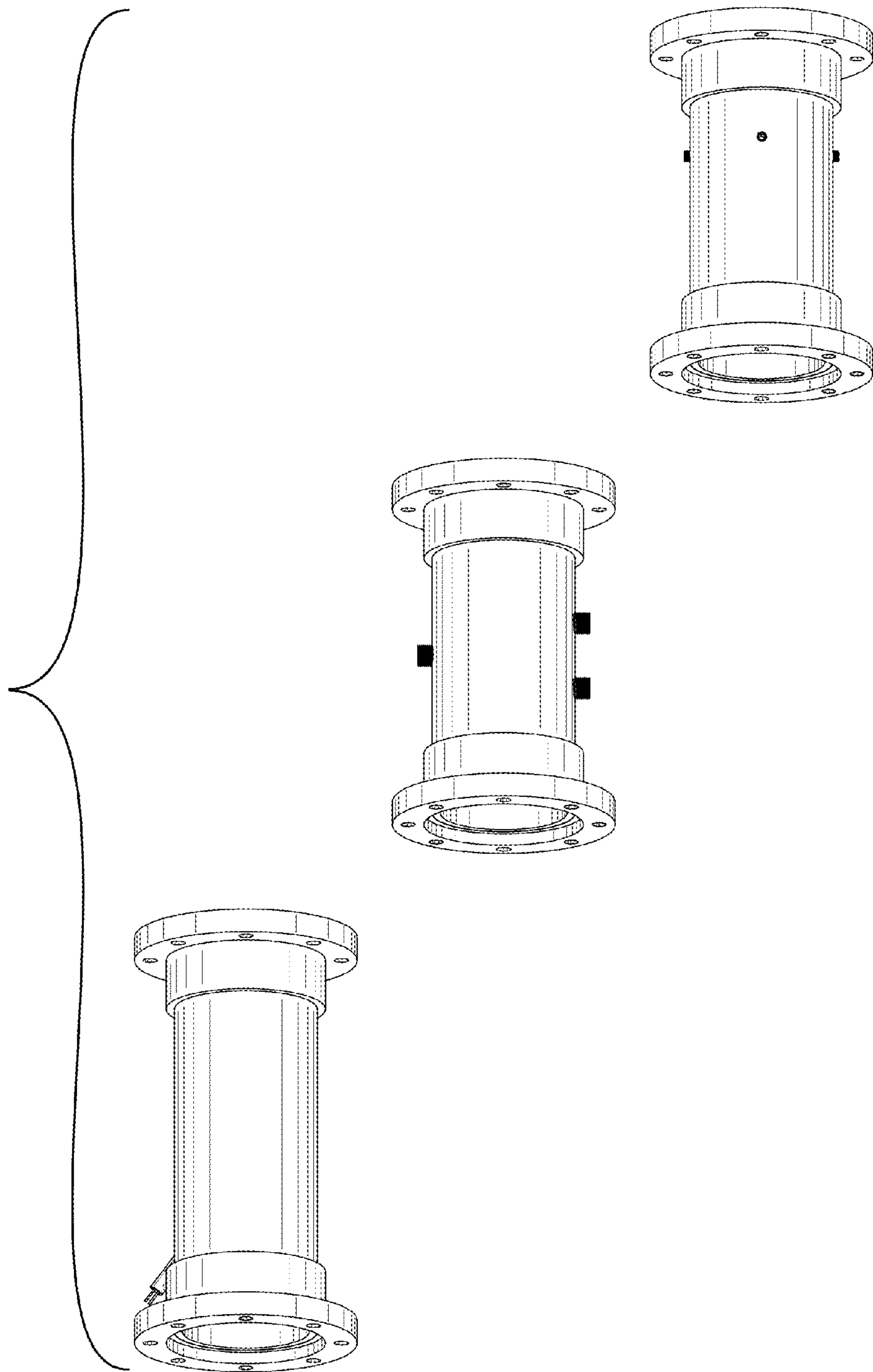


FIG. 9

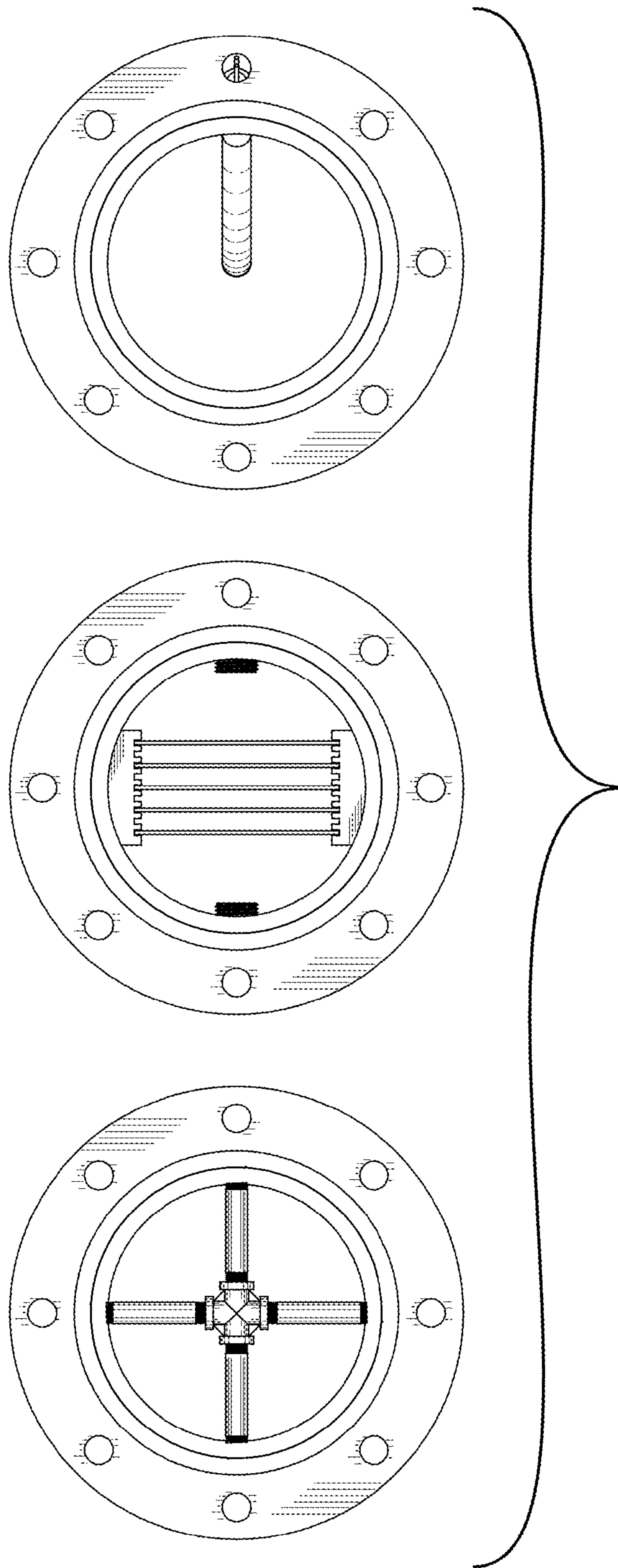


FIG. 10



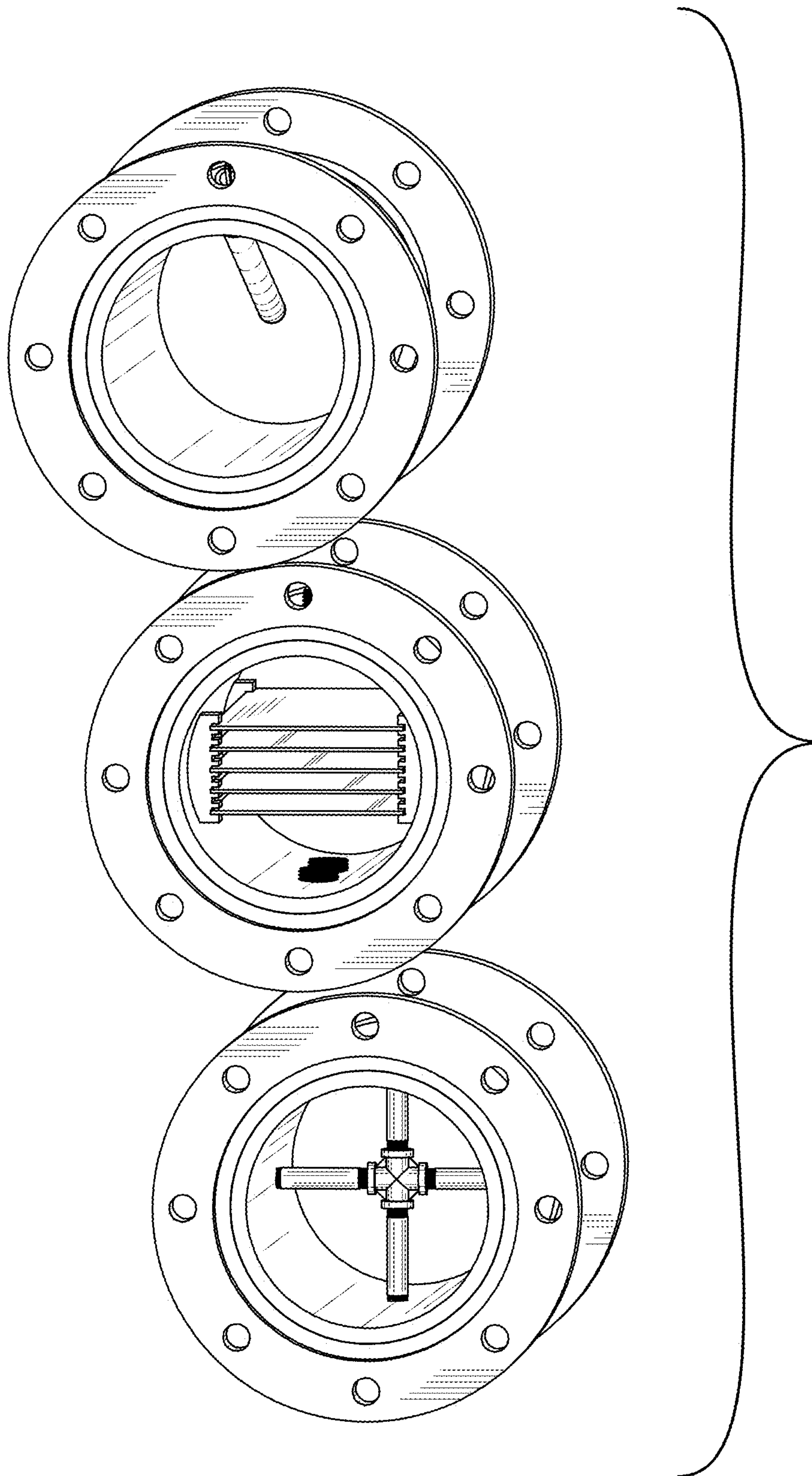


FIG. 11

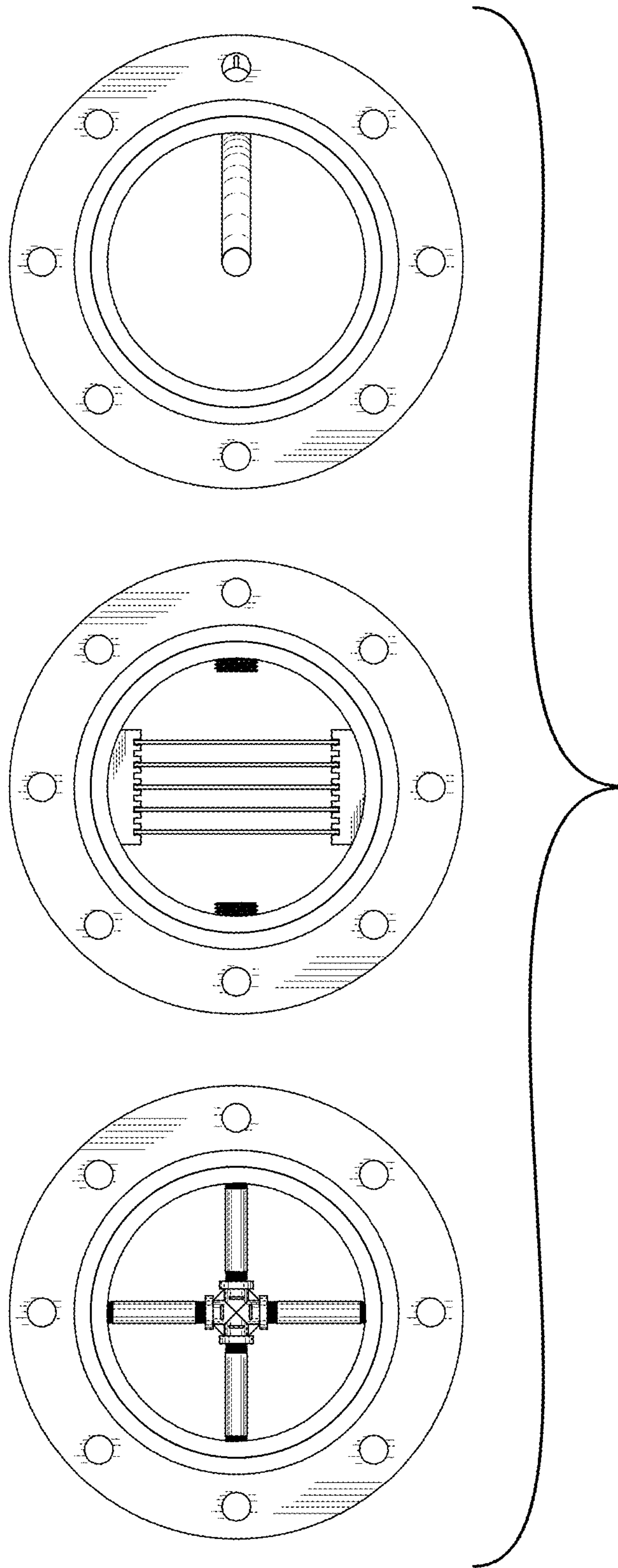


FIG. 12

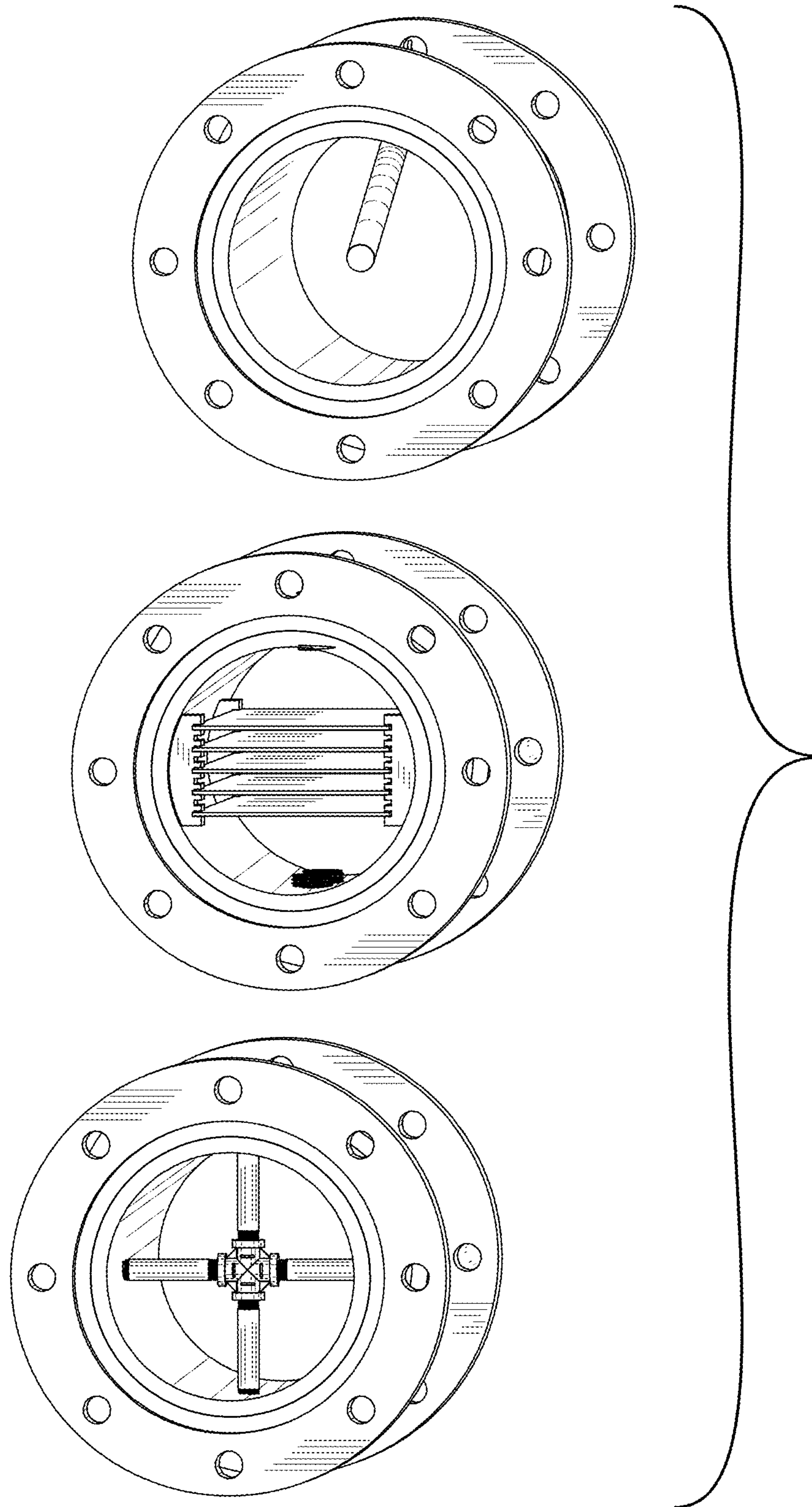


FIG. 13