



US00D735288S

(12) **United States Design Patent**  
**Gomez**

(10) **Patent No.:** **US D735,288 S**  
(45) **Date of Patent:** **\*\* Jul. 28, 2015**

(54) **RECEIVER ASSEMBLY FOR AN AUTOMATIC RIFLE**

(71) Applicant: **LWRC International, LLC**,  
Cambridge, MD (US)

(72) Inventor: **Jesus S. Gomez**, Trappe, MD (US)

(73) Assignee: **LWRC INTERNATIONAL LLC**,  
Cambridge, MD (US)

(\*\*) Term: **14 Years**

(21) Appl. No.: **29/439,542**

(22) Filed: **Dec. 12, 2012**

**Related U.S. Application Data**

(63) Continuation-in-part of application No. 13/419,202, filed on Mar. 13, 2012, now Pat. No. 8,342,075, which is a continuation of application No. 12/381,240, filed on Mar. 10, 2009.

(51) **LOC (10) Cl.** ..... **22-01**

(52) **U.S. Cl.**  
USPC ..... **D22/108**

(58) **Field of Classification Search**  
USPC ..... D22/103, 108; 42/1.01-1.07, 2, 10-26, 42/34, 36, 37, DIG. 1; 89/40.06, 41.19, 89/37.04, 33.04, 191.01, 200-204; 124/67, 66, 72, 74

See application file for complete search history.

(56) **References Cited**

**U.S. PATENT DOCUMENTS**

D285,236	S *	8/1986	Brunton	.....	D22/108
5,900,577	A	5/1999	Robinson et al.		
7,444,775	B1 *	11/2008	Schuetz	.....	42/76.01
D590,473	S *	4/2009	Fitzpatrick et al.	.....	D22/103
D603,012	S *	10/2009	Fitzpatrick et al.	.....	D22/108
7,806,039	B1 *	10/2010	Gomez	.....	89/132
7,832,326	B1 *	11/2010	Barrett	.....	89/191.01
D636,043	S *	4/2011	Olsen et al.	.....	D22/108
7,930,968	B2 *	4/2011	Giefing	.....	89/185

7,963,203	B1 *	6/2011	Davies	.....	89/14.1
7,975,595	B2	7/2011	Robinson et al.		
8,037,806	B2 *	10/2011	Davies	.....	89/198
8,051,595	B2 *	11/2011	Hochstrate et al.	.....	42/75.01
D668,311	S *	10/2012	Rogers et al.	.....	D22/108
8,307,750	B2 *	11/2012	Vuksanovich et al.	....	89/191.01
D674,859	S *	1/2013	Robbins et al.	.....	D22/108
8,468,929	B2 *	6/2013	Larson et al.	.....	89/193
8,516,731	B2 *	8/2013	Cabahug et al.	.....	42/84
2012/0111183	A1 *	5/2012	Hochstrate et al.	.....	89/193
2012/0137562	A1 *	6/2012	Langevin et al.	.....	42/75.03
2012/0167424	A1 *	7/2012	Gomez	.....	42/14
2012/0204713	A1 *	8/2012	Patel	.....	89/199
2013/0068089	A1 *	3/2013	Brown	.....	89/193
2013/0174457	A1 *	7/2013	Gangl et al.	.....	42/16

**OTHER PUBLICATIONS**

<http://www.xdtalk.com/forums/ar-talk/135060-lwrc-repr-7-62mm-photo-gallery.html>.\*

<http://forum.lwrci.com/viewtopic.php?f=35&t=10081>.\*

Charlie Cutshaw; Fal Fever!; Combat Tactics; Fall 2005; 14 pages.

\* cited by examiner

*Primary Examiner* — Michael A Pratt

(74) *Attorney, Agent, or Firm* — Porzio, Bromberg & Newman P.C.

(57) **CLAIM**

I claim the ornamental design for a receiver assembly for an automatic rifle, as shown.

**DESCRIPTION**

FIG. 1 is a perspective side view showing my design for a receiver assembly for an automatic rifle;

FIG. 2 is a top view thereof;

FIG. 3 is a bottom view thereof;

FIG. 4 is a left side view thereof;

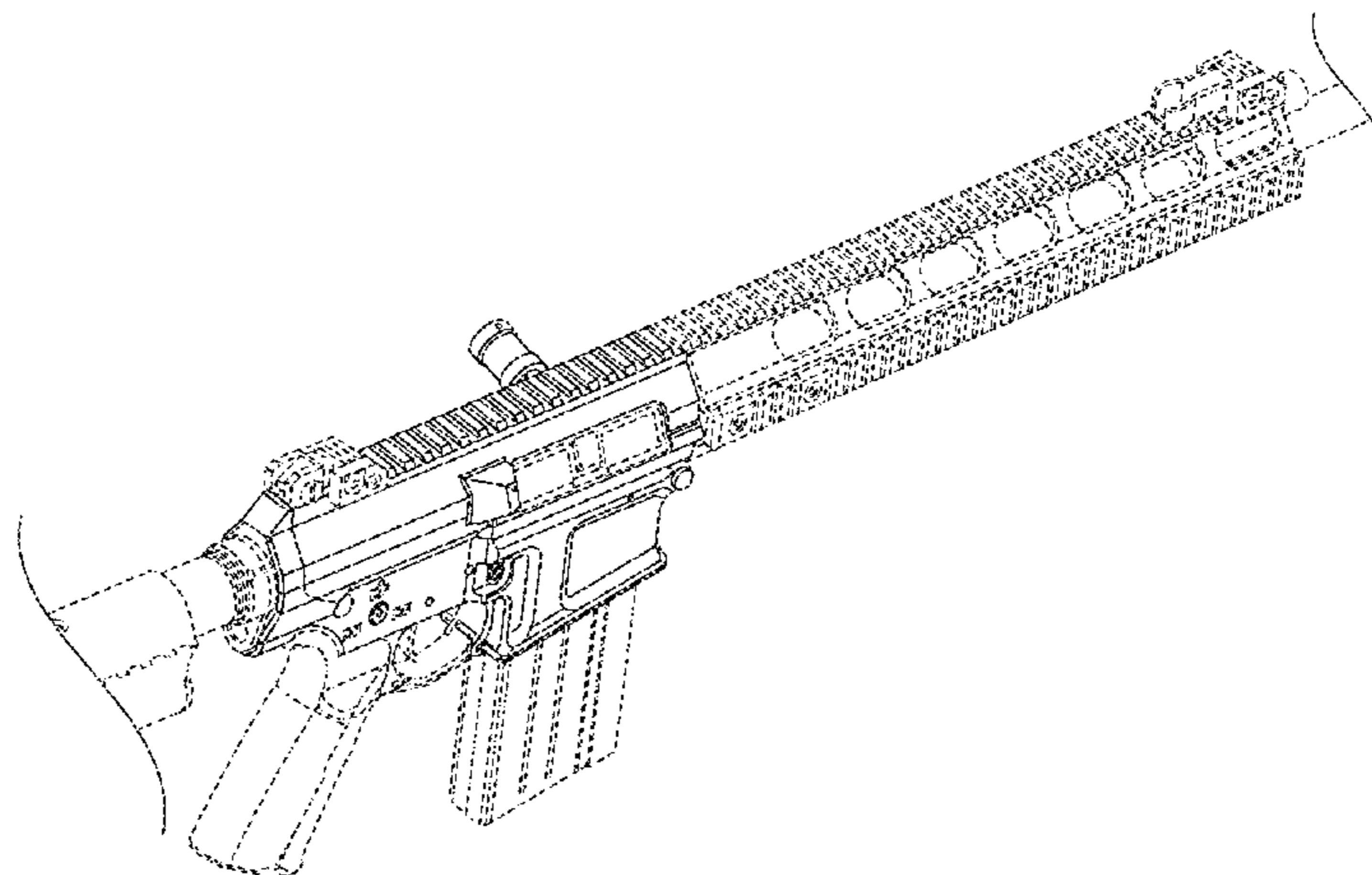
FIG. 5 is a right side view thereof;

FIG. 6 is a front view thereof; and,

FIG. 7 is a back view thereof.

The portions of the automatic rifle shown in broken lines are for illustrative purposes only and form no part of the inventive design.

**1 Claim, 4 Drawing Sheets**



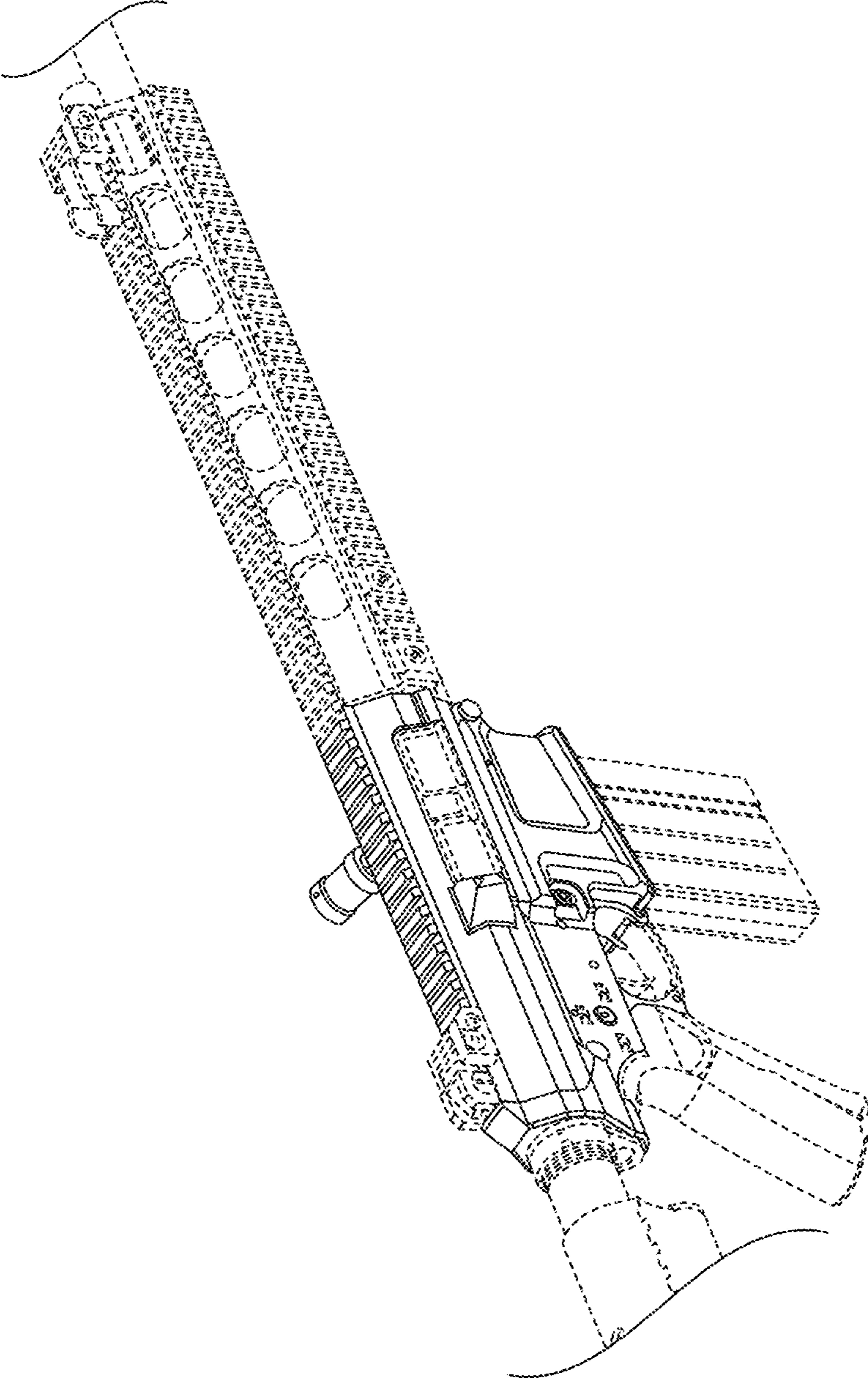


FIG. 1

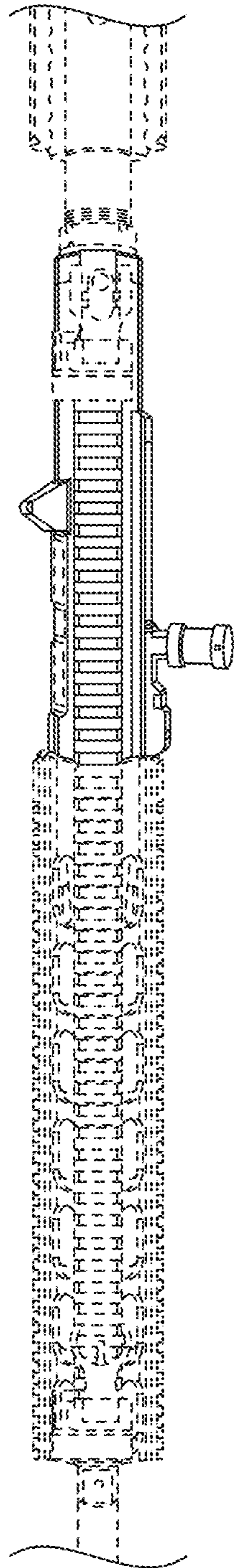


FIG. 2

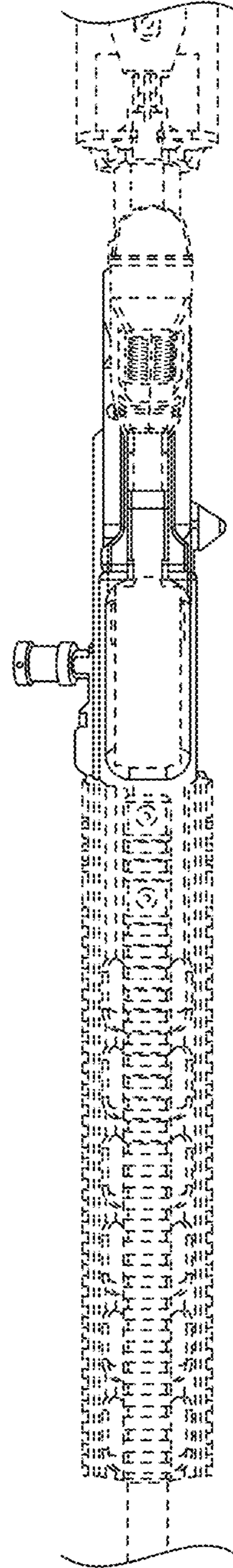


FIG. 3

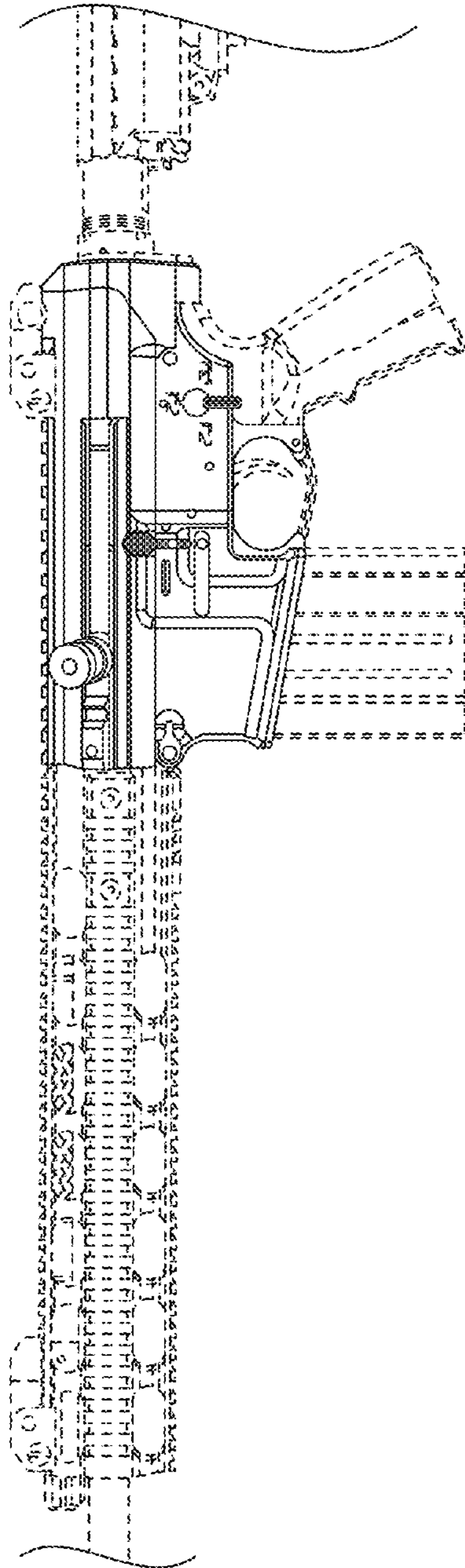


FIG. 4

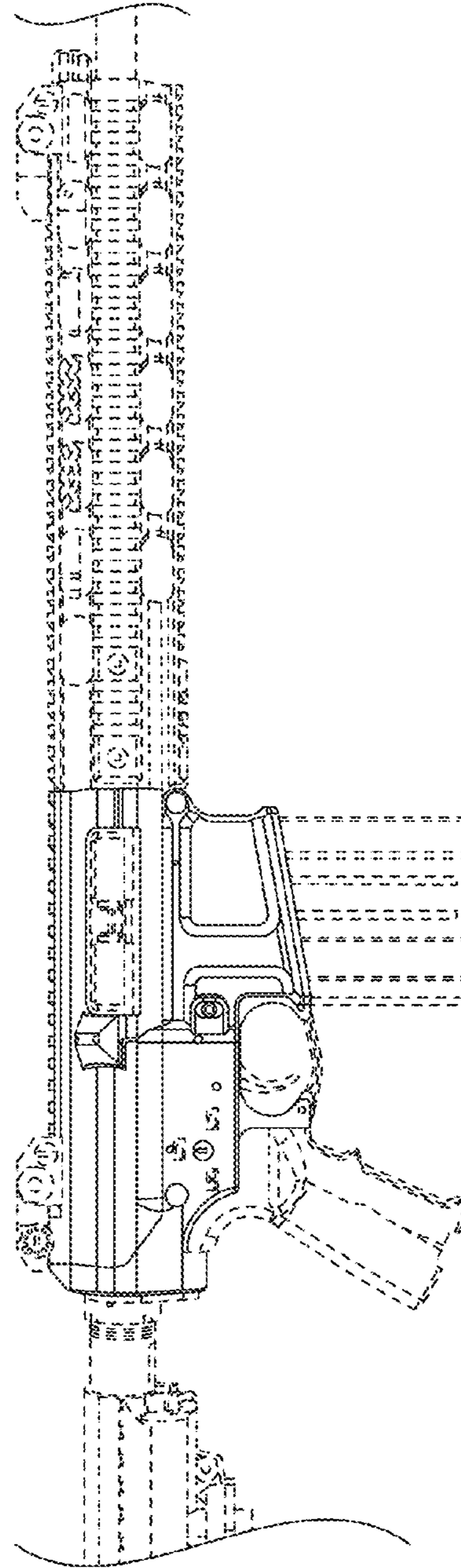


FIG. 5

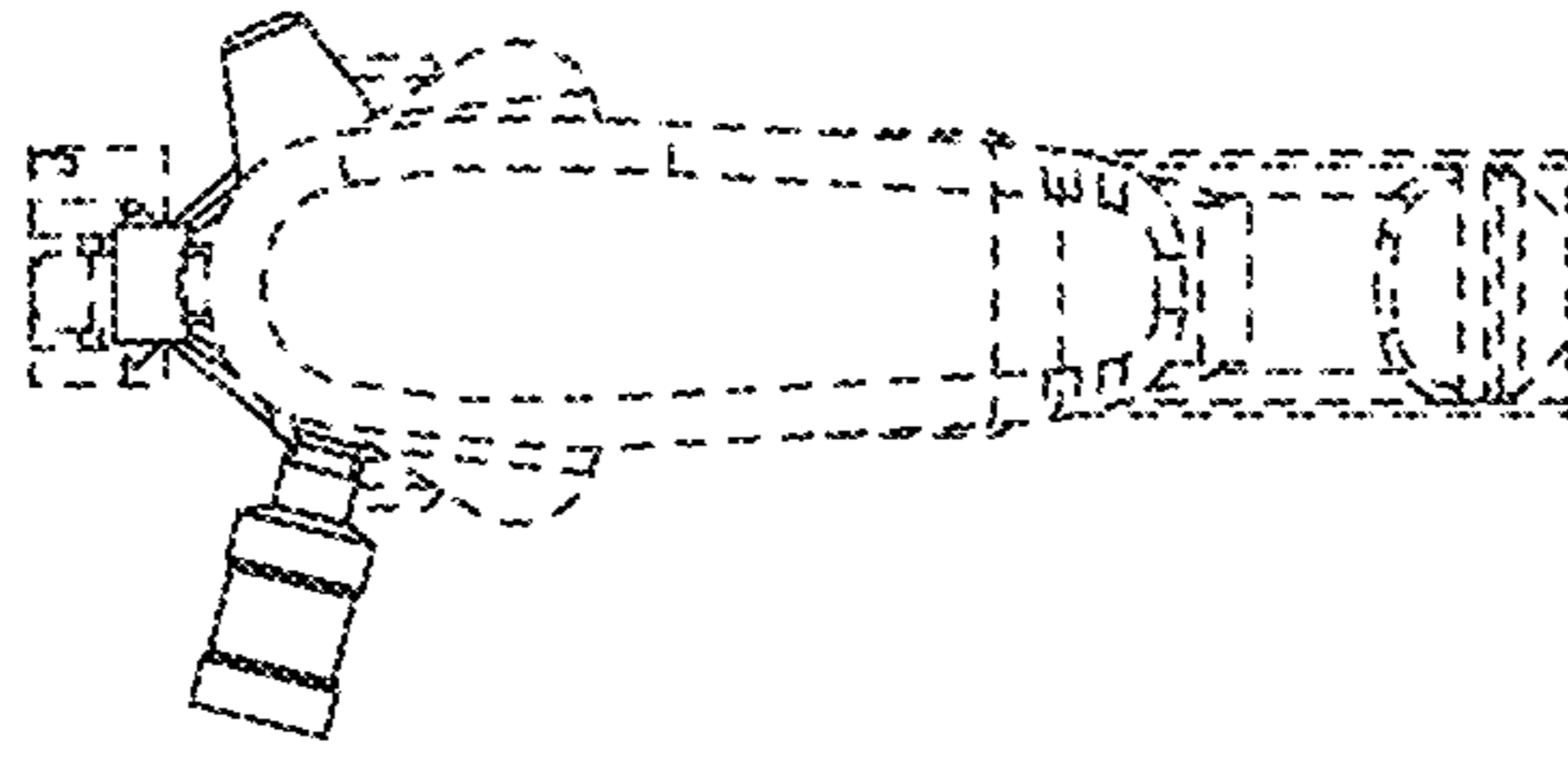


FIG. 6

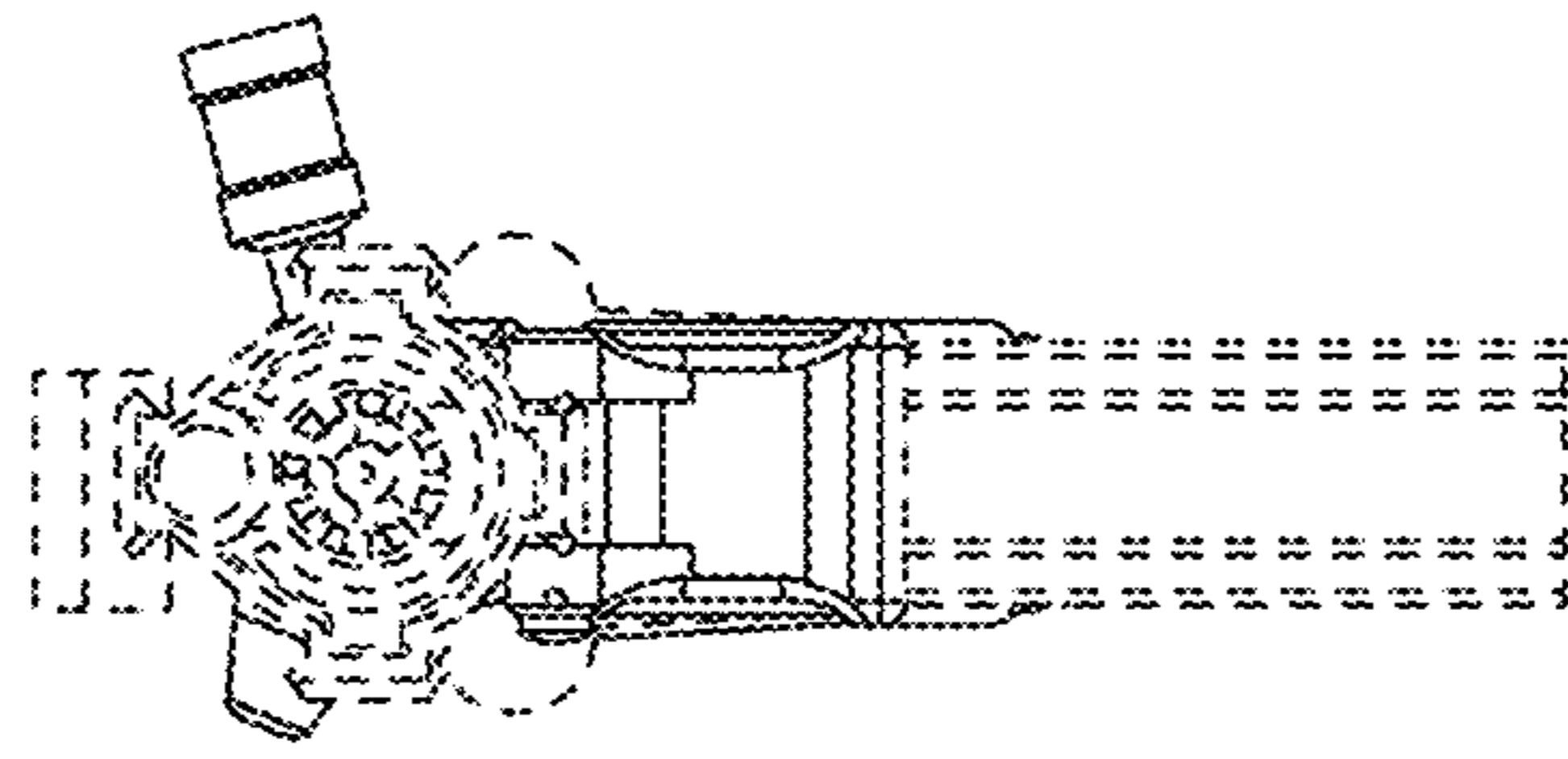


FIG. 7