



US00D735283S

(12) **United States Design Patent**
Solheim et al.

(10) **Patent No.:** **US D735,283 S**

(45) **Date of Patent:** **** Jul. 28, 2015**

(54) **GOLF CLUB HEAD**
(71) Applicant: **Karsten Manufacturing Corporation,**
Phoenix, AZ (US)
(72) Inventors: **John A. Solheim,** Phoenix, AZ (US);
Ryan M. Stokke, Phoenix, AZ (US)
(73) Assignee: **Karsten Manufacturing Corporation,**
Phoenix, AZ (US)

6,902,496 B2 6/2005 Solheim
D507,612 S 7/2005 Souza
6,926,615 B1 8/2005 Souza
6,960,140 B2 11/2005 Solheim
6,966,845 B2 11/2005 Solheim
D520,584 S 5/2006 Karlsen
D521,582 S 5/2006 Souza

(Continued)

(**) Term: **14 Years**

(21) Appl. No.: **29/496,249**

(22) Filed: **Jul. 10, 2014**

(51) **LOC (10) Cl.** **21-02**

(52) **U.S. Cl.**
USPC **D21/743**

(58) **Field of Classification Search**
USPC D21/736-746, 759
CPC A63B 53/0487; A63B 53/065
See application file for complete search history.

(56) **References Cited**

U.S. PATENT DOCUMENTS

3,884,477 A 5/1975 Bianco
4,030,766 A 6/1977 Derr
D316,129 S 4/1991 Bryson
5,275,412 A * 1/1994 Innes 473/253
6,159,108 A 12/2000 De La Pena
6,379,259 B1 4/2002 Opie
D488,526 S 4/2004 Souza
D500,109 S 12/2004 Solheim
D500,110 S 12/2004 Solheim
6,837,801 B1 1/2005 Souza
6,878,071 B1 4/2005 Schwieger
6,893,355 B2 5/2005 Souza

FOREIGN PATENT DOCUMENTS

JP 09271542 10/1997

OTHER PUBLICATIONS

Stina Sternberg and Ashley Mayo, "2008 Spring Equipment Preview," Golf for Women, May-Jun. 2008 at 114.

(Continued)

Primary Examiner — Mitchell Siegel

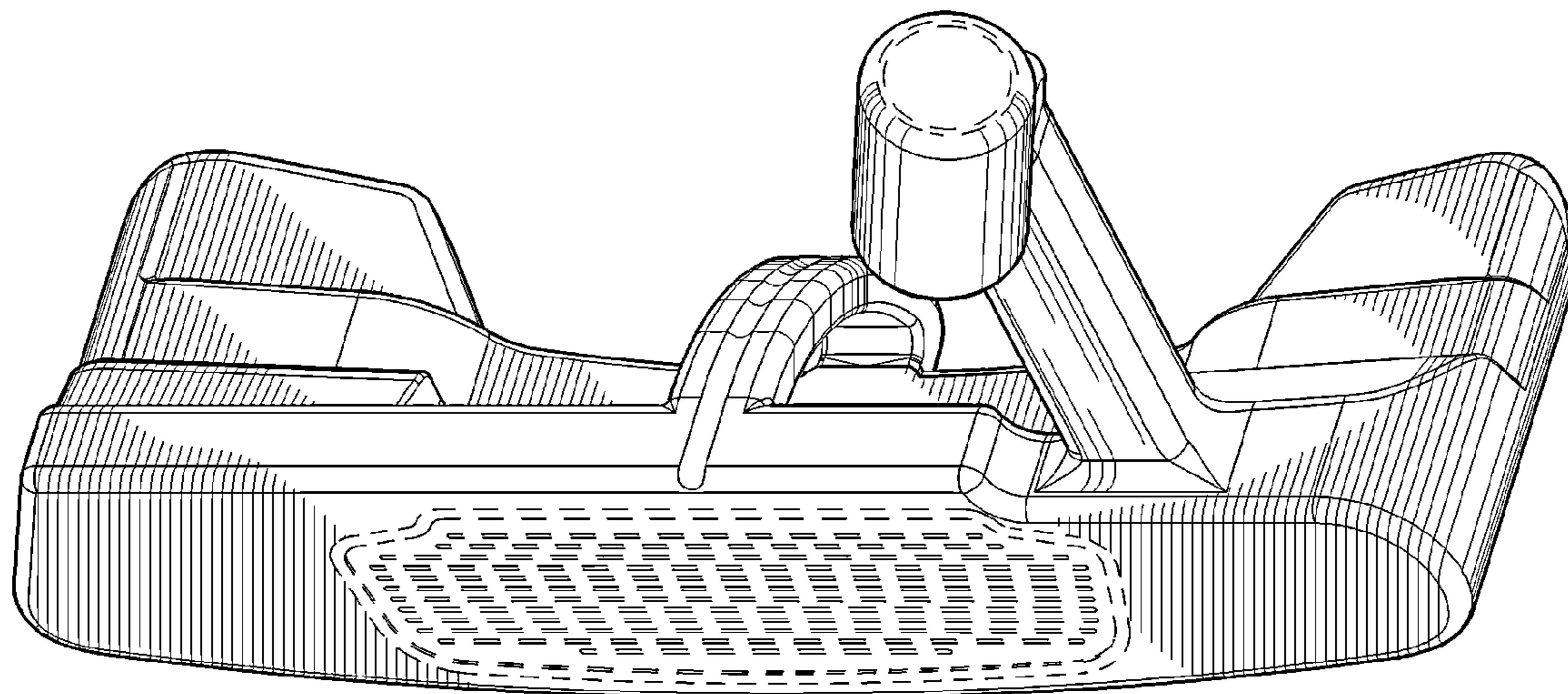
(57) **CLAIM**

The ornamental design for a golf club head, as shown and described.

DESCRIPTION

FIG. 1 is a top perspective view of a golf club head;
FIG. 2 is a bottom perspective view of the golf club head of FIG. 1;
FIG. 3 is a front view of the golf club head of FIG. 1;
FIG. 4 is a rear view of the golf club head of FIG. 1;
FIG. 5 is a top view of the golf club head of FIG. 1;
FIG. 6 is a bottom view of the golf club head of FIG. 1;
FIG. 7 is a left view of the golf club head of FIG. 1; and,
FIG. 8 is a right view of the golf club head of FIG. 1.
The broken lines shown in one or more of the figures are for illustrative purposes only and form no part of the claimed design.

1 Claim, 4 Drawing Sheets



(56)

References Cited

U.S. PATENT DOCUMENTS

7,052,411 B2 5/2006 Solheim
 D522,598 S 6/2006 Solheim
 7,077,758 B2 7/2006 Rohrer
 7,086,957 B2 8/2006 Solheim
 D527,777 S 9/2006 Solheim
 D529,108 S 9/2006 Stites
 D532,847 S * 11/2006 Rollinson D21/736
 D533,243 S 12/2006 Fife, Jr.
 D533,244 S * 12/2006 Kroll, Jr. D21/746
 7,235,021 B2 6/2007 Solheim
 D548,295 S 8/2007 Jertson
 7,255,650 B2 8/2007 Bryant
 D552,197 S 10/2007 Wells
 D564,607 S * 3/2008 Oldknow et al. D21/736
 D565,137 S 3/2008 Oldknow
 7,371,185 B1 5/2008 Rohrer
 D581,473 S 11/2008 Thomas
 D583,003 S 12/2008 Solheim
 D587,325 S * 2/2009 Solheim et al. D21/736
 D600,760 S 9/2009 Serrano
 D600,761 S 9/2009 Solheim
 D600,762 S 9/2009 Serrano
 7,601,076 B2 10/2009 Rollinson
 D607,950 S 1/2010 Souza
 D621,458 S 8/2010 Serrano
 D621,460 S 8/2010 Serrano
 D621,461 S 8/2010 Serrano
 D621,462 S 8/2010 Serrano
 D621,891 S 8/2010 Serrano
 D623,709 S * 9/2010 Serrano et al. D21/736
 7,803,066 B2 9/2010 Solheim
 7,815,515 B1 10/2010 Hunt
 D638,891 S 5/2011 Nicolette
 D640,341 S * 6/2011 Foster et al. D21/742

D643,080 S 8/2011 Serrano
 D643,485 S 8/2011 Nicolette
 D643,486 S 8/2011 Serrano
 D643,487 S 8/2011 Serrano
 8,100,779 B2 1/2012 Solheim
 D653,718 S 2/2012 Stokke
 8,109,838 B2 2/2012 Solheim
 8,128,505 B2 3/2012 Tryner et al.
 D664,617 S * 7/2012 Serrano D21/743
 D723,641 S * 3/2015 Serrano et al. D21/743
 2005/0170904 A1 8/2005 Smeeth
 2006/0094533 A1 5/2006 Warren
 2006/0166755 A1 7/2006 Brown
 2007/0191135 A1 8/2007 Nilsson
 2008/0096686 A1 4/2008 Bilkhu
 2009/0270198 A1 * 10/2009 Solheim et al. 473/340
 2009/0305806 A1 * 12/2009 Campadore et al. 473/236
 2009/0305807 A1 * 12/2009 Solheim et al. 473/251
 2010/0227704 A1 9/2010 Souza
 2012/0115628 A1 5/2012 Woods

OTHER PUBLICATIONS

Stine Sternberg, "Hot List 2008-Putters," Golf Digest Feb. 2008 at 158-169 also available at: <http://www.golfdigest.com/equipment/ratings>.
 Anthony D. Serrano et al., "Golf Club Head," U.S. Appl. No. 29/462,129, filed Jul. 31, 2013.
 Xiaojian Chen et al., "Portion of a Golf Club Head," U.S. Appl. No. 29/468,702, filed Oct. 2, 2013.
 Anthony D. Serrano et al., "Portion of a Golf Club Head," U.S. Appl. No. 29/468,706, filed Oct. 2, 2013.
 Anthony D. Serrano et al., "Golf Club Head," U.S. Appl. No. 29/470,602, filed Oct. 23, 2013.

* cited by examiner

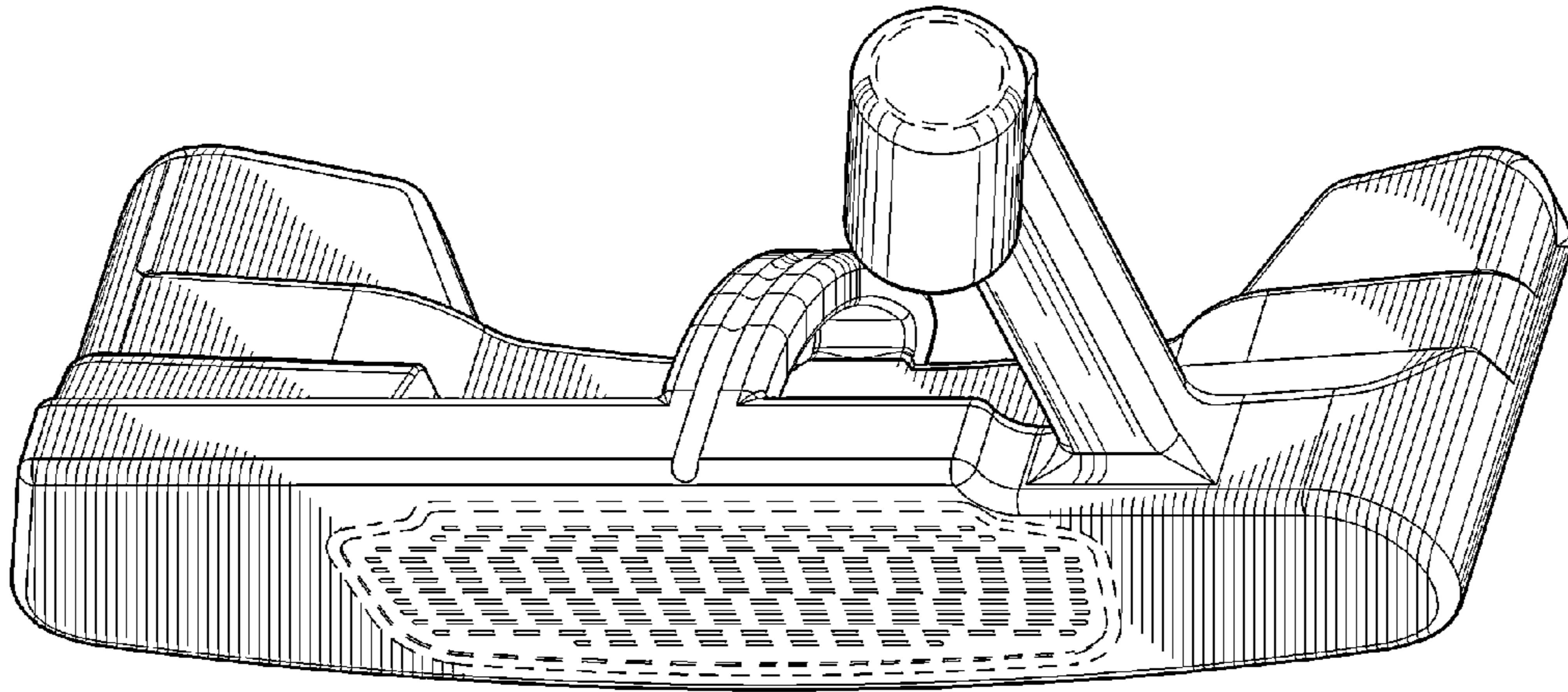


Fig. 1

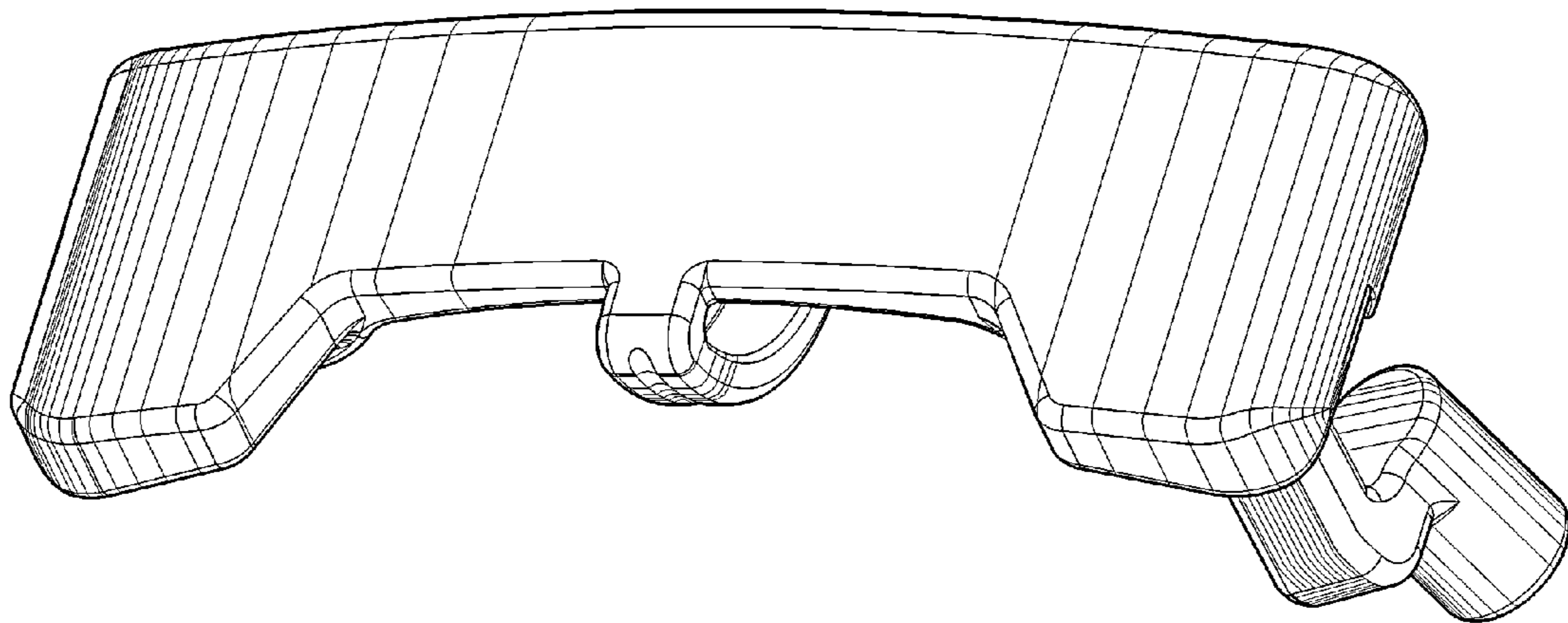


Fig. 2

Fig. 3

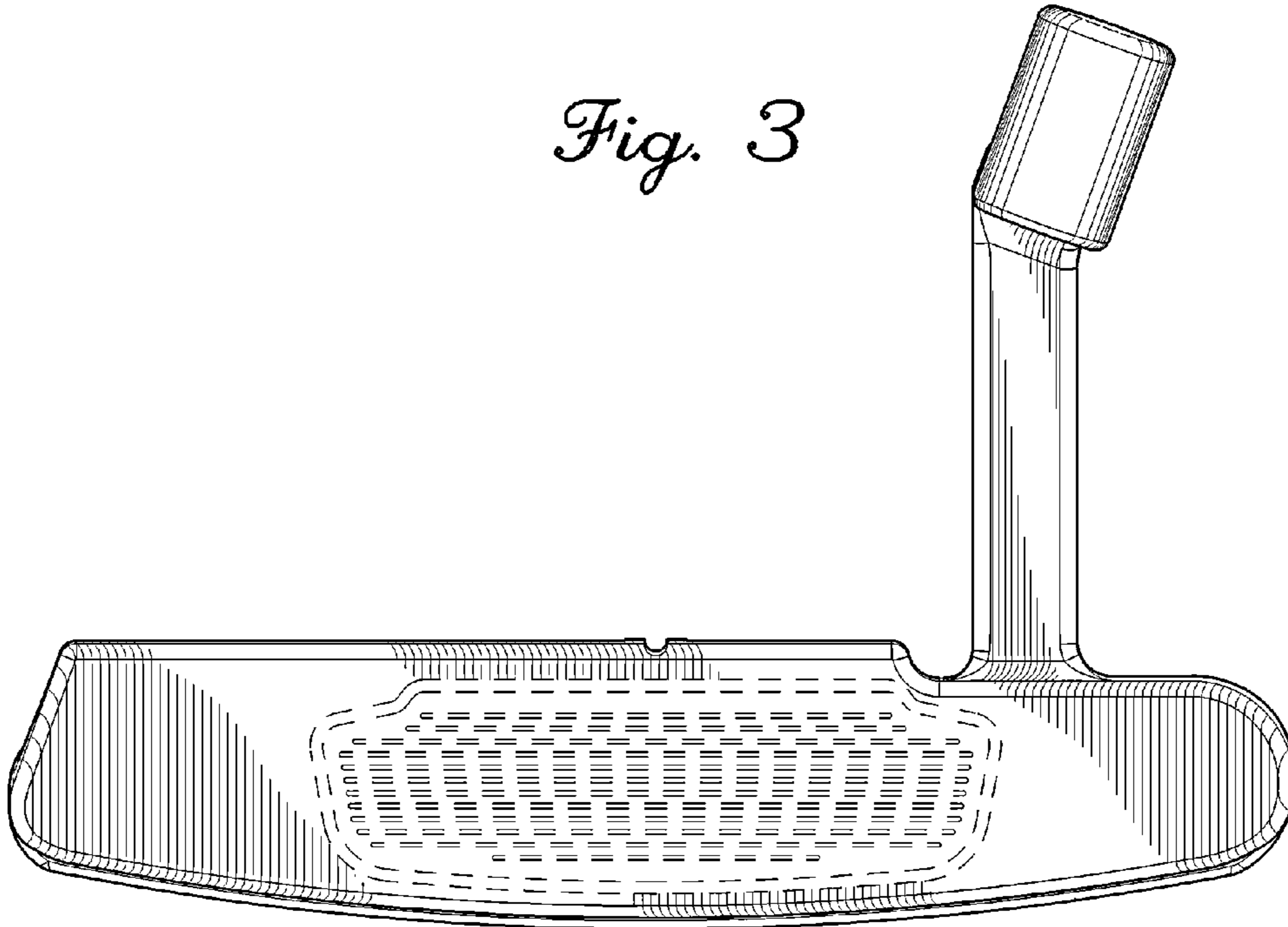
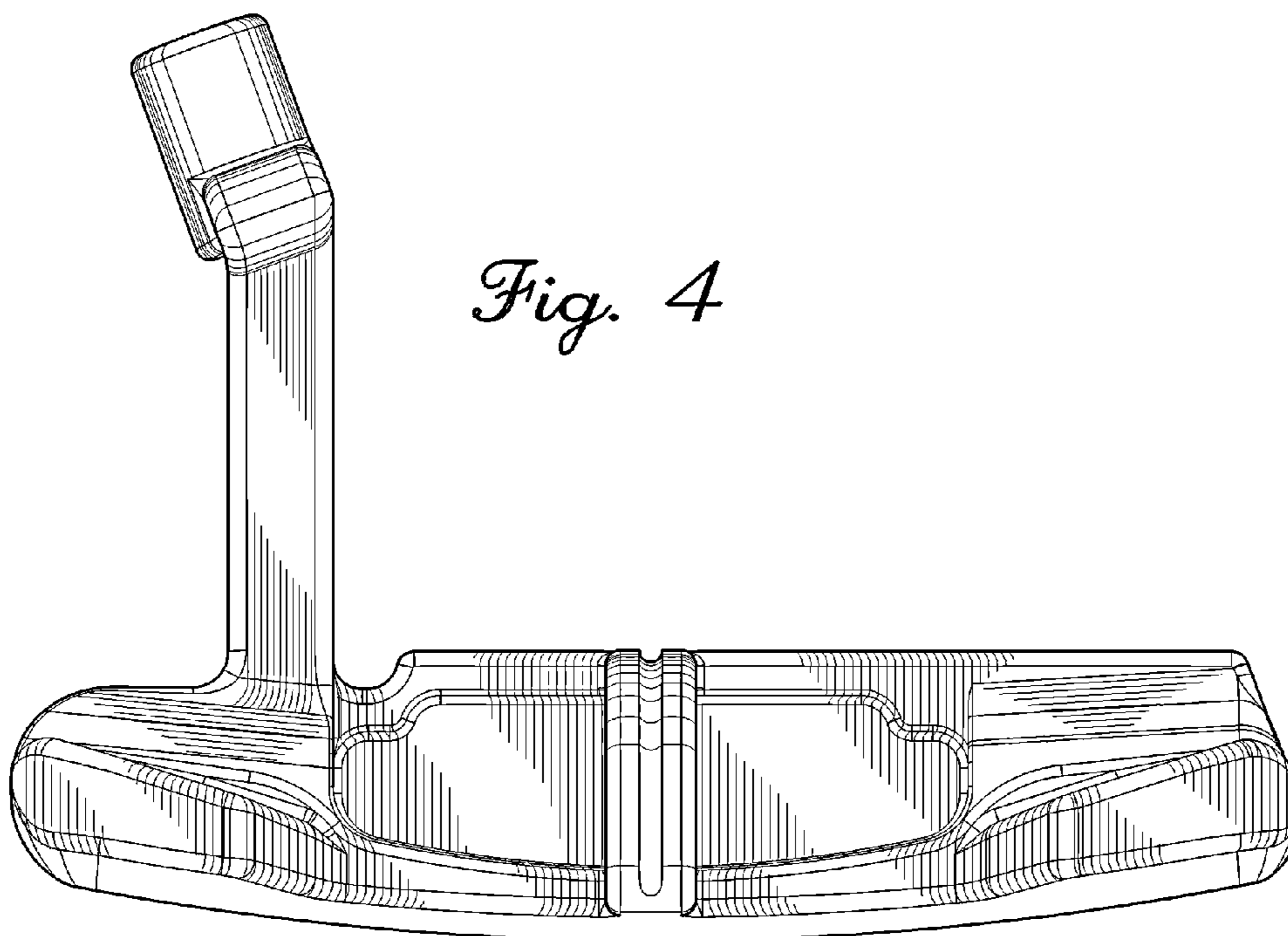


Fig. 4



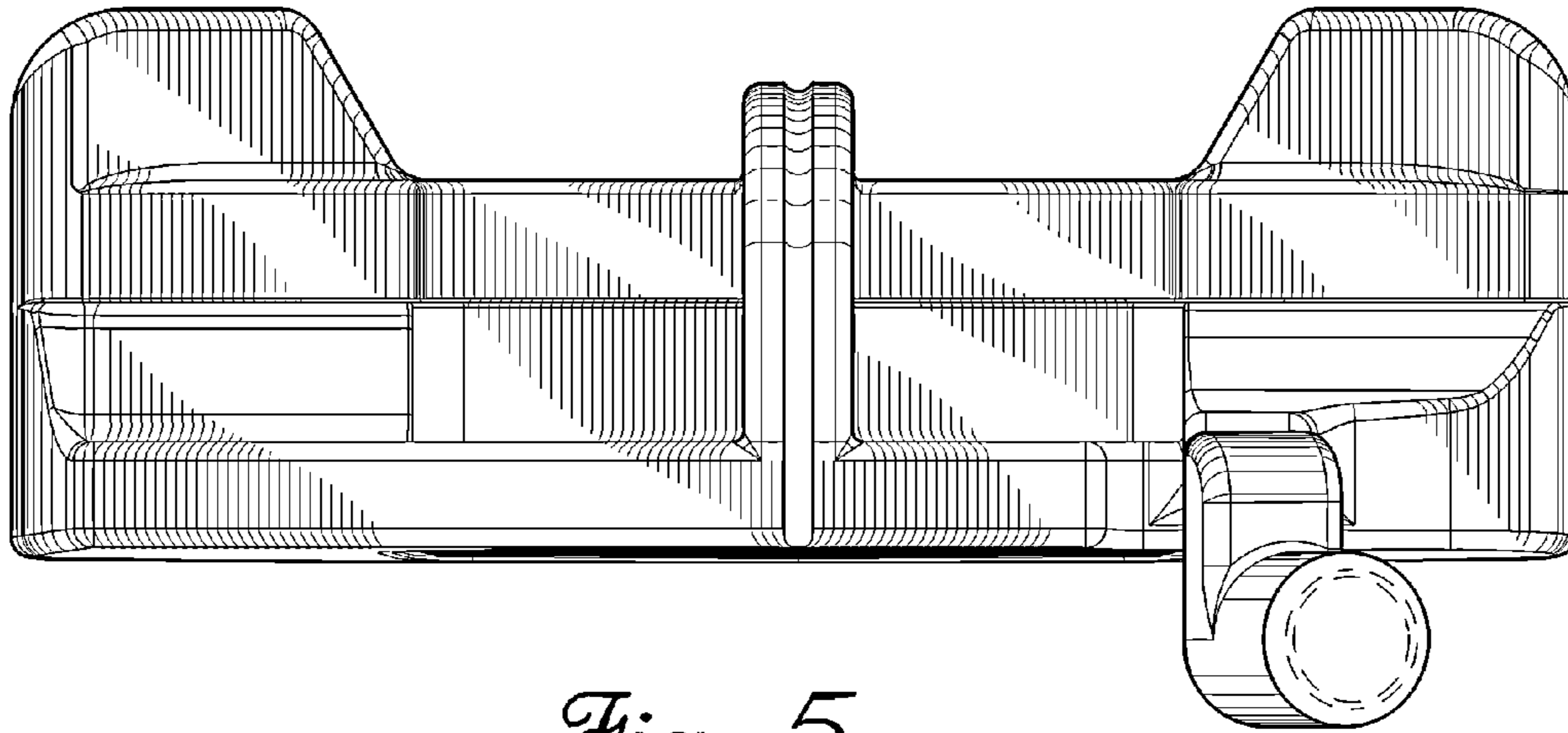


Fig. 5

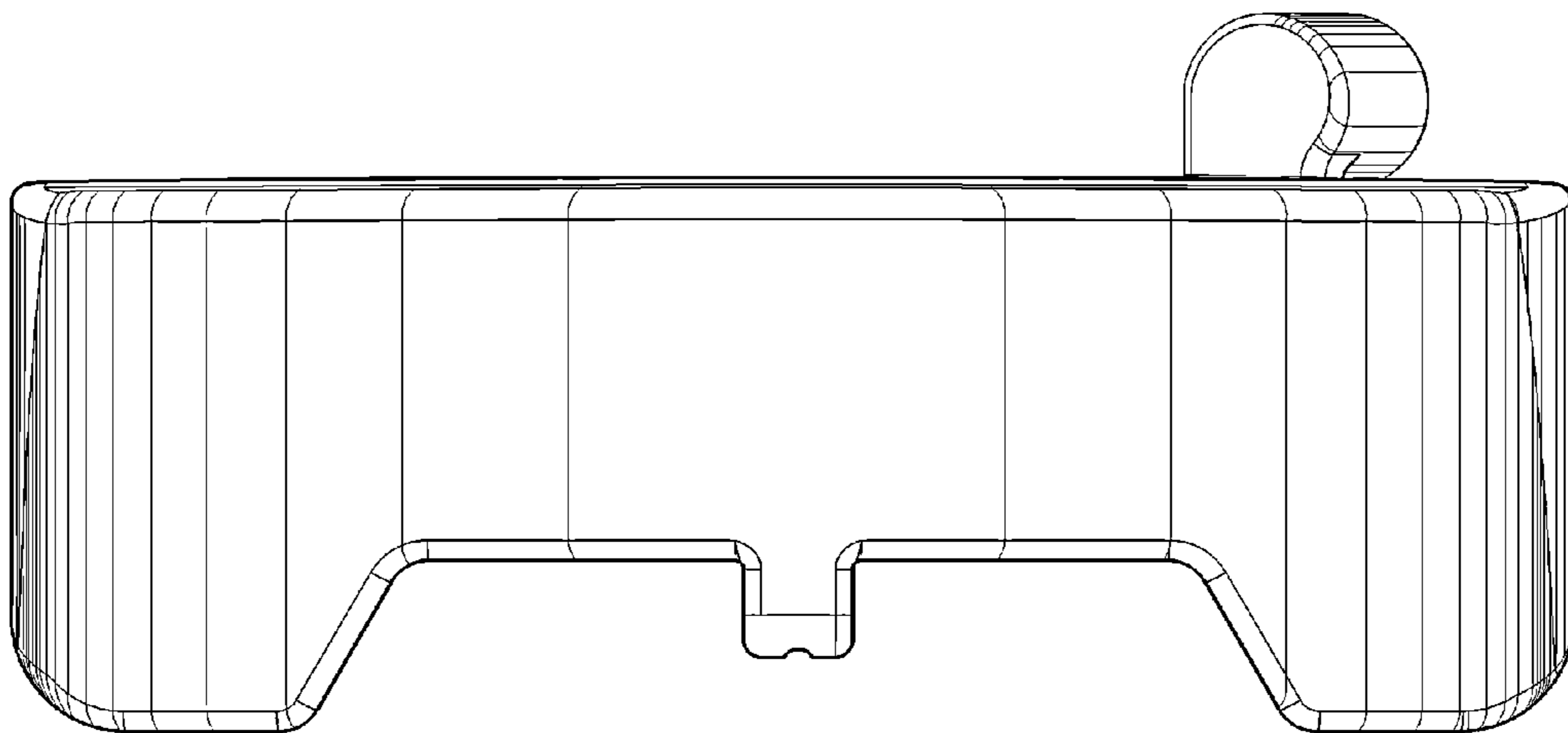


Fig. 6

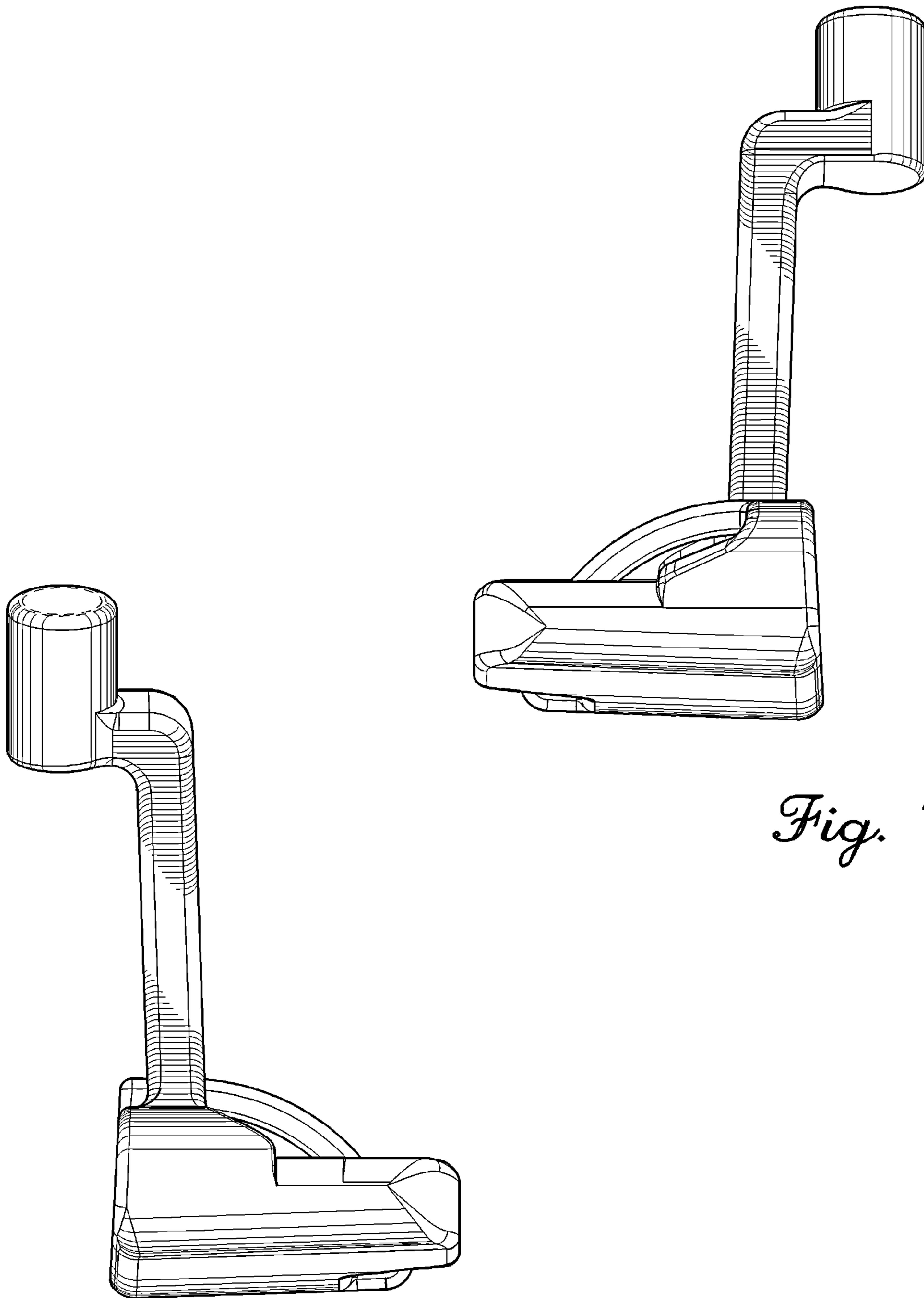


Fig. 7

Fig. 8