



US00D735281S

(12) **United States Design Patent**  
**Janisse et al.**

(10) **Patent No.:** **US D735,281 S**  
(45) **Date of Patent:** **\*\* Jul. 28, 2015**

(54) **LACROSSE SHAFT**

(71) Applicant: **Warrior Sports, Inc.**, Warren, MI (US)

(72) Inventors: **Richard J. Janisse**, Windsor (CA);  
**Jessica L. Hanson**, Royal Oak, MI (US)

(73) Assignee: **Warrior Sports, Inc.**, Warren, MI (US)

(\*\*) Term: **14 Years**

(21) Appl. No.: **29/499,687**

(22) Filed: **Aug. 18, 2014**

(51) **LOC (10) Cl.** ..... **21-02**

(52) **U.S. Cl.**  
USPC ..... **D21/724**

(58) **Field of Classification Search**  
USPC ..... D21/724, 756-757  
CPC ..... A63B 59/02; A63B 65/12  
See application file for complete search history.

(56) **References Cited**

U.S. PATENT DOCUMENTS

2,150,737	A *	3/1939	Chittick	.....	473/315
D236,639	S *	9/1975	Kanne	.....	D21/757
D236,735	S *	9/1975	Bush	.....	D21/757
D263,248	S *	3/1982	Brine, Jr.	.....	D21/724
4,739,994	A *	4/1988	Lewis, Jr.	.....	473/513
5,651,744	A *	7/1997	Millon et al.	.....	473/513
5,749,798	A *	5/1998	Kuebler et al.	.....	473/549
6,752,730	B1 *	6/2004	Brine et al.	.....	473/513
6,949,037	B2	9/2005	Enos et al.		
6,960,144	B2 *	11/2005	Tucker, Sr.	.....	473/513
D534,227	S *	12/2006	Lee	.....	D21/724
7,201,678	B2 *	4/2007	Filice et al.	.....	473/513
D544,932	S *	6/2007	Scott	.....	D21/724
D558,289	S *	12/2007	Main	.....	D21/757
D565,140	S	3/2008	Appleton et al.		
D567,890	S	4/2008	Appleton et al.		
D579,069	S *	10/2008	Gedeon	.....	D21/757
D581,474	S	11/2008	Dickie et al.		
D581,475	S	11/2008	Dickie et al.		
D589,099	S *	3/2009	Purnell	.....	D21/724

D589,101	S *	3/2009	Dickie et al.	.....	D21/757
D589,102	S *	3/2009	Dickie et al.	.....	D21/757
D606,146	S *	12/2009	Gedeon	.....	D21/757

(Continued)

OTHER PUBLICATIONS

Rabil Dolo Diamond 13, Warrior Dolomite 13, Warrior Krypto Pro 13, Warrior Kryptolite Neon, Warrior Titan '92, Warrior Titan Pro 10, Warrior Titan Classic 10, Warrior Krypto Blam 11, Lacrosse.com Catalog, Nov. 2012, p. AA1719.

(Continued)

Primary Examiner — Mitchell Siegel

(74) *Attorney, Agent, or Firm* — Warner Norcross & Judd LLP

(57) **CLAIM**

The ornamental design for lacrosse shaft, as shown and described.

**DESCRIPTION**

FIG. 1 is an upper perspective view of the lacrosse shaft of a current embodiment;

FIG. 2 is a left side elevational view thereof, the right side elevational view being a minor image thereof;

FIG. 3 is a top plan view thereof, the bottom plan view being a mirror image thereof;

FIG. 4 is a front elevational view thereof;

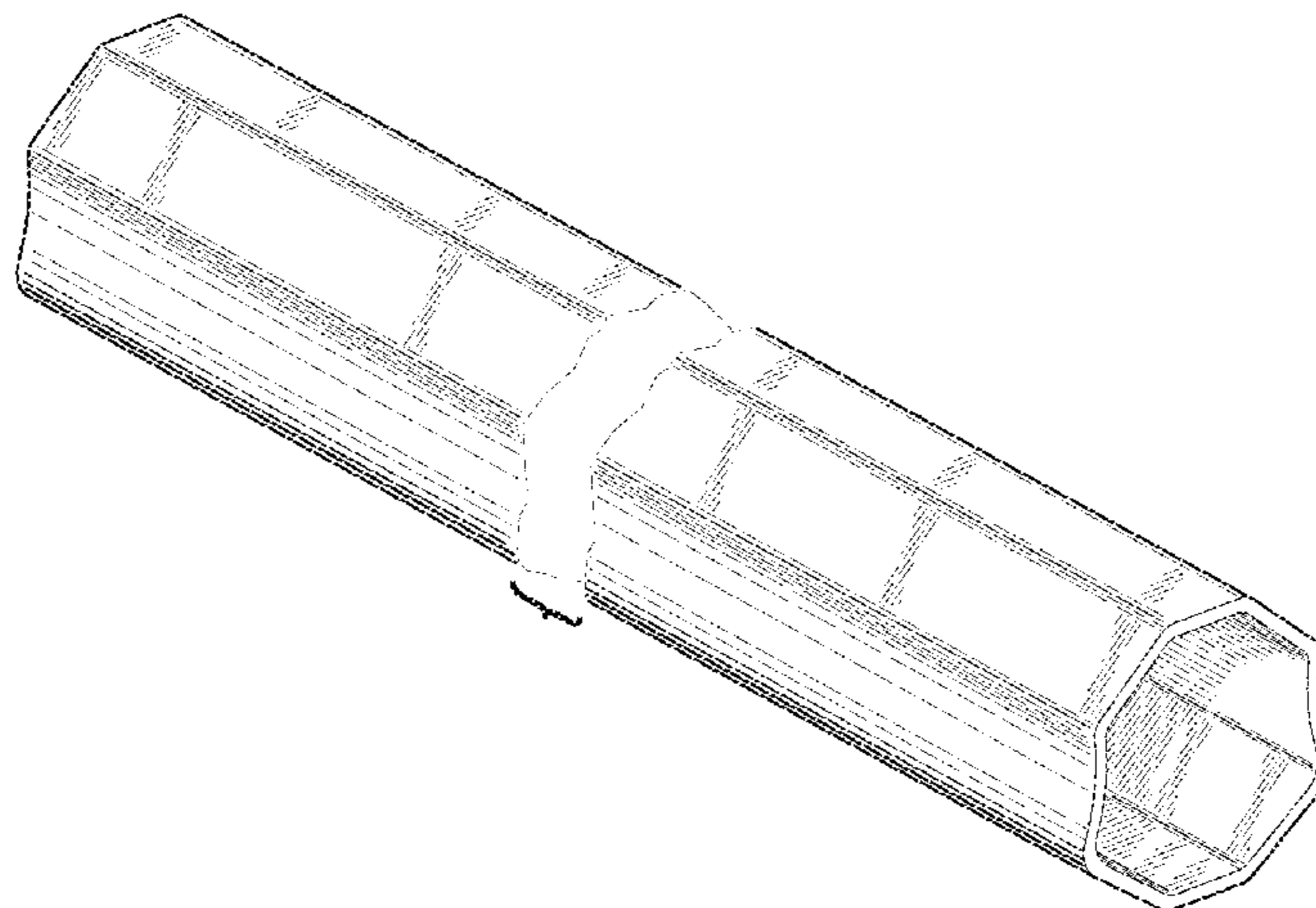
FIG. 5 is a rear elevational view thereof; and,

FIG. 6 is a perspective view of the lacrosse shaft in an environment including a lacrosse head.

FIGS. 1-6 show features of a lacrosse shaft in phantom lines. These features are shown for environmental purposes and do not form any part of the claimed design. The phantom lines immediately adjacent the solid-line portions of the design form the boundary of the design, with the phantom lines forming no part of the claimed design.

Portions of the claimed design are shown separated and bound by a bracket to indicate indeterminate length.

**1 Claim, 3 Drawing Sheets**



(56)

**References Cited**

U.S. PATENT DOCUMENTS

D607,069 S \* 12/2009 Baxter et al. .... D21/724  
 7,828,680 B2 11/2010 Pfeifer  
 D629,478 S 12/2010 Appleton et al.  
 D631,117 S 1/2011 Appleton et al.  
 8,052,549 B2 11/2011 Sykora  
 D688,342 S \* 8/2013 Tucker et al. .... D21/757  
 2005/0130773 A1 \* 6/2005 Hayden et al. .... 473/513

OTHER PUBLICATIONS

Warrior Krypto Diamond 13, Warrior Kryptolyte—Bombs, Warrior Krypto Elements—Trout, Warrior Krypto Elements—School, Warrior Kryptolyte II, Warrior Platinum 11, Warrior Dubs, Warrior Analog 600, Warrior Krypto Relentless 27, Lacrosse.com Catalog, Nov. 2012, p. AA1720.  
 Brine F15, Brine Scandium, Brine F55 Friction, Brine F55 Limited Edition, Brine F55, Brine Swizzle Scandium, Lacrosse.com Catalog, Nov. 2012, p. AA1721.  
 Brine F22, Brine King TI Classic, Brine Swizzbeat 7075 Alloy, Brine A6000, Brine Headstrong F22, Brine Headstrong Swizzle Scandium, Brine Headstrong Swizzbeat 7075 Alloy, Lacrosse.com Catalog, Nov. 2012, p. AA1722.

STX Stallion SC-TI, STX Surgeon SC-TI, STX Surgeon Limited Edition Scrub Green, STX Scandium Pro, STX Outlet, STX Alliance, STX Katana, STX Katana Scandium, STX Scandium Pro Grip, Lacrosse.com Catalog, Nov. 2012, p. AA1723.

STX Sabre, STX Steel 7000, STX Force Scandium, STX Amp, Maverik A1, Maverik H2, Maverik Mynt, Maverik Boost, Maverik Wonder Boy, Maverik Hemi, Lacrosse.com Catalog, Nov. 2012, p. AA1724.

Under Armour SC1X, Under Armour Juke Attack, Under Armour Attack SC-TI Enhanced Alloy Shaft, Under Armour Control, Under Armour Baltiflage Scandium Enhanced Alloy, Under Armour Player Scandium Enhanced Alloy, Under Armour 7075, Under Armour Revenant Titanium Enhanced Alloy, Under Armour Demolish Zirconium/Titanium Enhanced Alloy, Under Armour Baltiflage, Under Armour Baltiflage SC Limited Edition, Reebok 7K Zendium Pro, Reebok 10K 0-Tech 5.0.5, Lacrosse.com Catalog, Nov. 2012, p. AA1725.

Reebok Black, Reebok 7K Zendium-Pro, Reebok 6K Zendium, Gait EM5, Gait Scandal, Gait 803, Gait Ice, Easton Stealth Scandium+Grip, Easton Stealth Scandium+Alloy, Nike Vapor, Nike Vandal, Nike Sprint, Nike Pursuit, Nike Pursuit SC, Lacrosse.com Catalog, Nov. 2012, p. AA1726.

\* cited by examiner

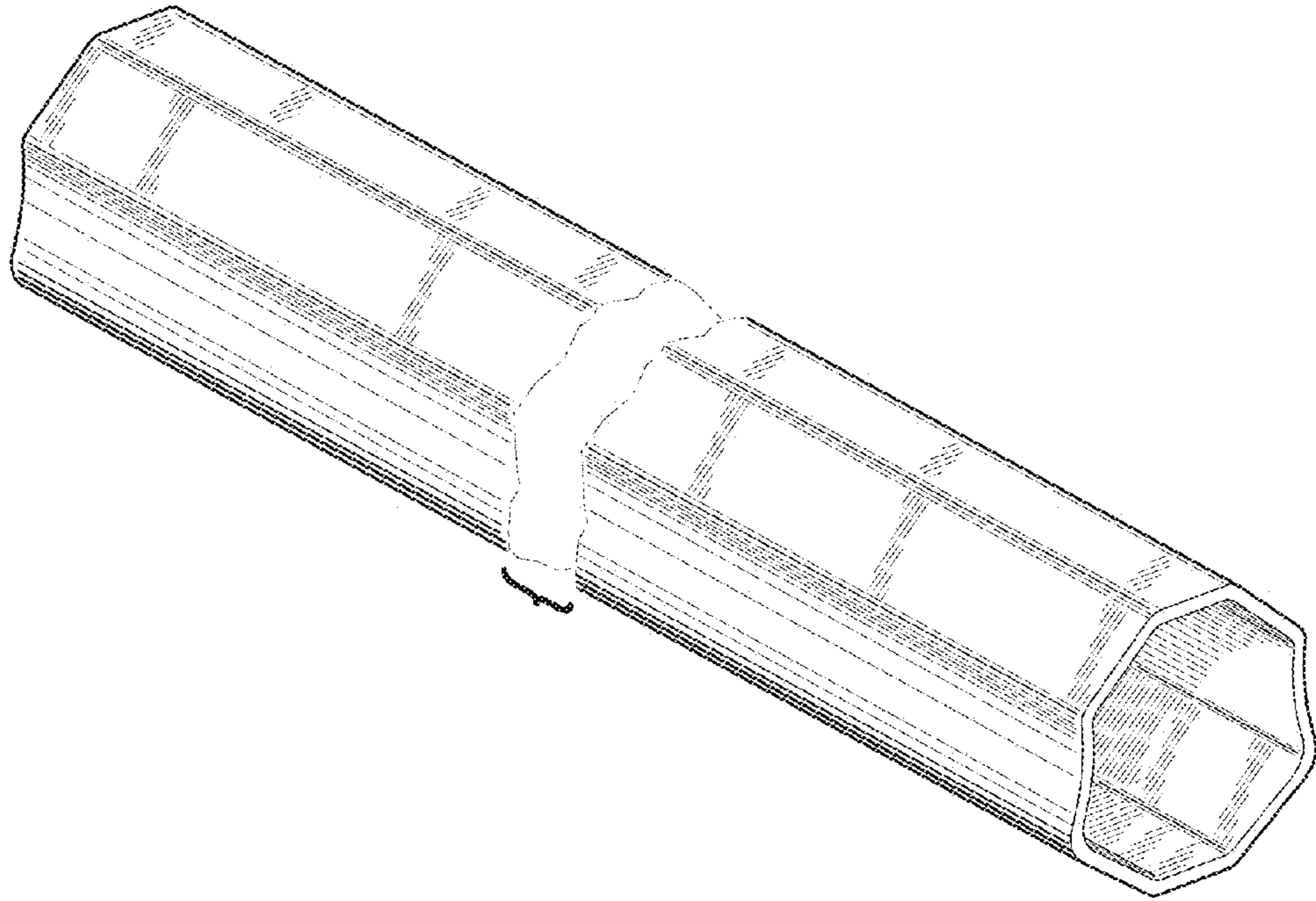


Fig. 1

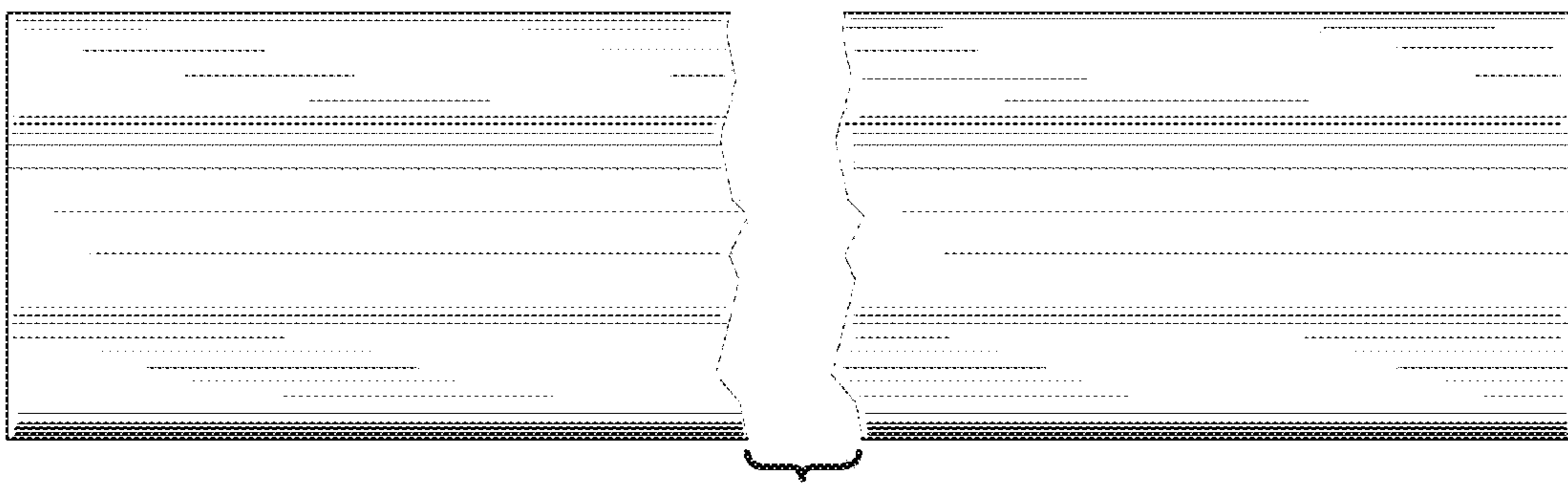


Fig. 2

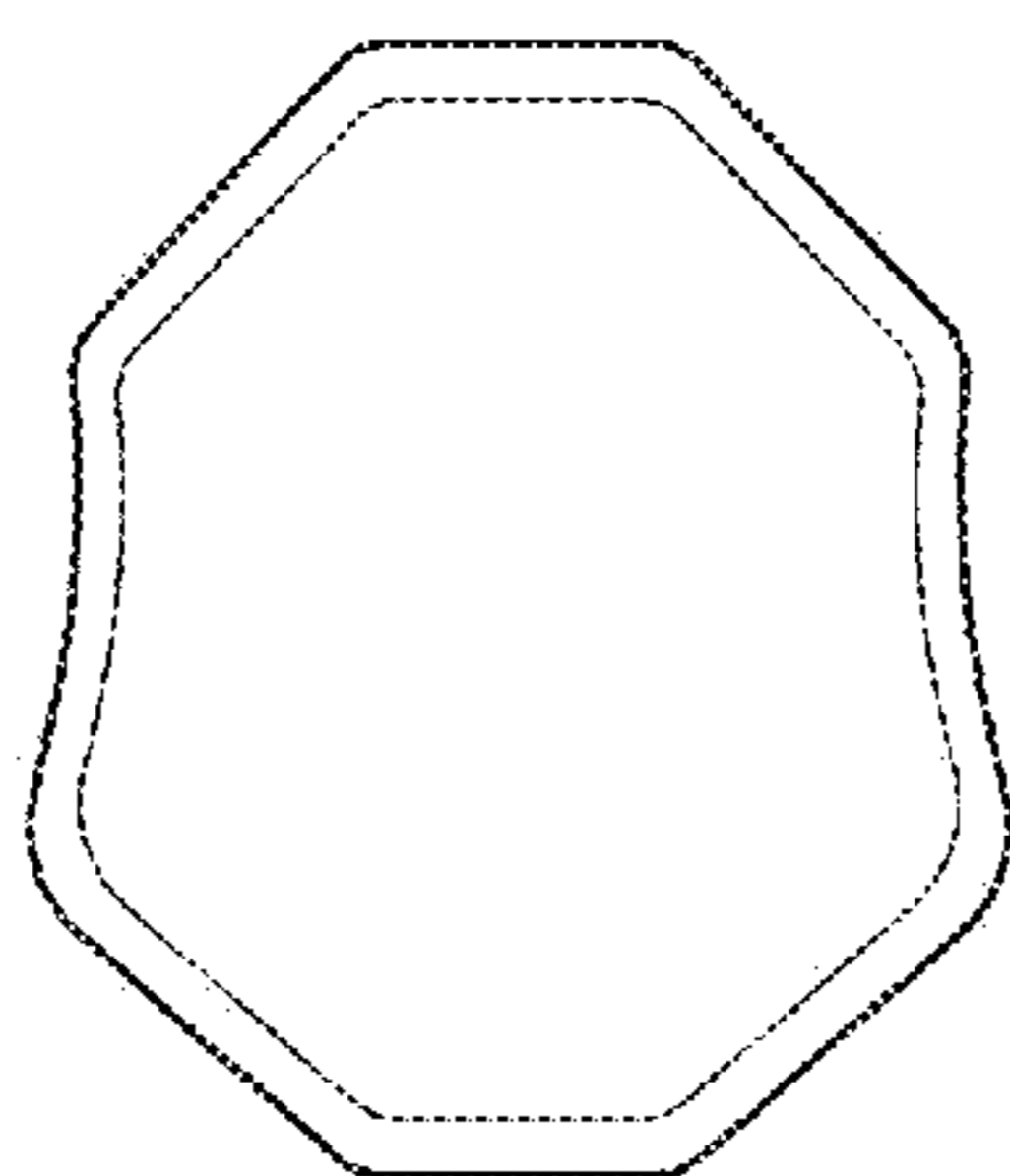


Fig. 3

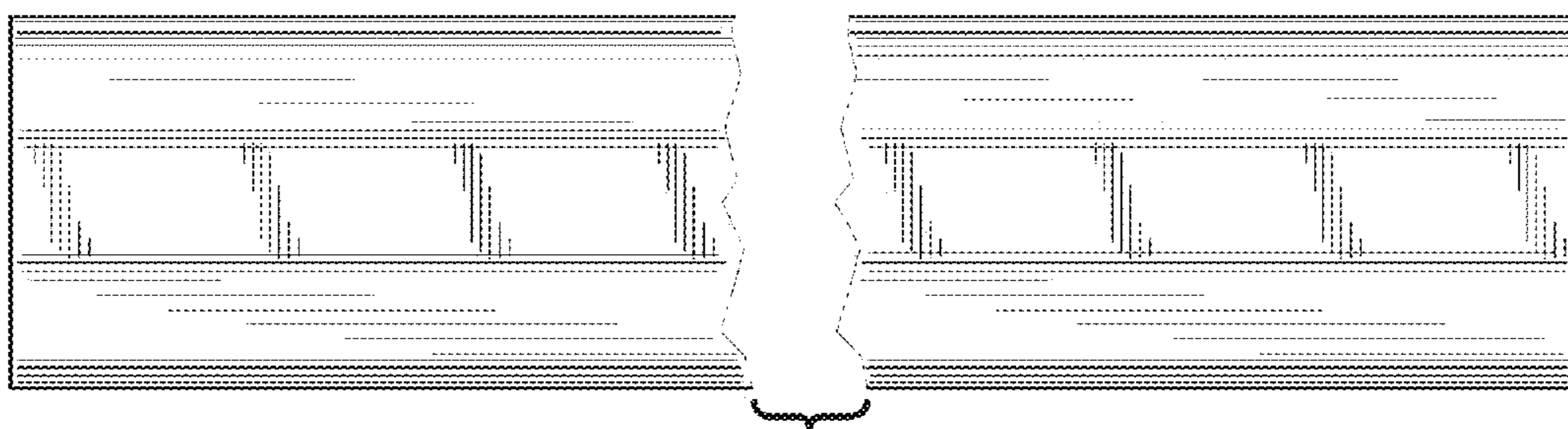


Fig. 4

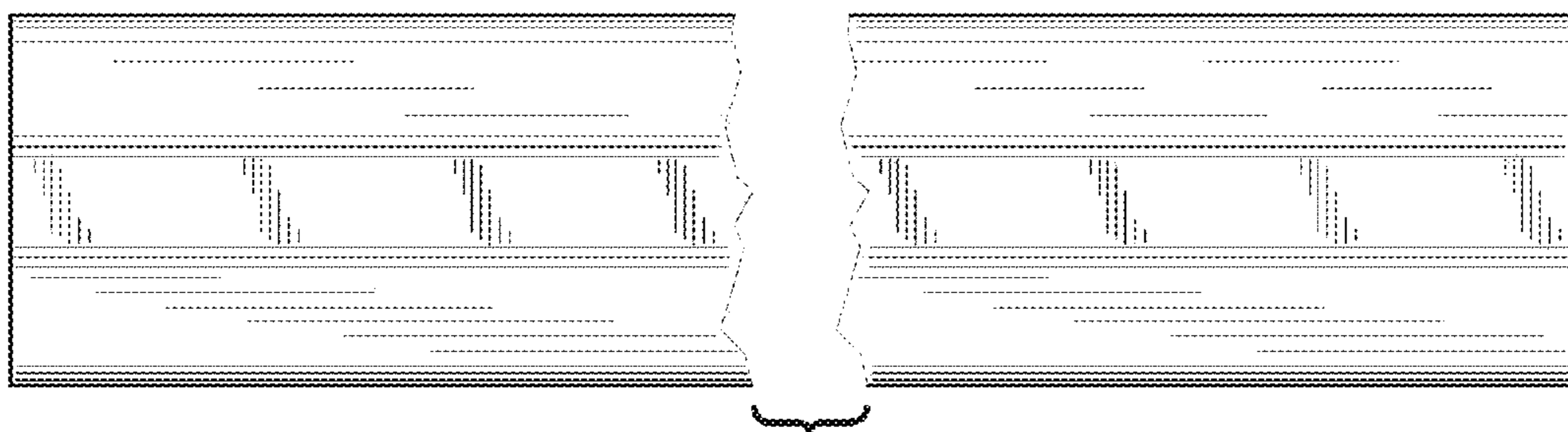


Fig. 5

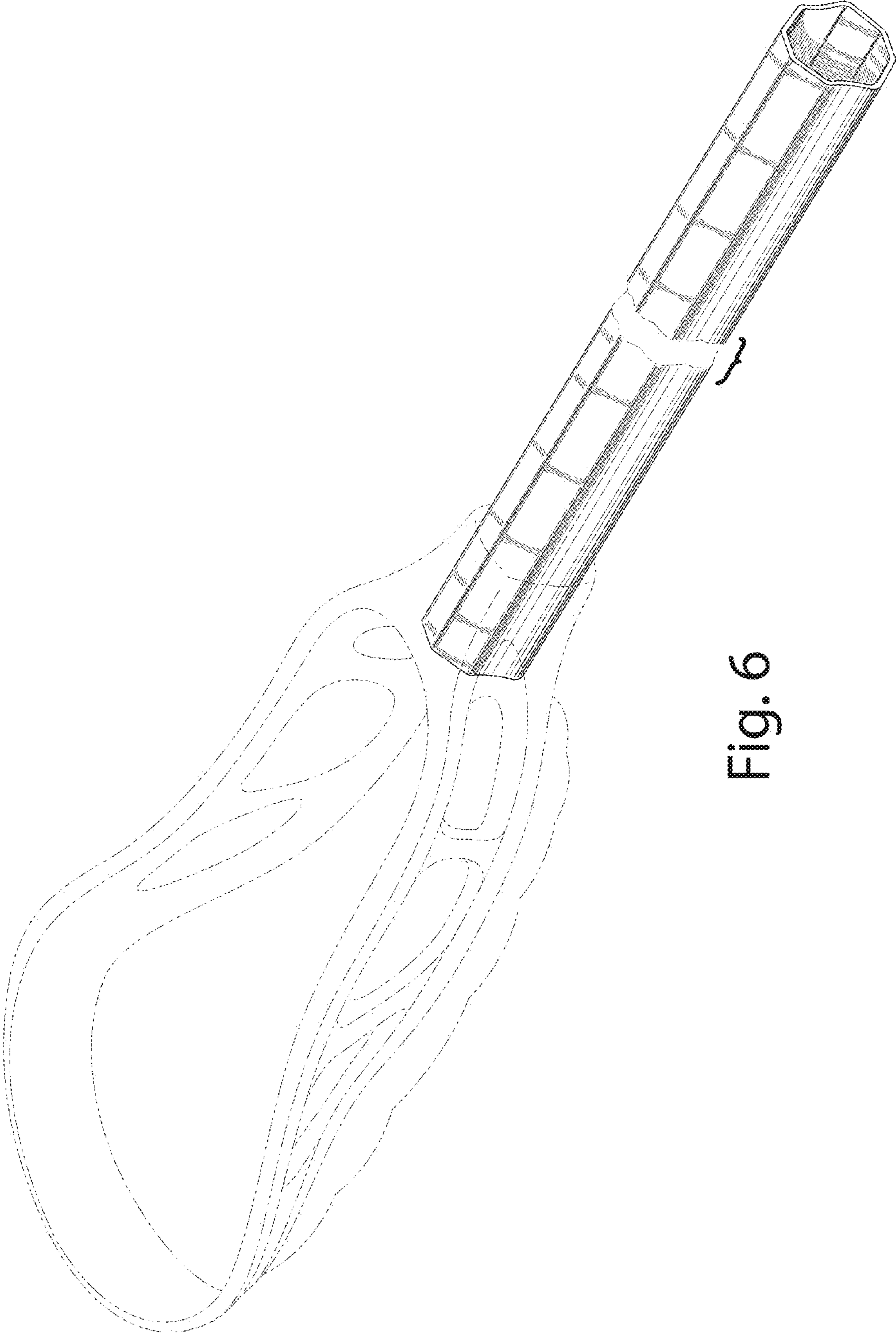


Fig. 6

UNITED STATES PATENT AND TRADEMARK OFFICE  
**CERTIFICATE OF CORRECTION**

PATENT NO. : D735,281 S  
APPLICATION NO. : 29/499687  
DATED : July 28, 2015  
INVENTOR(S) : Richard J. Janisse et al.

Page 1 of 1

It is certified that error appears in the above-identified patent and that said Letters Patent is hereby corrected as shown below:

Title Page

In the Description, Fig. 2, Line 2:

“minor” should be -- mirror --

Signed and Sealed this  
Twenty-third Day of February, 2016



Michelle K. Lee  
*Director of the United States Patent and Trademark Office*