



US00D735279S

(12) **United States Design Patent**  
**Scheffer**

(10) **Patent No.:** **US D735,279 S**

(45) **Date of Patent:** **\*\* Jul. 28, 2015**

(54) **UPRIGHT ELEMENT FOR A NET FRAME**

(75) Inventor: **Grant Scheffer**, Mount Pleasant, SC  
(US)

(73) Assignee: **Genmove USA, LLC**, Charleston, SC  
(US)

(\*\*) Term: **14 Years**

(21) Appl. No.: **29/418,267**

(22) Filed: **Apr. 13, 2012**

(51) **LOC (10) Cl.** ..... **21-02**

(52) **U.S. Cl.**  
USPC ..... **D21/699**

(58) **Field of Classification Search**  
USPC ..... D21/301–305, 679, 691, 694, 699,  
D21/701–705, 715, 814, 826; D3/305, 306;  
D6/329, 331, 396, 397, 455, 458, 462,  
D6/475, 491, 495, 499, 512, 524, 525, 534,  
D6/551, 552; D8/349, 354, 373, 376, 380;  
D25/38.1, 43, 126, 127, 131, 132;  
D34/1, 5, 6; D32/36, 37, 58; D30/108,  
D30/114–117, 119; 473/415, 416, 422,  
473/431–433, 438–489, 503; 273/317, 348,  
273/394, 398, 400, 401, 402, 407; 220/9.4,  
220/475, 668, 741, 904, 908.1, 918, 919;  
211/85.7, 85.15, 182; 248/95, 97, 98,  
248/99; 383/13, 16, 33

See application file for complete search history.

(56) **References Cited**

U.S. PATENT DOCUMENTS

4,157,801	A *	6/1979	Elmer	.....	248/97
4,356,933	A *	11/1982	Connolly	.....	220/9.4
D277,884	S *	3/1985	Offutt	.....	D21/702
5,183,226	A *	2/1993	Brooks	.....	248/97
D371,587	S *	7/1996	Braun	.....	D21/705
D422,391	S *	4/2000	Whitlock	.....	D34/6
D478,939	S *	8/2003	McReynolds	.....	D21/302
7,083,055	B1 *	8/2006	Ambrosat	.....	211/85.7
7,540,814	B2 *	6/2009	Dilling	.....	473/478
7,815,372	B2 *	10/2010	Stanton et al.	.....	383/104
2004/0214666	A1 *	10/2004	Dilling	.....	473/470
2005/0197197	A1 *	9/2005	Scott	.....	473/173

\* cited by examiner

*Primary Examiner* — Catherine Tuttle

(74) *Attorney, Agent, or Firm* — Alston & Bird LLP

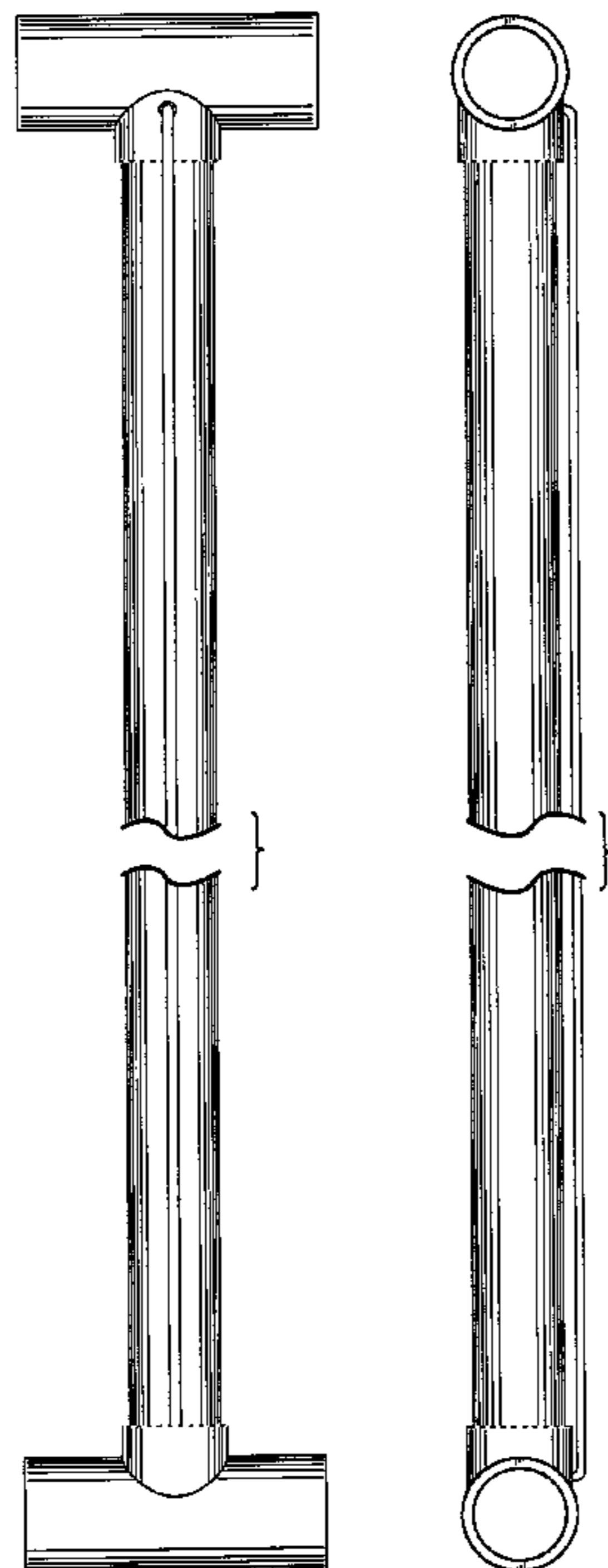
(57) **CLAIM**

The ornamental design for an upright element for a net frame, as shown and described.

**DESCRIPTION**

FIG. 1 is a front elevation view of an embodiment of an upright element for a net frame according to our new design; FIG. 2 is a rear elevation view thereof; FIG. 3 is a left side elevation view thereof; FIG. 4 is a right side elevation view thereof; FIG. 5 is a top plan view thereof; and, FIG. 6 is a bottom plan view thereof. The broken lines immediately adjacent shaded areas represent the bounds of the claimed design while all other broken lines are directed to environment and are for illustrative purposes only; the broken lines form no part of the claimed design.

**1 Claim, 3 Drawing Sheets**



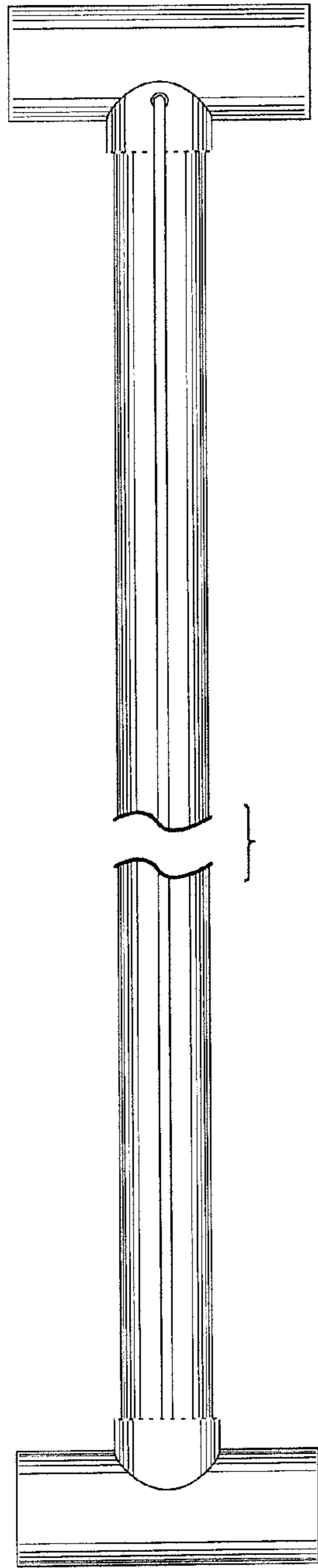


FIG. 1

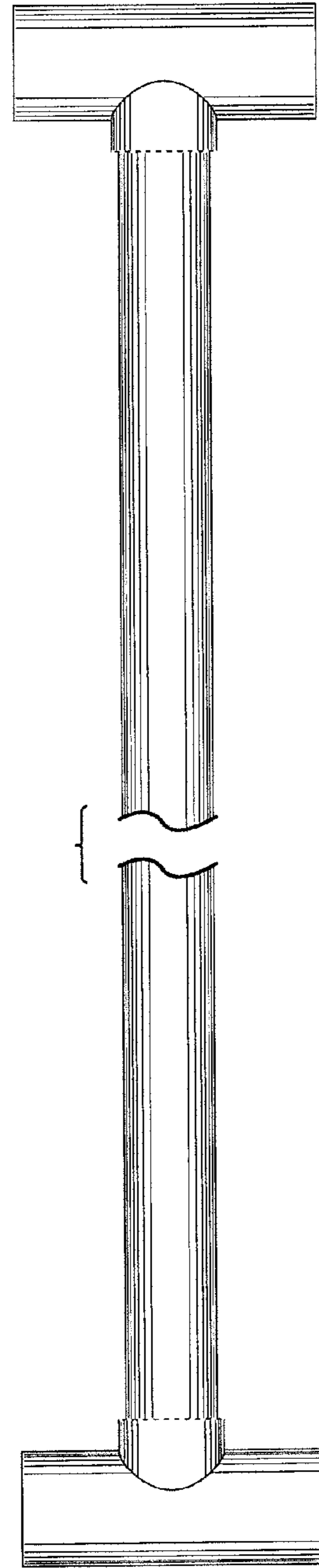


FIG. 2

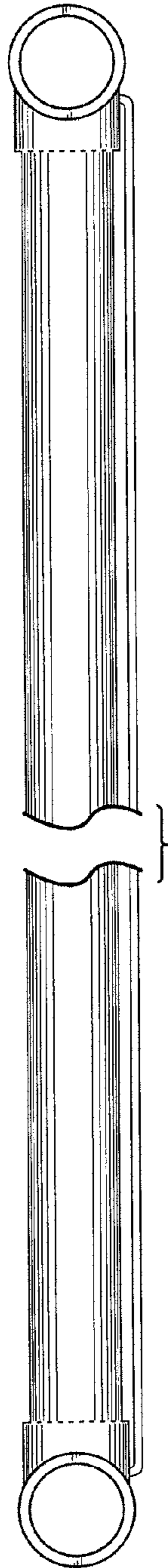


FIG. 3

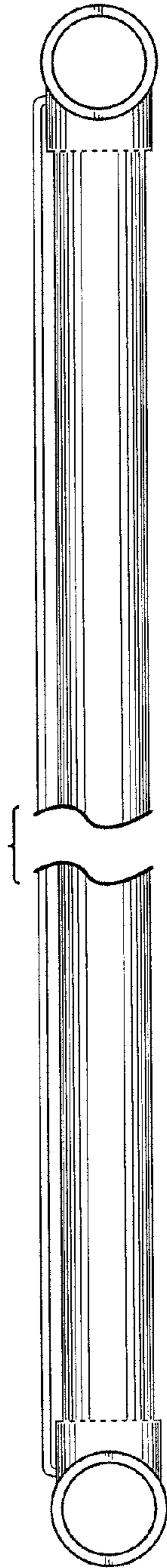


FIG. 4

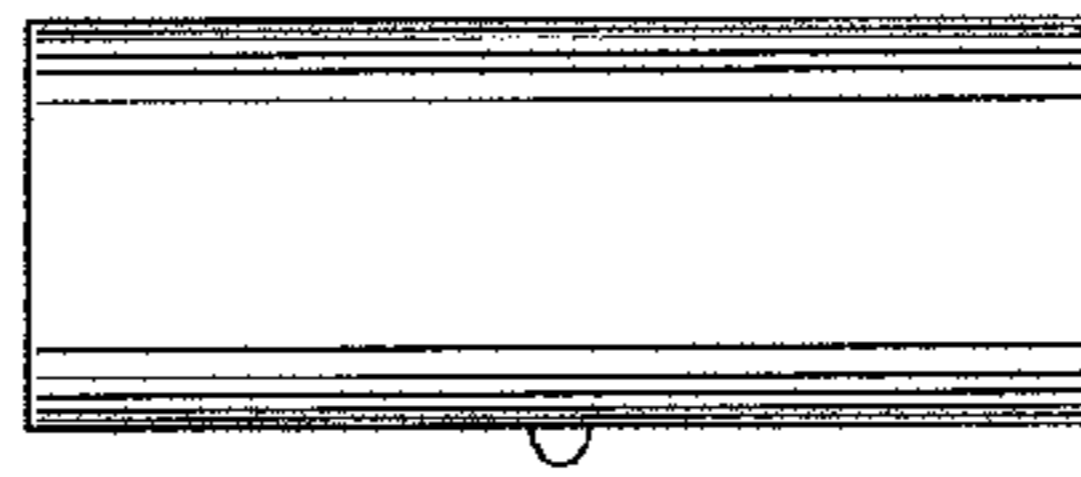


FIG. 5

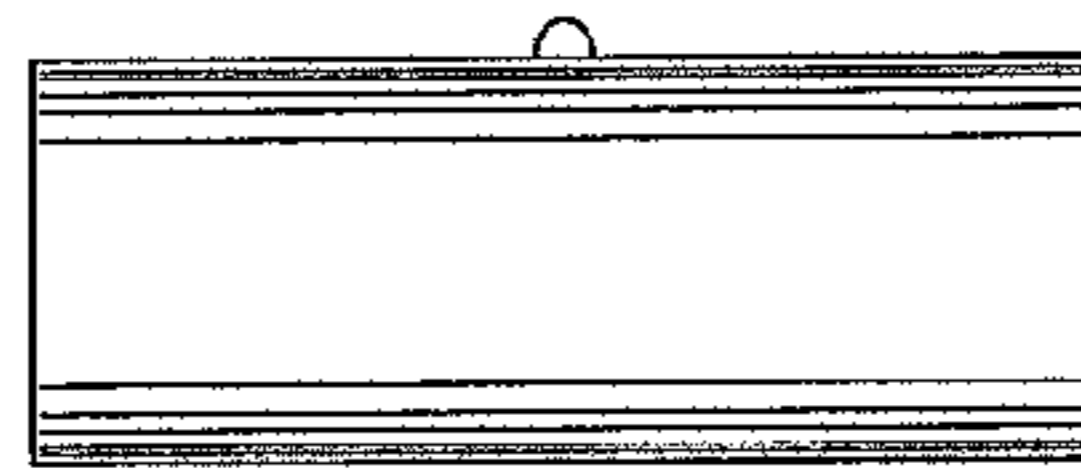


FIG. 6