



US00D735276S

(12) **United States Design Patent**  
**Radu**

(10) **Patent No.:** **US D735,276 S**  
(45) **Date of Patent:** **\*\* Jul. 28, 2015**

(54) **DOME PLAYHOUSE**

(71) Applicant: **Cornel Radu**, Des Plaines, IL (US)

(72) Inventor: **Cornel Radu**, Des Plaines, IL (US)

(\*\*) Term: **14 Years**

(21) Appl. No.: **29/448,534**

(22) Filed: **Mar. 13, 2013**

(51) **LOC (10) Cl.** ..... **21-01**

(52) **U.S. Cl.**

USPC ..... **D21/511**

(58) **Field of Classification Search**

USPC ..... D21/478, 479, 484, 499, 506, 511, 301,  
D21/436, 488, 498, 717, 713, 483; D1/106,  
D1/125, 199; 273/317.7, 362, 277, 276,  
273/156, 157, 160; 446/69, 105, 106, 121,  
446/122, 124, 126, 476

CPC ..... A63H 33/008

See application file for complete search history.

(56) **References Cited**

**U.S. PATENT DOCUMENTS**

D55,485 S *	6/1920	Payne	.....	D21/511
2,904,927 A *	9/1959	Katz	.....	446/105
D245,639 S *	8/1977	Powell, Jr.	.....	D21/511
D251,866 S *	5/1979	Christ	.....	D21/506
D335,904 S *	5/1993	Krebs	.....	D21/511
D376,830 S *	12/1996	Bess	.....	D21/717
D432,593 S *	10/2000	Naughton	.....	D21/511
D473,352 S *	4/2003	Neves	.....	D30/161
D474,864 S *	5/2003	Allegretti	.....	D30/160
D508,095 S *	8/2005	Greene	.....	D21/511
D702,891 S *	4/2014	Yang et al.	.....	D30/108
2013/0072086 A1 *	3/2013	Saneshige	.....	446/478
2013/0244538 A1 *	9/2013	Lindaman	.....	446/478

\* cited by examiner

*Primary Examiner* — Robert M Spear  
*Assistant Examiner* — Kendra L Hamilton

(57) **CLAIM**

The ornamental design for a dome playhouse, as shown and described.

**DESCRIPTION**

The present application is related to U.S. Pat. No. D286,307, issued Jul. 3, 1984, for Play House, by Joseph C. Roy, included by reference herein.

The present application is related to U.S. Pat. No. D302,836, issued Aug. 15, 1989, for Play House, by Joseph C. Roy, included by reference herein.

The present application is related to U.S. Pat. No. D351,637, issued Oct. 18, 1994, for Children's Playhouse, by Daniel A. Neiding, included by reference herein.

The present application is related to U.S. Pat. No. D501,232, issued Jan. 25, 2005, for Playhouse, by John C. Kirk, included by reference herein.

The present application is related to U.S. Pat. No. D533,605, issued Dec. 12, 2006, for Playhouse, by Oleksandr Krylevets, included by reference herein.

The present application is related to U.S. Pat. No. D569,450, issued May 20, 2008, for Play House by Glen H. Halliday, Jeffery L. Leighton, included by reference herein.

The present application is related to U.S. Pat. No. D594,070, issued Jun. 9, 2009, for Children's Playhouse, by Ray Dale Ridens, included by reference herein.

FIG. 1 is a top, front, and right side perspective view of a dome playhouse showing my new design;

FIG. 2 is a top, right side, and rear perspective view thereof;

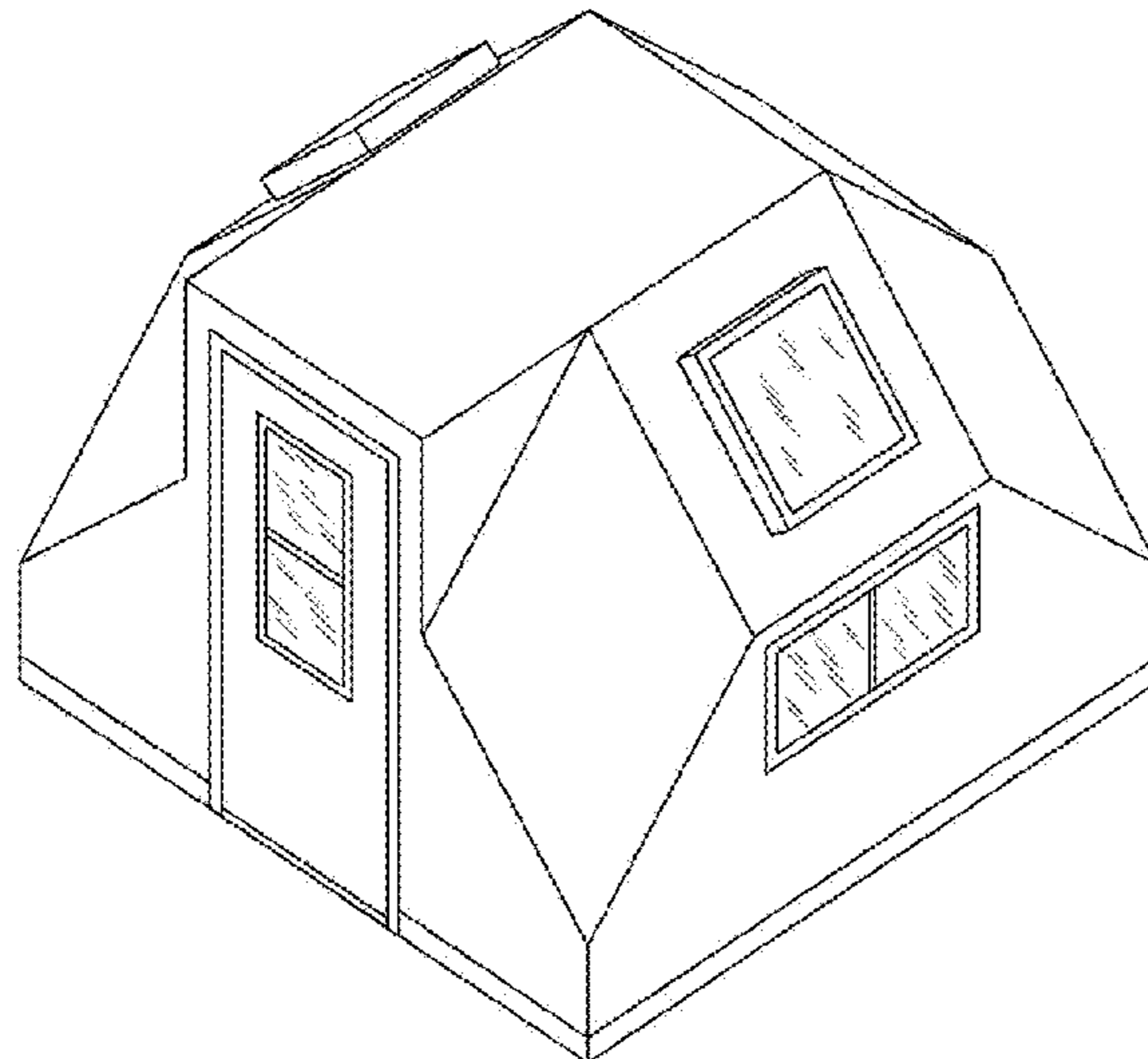
FIG. 3 is a front elevational view thereof;

FIG. 4 is a right side elevational view thereof, the left side elevational view being a mirror image thereof;

FIG. 5 is a rear elevational view thereof; and,

FIG. 6 is a top plan view thereof, the bottom plan view being only one flat plane.

**1 Claim, 2 Drawing Sheets**



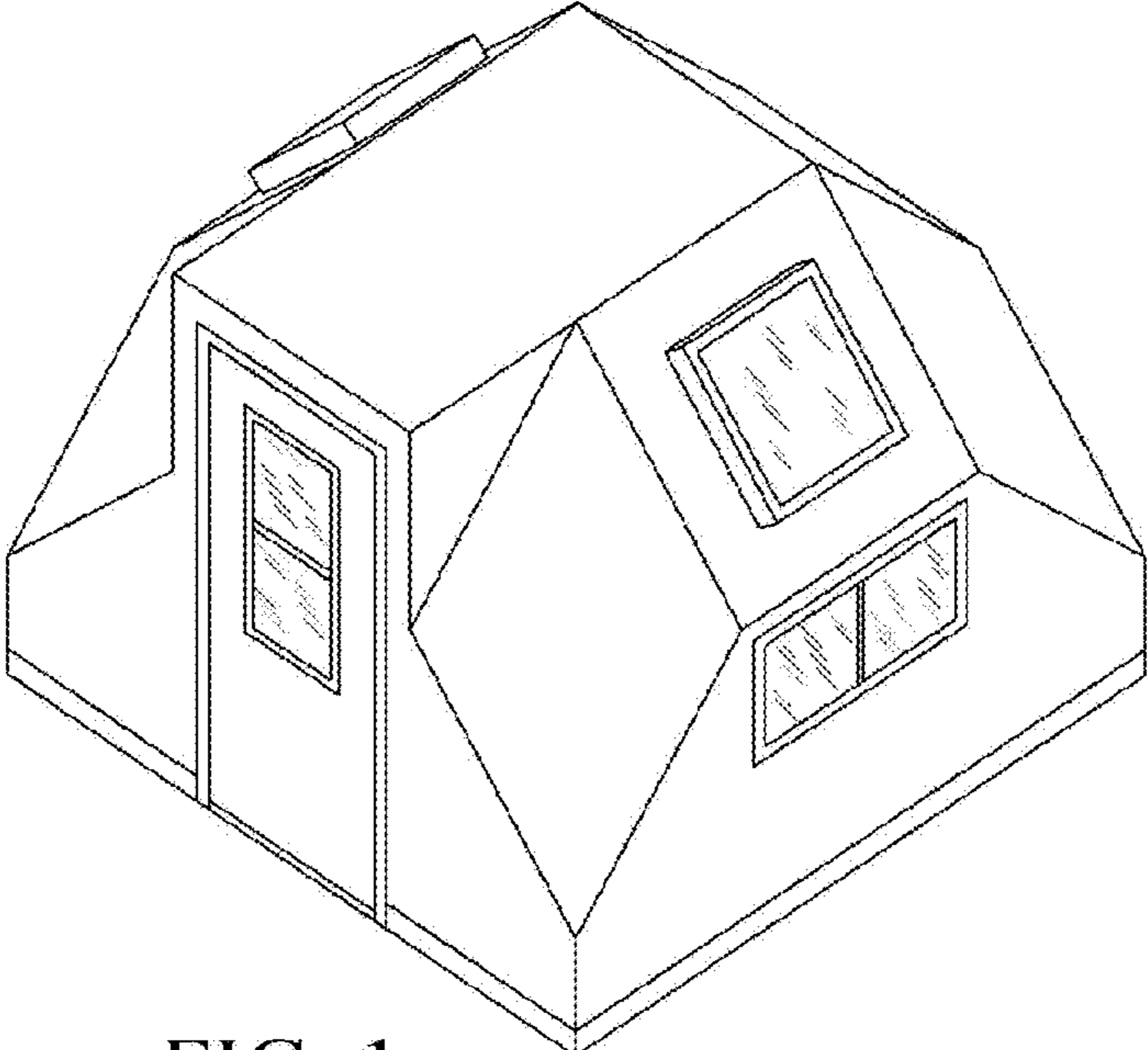


FIG. 1

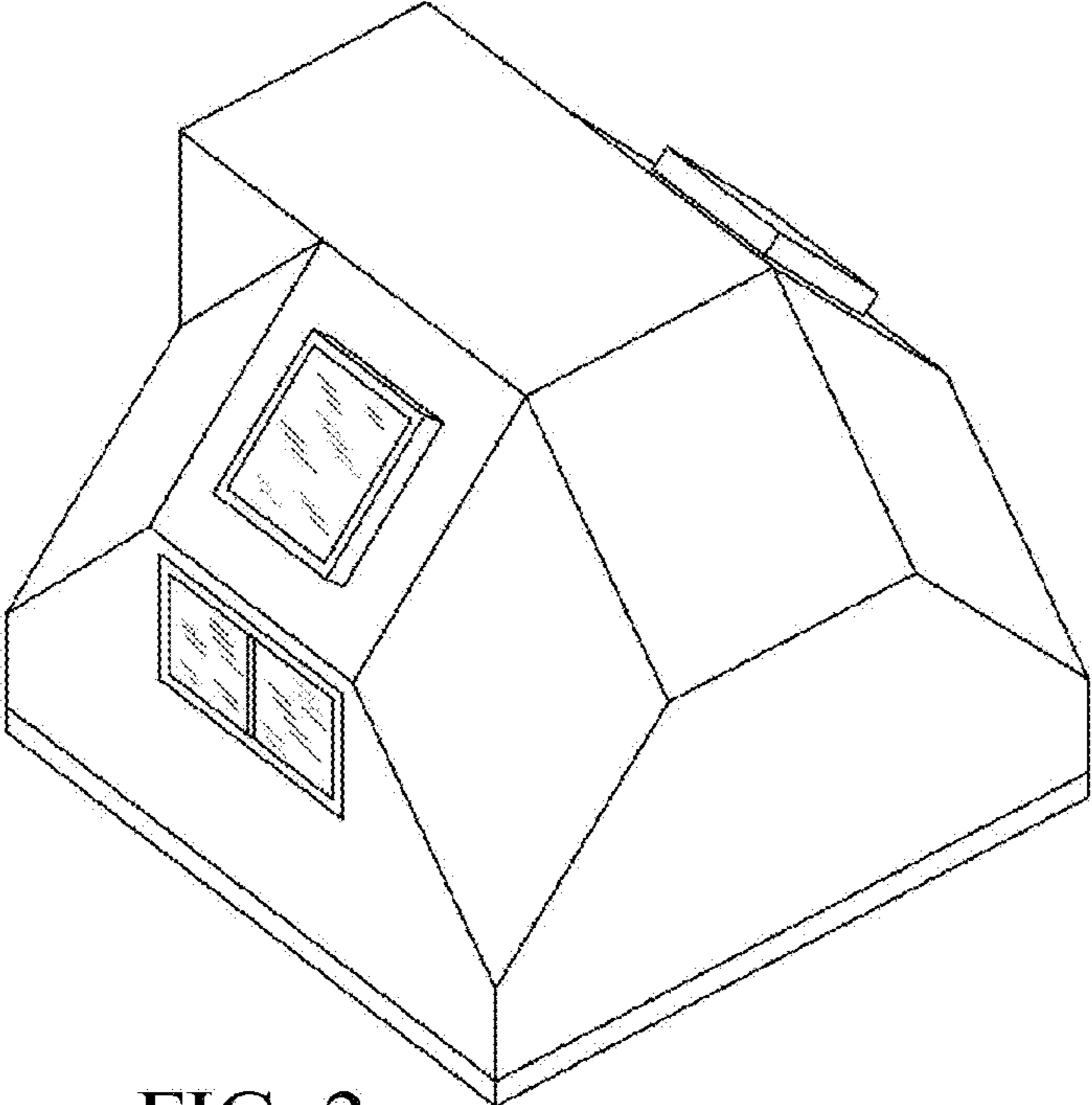


FIG. 2

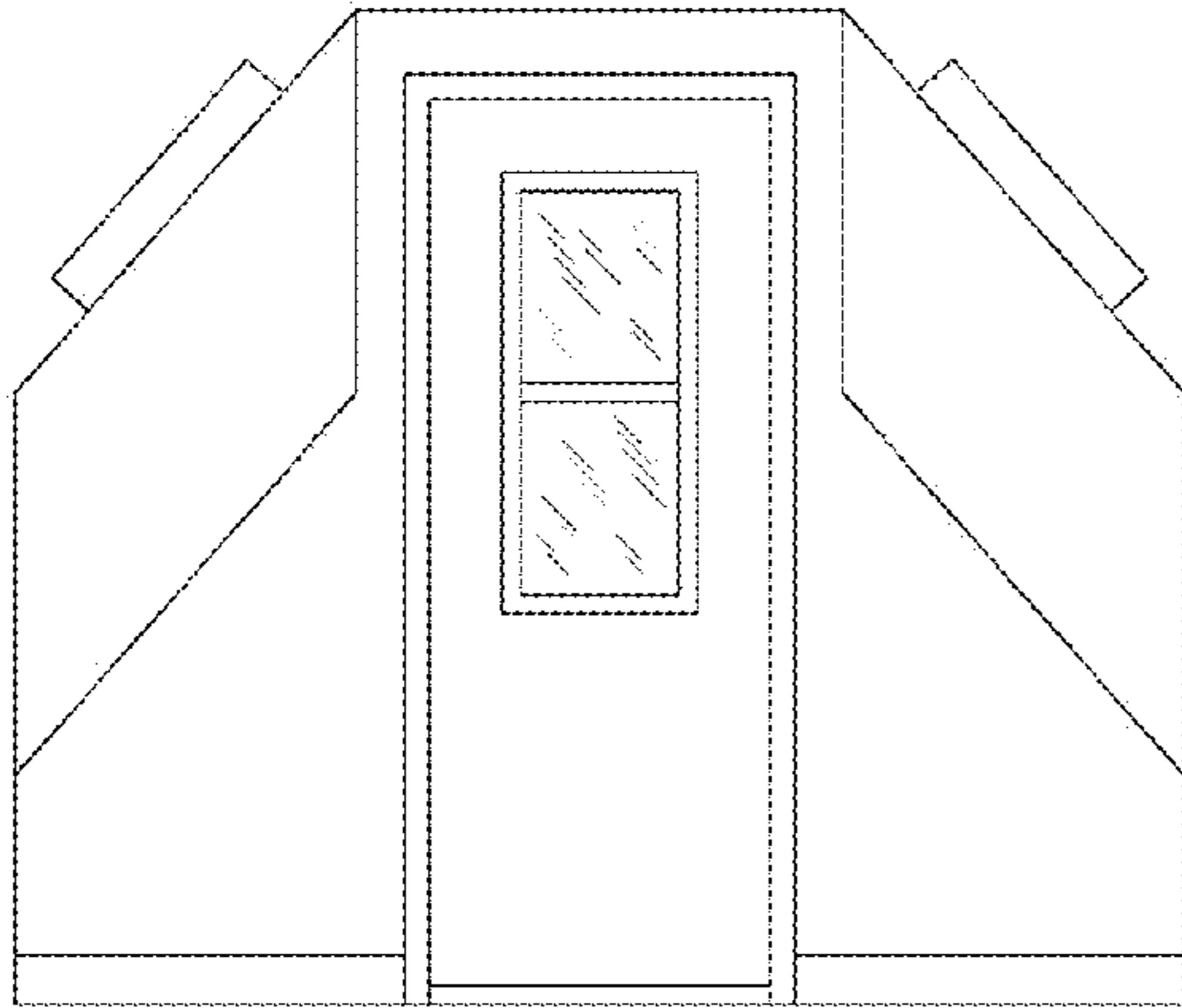


FIG. 3

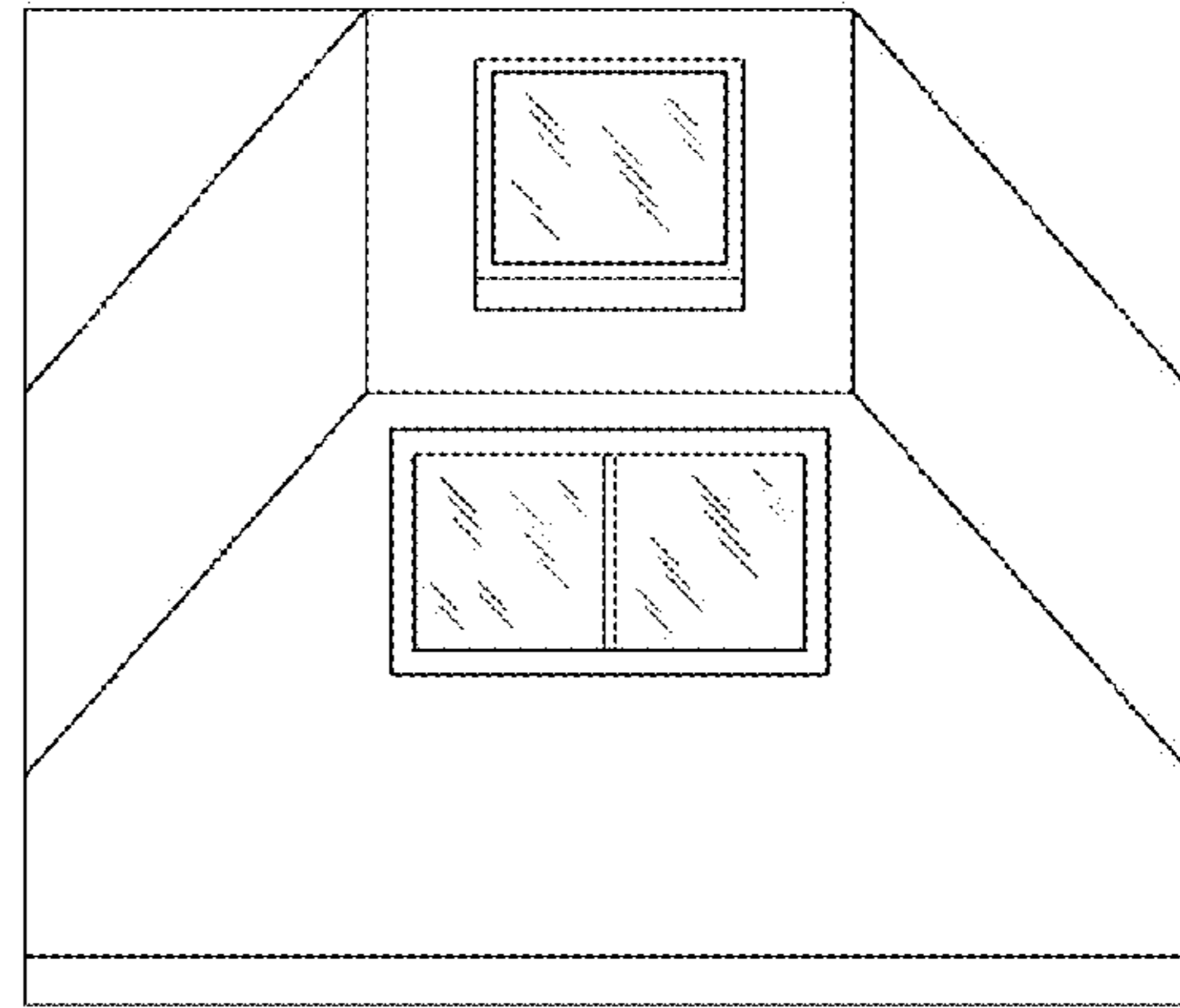


FIG. 4

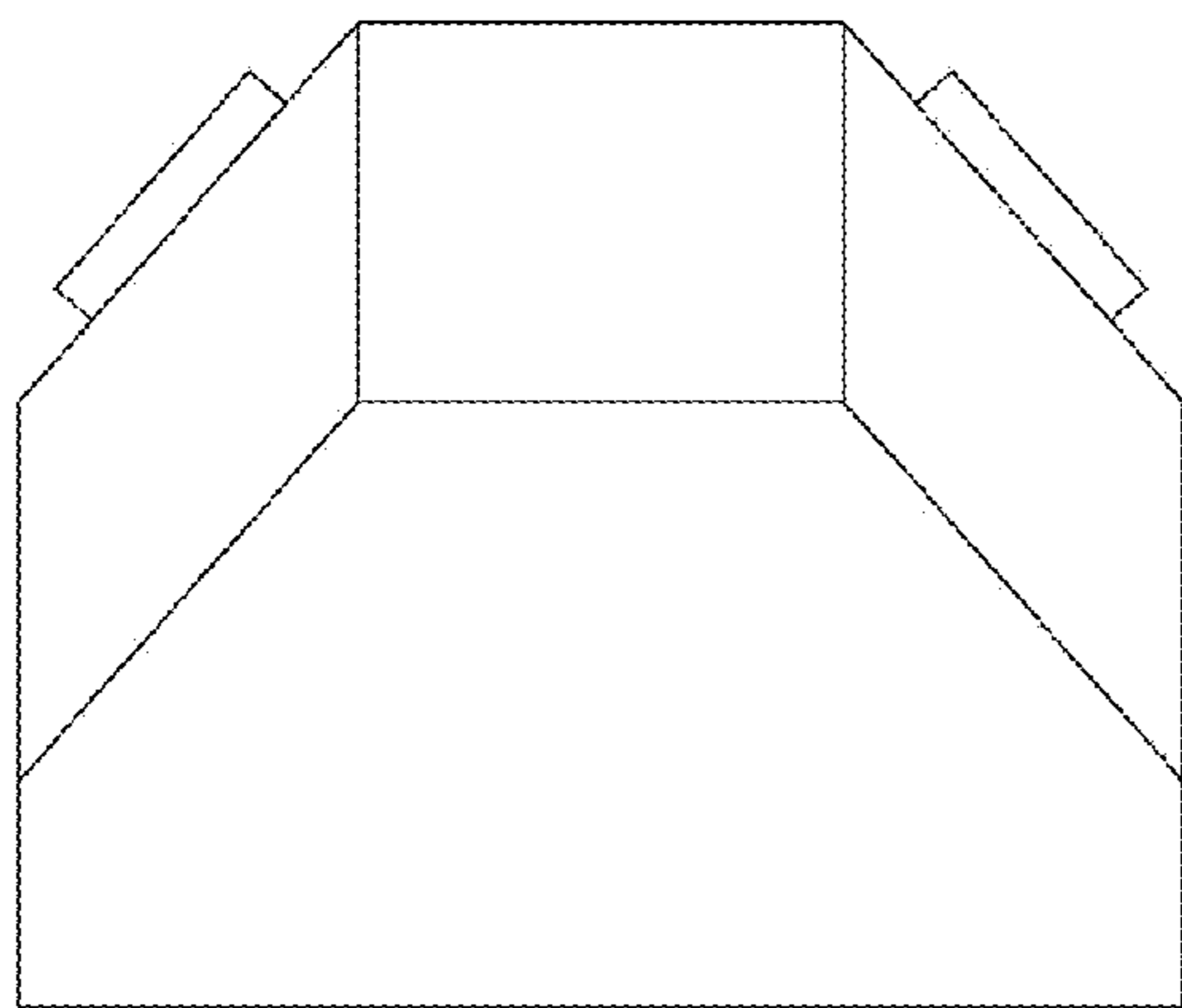


FIG. 5

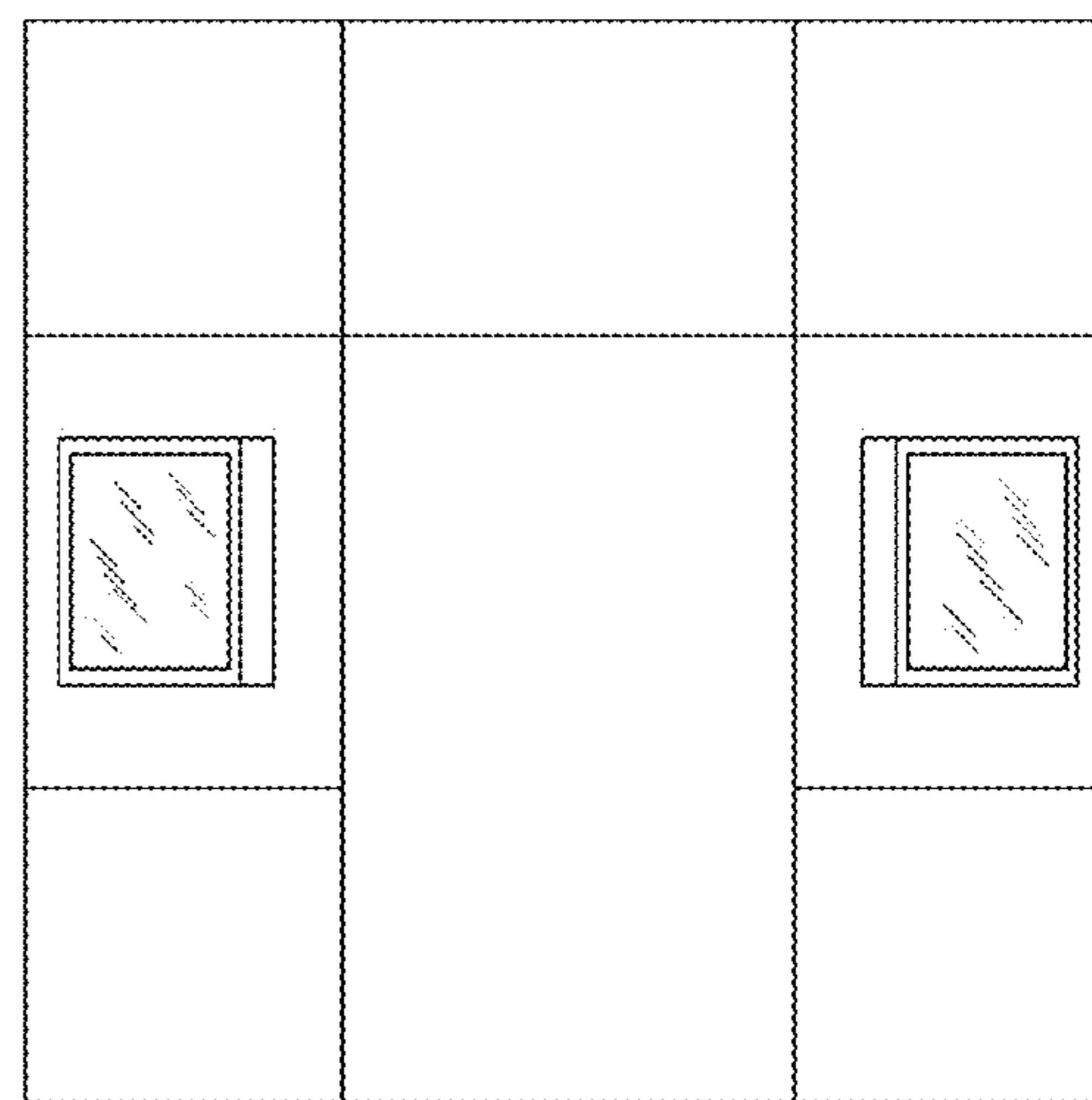


FIG. 6