



US00D735275S

(12) **United States Design Patent**  
**Krivulin**

(10) **Patent No.:** **US D735,275 S**  
(45) **Date of Patent:** **\*\* Jul. 28, 2015**

(54) **BUBBLE BLOWER**

(71) Applicant: **Mattel, Inc.**, El Segundo, CA (US)

(72) Inventor: **Yana Krivulin**, Los Angeles, CA (US)

(73) Assignee: **Mattel, Inc.**, El Segundo, CA (US)

(\*\*) Term: **14 Years**

(21) Appl. No.: **29/462,042**

(22) Filed: **Jul. 30, 2013**

(51) **LOC (10) Cl.** ..... **21-01**

(52) **U.S. Cl.**  
USPC ..... **D21/401**

(58) **Field of Classification Search**  
USPC ..... D21/401, 405, 473, 532, 567, 572-575;  
446/15, 19-21, 267, 144, 145, 401,  
446/405, 406, 421, 473, 475  
CPC ..... A63H 33/28; A63H 33/30  
See application file for complete search history.

(56) **References Cited**

**U.S. PATENT DOCUMENTS**

D94,312 S *	1/1935	Marx	.....	D21/574
D159,552 S *	8/1950	Shelton	.....	D21/574
4,206,563 A *	6/1980	Baldassarre et al.	.....	446/473
4,276,713 A *	7/1981	Crosbie	.....	446/21
D261,908 S *	11/1981	Steinberg	.....	D21/401
D262,559 S *	1/1982	Klawitter	.....	D21/532
D419,204 S *	1/2000	Bao	.....	D21/401
D453,197 S *	1/2002	Hornsby et al.	.....	D21/401
6,572,427 B1	6/2003	Thai	.....	
6,616,498 B1	9/2003	Thai	.....	
6,659,831 B2	12/2003	Thai	.....	
6,953,376 B1 *	10/2005	Kim et al.	.....	446/15
7,458,485 B2	12/2008	Amron	.....	
8,087,968 B2	1/2012	Amron	.....	
D722,117 S *	2/2015	Chen	.....	D21/401

2003/0073374 A1 *	4/2003	Thai	.....	446/15
2003/0199221 A1 *	10/2003	Thai	.....	446/15
2004/0266309 A1 *	12/2004	Thai	.....	446/15
2006/0163278 A1	7/2006	Yeung	.....	
2007/0037467 A1 *	2/2007	Thai	.....	446/15
2009/0142986 A1 *	6/2009	San	.....	446/15
2012/0208426 A1	8/2012	Kuo	.....	
2012/0214378 A1	8/2012	Lo	.....	
2012/0270462 A1 *	10/2012	Lo	.....	446/15

**FOREIGN PATENT DOCUMENTS**

CN	3233745	*	4/2002
CN	3272211	*	1/2003
CN	3541895	*	7/2006
CN	300739440	*	1/2008
CN	3007748439	*	2/2008

\* cited by examiner

*Primary Examiner* — Catherine Tuttle

(74) *Attorney, Agent, or Firm* — The Mueller Law Office, P.C.

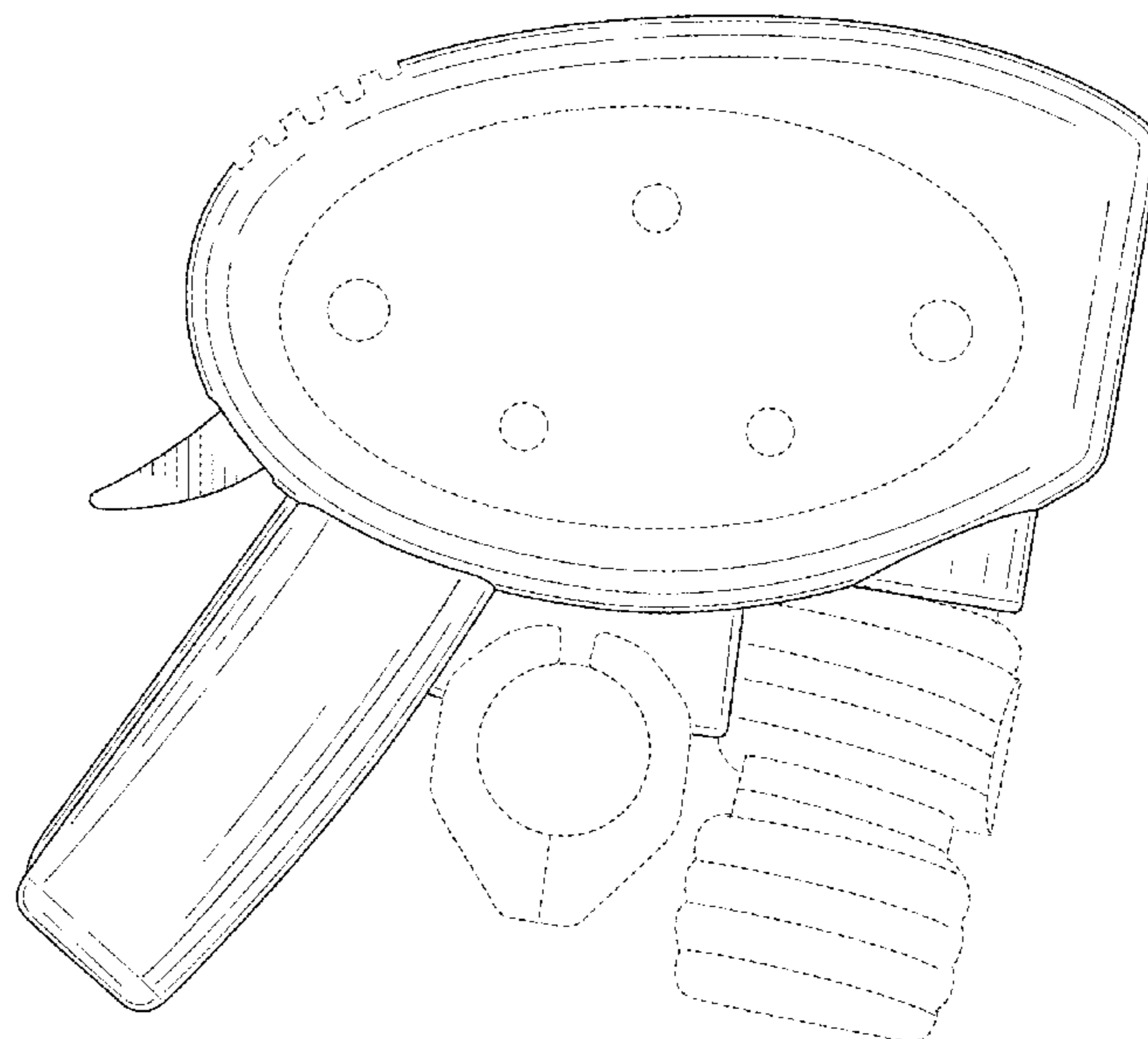
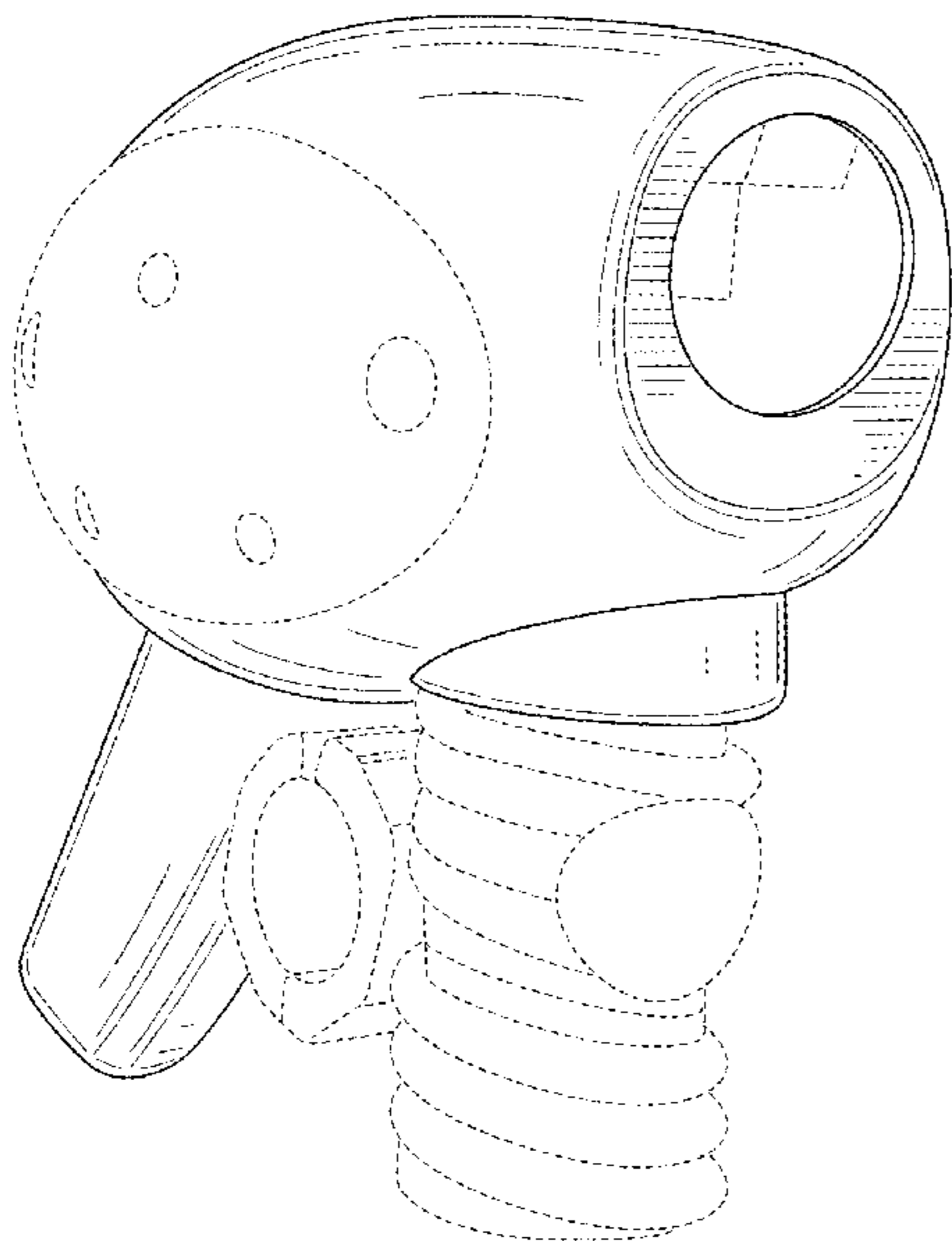
(57) **CLAIM**

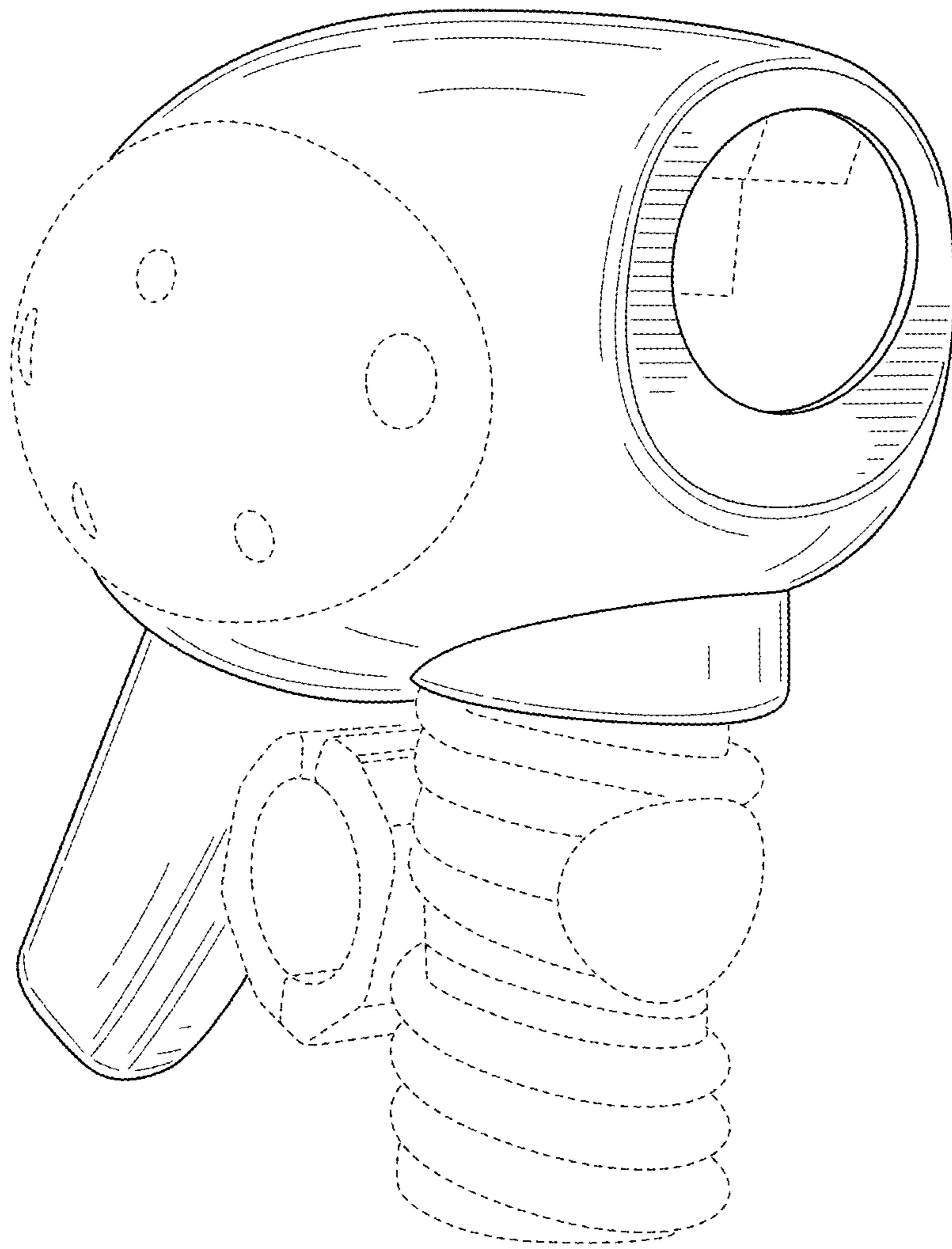
The ornamental design for a bubble blower, as shown and described.

**DESCRIPTION**

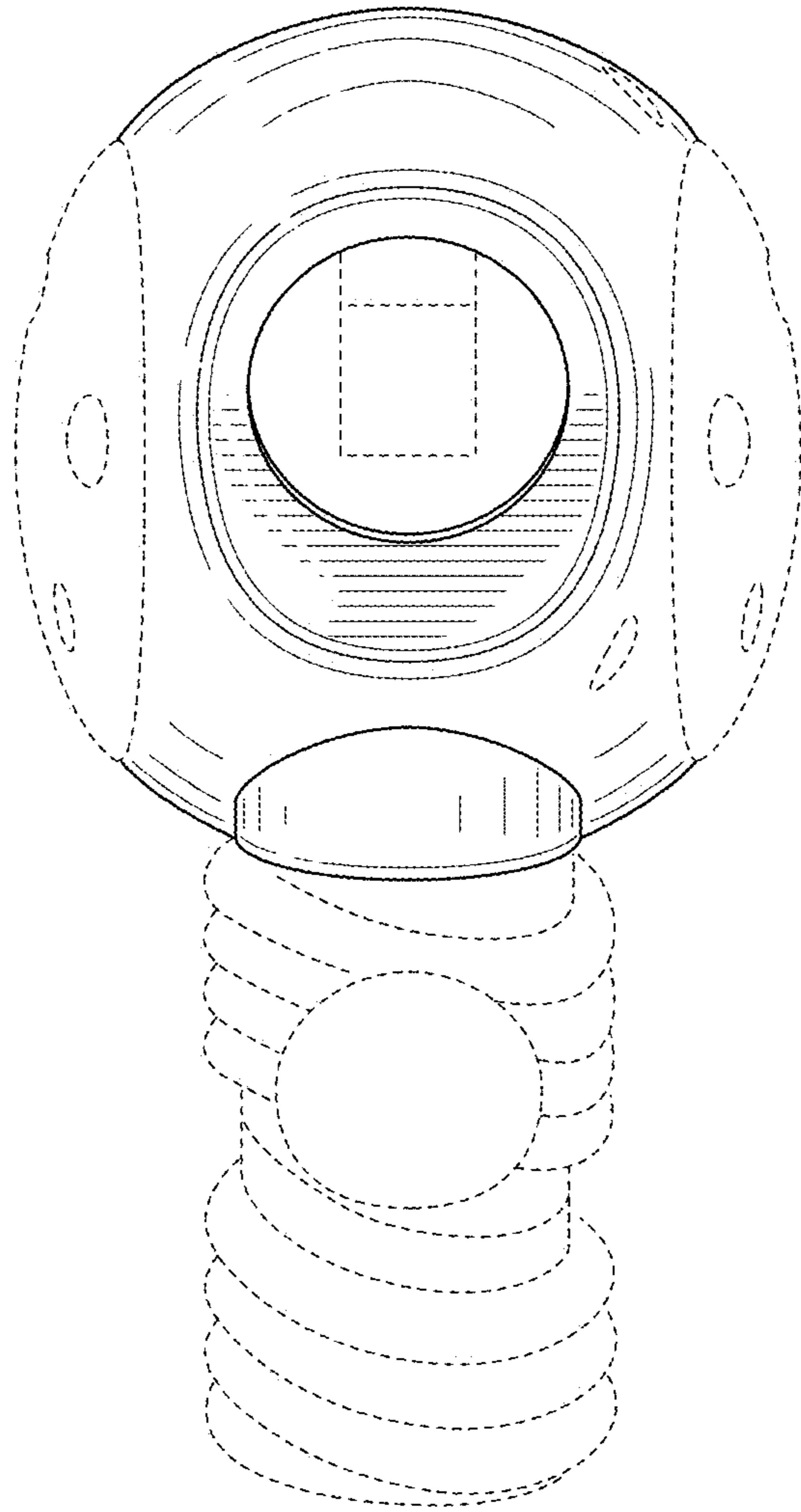
FIG. 1 is a perspective view of the bubble blower showing my new design;  
FIG. 2 is a front view thereof;  
FIG. 3 is a left side view thereof;  
FIG. 4 is a back view thereof;  
FIG. 5 is a right side view thereof;  
FIG. 6 is a top view thereof; and,  
FIG. 7 is a bottom view thereof.  
The broken lines are included for the purpose of illustrating the portions of the bubble blower that form no part of the claimed design.

**1 Claim, 7 Drawing Sheets**





**FIG. 1**



**FIG. 2**

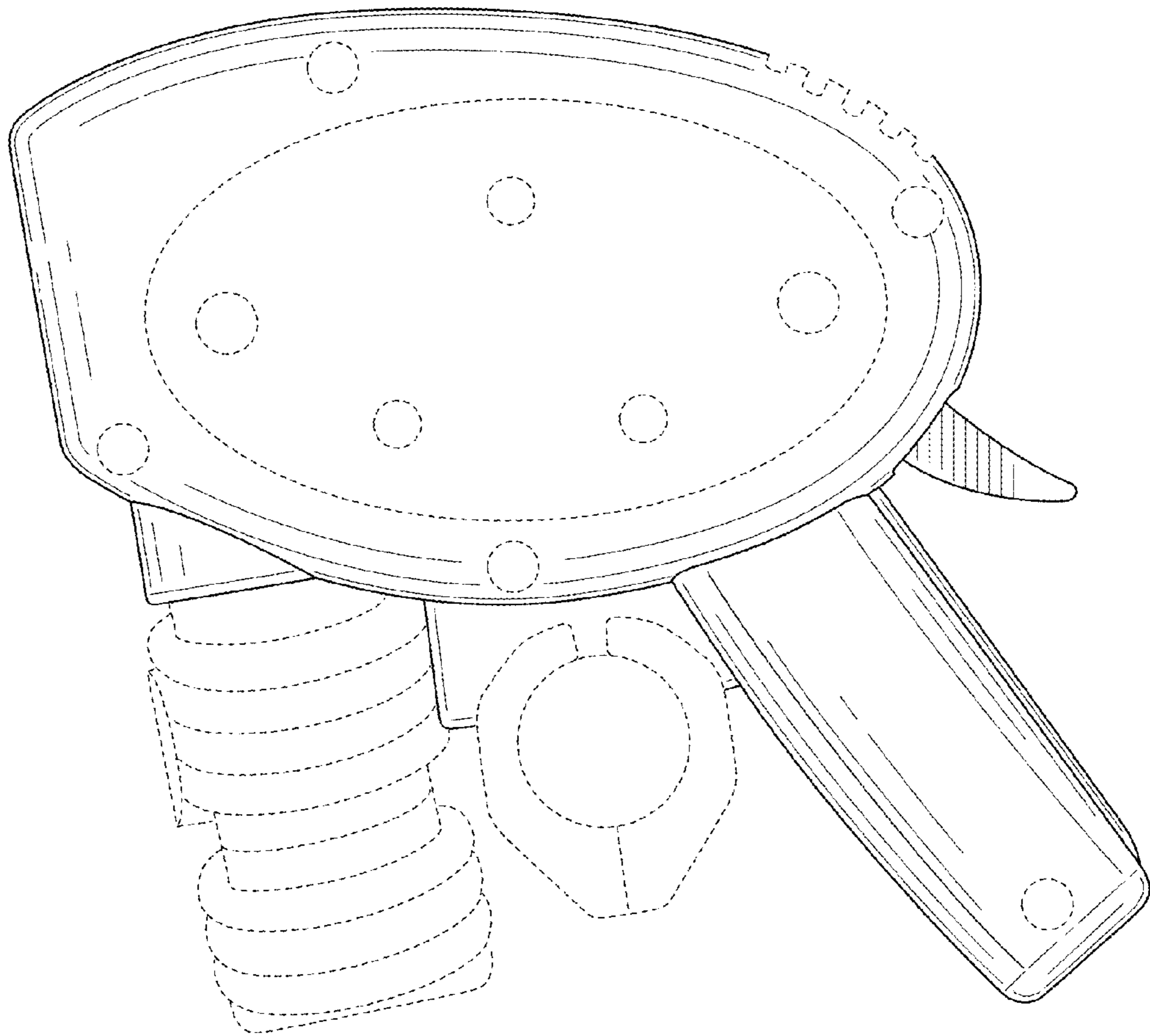
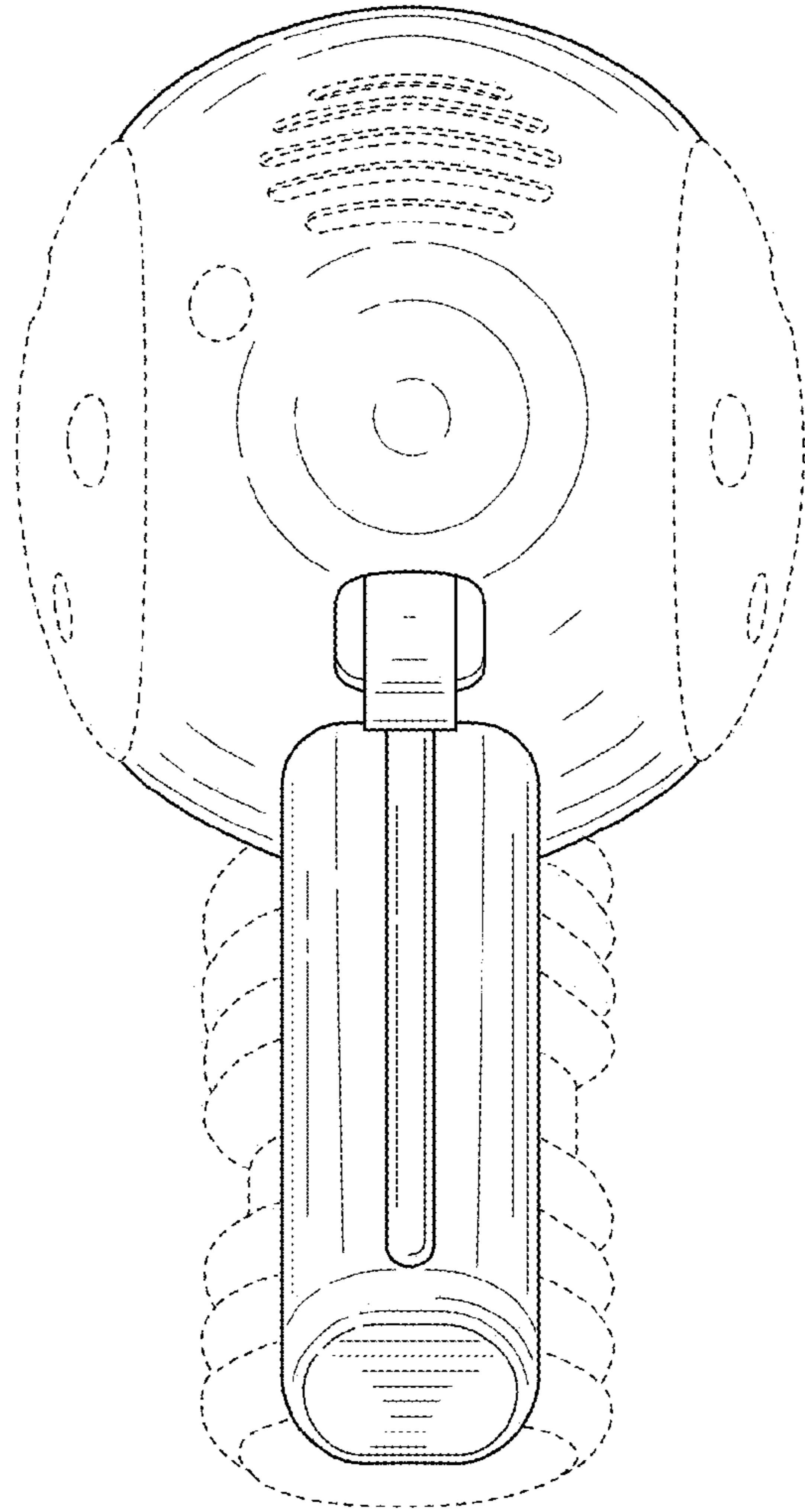


FIG. 3



**FIG. 4**

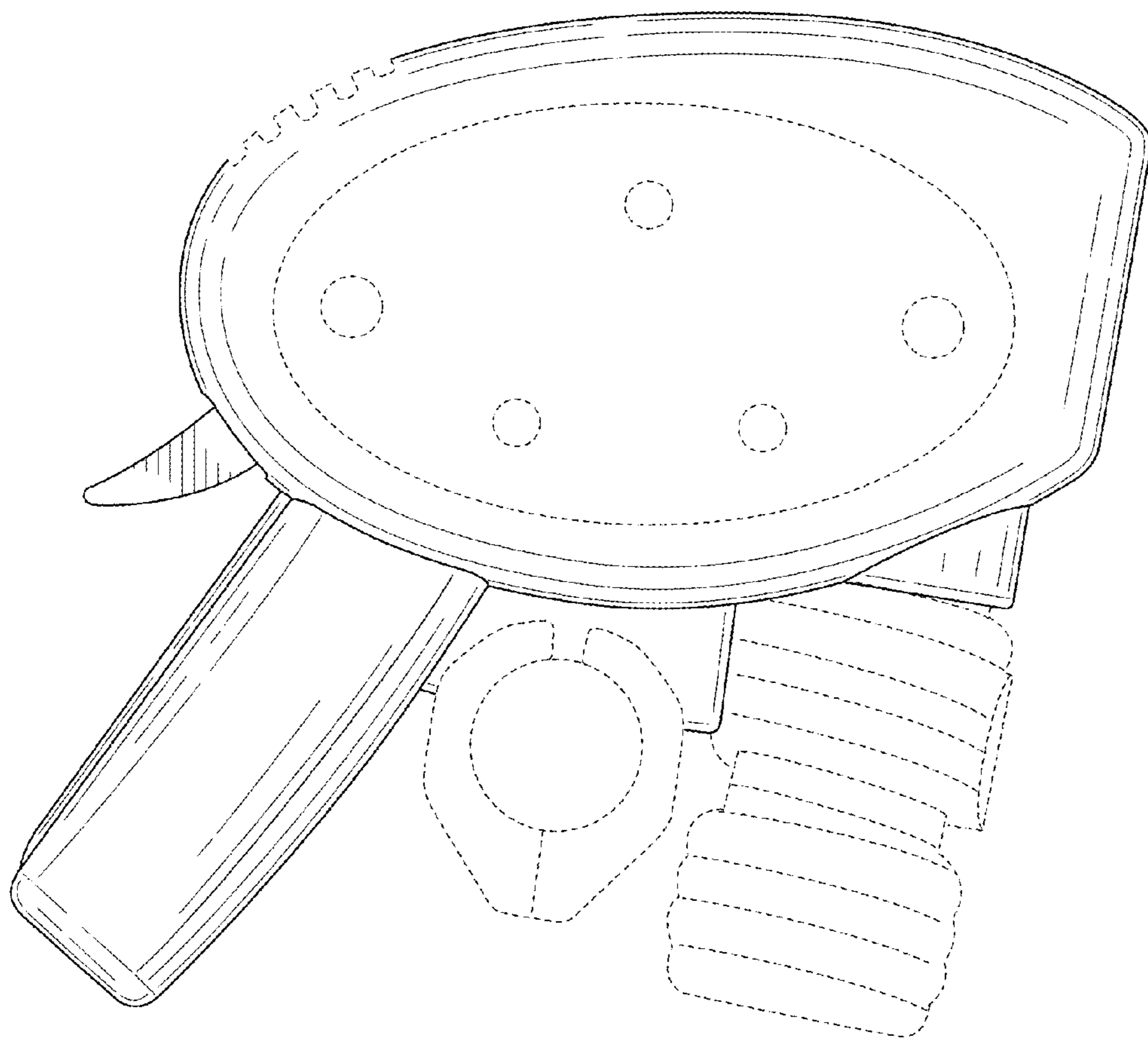
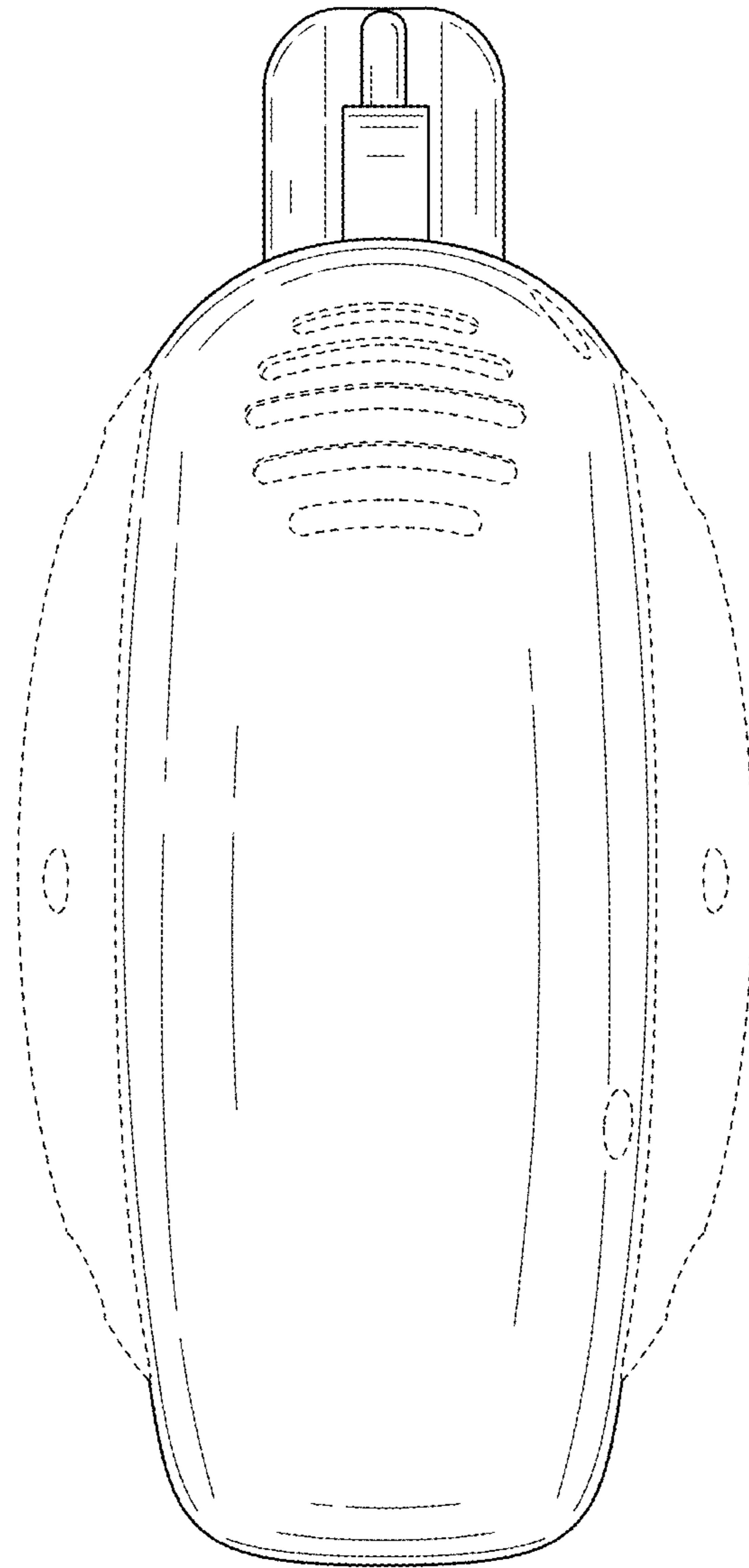
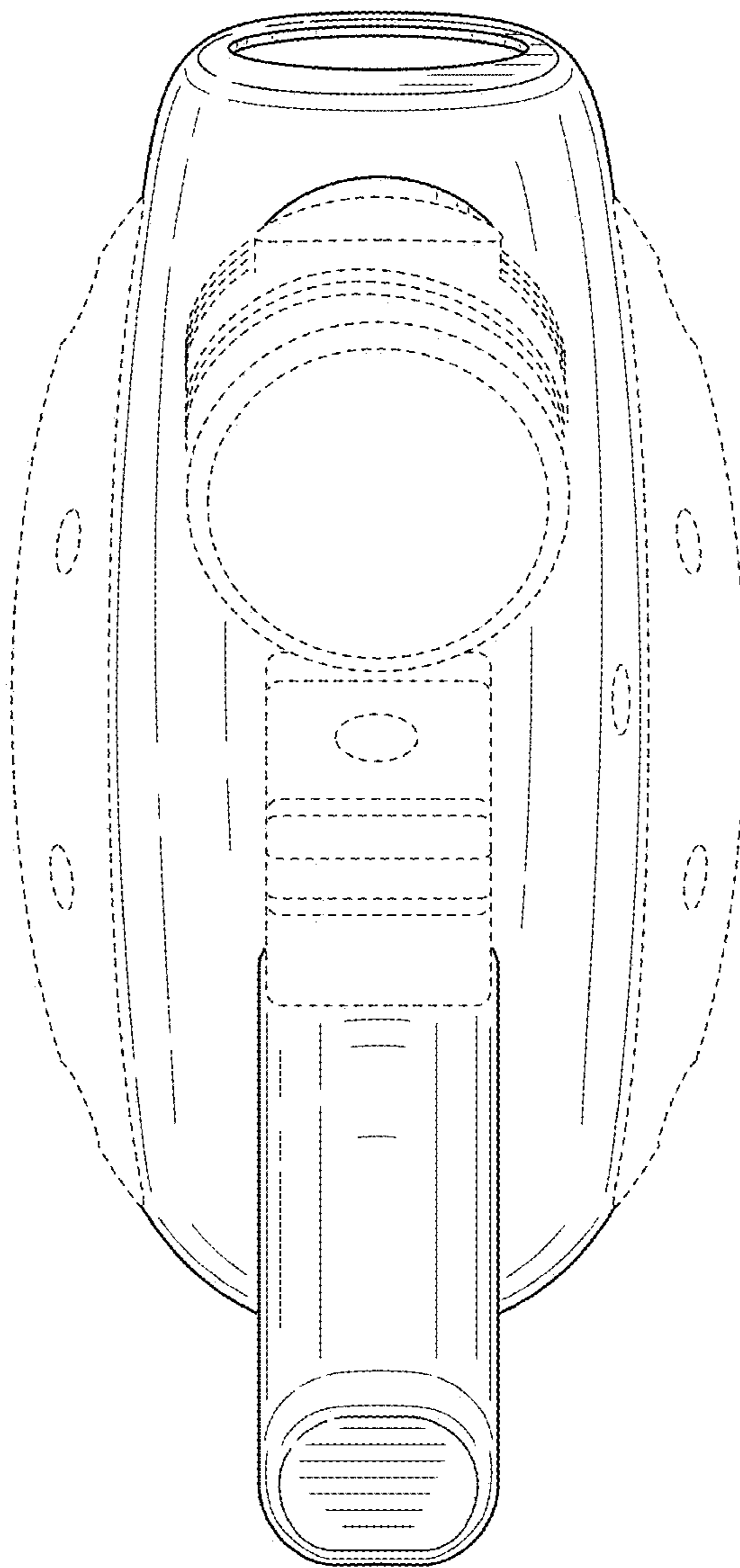


FIG. 5



**FIG. 6**



**FIG. 7**