



US00D735267S

(12) **United States Design Patent**  
**Chung et al.**

(10) **Patent No.:** **US D735,267 S**  
(45) **Date of Patent:** **\*\* Jul. 28, 2015**

(54) **MULTIFUNCTION PRINTER**

(56) **References Cited**

(71) Applicant: **Samsung Electronics Co., Ltd.**,  
Suwon-si (KR)  
  
(72) Inventors: **Won-Suk Chung**, Seoul (KR);  
**Jonathan Grossman**, North Hills, CA  
(US); **Kristiaan A Brauer**, Cincinnati,  
OH (US); **Mark J. Grote**, Cincinnati,  
OH (US); **Patricia Howes**, Beverly, MA  
(US); **Soo-Shin Choi**, Cincinnati, OH  
(US)

U.S. PATENT DOCUMENTS

D577,062	S	*	9/2008	Steiger	.....	D18/50
D578,494	S	*	10/2008	Hattori	.....	D18/55
D602,019	S	*	10/2009	Wang et al.	.....	D14/356
D639,849	S	*	6/2011	Sato et al.	.....	D18/50
D653,703	S	*	2/2012	Seki et al.	.....	D18/55
D670,326	S	*	11/2012	Yoshida	.....	D18/55
D673,603	S	*	1/2013	Suzuki et al.	.....	D18/55
D682,927	S	*	5/2013	Azegami	.....	D18/50
D697,966	S	*	1/2014	Fukasawa et al.	.....	D18/55
D711,463	S	*	8/2014	Costabeber	.....	D18/50
D715,356	S	*	10/2014	Nakagawa et al.	.....	D18/50

\* cited by examiner

(73) Assignee: **SAMSUNG ELECTRONICS CO., LTD.** (KR)

*Primary Examiner* — Cathy Anne MacCormac  
(74) *Attorney, Agent, or Firm* — Cantor Colburn LLP

(\*\*) Term: **14 Years**

(57) **CLAIM**  
We claim, the ornamental design for a multifunction printer, as shown and described.

(21) Appl. No.: **29/481,985**

**DESCRIPTION**

(22) Filed: **Feb. 12, 2014**

FIG. 1 is a front perspective view of a multifunction printer, showing our new design;  
FIG. 2 is a front view thereof;  
FIG. 3 is a rear view thereof;  
FIG. 4 is a left side view thereof;  
FIG. 5 is a right side view thereof;  
FIG. 6 is a top view thereof; and,  
FIG. 7 is a bottom view thereof.  
The broken lines illustrating portions of the multifunction printer are for environmental purposes only and form no part of the claimed design.

(51) **LOC (10) Cl.** ..... **14-02**

(52) **U.S. Cl.**  
USPC ..... **D18/50**

(58) **Field of Classification Search**  
USPC ..... D18/6-7, 14, 19, 50, 54.1, 54, 55;  
D14/420-426, 462-470; 400/613,  
400/613.1-613.4, 690.1-690.4, 691-694

See application file for complete search history.

**1 Claim, 5 Drawing Sheets**

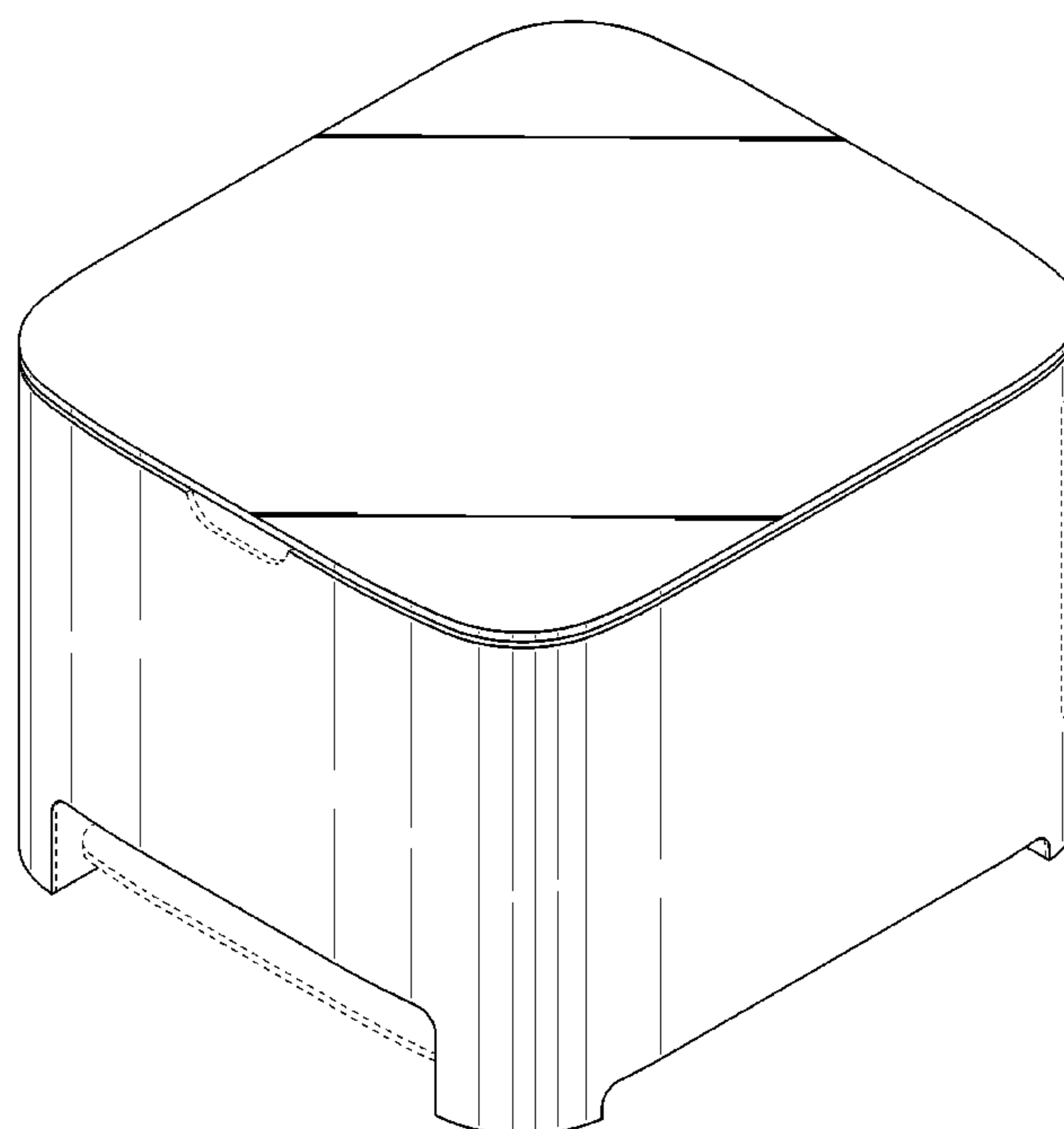


FIG.1

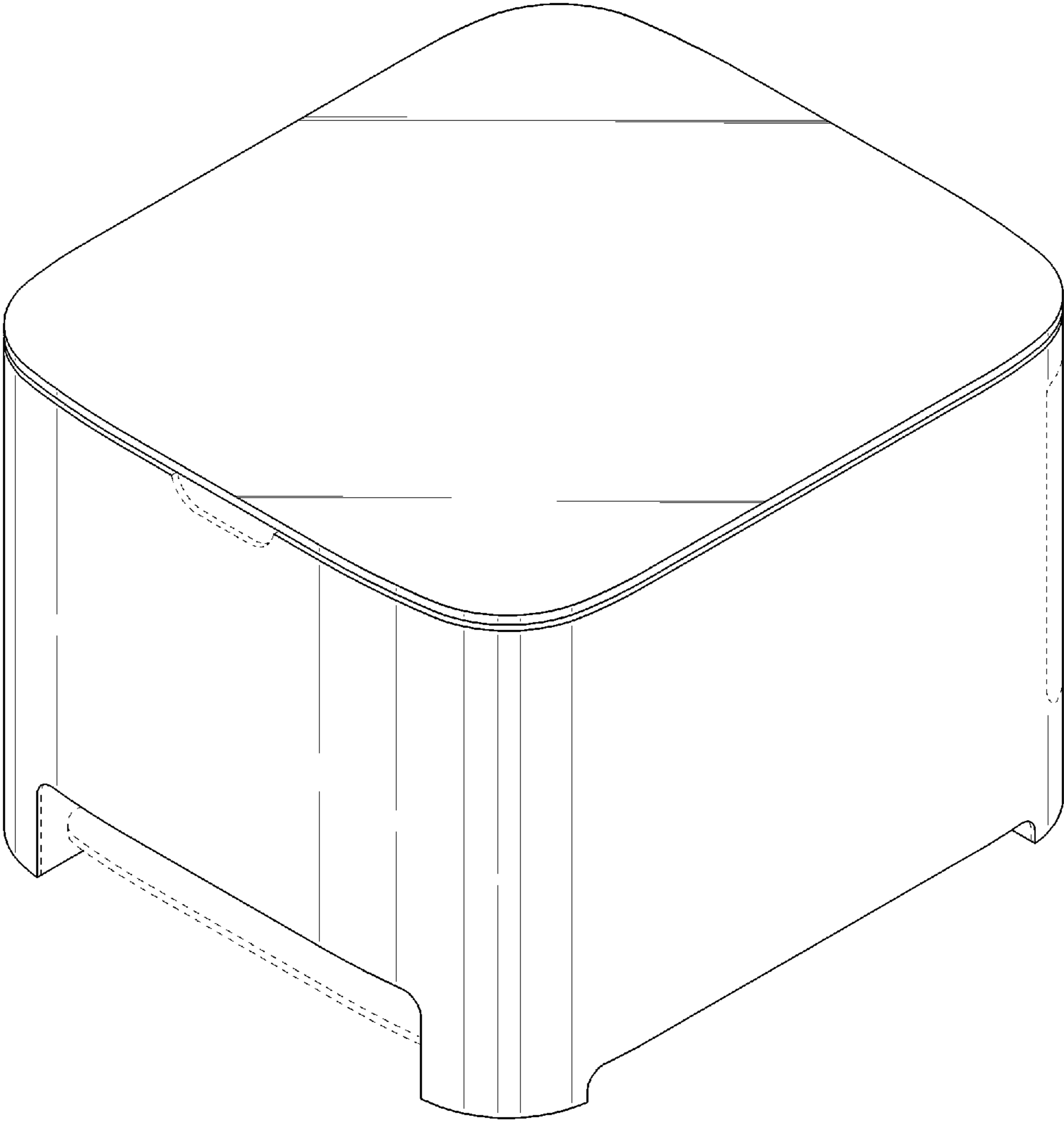


FIG.2

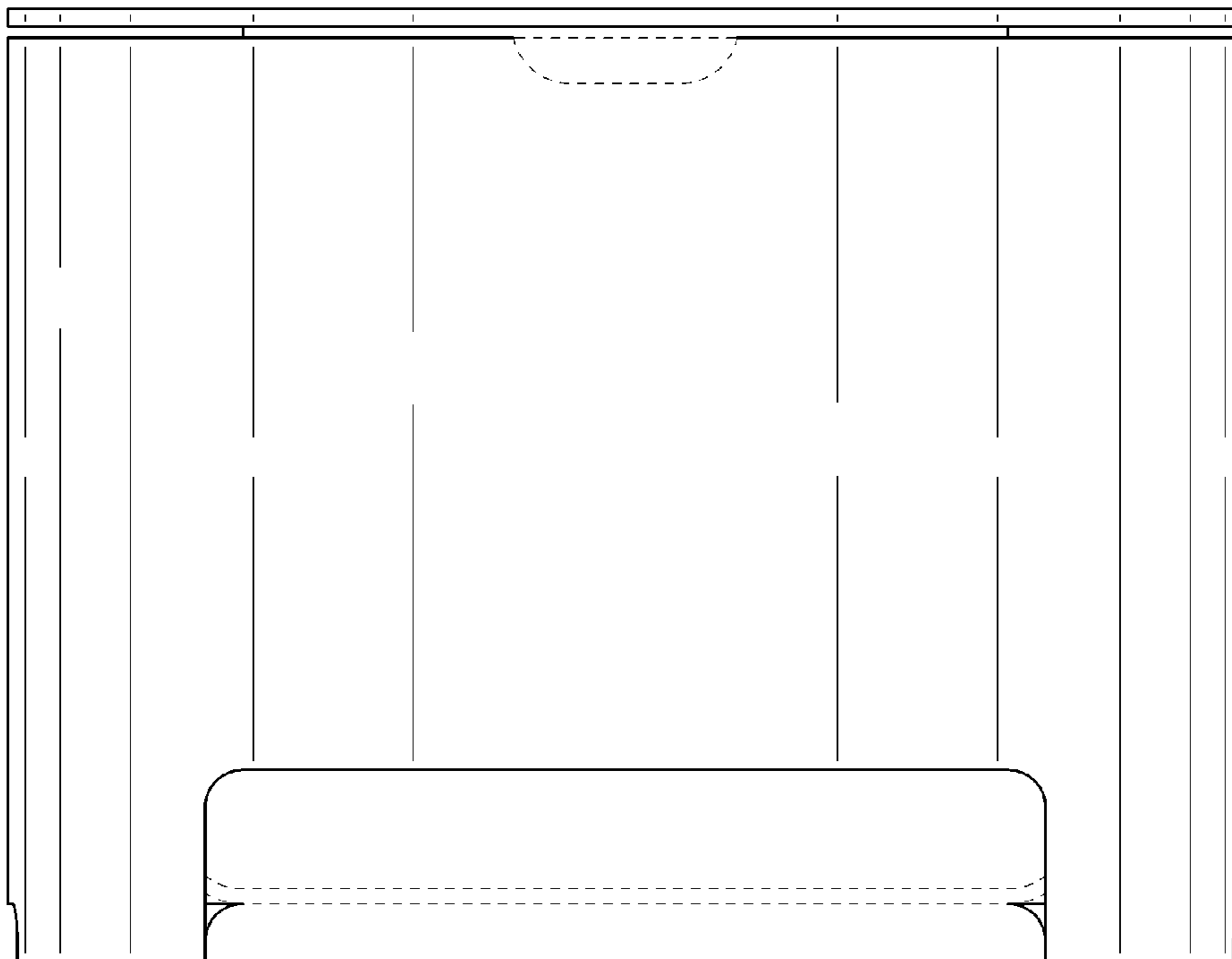


FIG.3

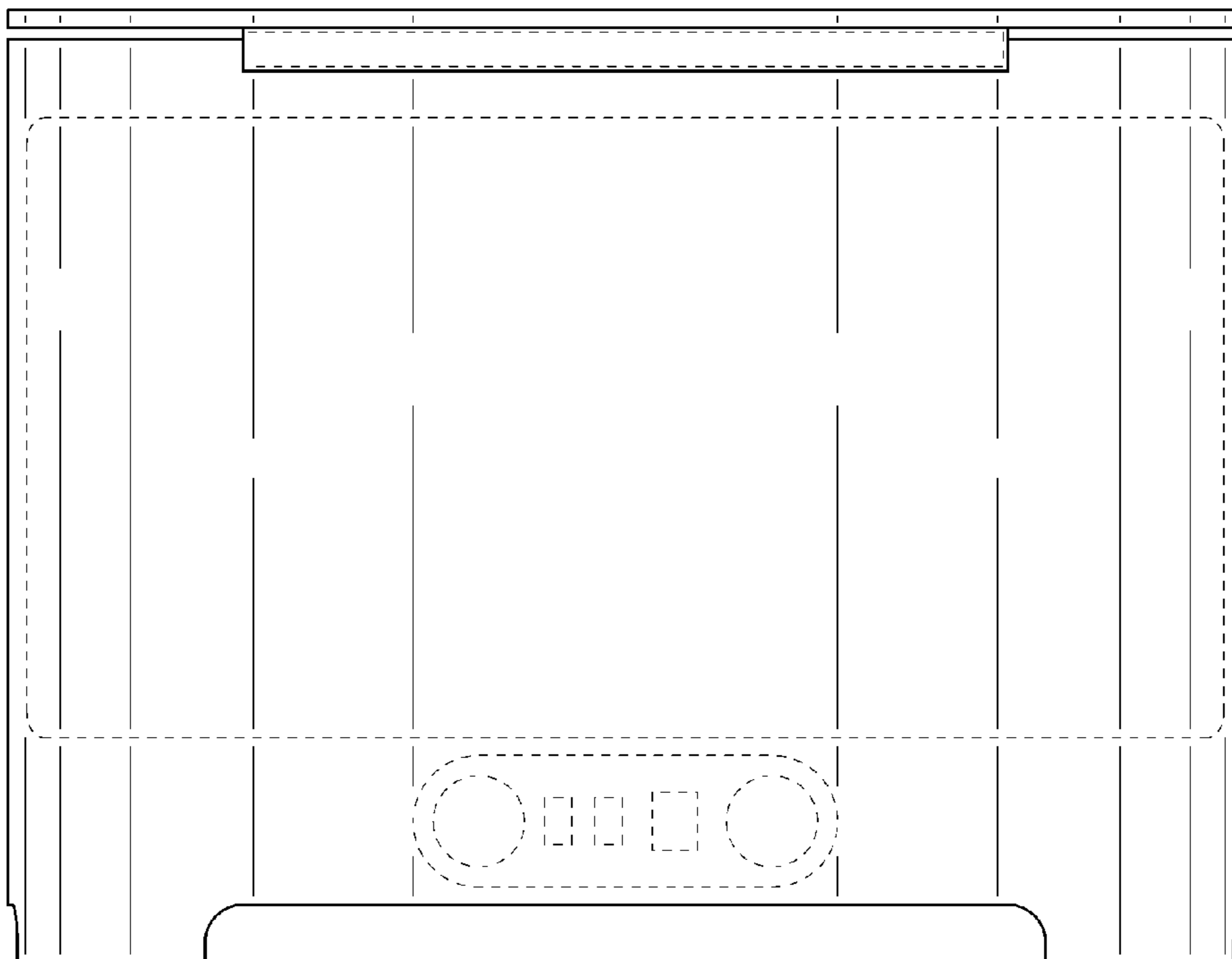


FIG.4

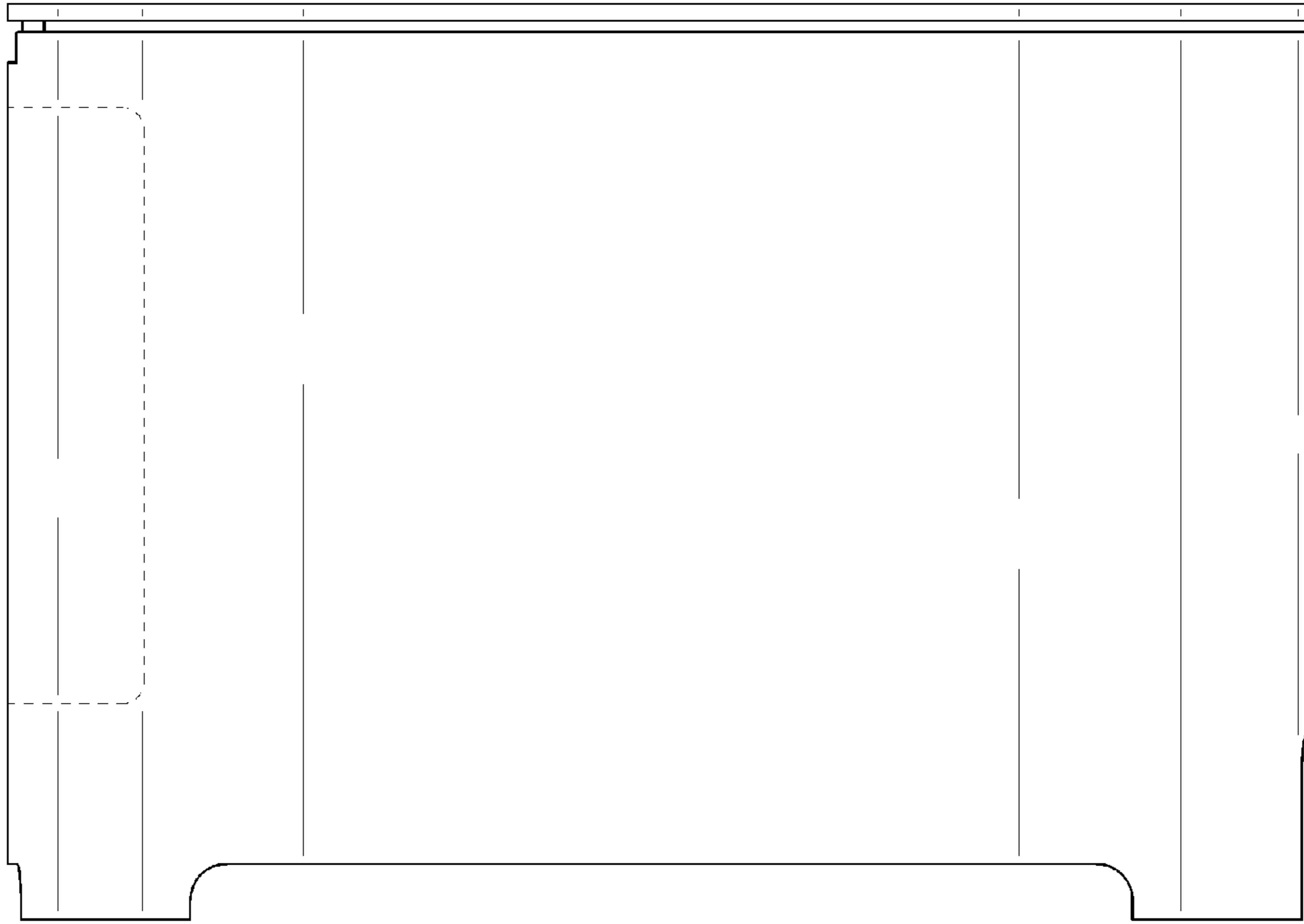


FIG.5

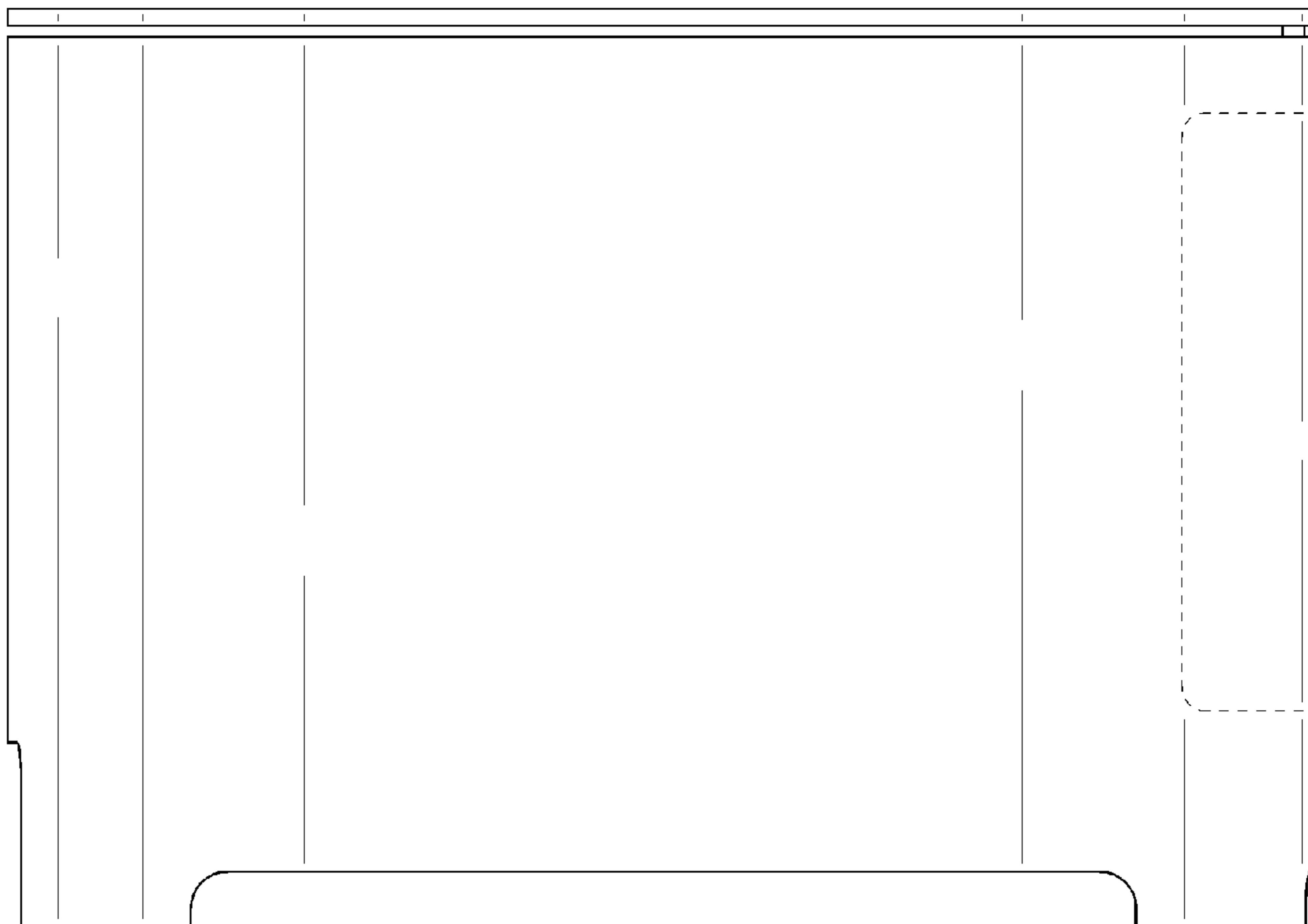


FIG.6

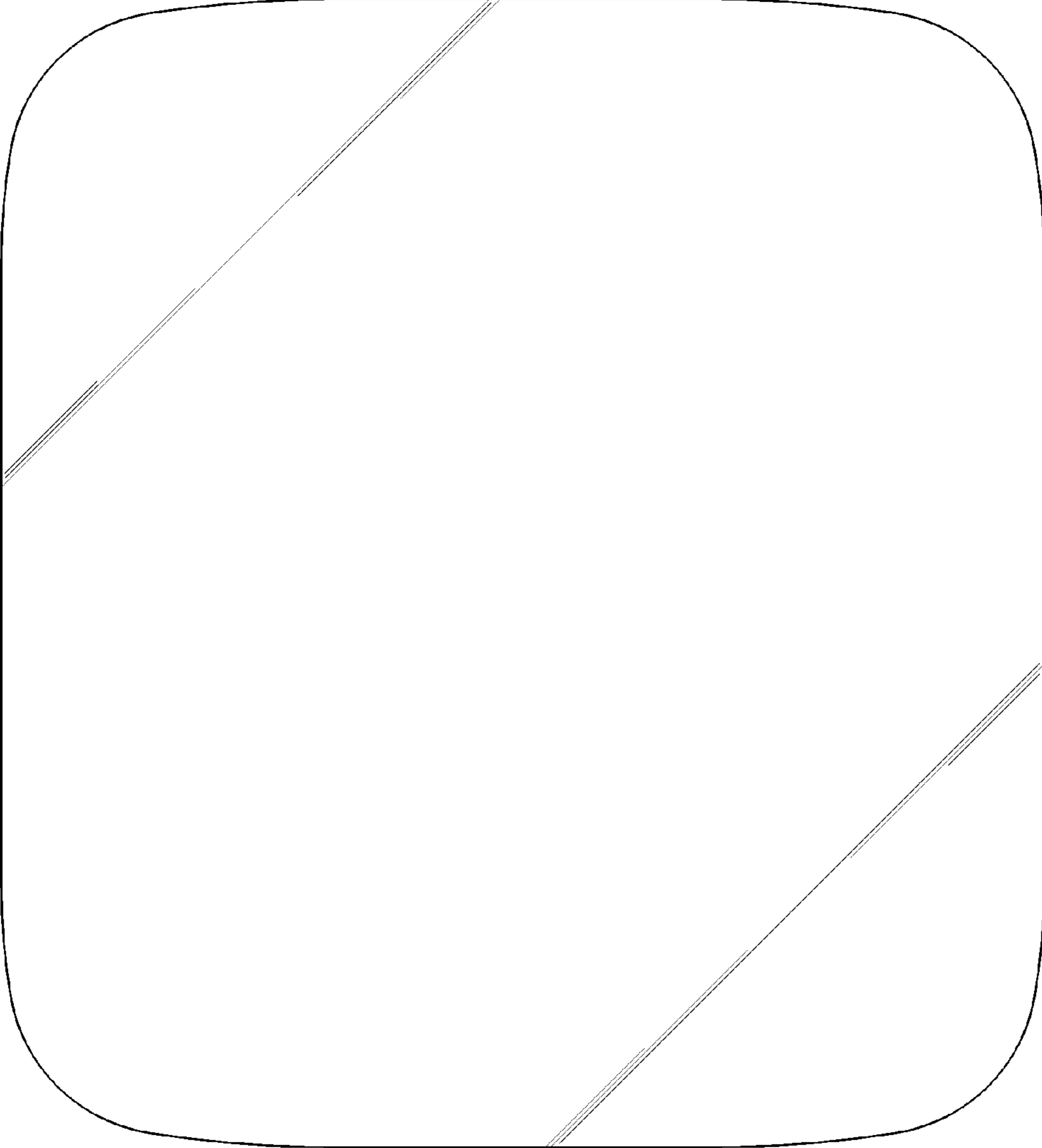


FIG.7

