



US00D735259S

(12) **United States Design Patent**
Vermaak et al.

(10) **Patent No.:** **US D735,259 S**
(45) **Date of Patent:** **** Jul. 28, 2015**

- (54) **WEARABLE RECORDING DEVICE**
- (71) Applicant: **B-Cam Ltd**, Port Isaac, Cornwall (GB)
- (72) Inventors: **Jan Hermanus Vermaak**, Reading (GB); **Ma Qiang**, Shenzhen (CN)
- (73) Assignee: **B-CAM LTD**, Port Isaac, Cornwall (GB)
- (**) Term: **14 Years**
- (21) Appl. No.: **29/481,309**
- (22) Filed: **Feb. 4, 2014**
- (51) **LOC (10) Cl.** **16-01**
- (52) **U.S. Cl.**
USPC **D16/218**
- (58) **Field of Classification Search**
USPC D16/200, 202–205, 208, 218, 219;
D14/125, 167, 496, 507; 348/373–376;
396/535, 539–541
CPC G03B 15/03; G03B 17/02; G03B 17/04;
G03B 17/56; G03B 19/04; H04N 5/2251;
H04N 5/2252; H04N 5/2253; H04N 5/2254;
H04N 2101/00
See application file for complete search history.

- D630,236 S * 1/2011 Lian D16/203
- D638,047 S * 5/2011 Lian D16/203
- D655,736 S * 3/2012 Barley et al. D16/203
- D682,339 S * 5/2013 Uppiano et al. D16/218
- 2011/0122248 A1* 5/2011 Goodman 348/143
- 2014/0092299 A1* 4/2014 Phillips et al. 348/376

* cited by examiner

Primary Examiner — Susan E Krakower
Assistant Examiner — Ramzi Almatrahi
(74) *Attorney, Agent, or Firm* — Howard & Howard Attorneys PLLC

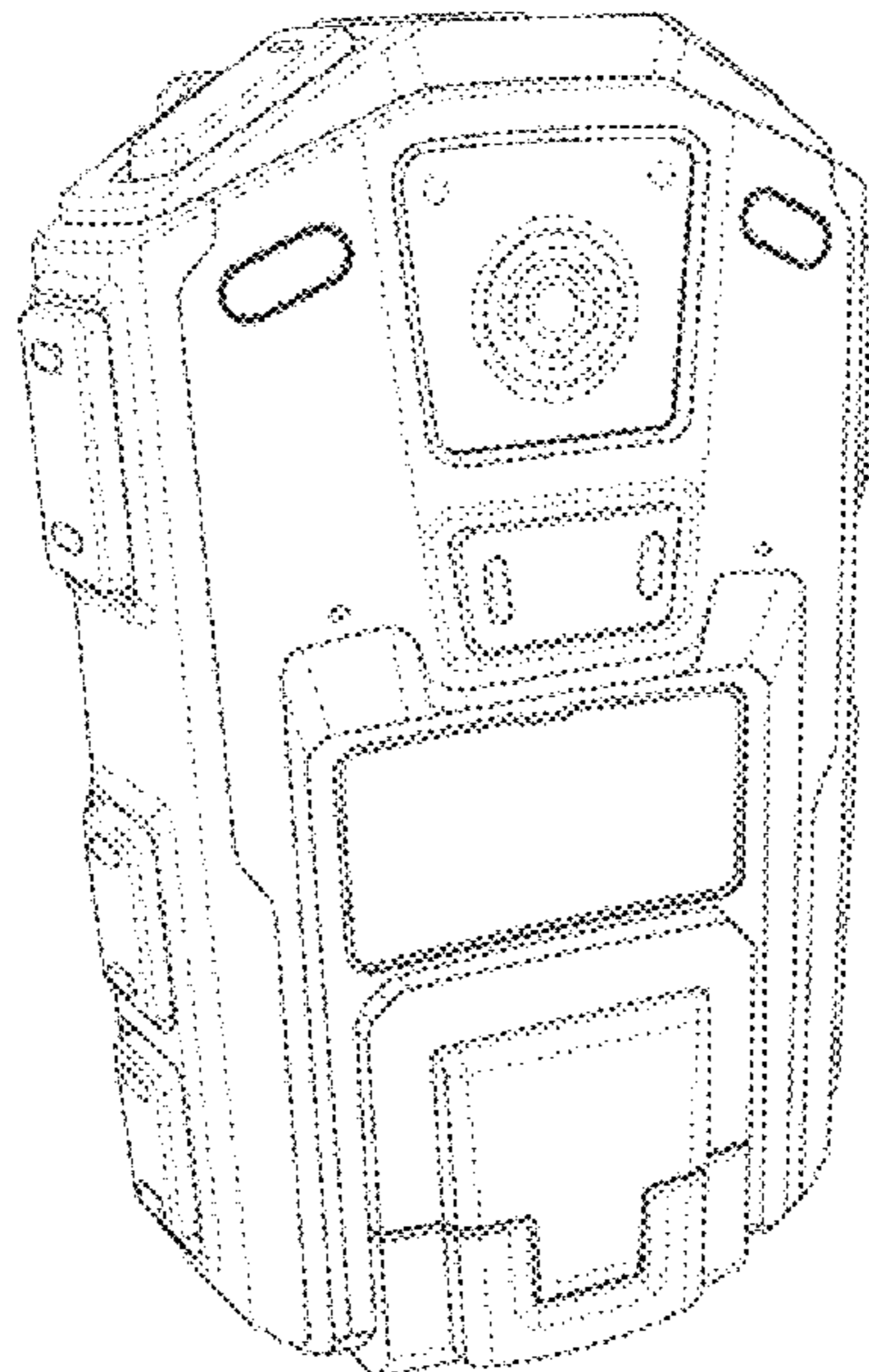
(57) **CLAIM**
We claim the ornamental design for a wearable recording device, as shown and described.

DESCRIPTION

FIG. 1 is a front perspective view of the new design of a wearable recording device;
FIG. 2 is a front elevation view of the wearable recording device;
FIG. 3 is a rear elevation view of the wearable recording device;
FIG. 4 is a left side elevation view of the wearable recording device;
FIG. 5 is a right side elevation view of the wearable recording device;
FIG. 6 is a top plan view of the wearable recording device; and,
FIG. 7 is a bottom plan view of the wearable recording device. The broken lines depict portions of the wearable recording device in which the design is embodied and form no part of the claimed design.

1 Claim, 6 Drawing Sheets

- (56) **References Cited**
U.S. PATENT DOCUMENTS
D504,905 S * 5/2005 Tullberg et al. D16/218
D548,220 S * 8/2007 Takagi D14/167
7,471,334 B1 * 12/2008 Stenger 348/373
D616,009 S * 5/2010 Schnell D16/218
D616,901 S * 6/2010 Ward et al. D14/507
D628,614 S * 12/2010 Barley et al. D16/219



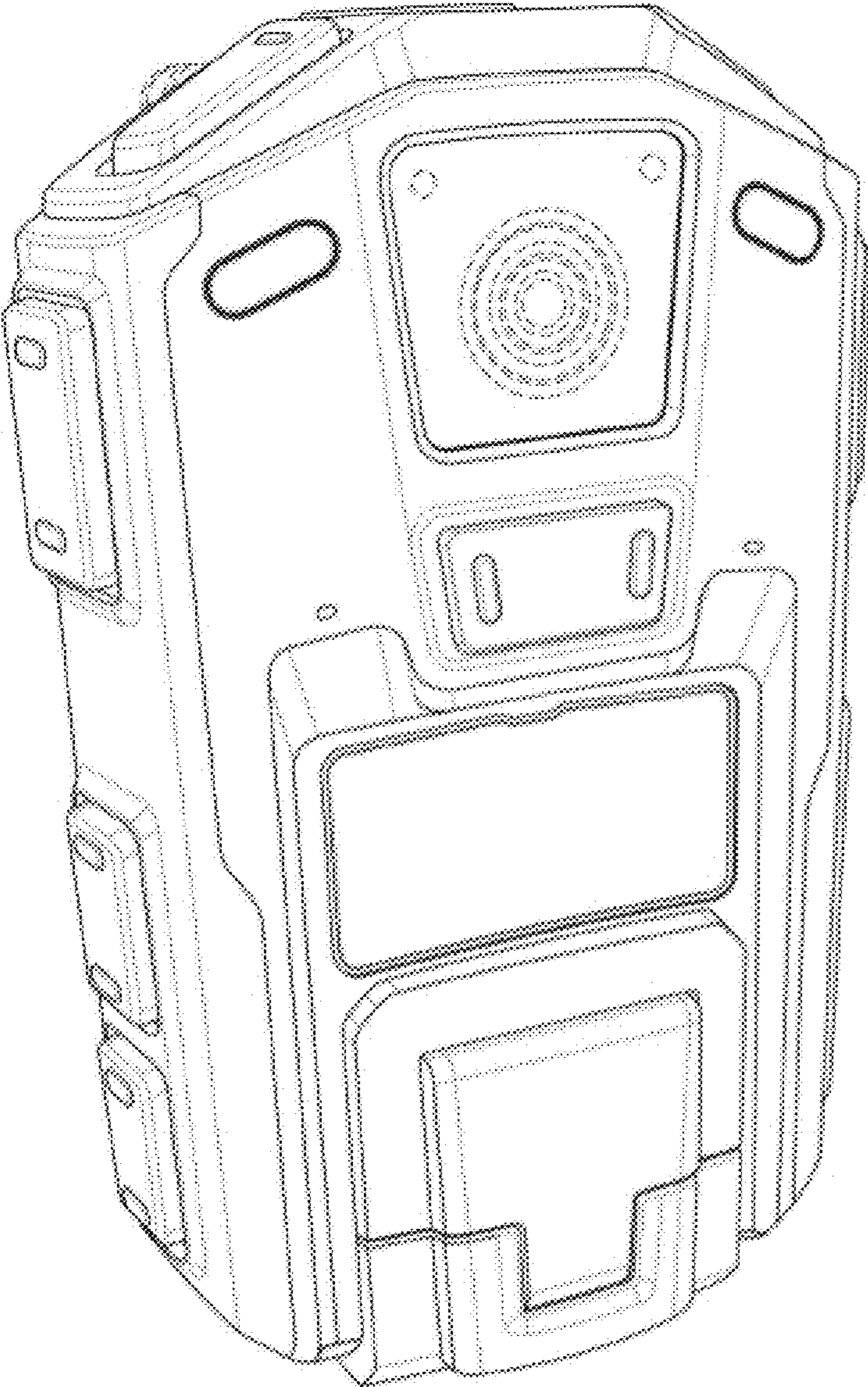


FIG. 1

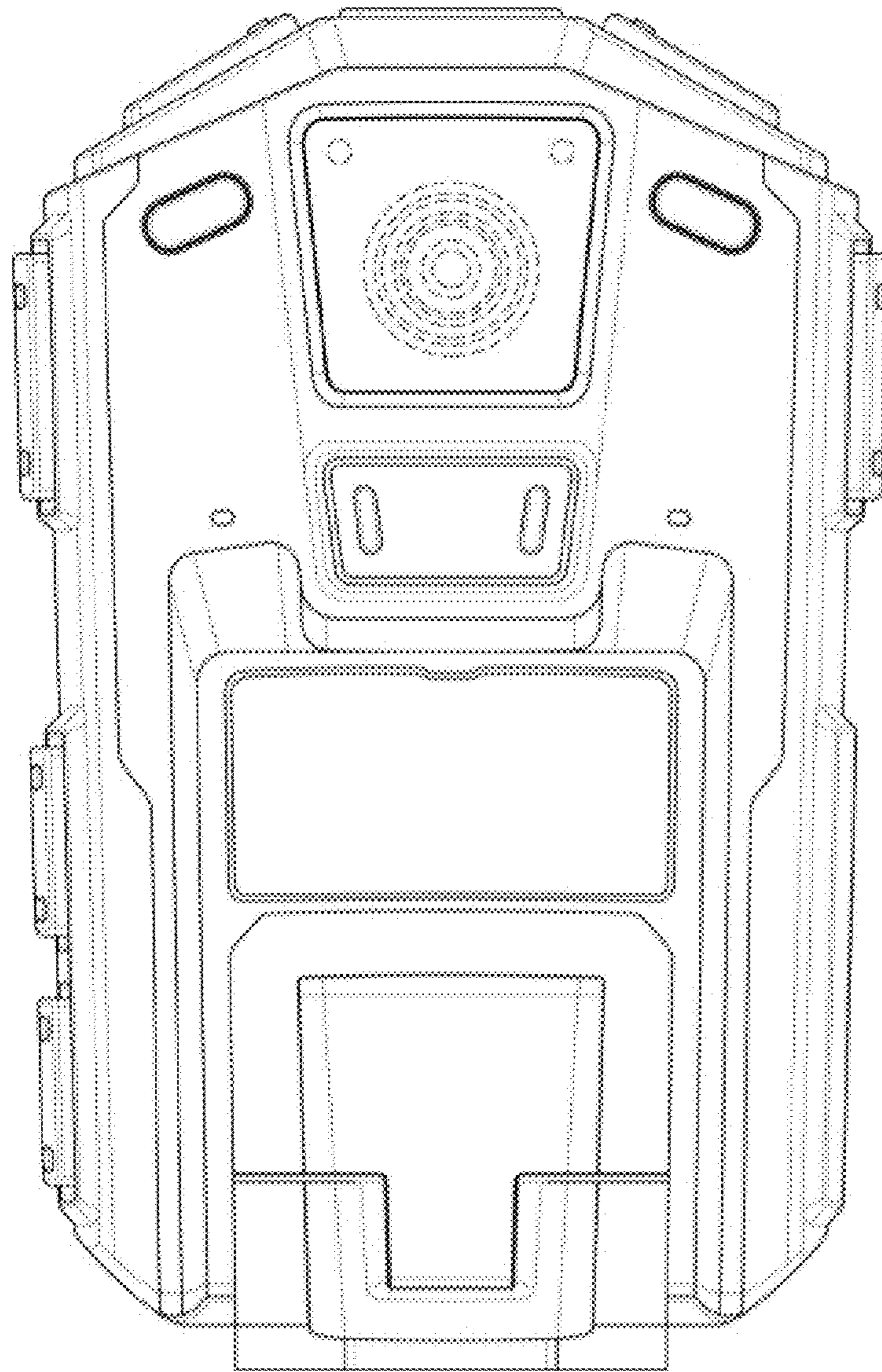


FIG. 2

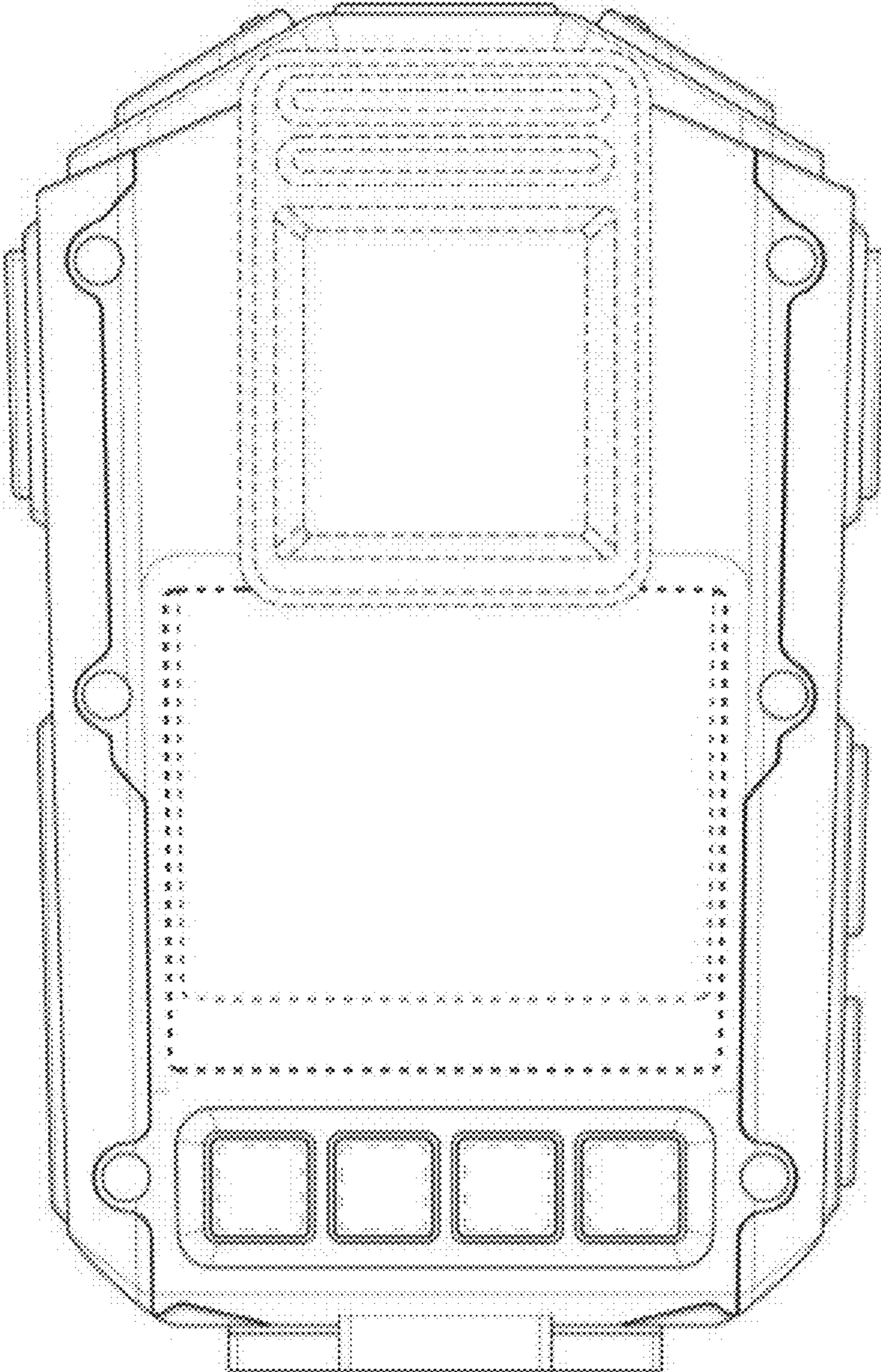


FIG. 3

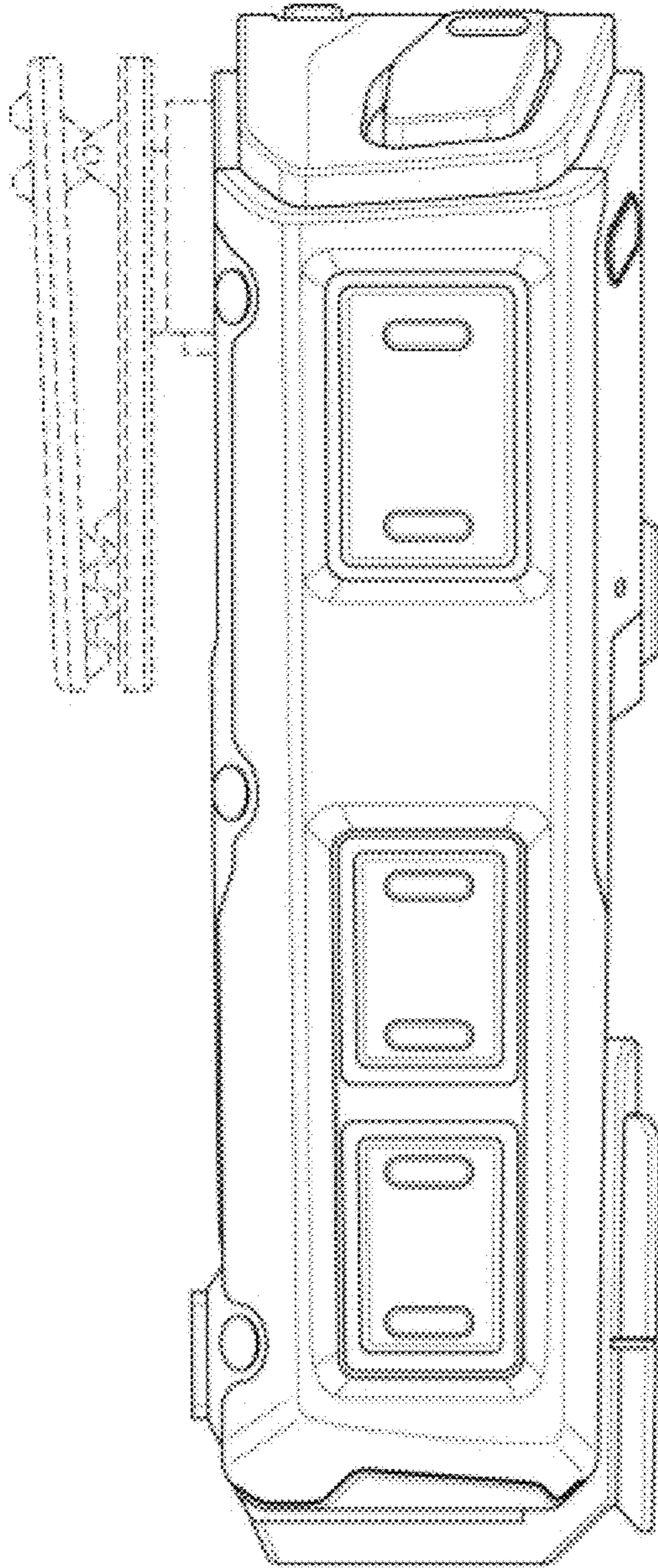


FIG. 4

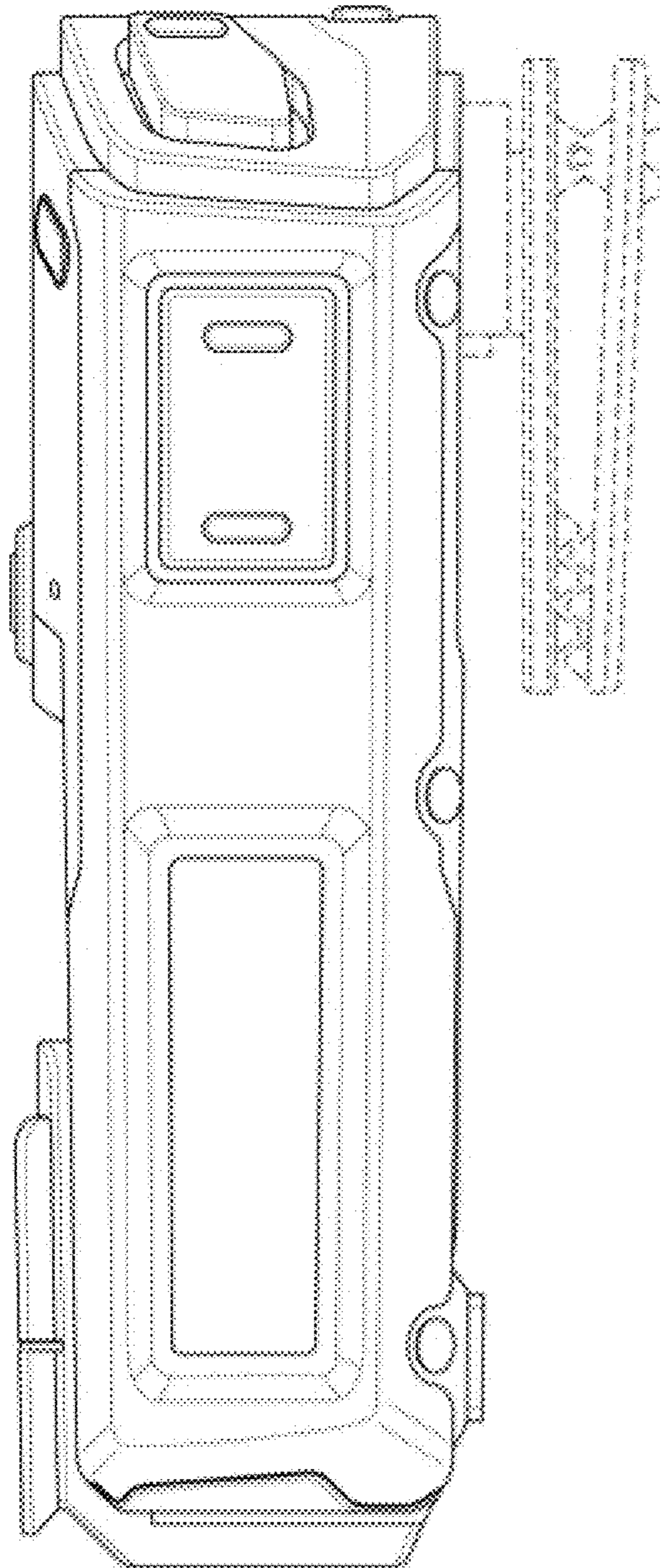


FIG. 5

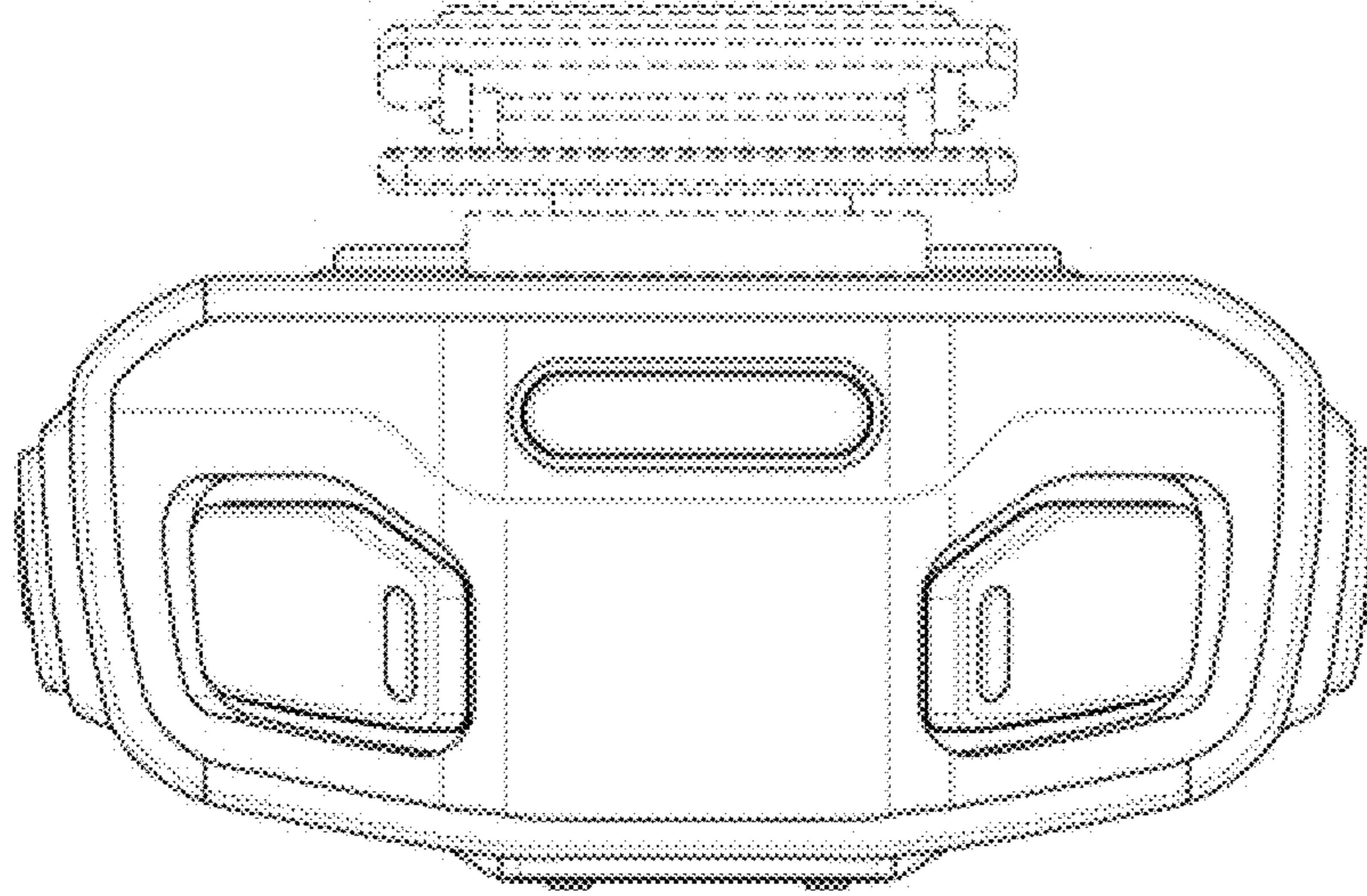


FIG. 6

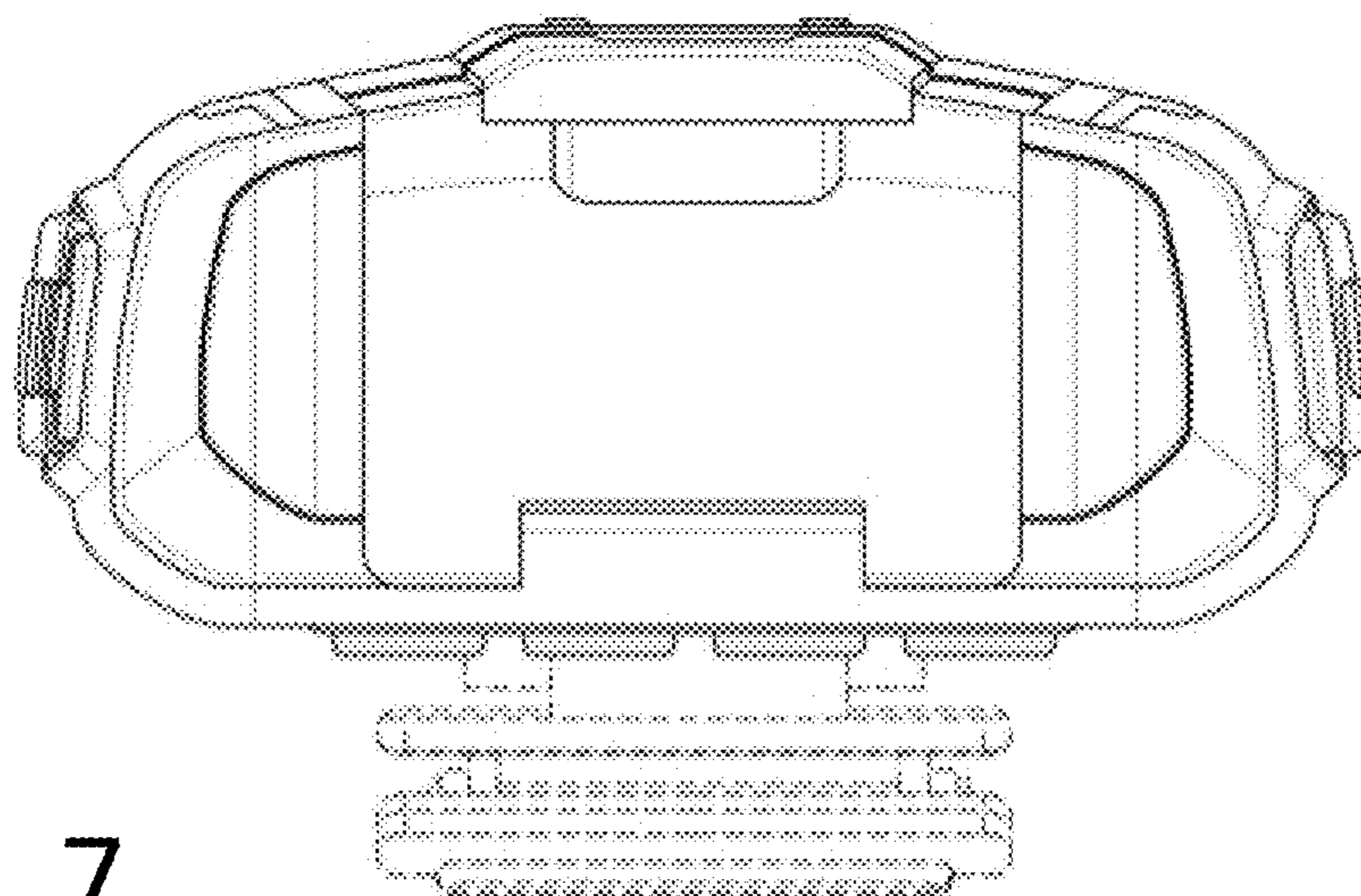


FIG. 7