



US00D735258S

(12) **United States Design Patent**  
**Jang et al.**

(10) **Patent No.:** **US D735,258 S**  
(45) **Date of Patent:** **\*\* Jul. 28, 2015**

- (54) **MOBILE HUMAN INTERFACE ROBOT**
- (71) Applicant: **iRobot Corporation**, Bedford, MA (US)
- (72) Inventors: **Stuart R. Jang**, Sudbury, MA (US);  
**Brian C. Benson, Jr.**, Winchendon, MA (US); **William J. Farmer**, Bolton, MA (US)
- (73) Assignee: **iRobot Corporation**, Bedford, MA (US)
- (\*\*) Term: **14 Years**

D594,492	S *	6/2009	Stratton et al. ....	D15/199
7,706,917	B1	4/2010	Chiappetta et al.	
7,789,175	B2 *	9/2010	Tobey et al. ....	180/65.1
D626,353	S *	11/2010	Magruder .....	D6/396
D627,377	S *	11/2010	Wiley et al. ....	D15/199
D639,800	S *	6/2011	Magruder .....	D14/307
D644,256	S *	8/2011	Kitano et al. ....	D15/199
8,077,963	B2 *	12/2011	Wang et al. ....	382/153
D663,333	S *	7/2012	Kitano et al. ....	D15/199
8,265,793	B2 *	9/2012	Cross et al. ....	700/259
8,272,466	B2 *	9/2012	Moriguchi et al. ....	180/167
D675,656	S *	2/2013	Sutherland et al. ....	D15/199

(Continued)

- (21) Appl. No.: **29/524,194**
- (22) Filed: **Apr. 17, 2015**

FOREIGN PATENT DOCUMENTS

WO WO-2007041295 A2 4/2007

OTHER PUBLICATIONS

Canadian Office Action for related Application No. 2,800,372 dated Apr. 2, 2014.

(Continued)

**Related U.S. Application Data**

- (62) Division of application No. 29/457,143, filed on Jun. 7, 2013, now Pat. No. Des. 732,096.
- (51) **LOC (10) Cl.** ..... **15-99**
- (52) **U.S. Cl.**  
USPC ..... **D15/199**
- (58) **Field of Classification Search**  
USPC ..... D15/199; D21/578  
See application file for complete search history.

Primary Examiner — Patricia Palasik

(74) *Attorney, Agent, or Firm* — Honigman Miller Schwartz and Cohn LLP

(57) **CLAIM**

The ornamental design for a mobile human interface robot, as shown and described.

(56) **References Cited**

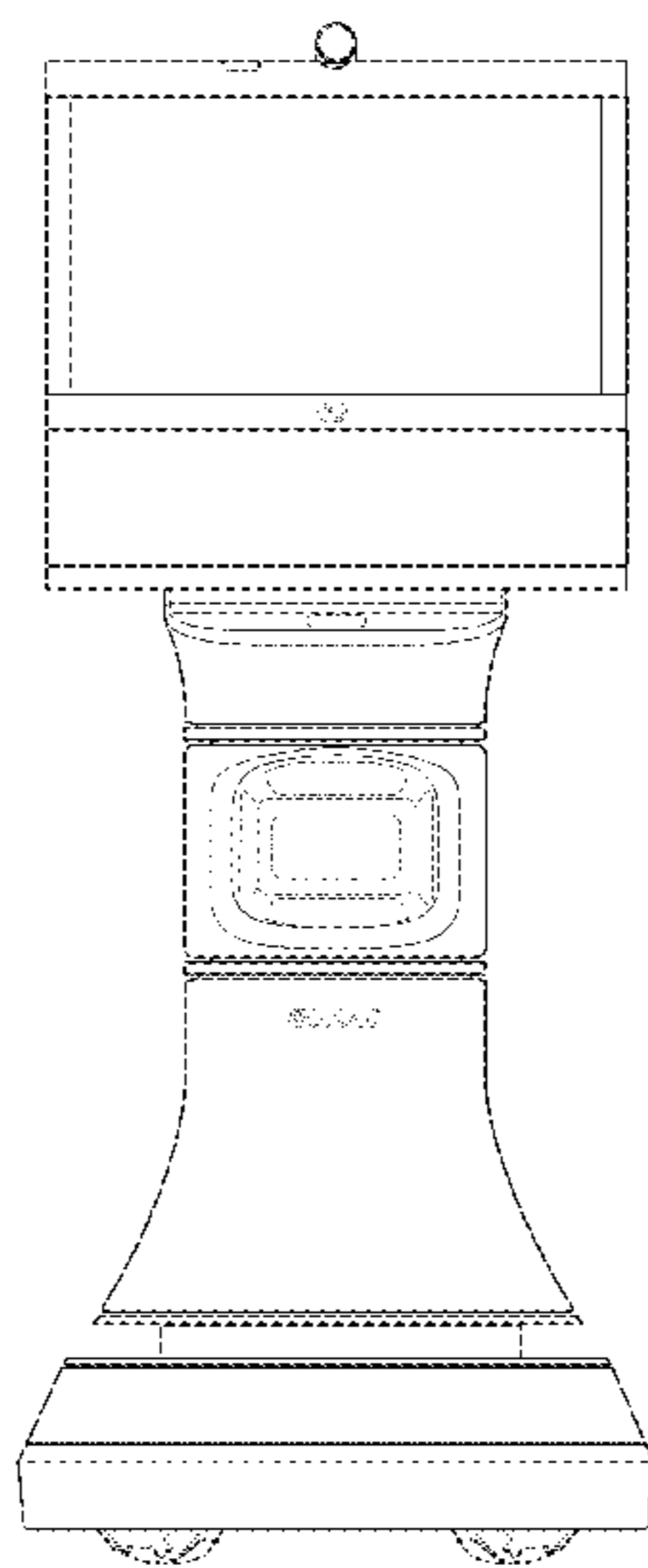
U.S. PATENT DOCUMENTS

D314,401	S *	2/1991	Lehman et al. ....	D20/3
D427,742	S *	7/2000	McCormack et al. ....	D99/28
D431,708	S *	10/2000	McCormack et al. ....	D99/28
7,228,203	B2 *	6/2007	Koselka et al. ....	700/245
D549,756	S *	8/2007	Park et al. ....	D15/199
D553,655	S *	10/2007	Jennings et al. ....	D15/199
D563,443	S *	3/2008	Ahn et al. ....	D15/199
D571,678	S *	6/2008	Hinshaw .....	D10/70
D572,739	S *	7/2008	Jennings et al. ....	D15/199
D579,035	S *	10/2008	Kim et al. ....	D15/199
D585,943	S *	2/2009	Pymm et al. ....	D20/10
D590,387	S *	4/2009	Chen .....	D14/307

**DESCRIPTION**

FIG. 1 is a front view of a mobile human interface robot, showing our new design;  
FIG. 2 is a rear view thereof;  
FIG. 3 is a left side view thereof;  
FIG. 4 is a right side view thereof; and,  
FIG. 5 is a top plan view thereof.  
The dashed lines in the drawing views depict portions of the design that form no part of the claim.

**1 Claim, 5 Drawing Sheets**



(56)

**References Cited**

**OTHER PUBLICATIONS**

U.S. PATENT DOCUMENTS

D695,345 S \* 12/2013 Park et al. .... D19/59  
D696,658 S \* 12/2013 Winston et al. .... D14/307  
D701,256 S \* 3/2014 Song et al. .... D15/199

Australian examination report for related Application No.  
2011256720 dated Mar. 27, 2014.

\* cited by examiner

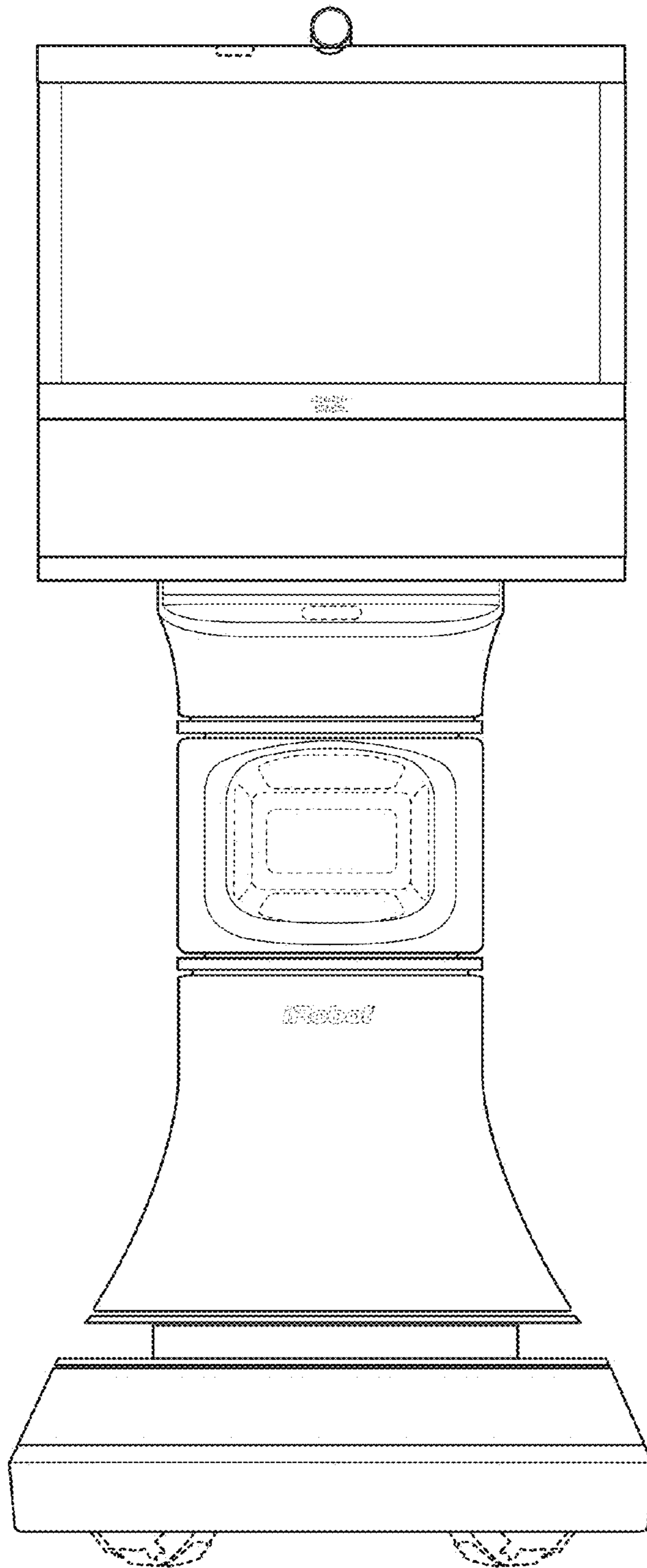


FIG. 1

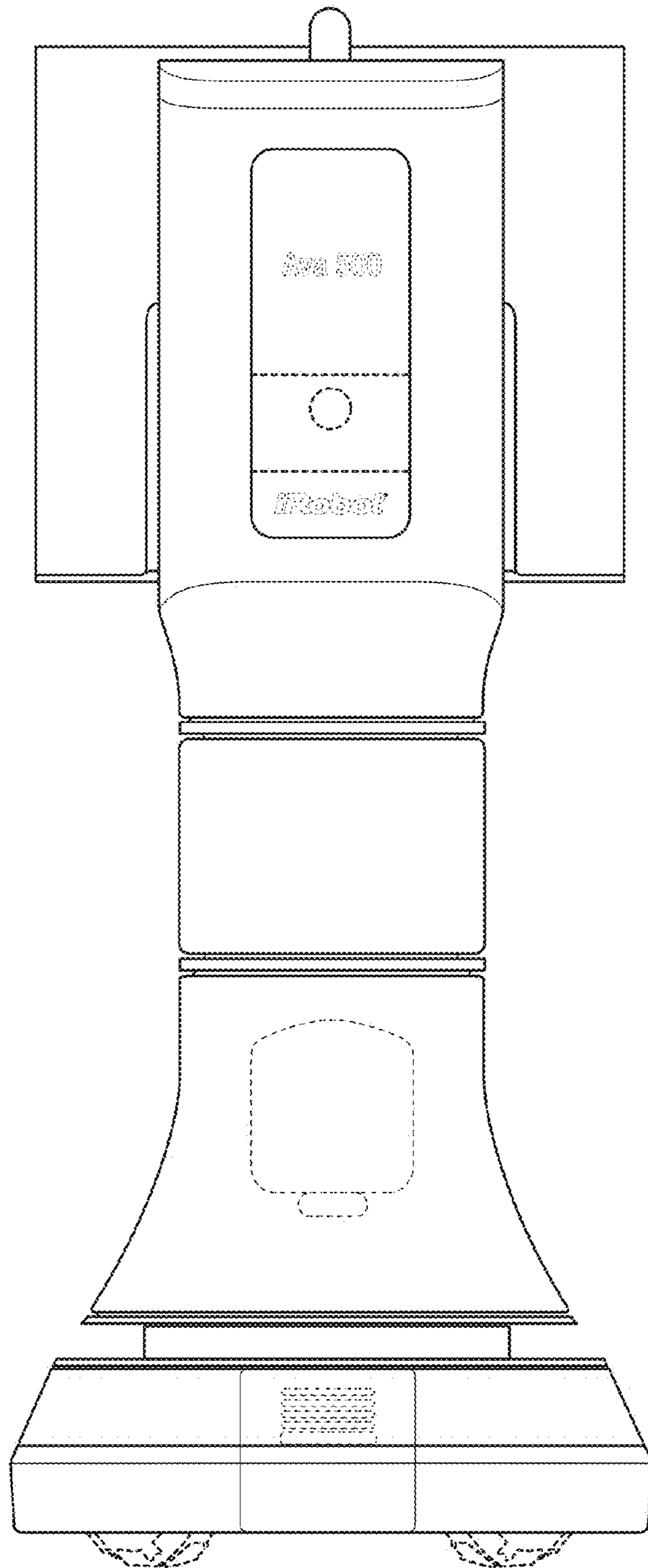


FIG. 2

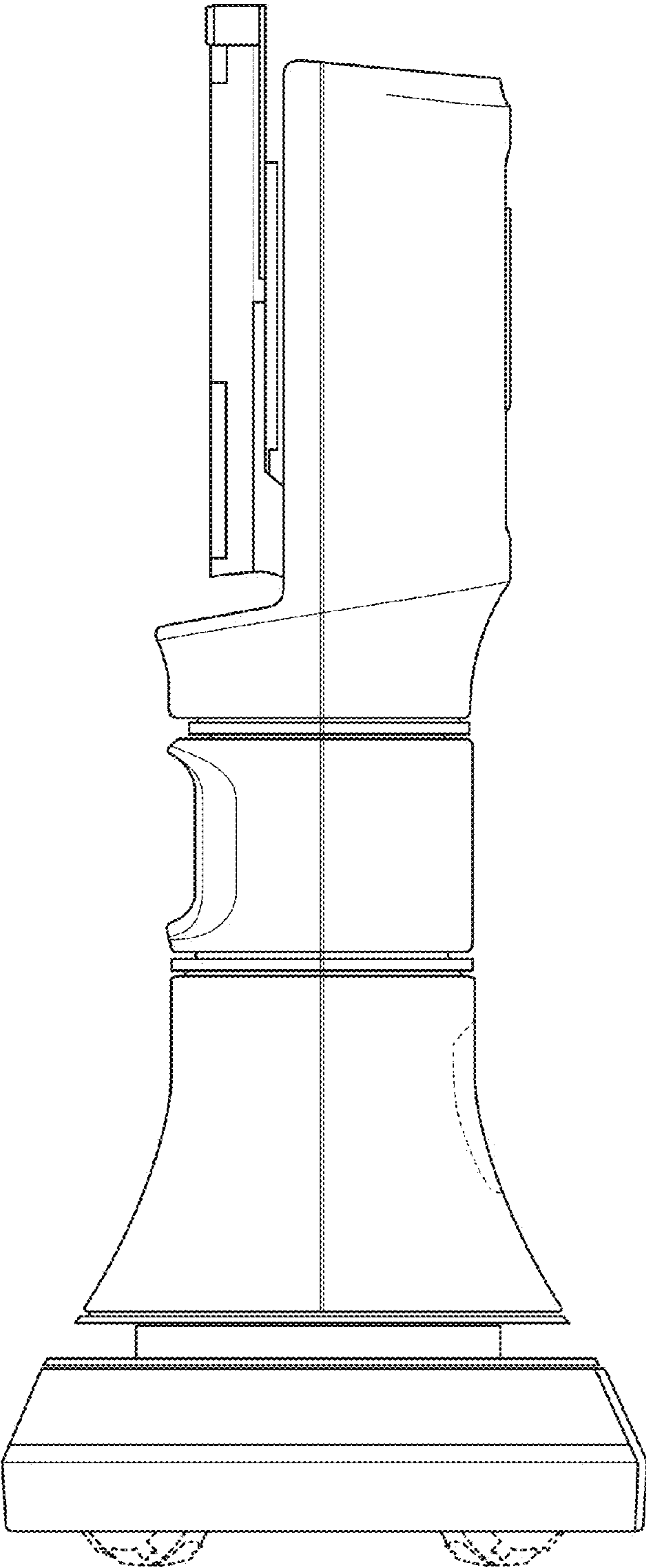


FIG. 3

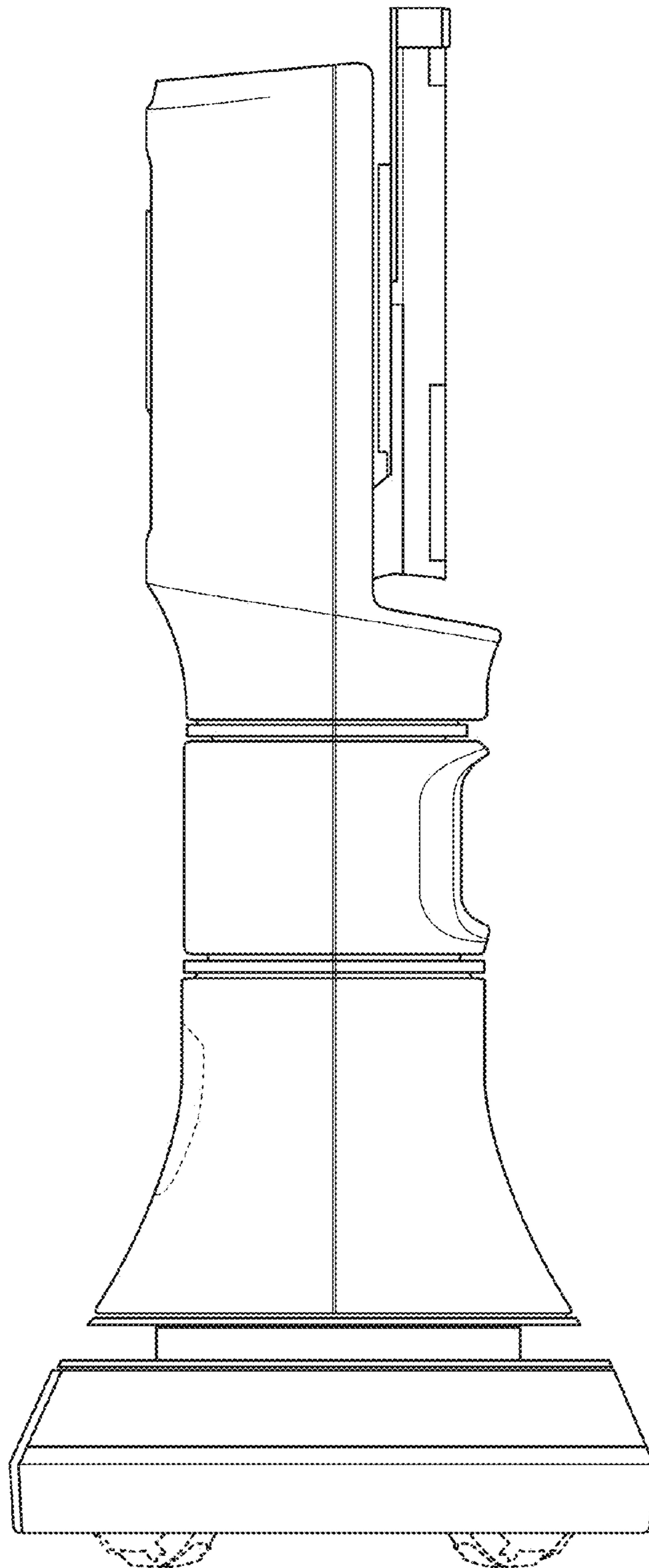


FIG. 4



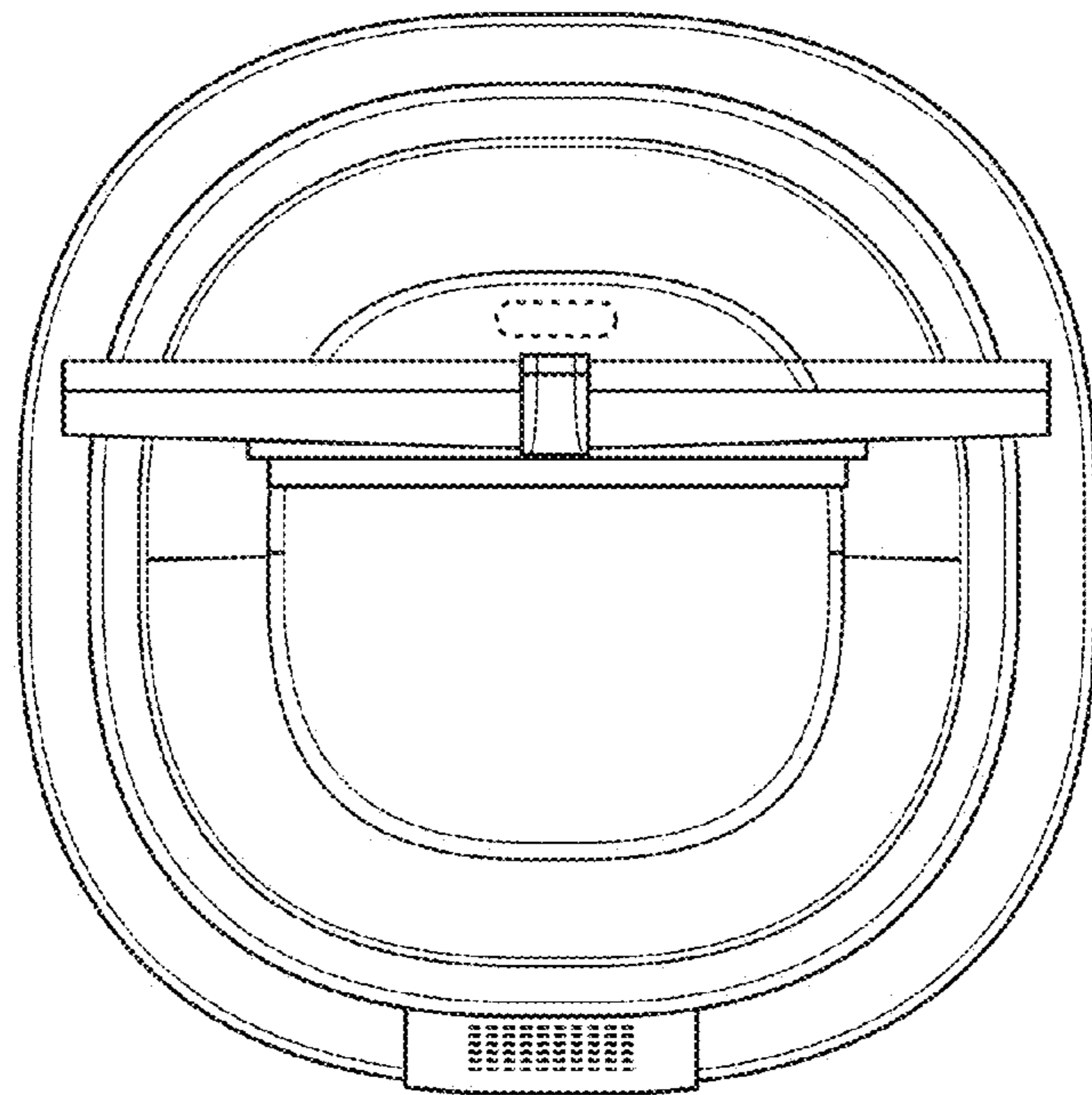


FIG. 5