

US00D735257S

(12) **United States Design Patent**
Fancelli et al.

(10) **Patent No.:** **US D735,257 S**
(45) **Date of Patent:** **** Jul. 28, 2015**

(54) **GRAIN SEPARATOR**

(75) Inventors: **Paolo Fancelli**, Bellinzona (CH); **Bruno Fässler**, Appenzell (CH); **Jürgen Moosmann**, Berg (DE)

(73) Assignee: **Bühler AG**, Uzwil (CH)

(**) Term: **14 Years**

(21) Appl. No.: **29/404,725**

(22) Filed: **Oct. 25, 2011**

(30) **Foreign Application Priority Data**

May 3, 2011 (WO) 601068801

(51) **LOC (10) Cl.** **15-03**

(52) **U.S. Cl.**
USPC **D15/147**

(58) **Field of Classification Search**
USPC D15/10, 28, 123, 147, 199; 209/147,
209/721, 233, 691

See application file for complete search history.

(56) **References Cited**

U.S. PATENT DOCUMENTS

3,727,755	A *	4/1973	Cristiani	209/45
4,089,777	A *	5/1978	Macaulay et al.	209/259
4,454,029	A *	6/1984	Codding	209/581
D283,226	S *	4/1986	Hornhardt et al.	D15/27
4,583,645	A *	4/1986	Yamamoto	209/694
4,614,271	A *	9/1986	Yamamoto	209/694
4,721,561	A	1/1988	Oetiker et al.		
4,727,990	A *	3/1988	Satake	209/557
D306,597	S *	3/1990	Vanden Bos	D15/10
D308,526	S *	6/1990	Stalder et al.	D15/10
4,978,011	A *	12/1990	Gorlitz et al.	209/694

4,979,622	A *	12/1990	Chiang	209/33
5,013,280	A *	5/1991	Zachary	460/80
D338,892	S *	8/1993	Crawford	D15/10
D472,909	S *	4/2003	Satake et al.	D15/199
6,896,477	B1	5/2005	Kertesz		
7,051,880	B1	5/2006	Bills		
D523,025	S *	6/2006	Ikuta et al.	D15/10
D549,247	S *	8/2007	Yorioka et al.	D15/131
7,681,736	B2 *	3/2010	Brandner et al.	209/218
7,862,412	B2 *	1/2011	Ernst et al.	460/79
D681,063	S *	4/2013	Kanemoto et al.	D15/10
2005/0032560	A1 *	2/2005	Hauch et al.	460/79
2005/0055736	A1 *	3/2005	Hepfner et al.	800/23

FOREIGN PATENT DOCUMENTS

EP	0602557	6/1994
EP	0668108	8/1995

* cited by examiner

Primary Examiner — Mark Goodwin

(74) *Attorney, Agent, or Firm* — Davis & Bujold, P.L.L.C.;
Michael J. Bujold

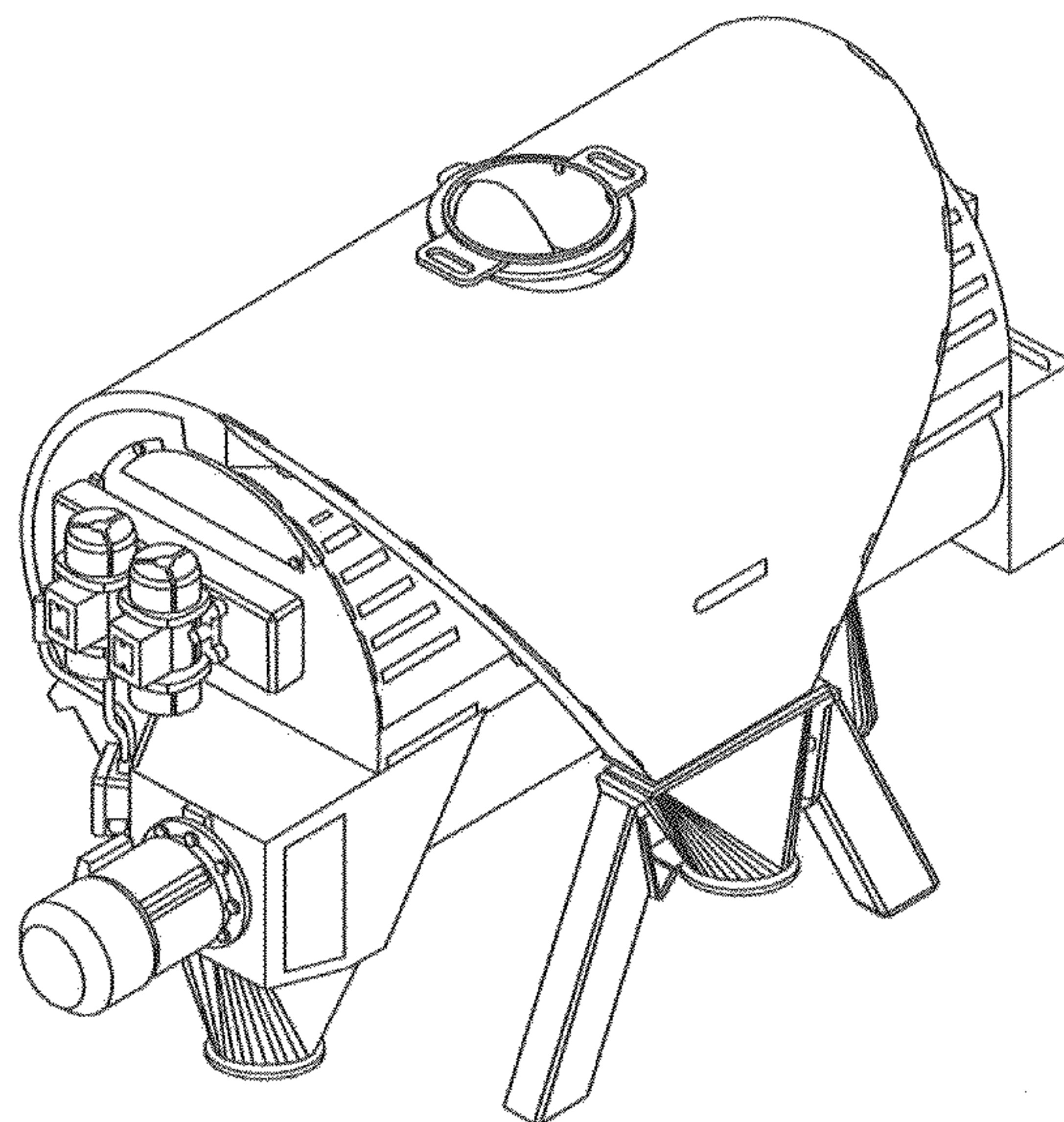
(57) **CLAIM**

The ornamental design for a grain separator, as shown and described.

DESCRIPTION

FIG. 1 is a top, front and right side perspective view of a grain separator showing our new design;
FIG. 2 is a rear elevational view thereof;
FIG. 3 is a right side elevational view thereof;
FIG. 4 is a top plan view thereof;
FIG. 5 is a left side elevational view thereof;
FIG. 6 is a bottom plan view thereof; and,
FIG. 7 is a front elevational view thereof.

1 Claim, 7 Drawing Sheets



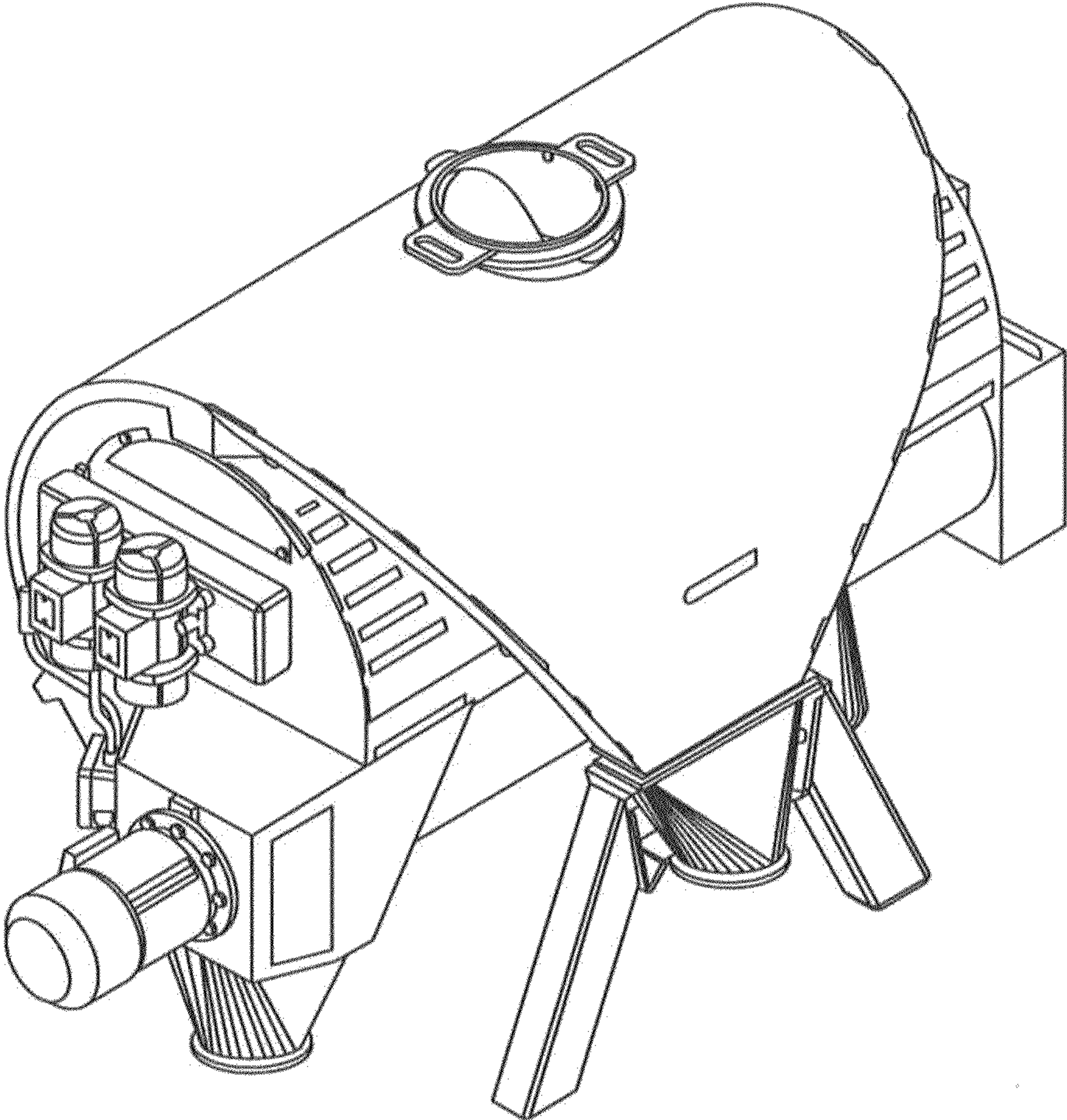


FIG. 1

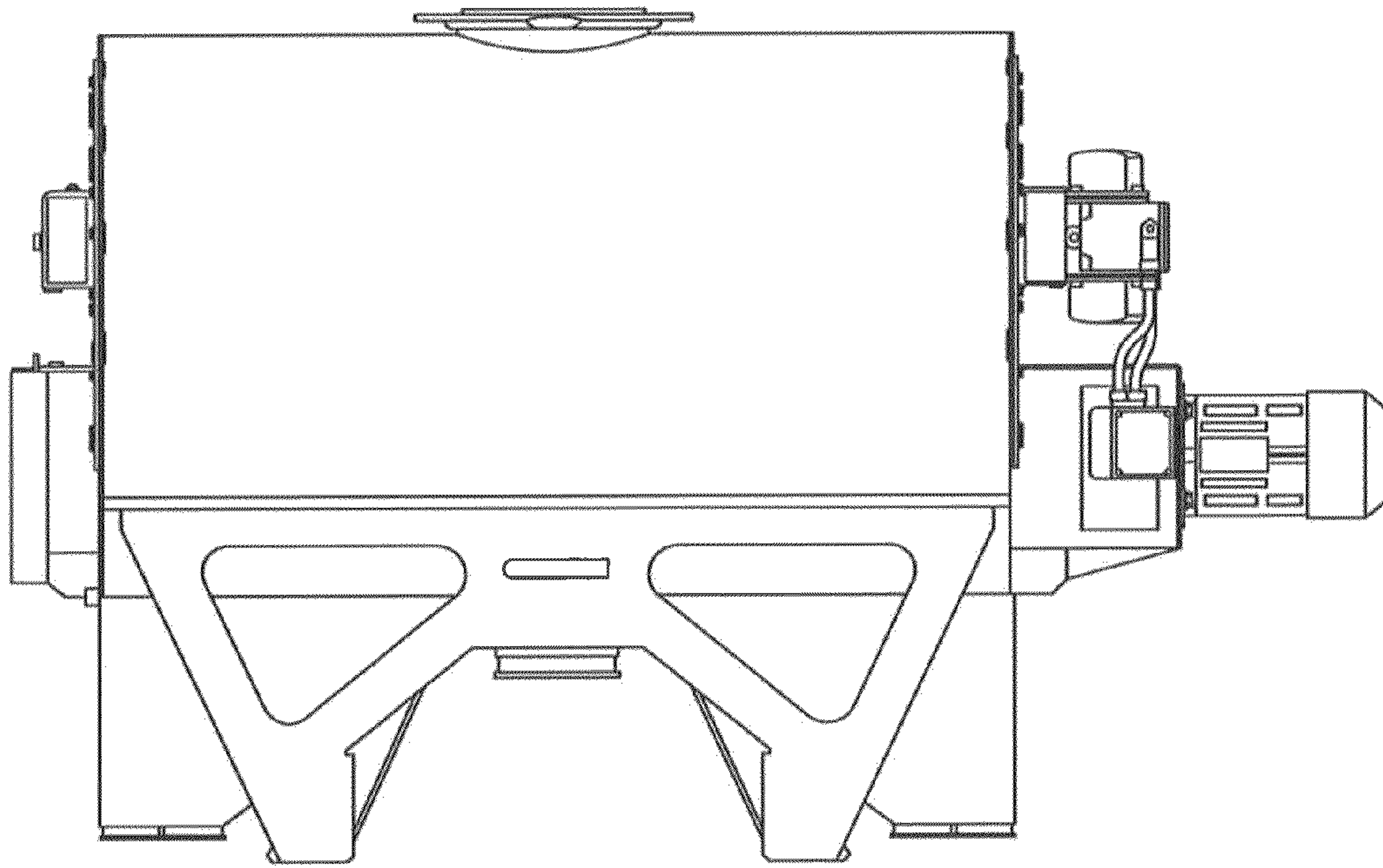


FIG. 2

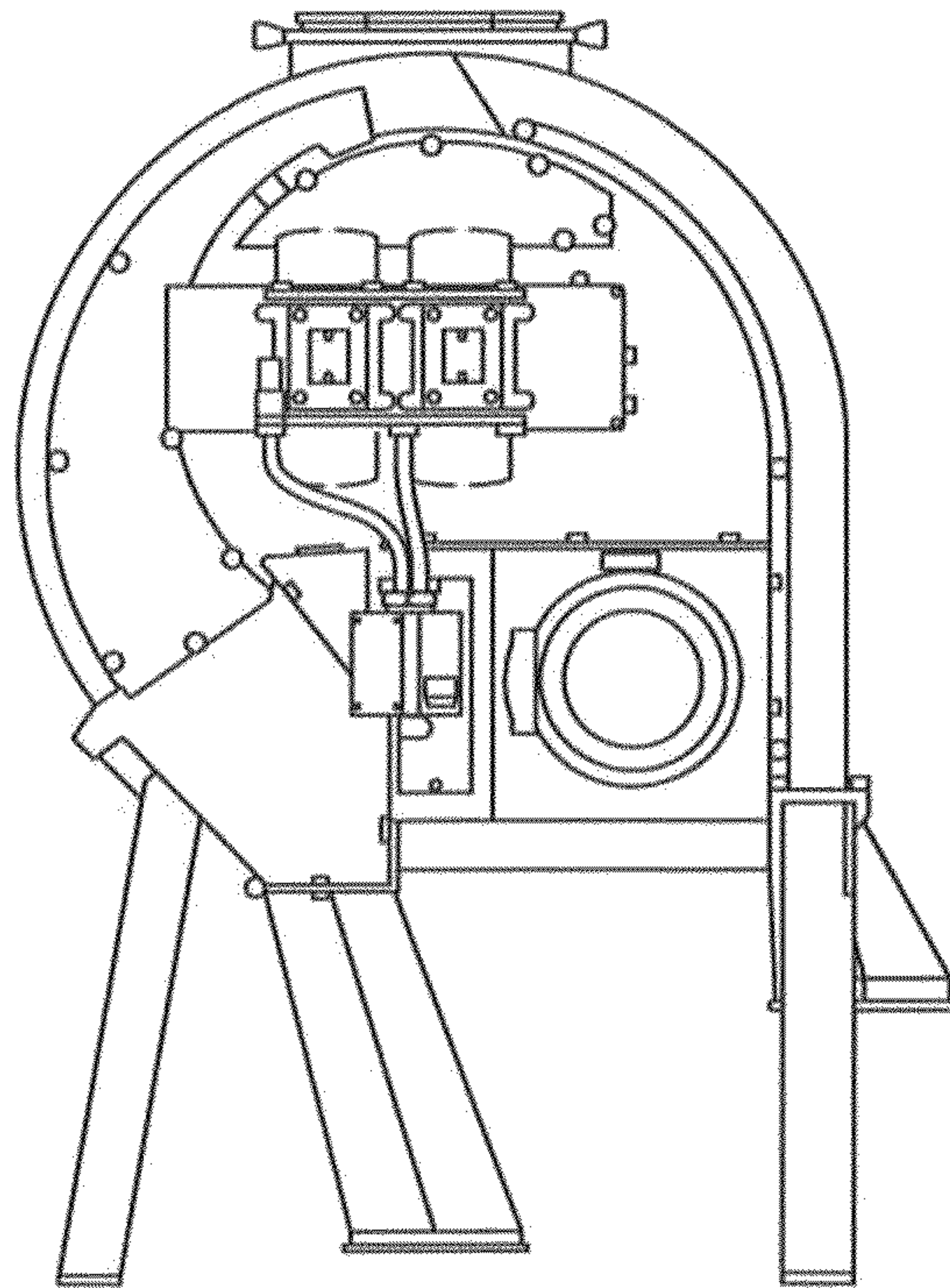


FIG. 3

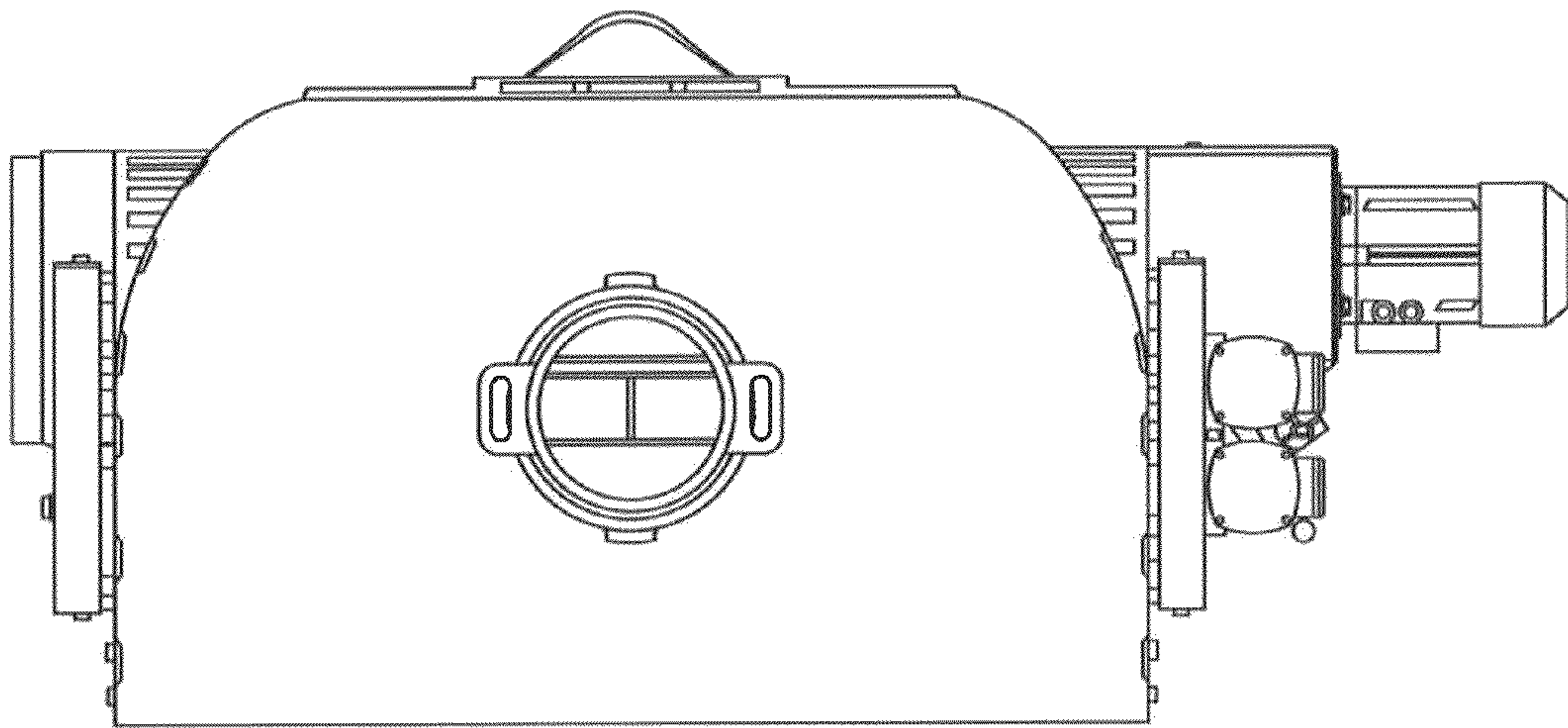


FIG. 4

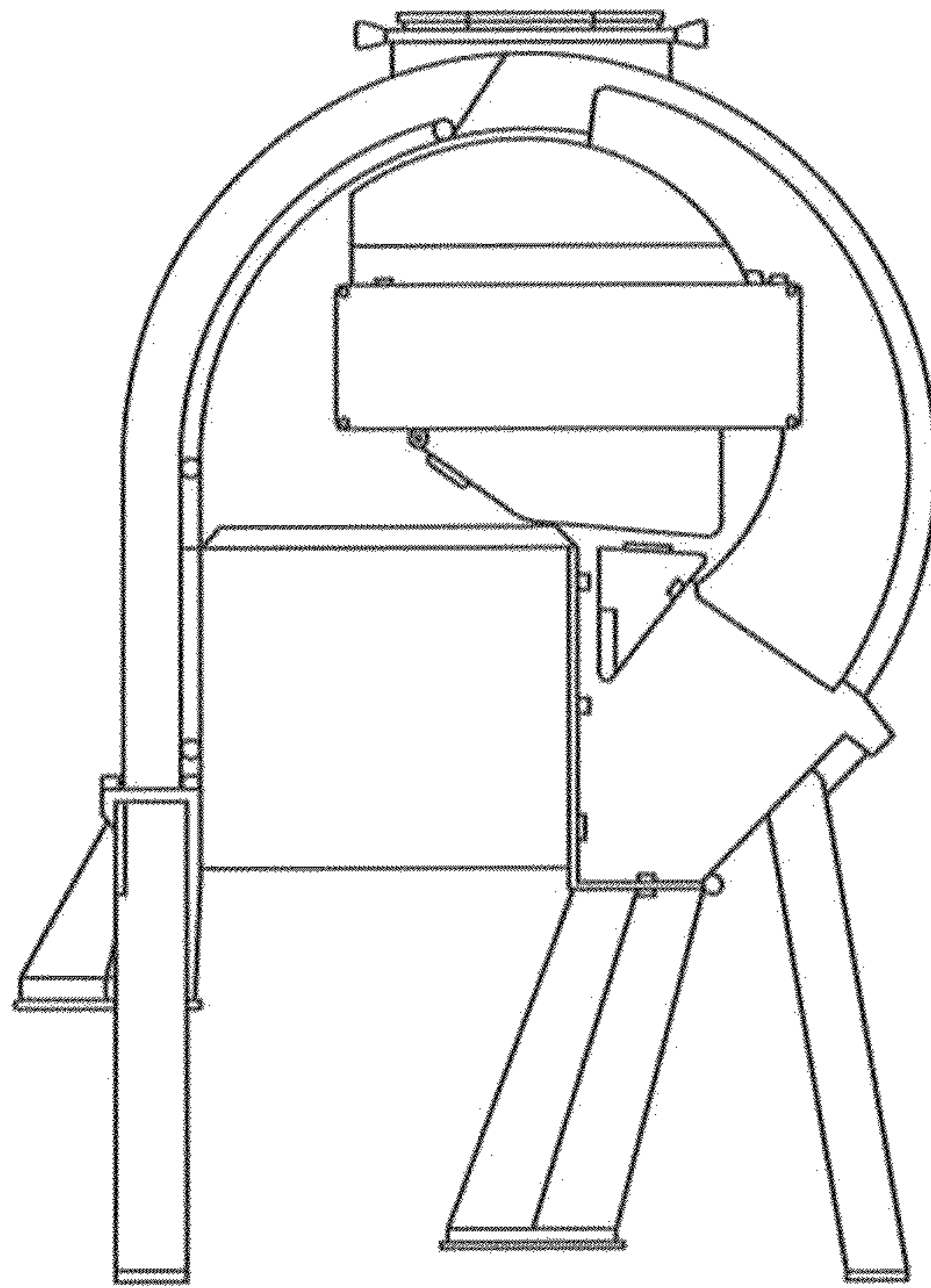


FIG. 5

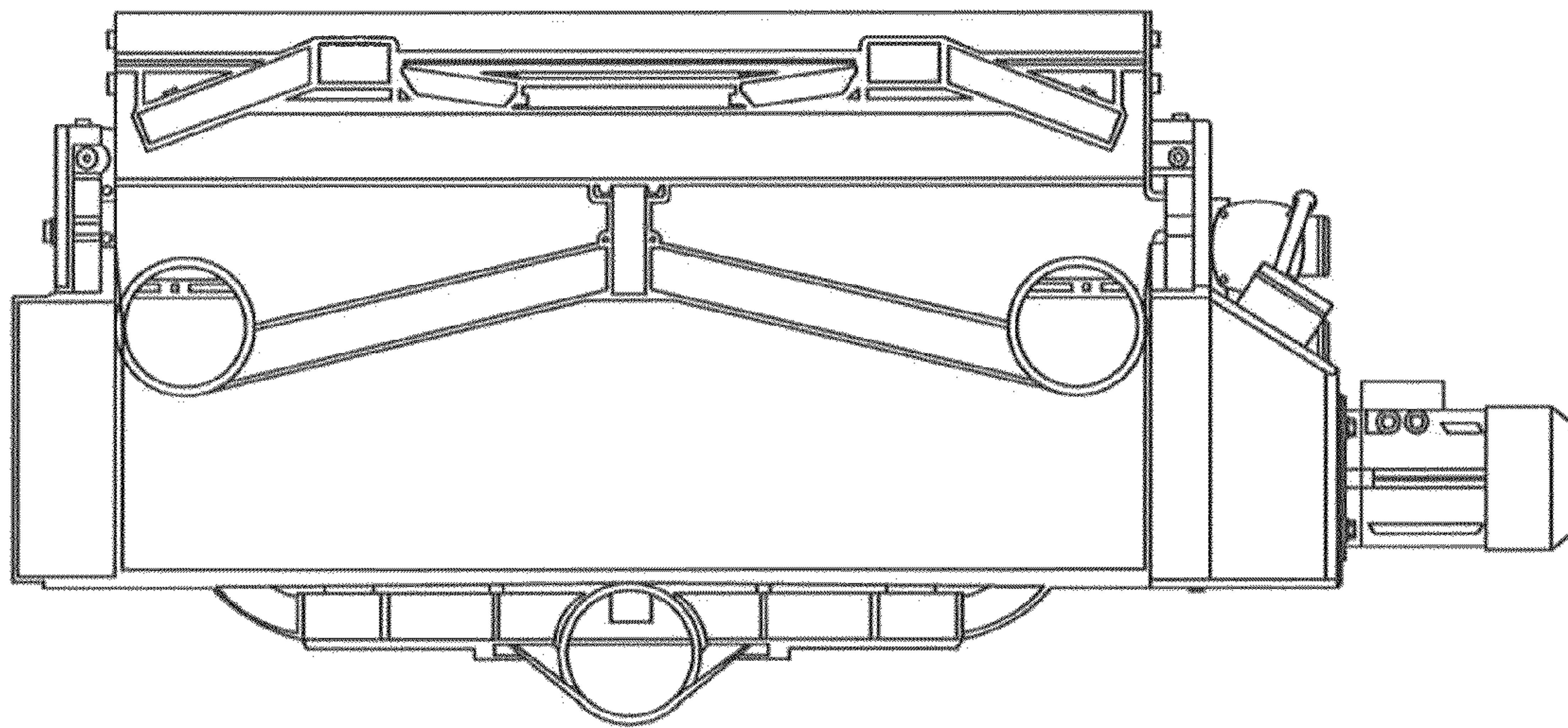


FIG. 6

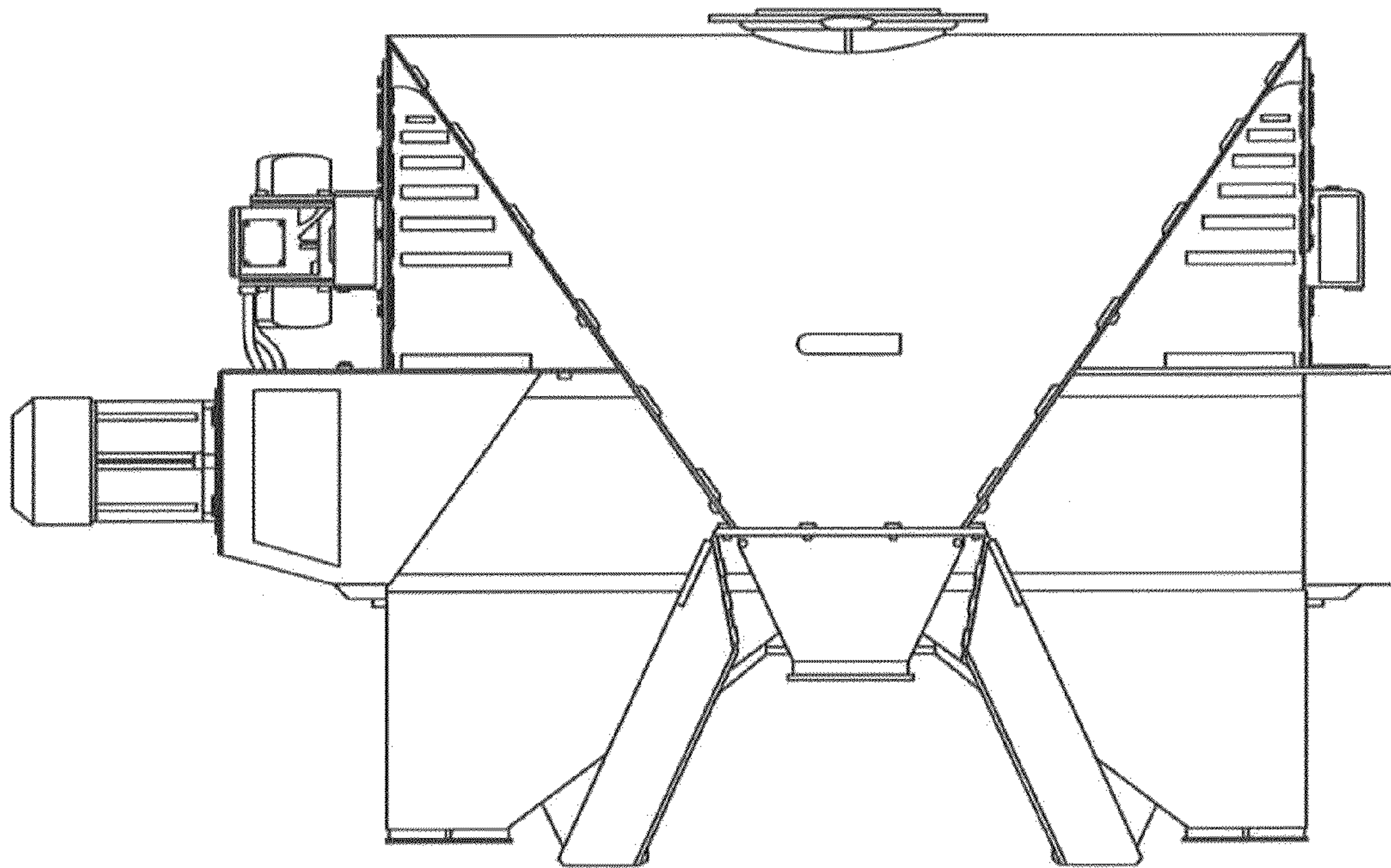


FIG. 7