



US00D735253S

(12) **United States Design Patent**
Bausback

(10) **Patent No.:** **US D735,253 S**
(45) **Date of Patent:** **** Jul. 28, 2015**

(54) **WORKING MACHINE**

(75) Inventor: **Christiane Bausback**, Munich (DE)

(73) Assignee: **GIESECKE & DEVRIENT, GMBH**,
Munich (DE)

(**) Term: **14 Years**

(21) Appl. No.: **29/425,291**

(22) Filed: **Jun. 21, 2012**

(30) **Foreign Application Priority Data**

Dec. 23, 2011	(EM)	001307664-0001
Dec. 23, 2011	(EM)	001307664-0002
Dec. 23, 2011	(EM)	001307664-0003
Dec. 23, 2011	(EM)	001307664-0004
Dec. 23, 2011	(EM)	001307664-0005
Dec. 23, 2011	(EM)	001307664-0006
Dec. 23, 2011	(EM)	001307664-0007
Dec. 23, 2011	(EM)	001307664-0008
Dec. 23, 2011	(EM)	001307664-0009
Dec. 23, 2011	(EM)	001307664-0010
Dec. 23, 2011	(EM)	001307664-0011
Dec. 23, 2011	(EM)	001307664-0012
Dec. 23, 2011	(EM)	001307664-0013

(51) **LOC (10) Cl.** **15-09**

(52) **U.S. Cl.**
USPC **D15/122**

(58) **Field of Classification Search**
USPC D15/122, 124, 127, 128, 130, 131;
29/30, 39, 50, 563-566, 564.1-564.8;
483/17-57

See application file for complete search history.

(56) **References Cited**

U.S. PATENT DOCUMENTS

D659,728	S	*	5/2012	Mueller	D15/122
D664,570	S	*	7/2012	Mueller	D15/122
D667,031	S	*	9/2012	Mueller	D15/122
D680,563	S	*	4/2013	Yang et al.	D15/122
D683,771	S	*	6/2013	Shimano et al.	D15/122
D690,744	S	*	10/2013	Koide et al.	D15/122
D694,787	S	*	12/2013	Mueller	D15/122
D696,315	S	*	12/2013	Schmid	D15/122
2008/0282854	A1	*	11/2008	Momoi et al.	82/1.11
2010/0166519	A1	*	7/2010	Leitold	409/131
2011/0225784	A1	*	9/2011	Li	29/27 R
2011/0243680	A1	*	10/2011	Okada et al.	409/132
2014/0206258	A1	*	7/2014	Peng	451/5
2014/0245870	A1	*	9/2014	Walz et al.	82/121

* cited by examiner

Primary Examiner — Patricia Palasik
(74) *Attorney, Agent, or Firm* — Bacon & Thomas, PLLC

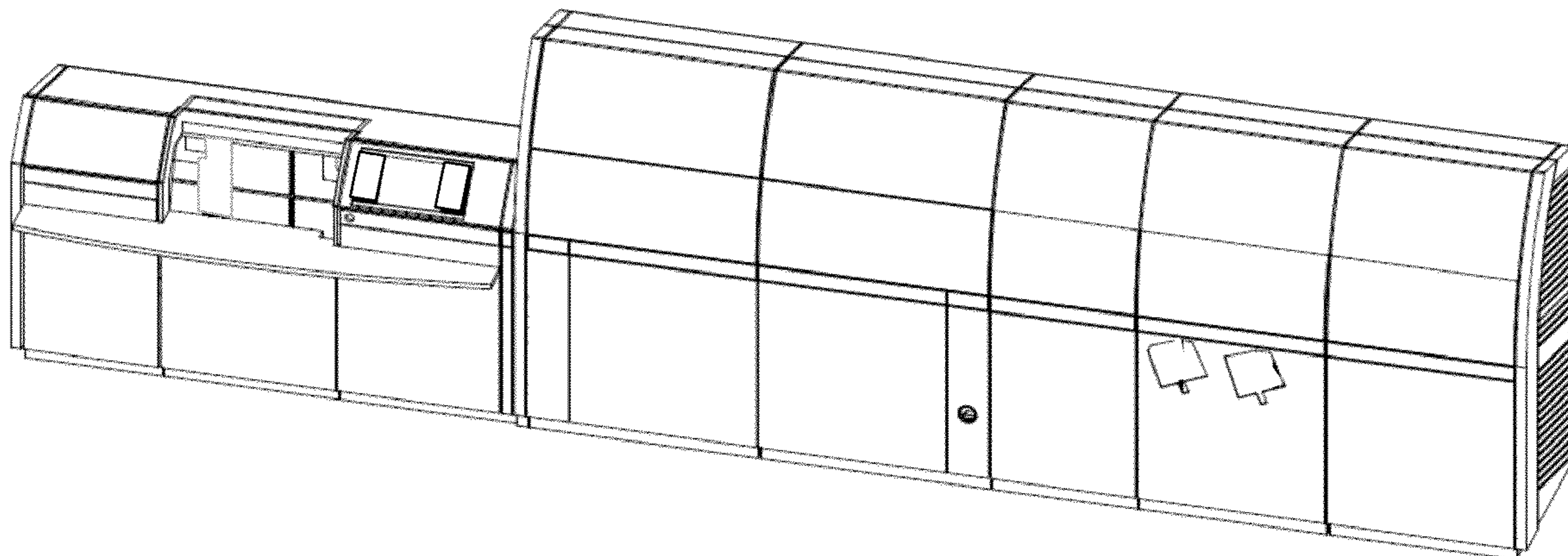
(57) **CLAIM**

The ornamental design for working machine, as shown and described.

DESCRIPTION

FIG. 1 is an upper right perspective view of my design for a working machine;
FIG. 2 is a front elevation view thereof;
FIG. 3 is a left side view thereof;
FIG. 4 is a right side view thereof;
FIG. 5 is a back elevation view thereof;
FIG. 6 is top plan view thereof;
FIG. 7 is a bottom view thereof;
FIG. 8 is an upper right perspective view of another embodiment of my design;
FIG. 9 is another front perspective view thereof;
FIG. 10 is a left side view thereof;
FIG. 11 is a right side view thereof;
FIG. 12 is a back elevation view thereof;
FIG. 13 is a top plan view thereof; and,
FIG. 14 is a bottom view thereof.

1 Claim, 7 Drawing Sheets



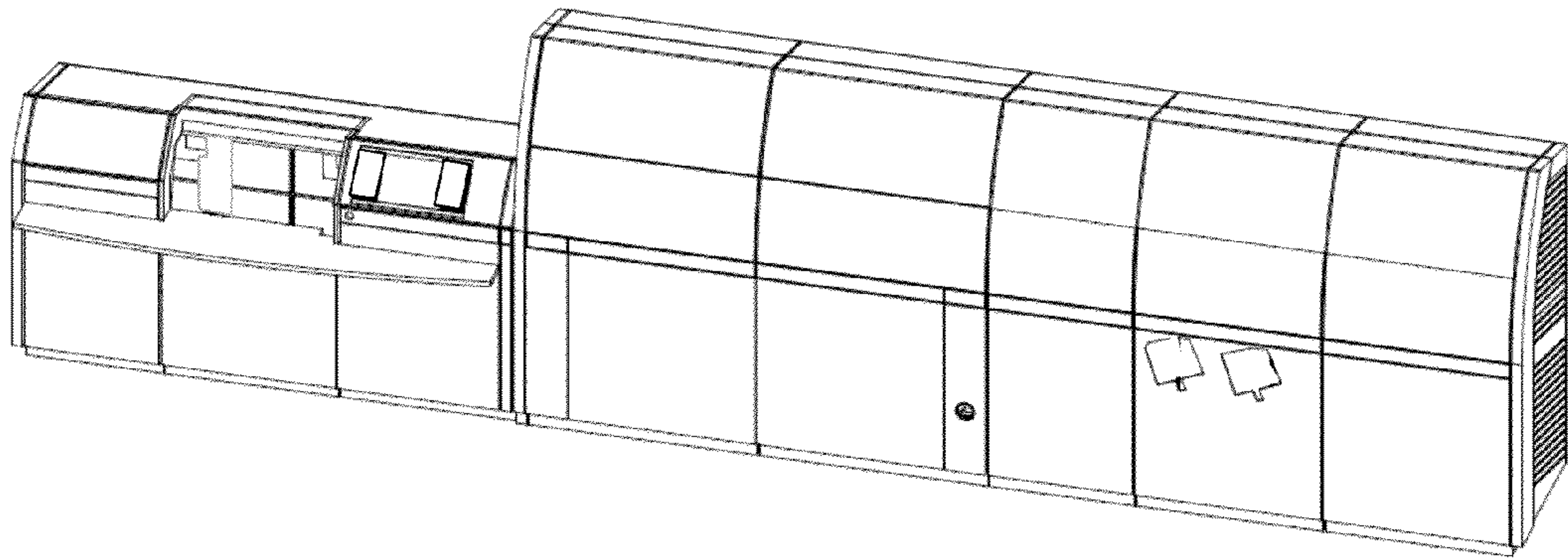


FIG. 1

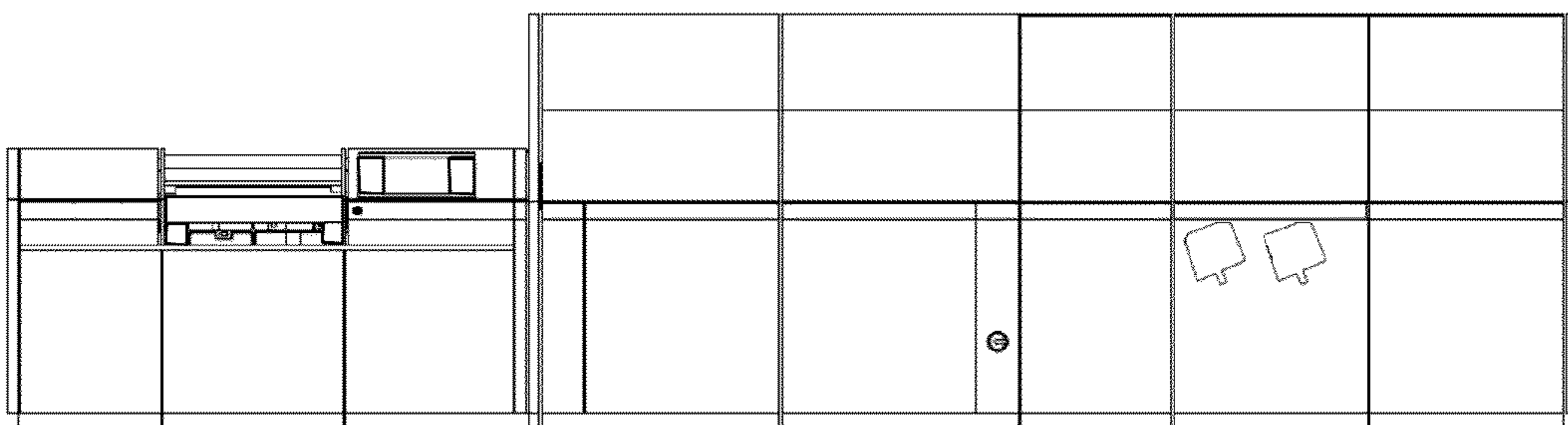


FIG. 2

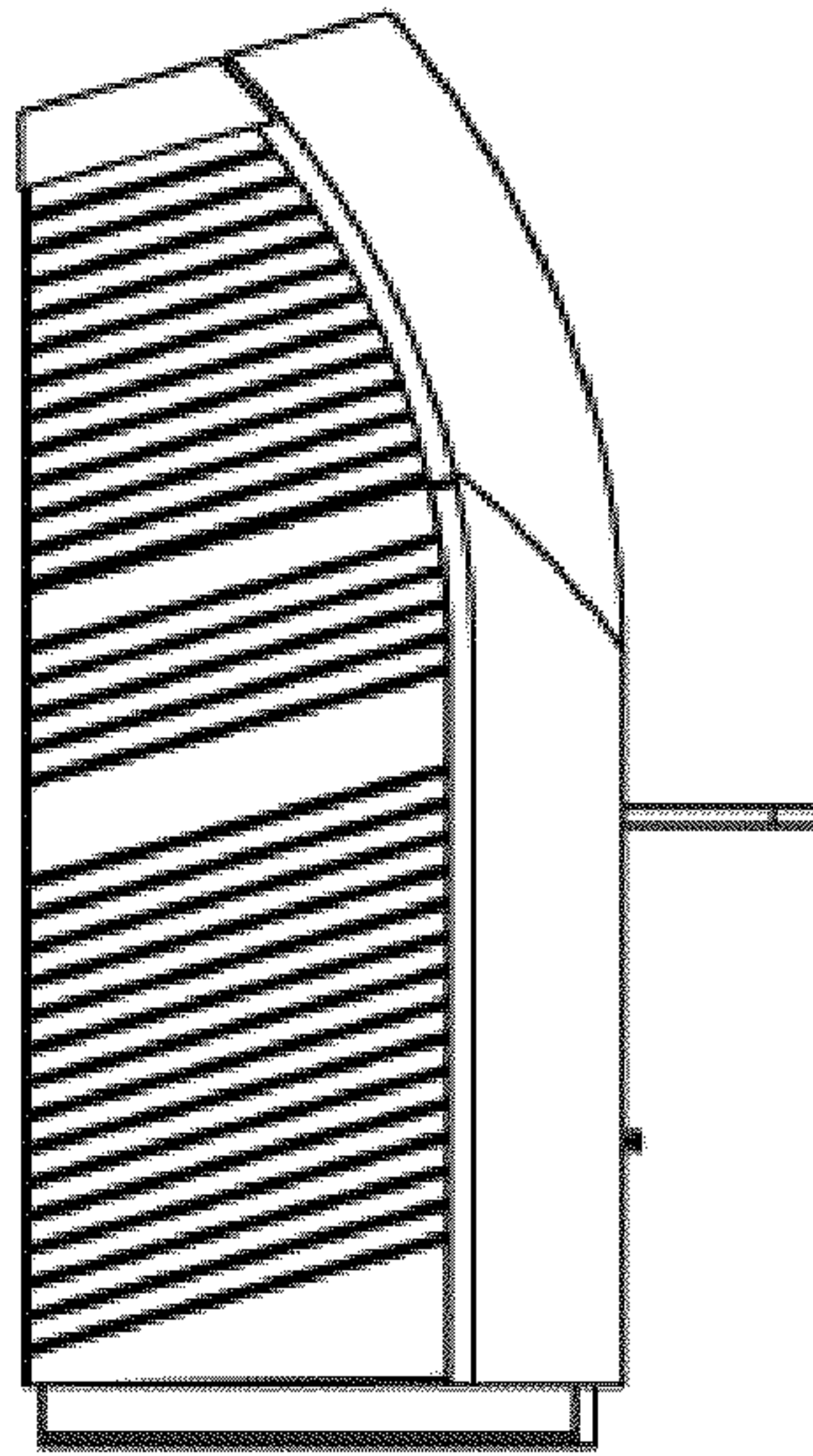


FIG. 3

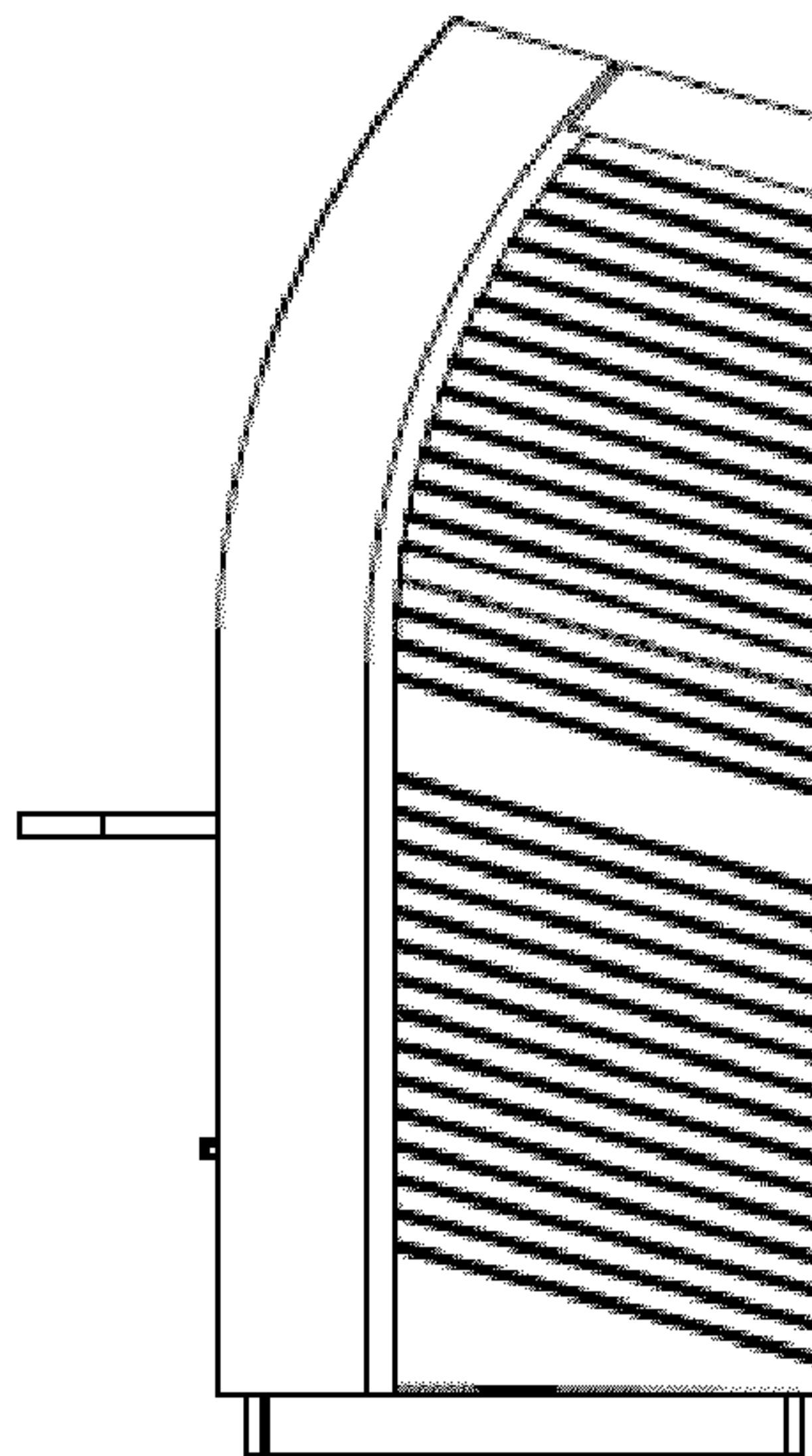


FIG. 4

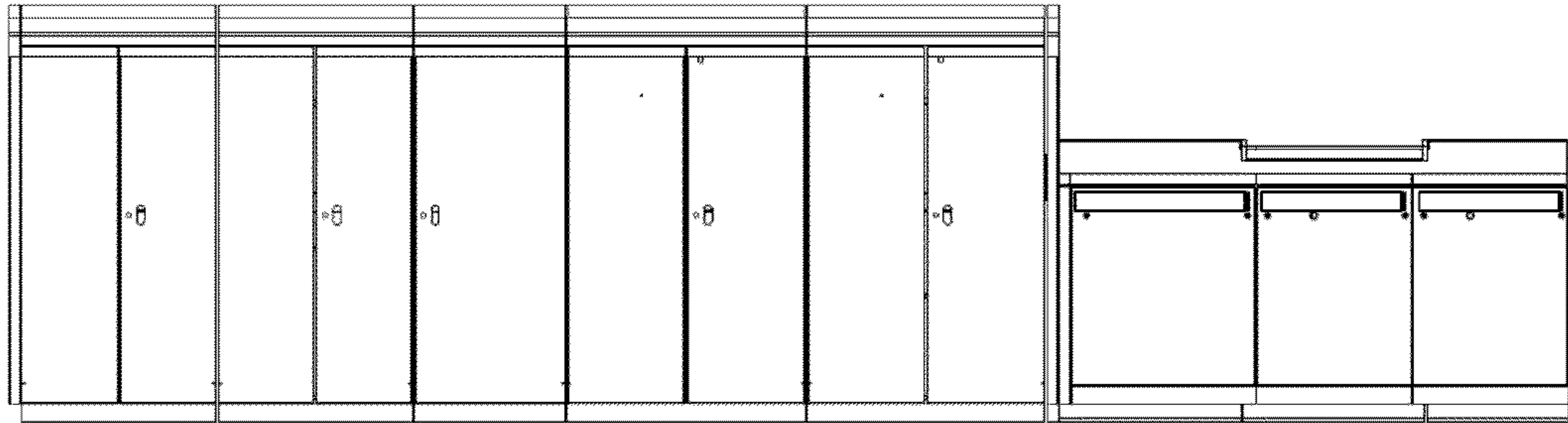


FIG. 5

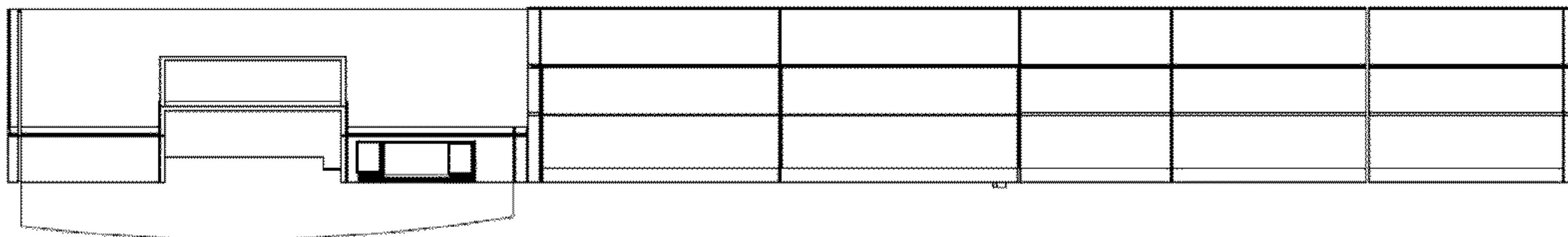


FIG. 6

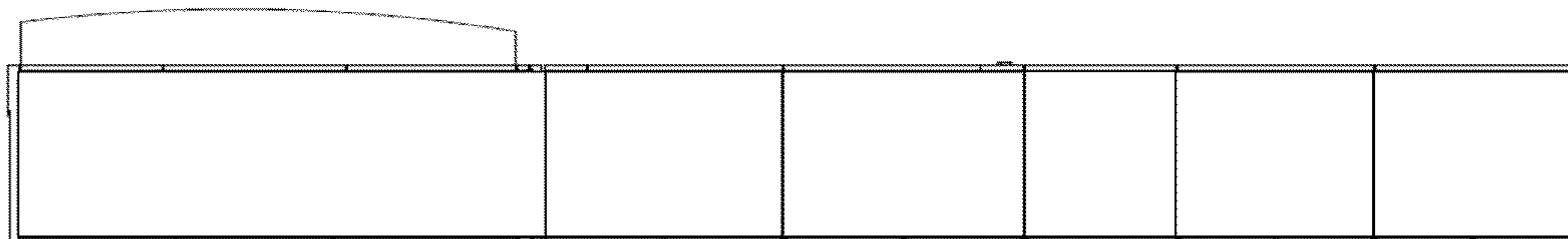


FIG. 7

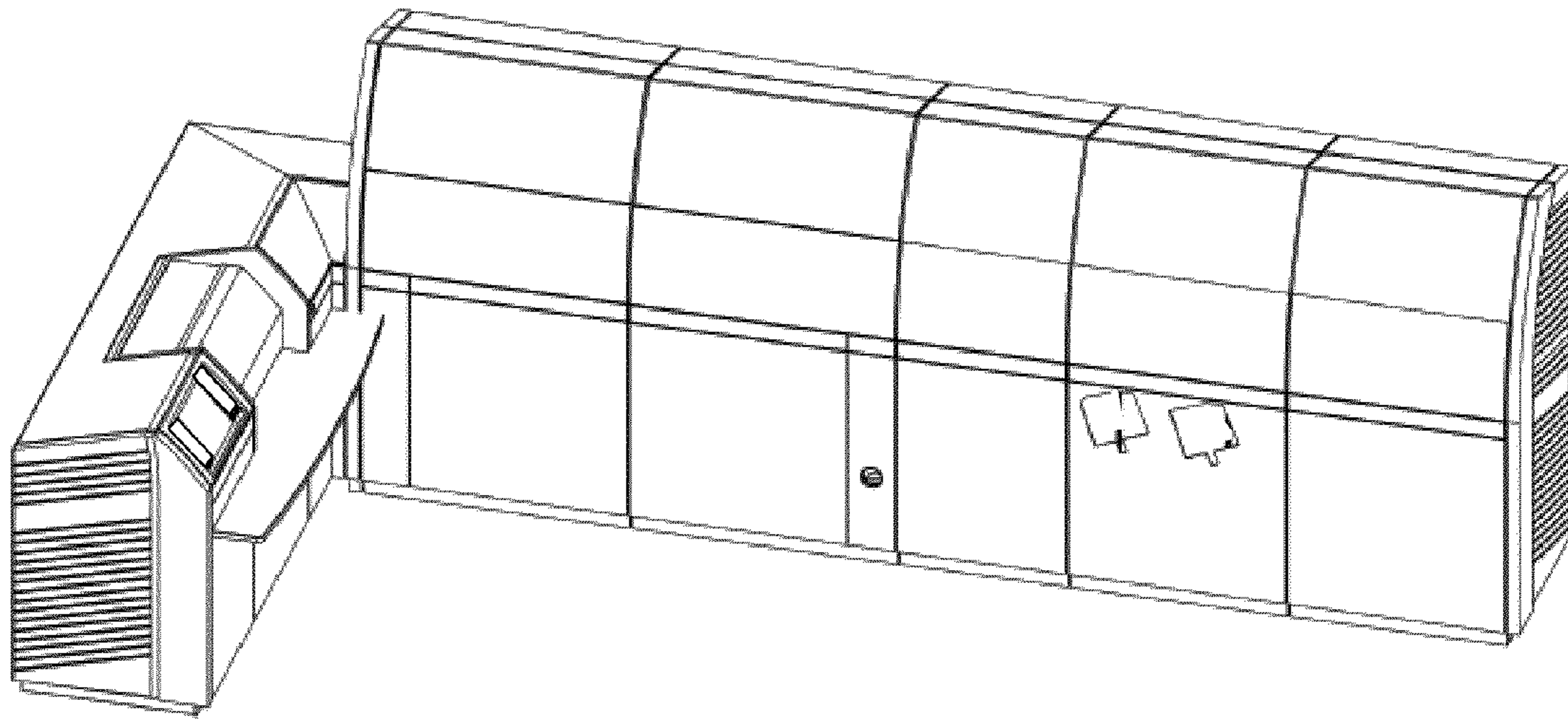


FIG. 8

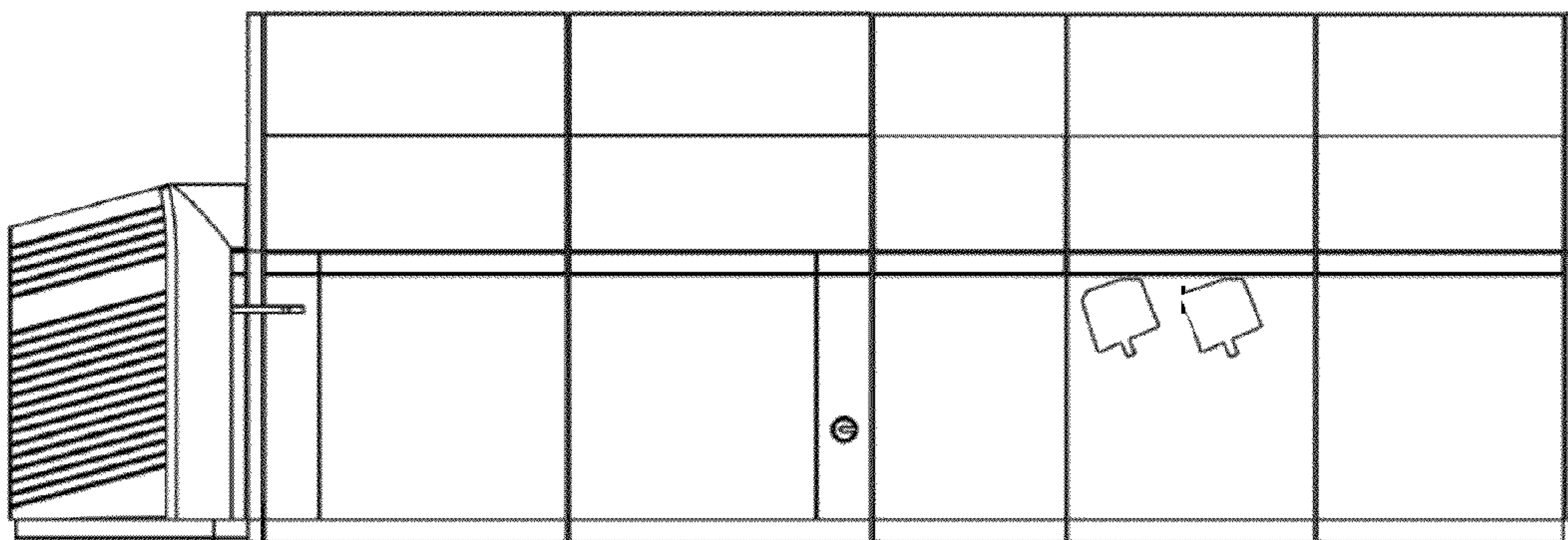


FIG. 9

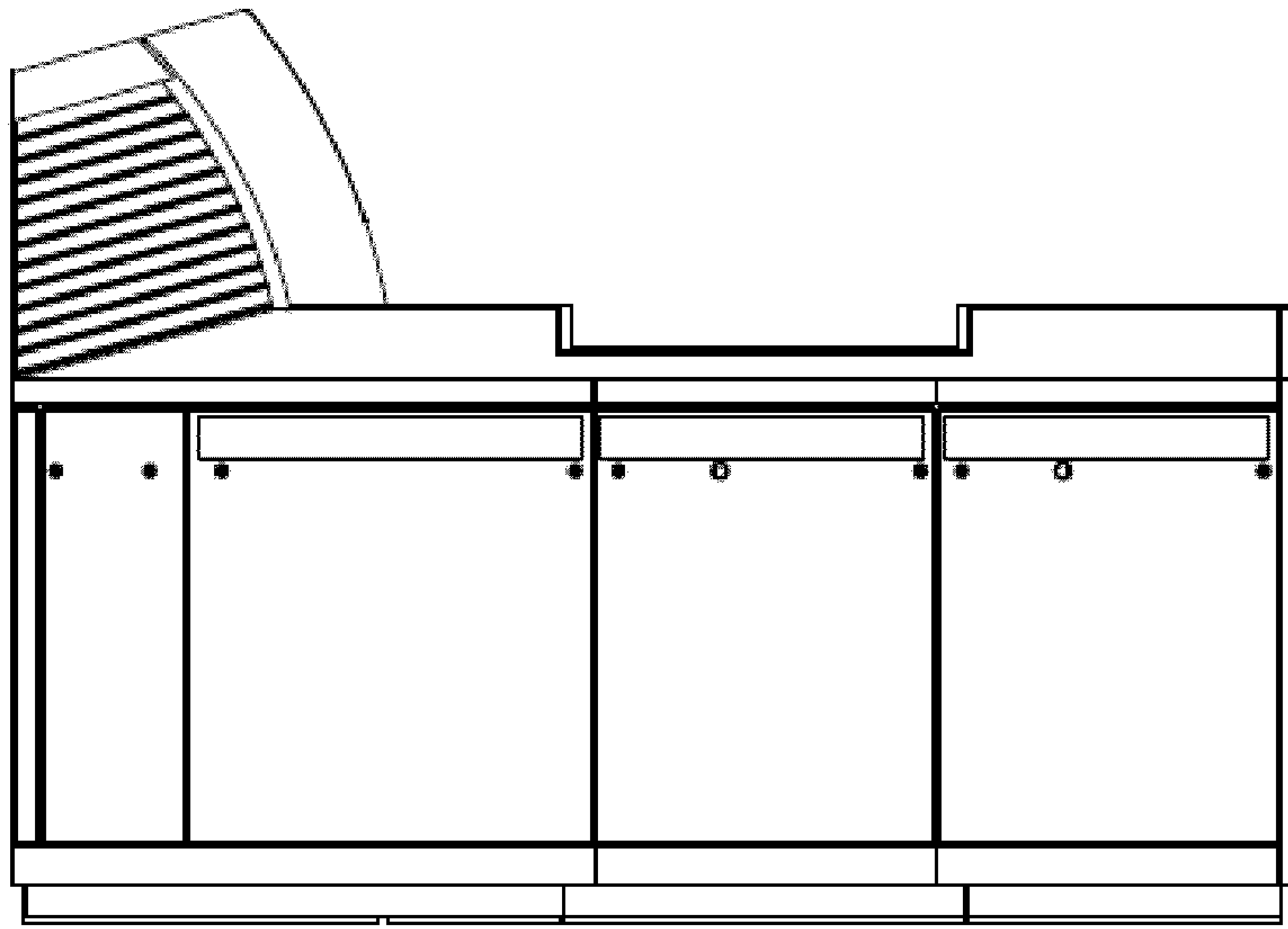


FIG. 10

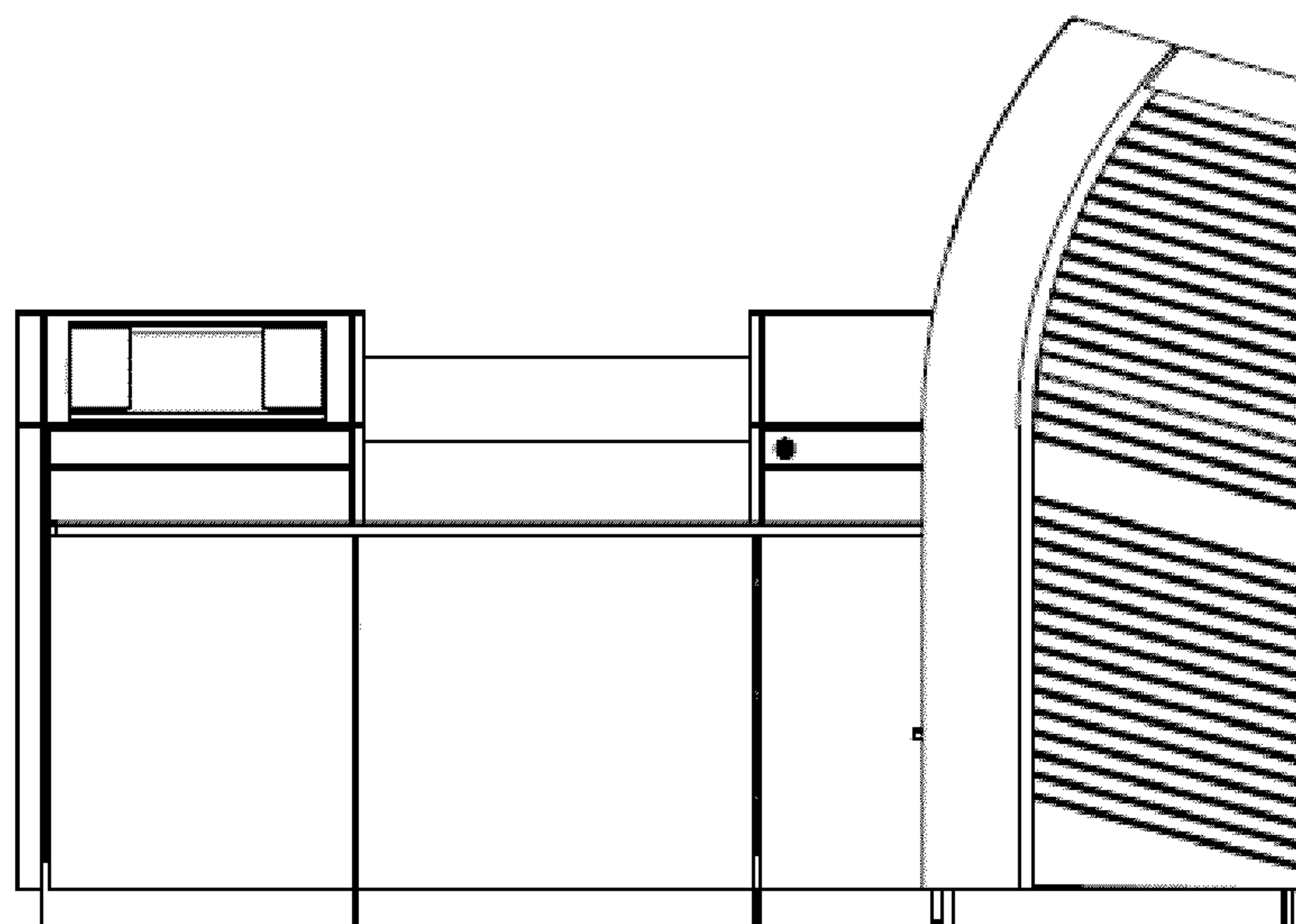


FIG. 11

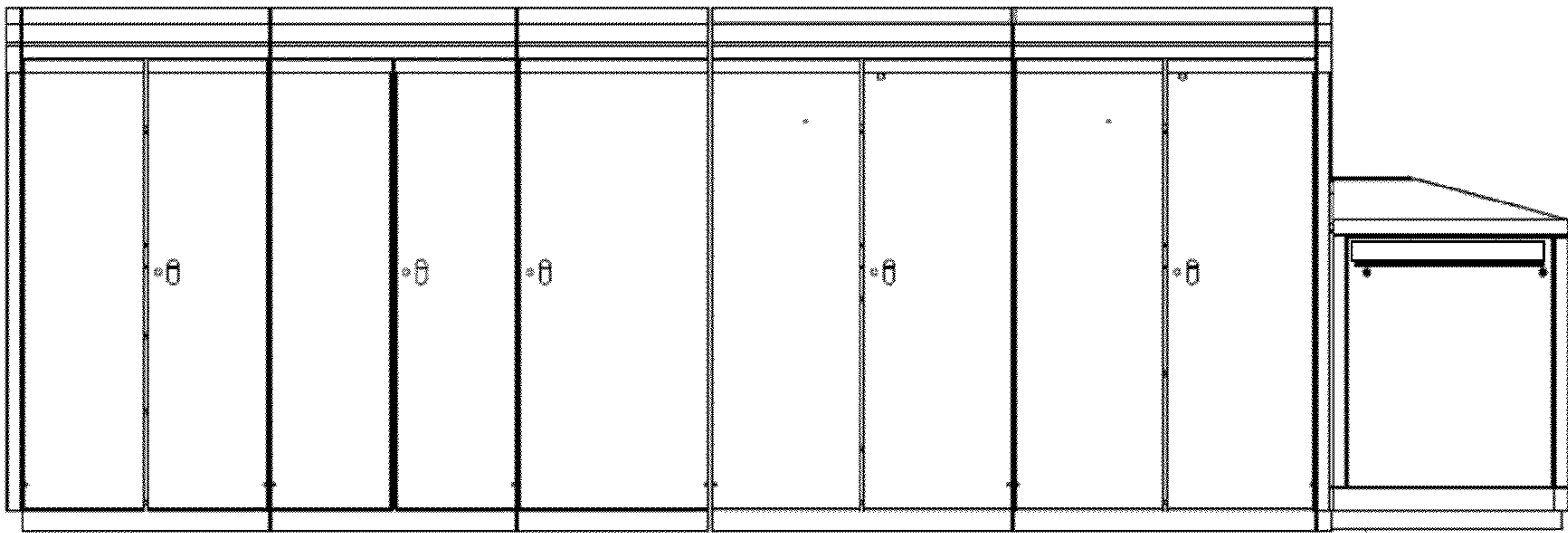


FIG. 12

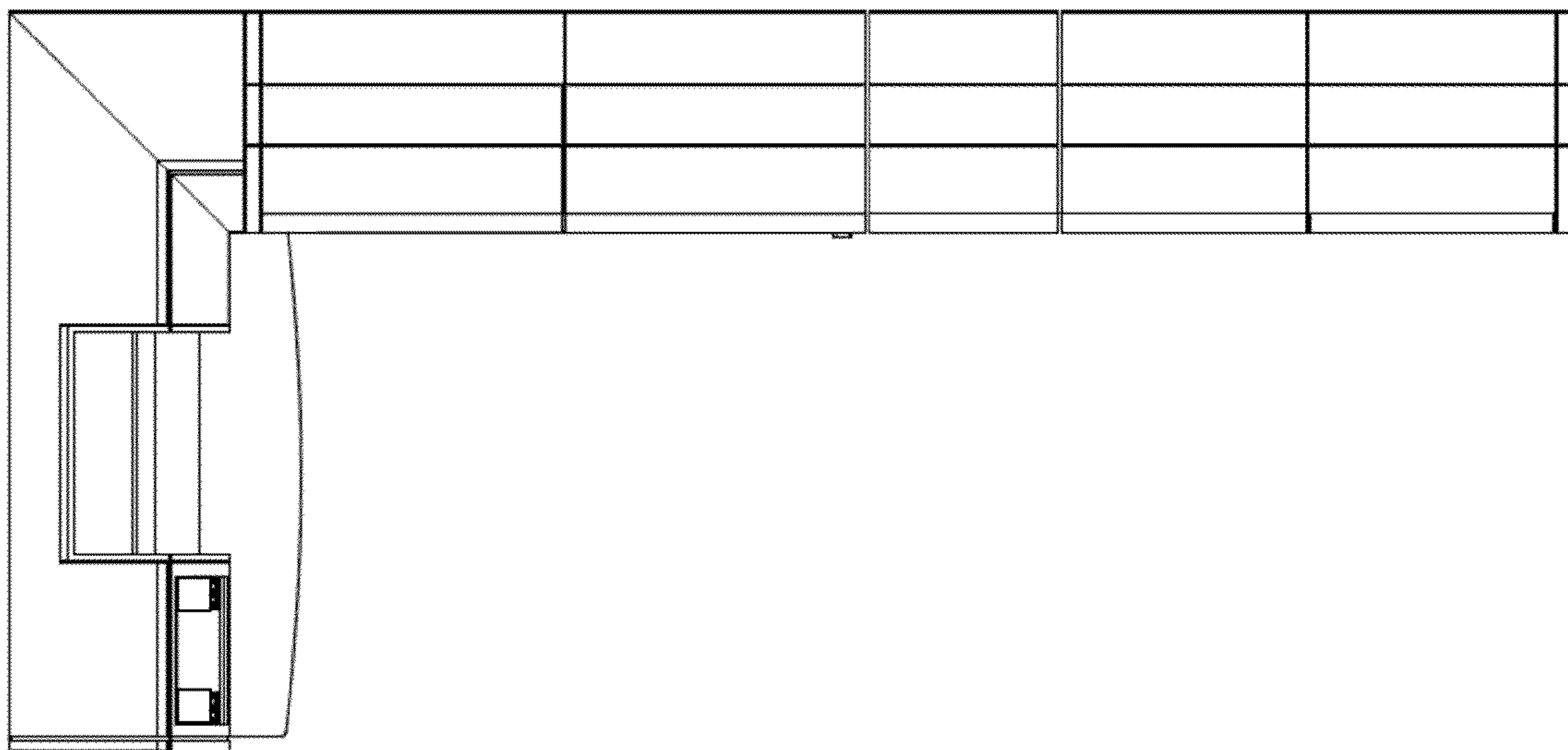


FIG. 13

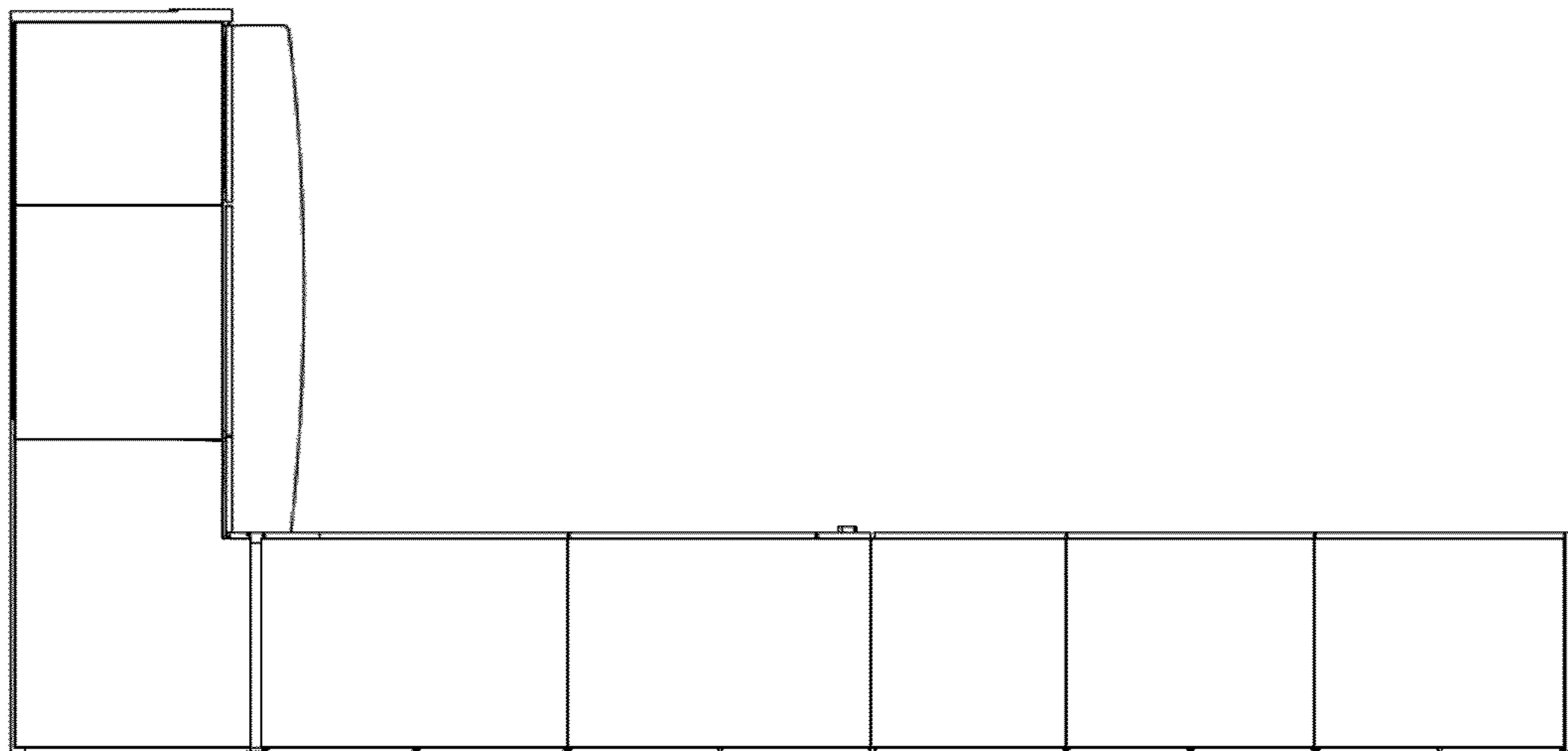


FIG. 14