



US00D735252S

(12) **United States Design Patent**
Lee et al.

(10) **Patent No.:** **US D735,252 S**
(45) **Date of Patent:** **** Jul. 28, 2015**

(54) **DOOR FOR REFRIGERATOR**

- (71) Applicant: **SAMSUNG ELECTRONICS CO., LTD.**, Suwon-si (KR)
- (72) Inventors: **Jong-Hyub Lee**, Seoul (KR); **Se-Youn Park**, Seoul (KR); **Jun-Kyo Lee**, Daegu (KR); **Hyun-Il Lee**, Seoul (KR); **Sang-Woon Jeon**, Namyangju-si (KR)
- (73) Assignee: **Samsung Electronics Co., Ltd.**, Suwon-Si (KR)
- (**) Term: **14 Years**
- (21) Appl. No.: **29/476,608**
- (22) Filed: **Dec. 16, 2013**
- (30) **Foreign Application Priority Data**

Sep. 3, 2013 (KR) 30-2013-0045462

(51) **LOC (10) Cl.** **15-07**

(52) **U.S. Cl.**
USPC **D15/89**

(58) **Field of Classification Search**
USPC D15/79-91
CPC F25B 21/02; F25B 2321/02; F25B 1/005; F25B 2321/0252; F25B 1/00; F25B 1/10; F25B 21/04; F25B 2339/047; F25B 5/02; F25B 7/00; F25B 13/00; F25B 1/053; F25B 2309/06; F25B 2321/021; F25B 2321/023; F25D 23/028; F25D 23/02; F25D 25/025; F25D 23/00; F25D 2323/021; F25D 11/00; F25D 2323/024; F25D 23/04; F25D 29/00; F25D 25/02; F25D 25/024; F25D 27/005; F25D 23/12; F25D 29/005; F25D 17/042; F25D 2325/021

See application file for complete search history.

(56) **References Cited**

U.S. PATENT DOCUMENTS

D569,399	S	*	5/2008	Crookshanks et al.	D15/89
D582,443	S	*	12/2008	Kim et al.	D15/89
D697,537	S	*	1/2014	Seo et al.	D15/89
D709,106	S	*	7/2014	Jeon et al.	D15/89
D710,403	S	*	8/2014	Seo et al.	D15/89
D714,842	S	*	10/2014	Jeon et al.	D15/89
D715,336	S	*	10/2014	Sin et al.	D15/89

* cited by examiner

Primary Examiner — Daniel Bui

Assistant Examiner — Khawaja Anwar

(74) *Attorney, Agent, or Firm* — Ladas & Parry LLP

(57) **CLAIM**

We claim the ornamental design for a door for refrigerator, as shown and described.

DESCRIPTION

FIG. 1 is a front perspective view of a door for refrigerator showing our new design;
 FIG. 2 is a front elevation view thereof;
 FIG. 3 is a rear elevation view thereof;
 FIG. 4 is a left-side elevation view thereof;
 FIG. 5 is a right-side elevation view thereof;
 FIG. 6 is a top plan view thereof;
 FIG. 7 is a bottom plan view thereof;
 FIG. 8 is an enlarged perspective view thereof;
 FIG. 9 is another enlarged perspective view thereof, in use condition; and,
 FIG. 10 is another perspective view thereof, in use condition.
 The broken line in the figure drawings represents unclaimed environment only and forms no part of the claimed design.

1 Claim, 7 Drawing Sheets

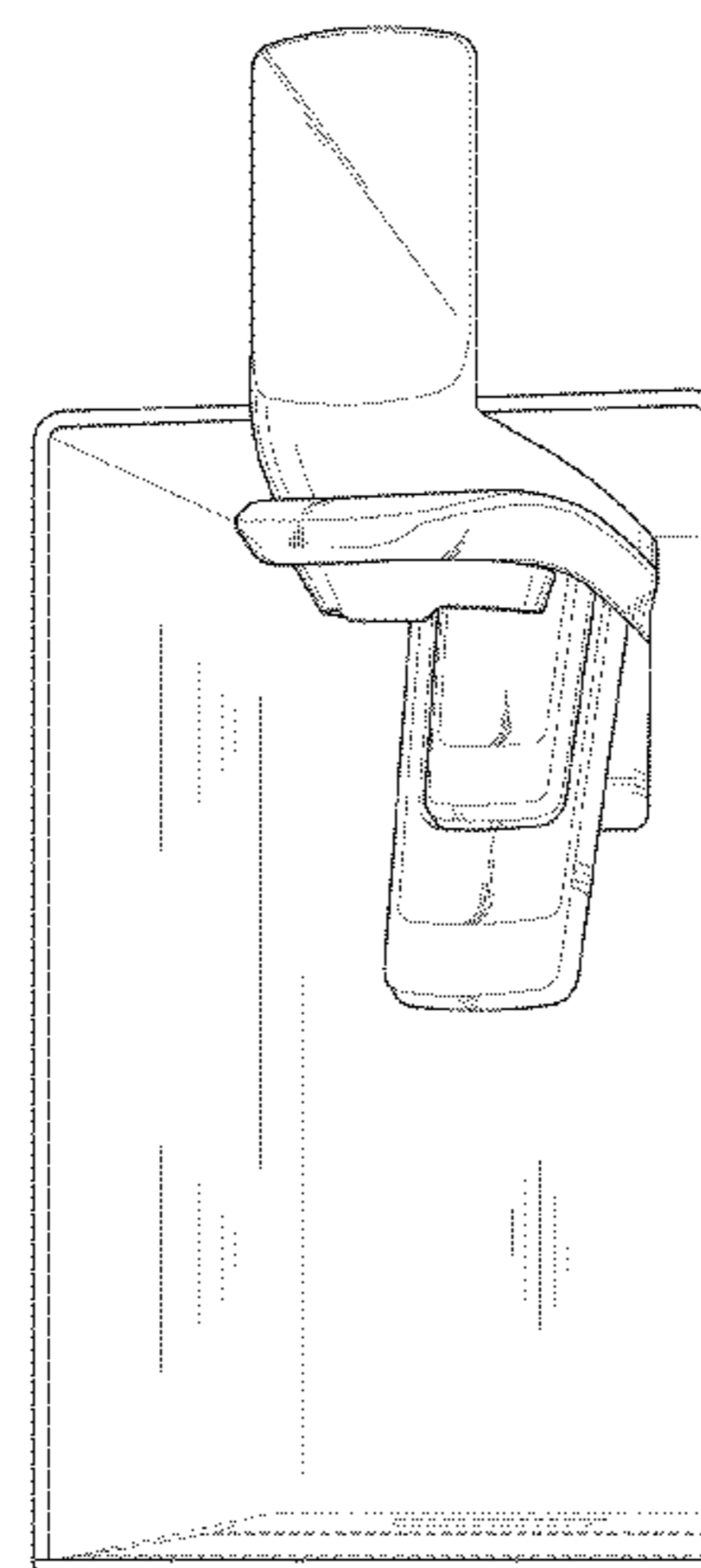
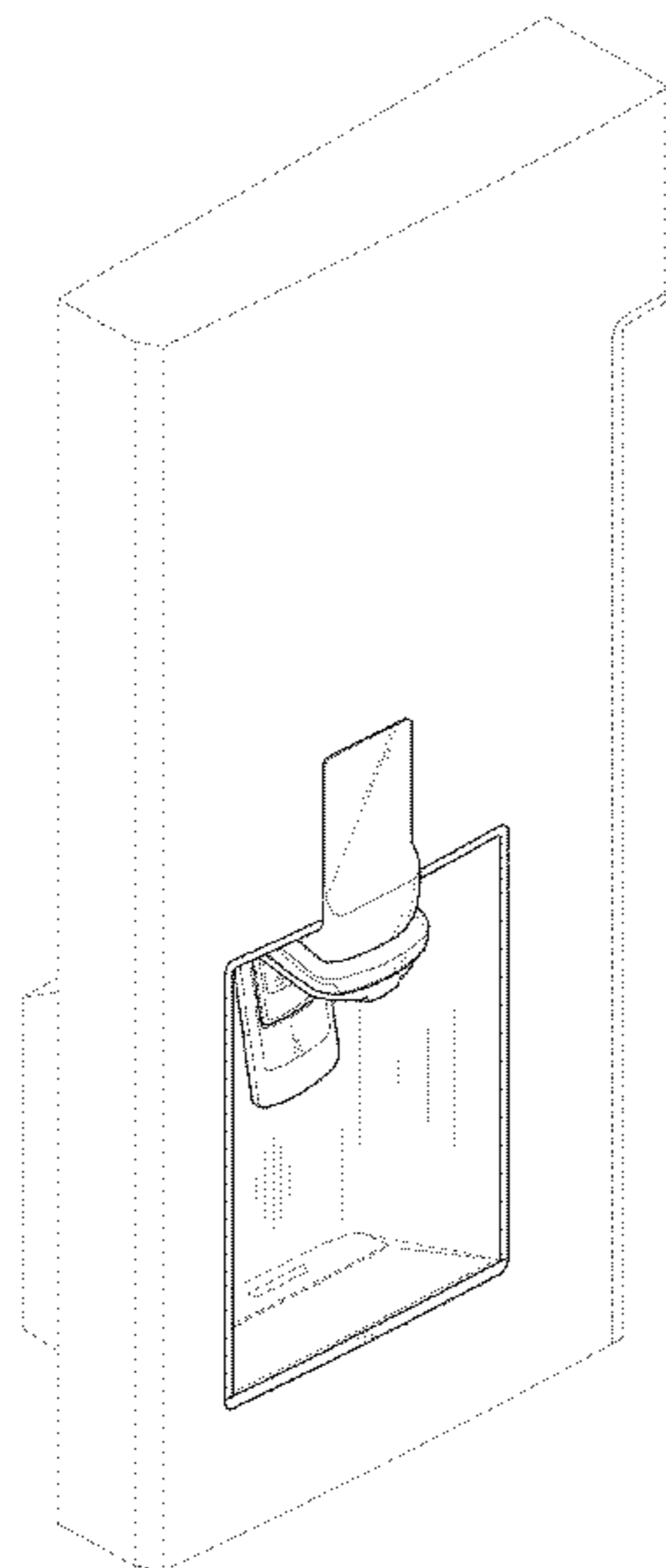


FIG. 1

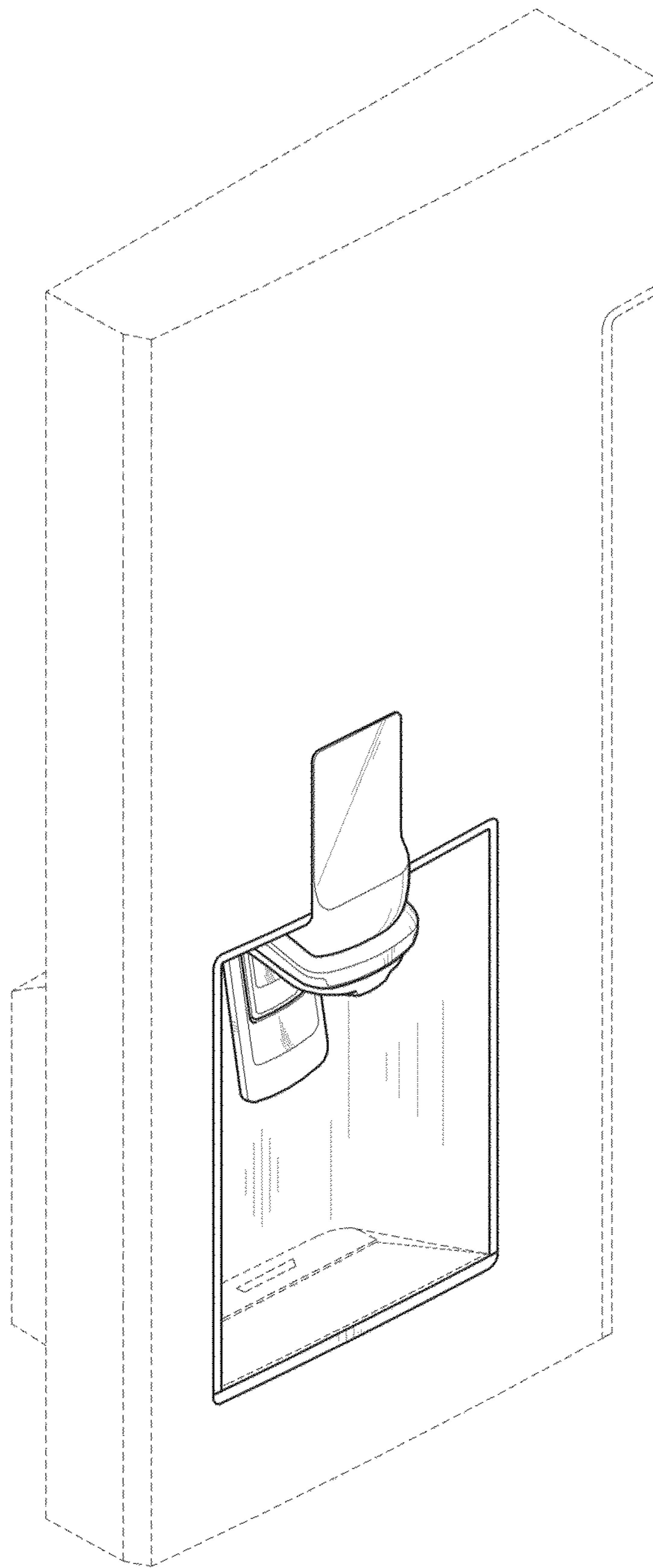


FIG. 2

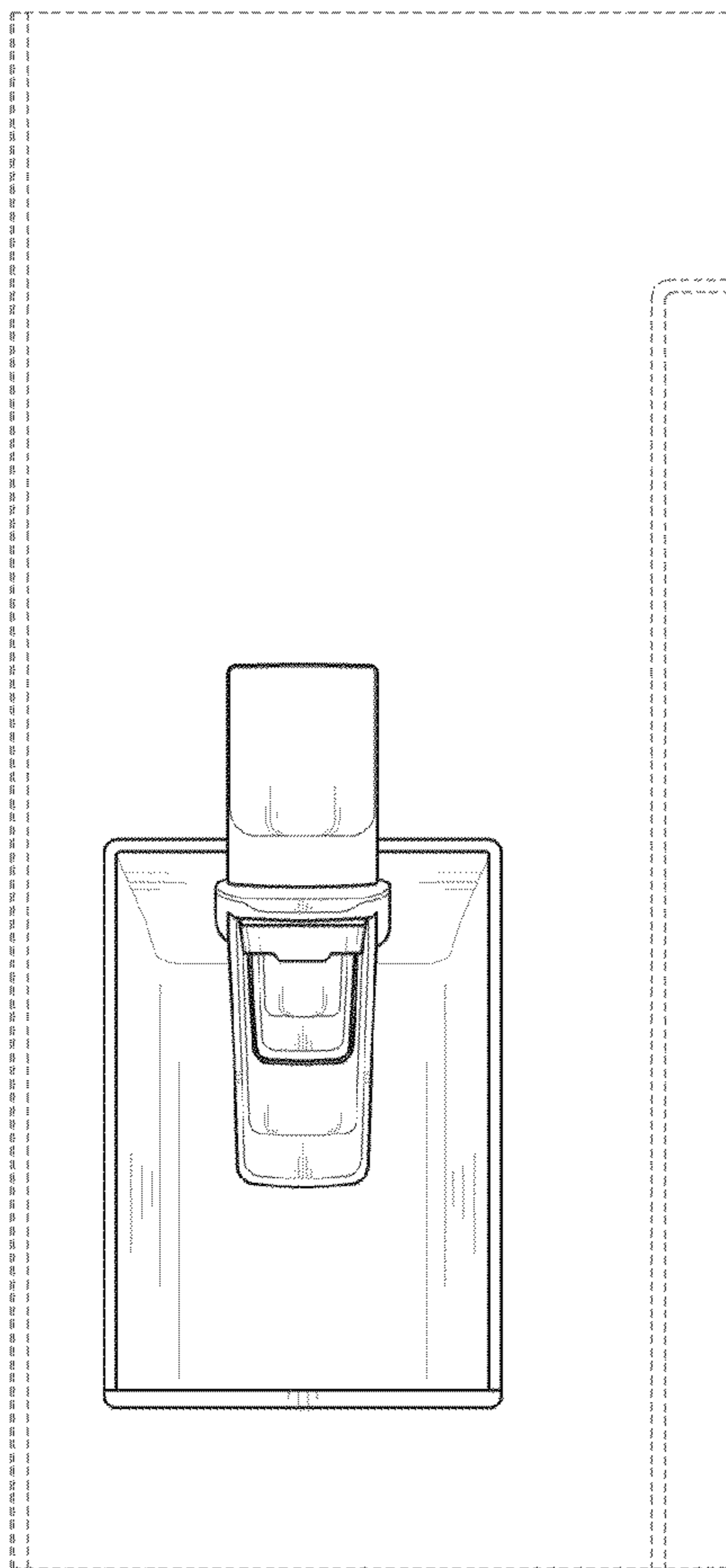


FIG. 3

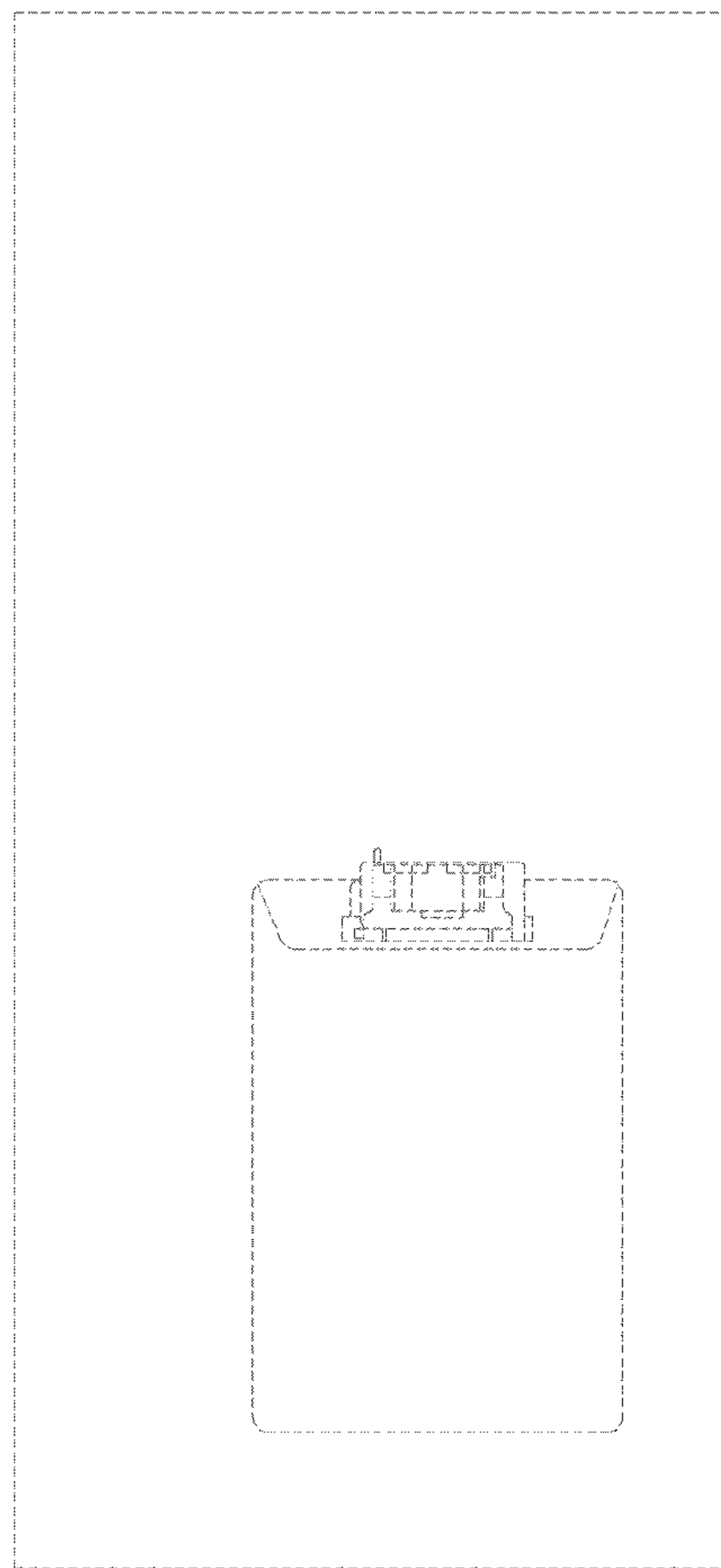


FIG. 4

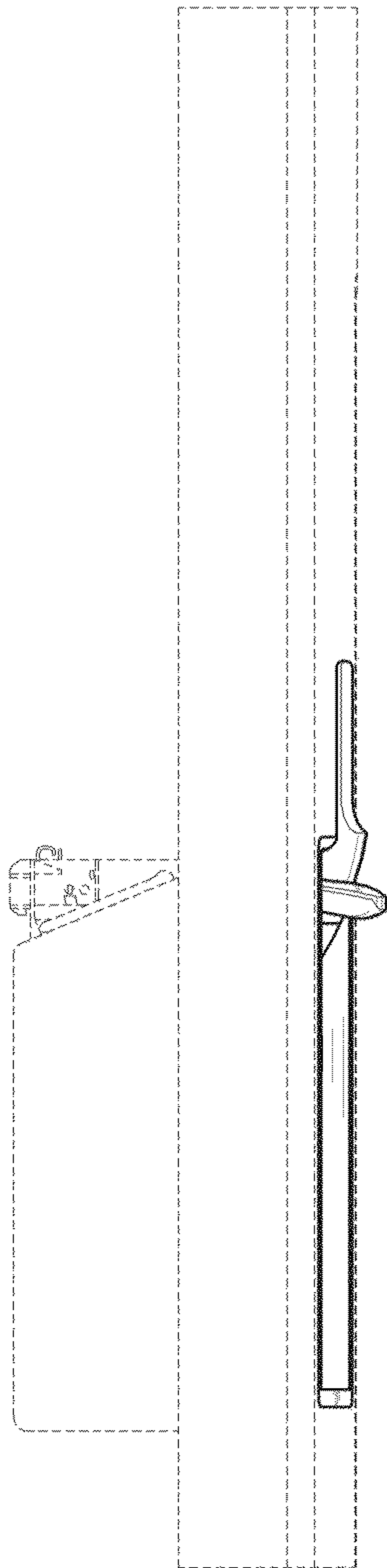


FIG. 5

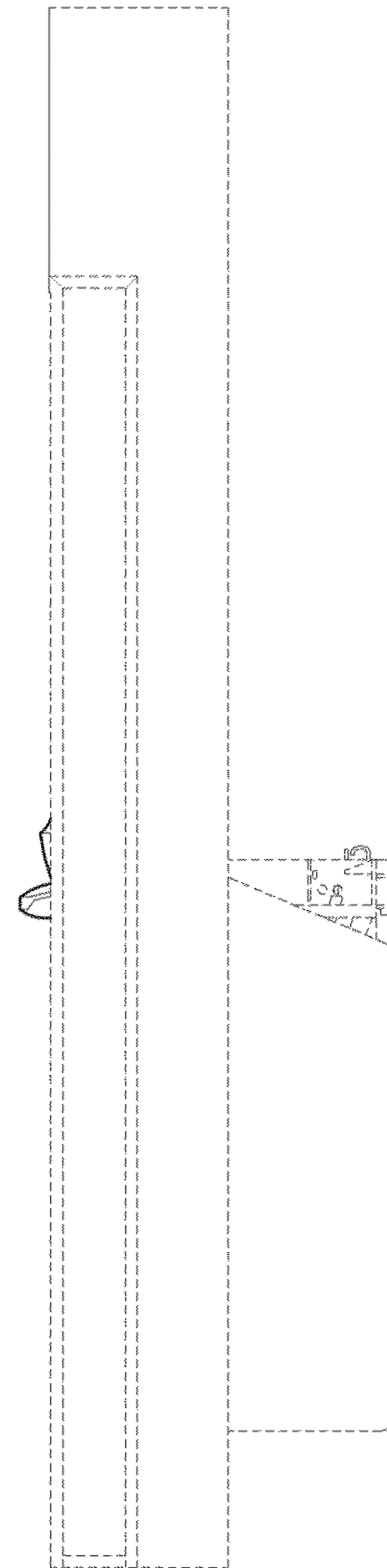


FIG. 6

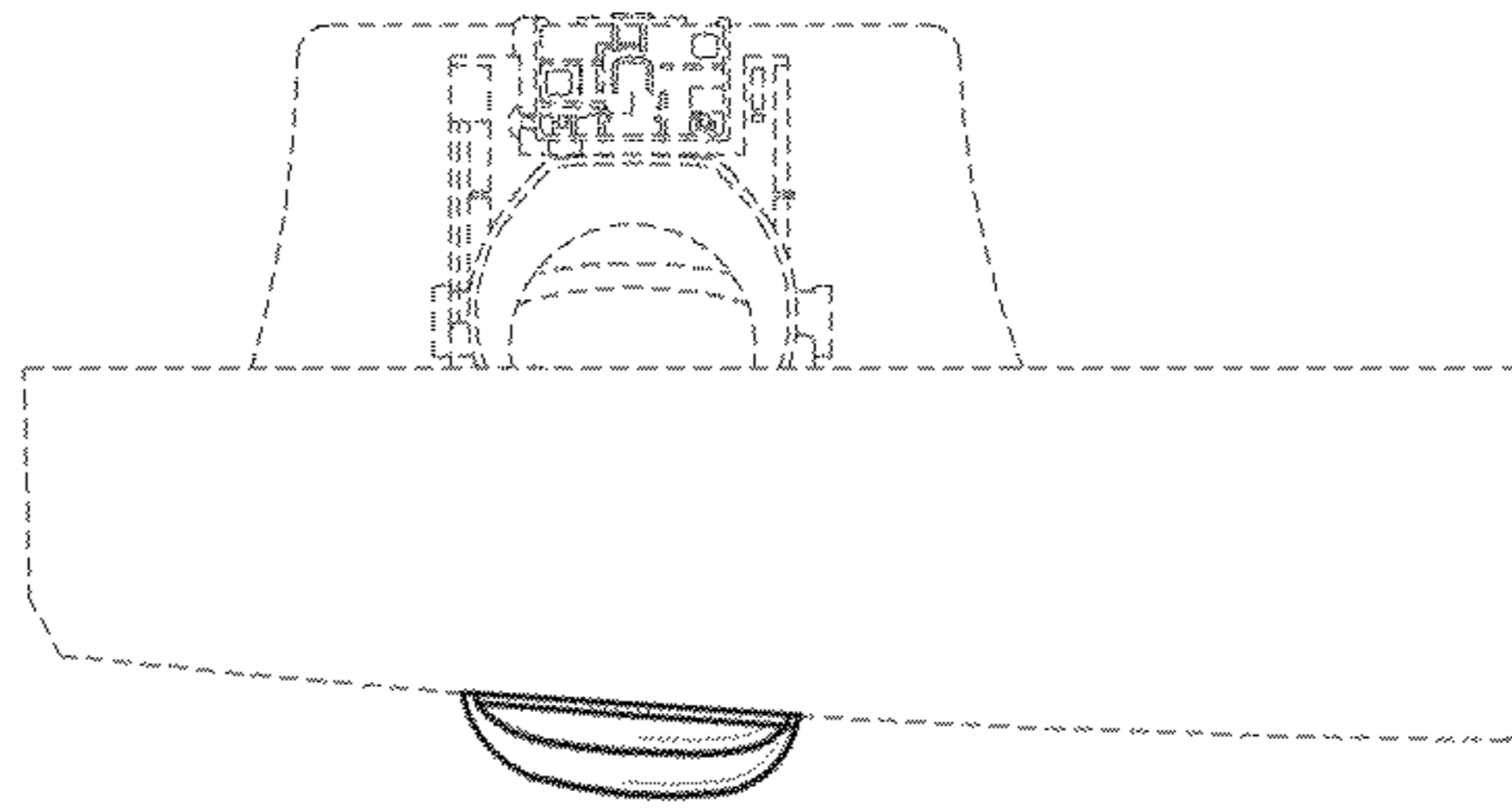


FIG. 7

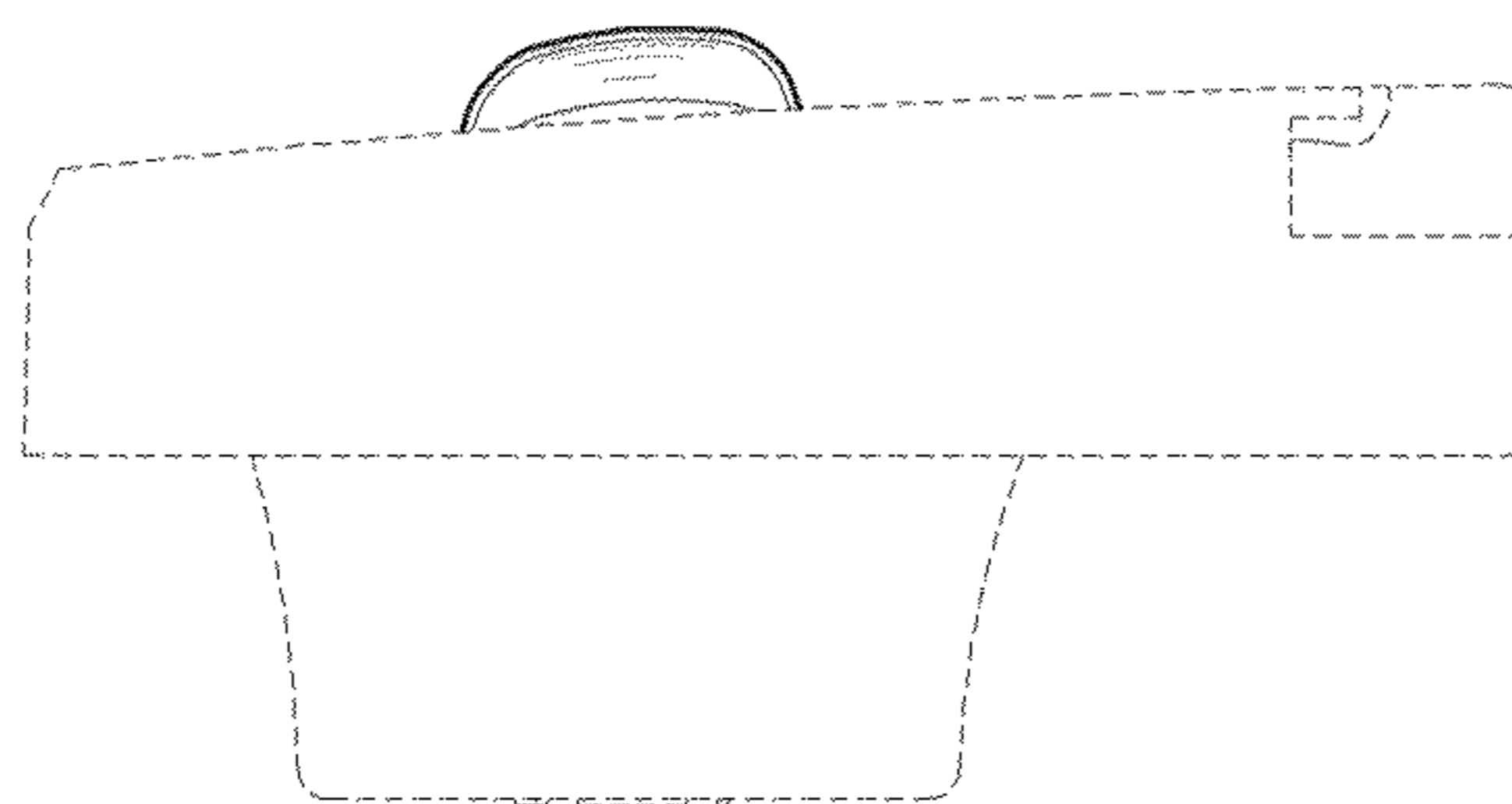


FIG. 8

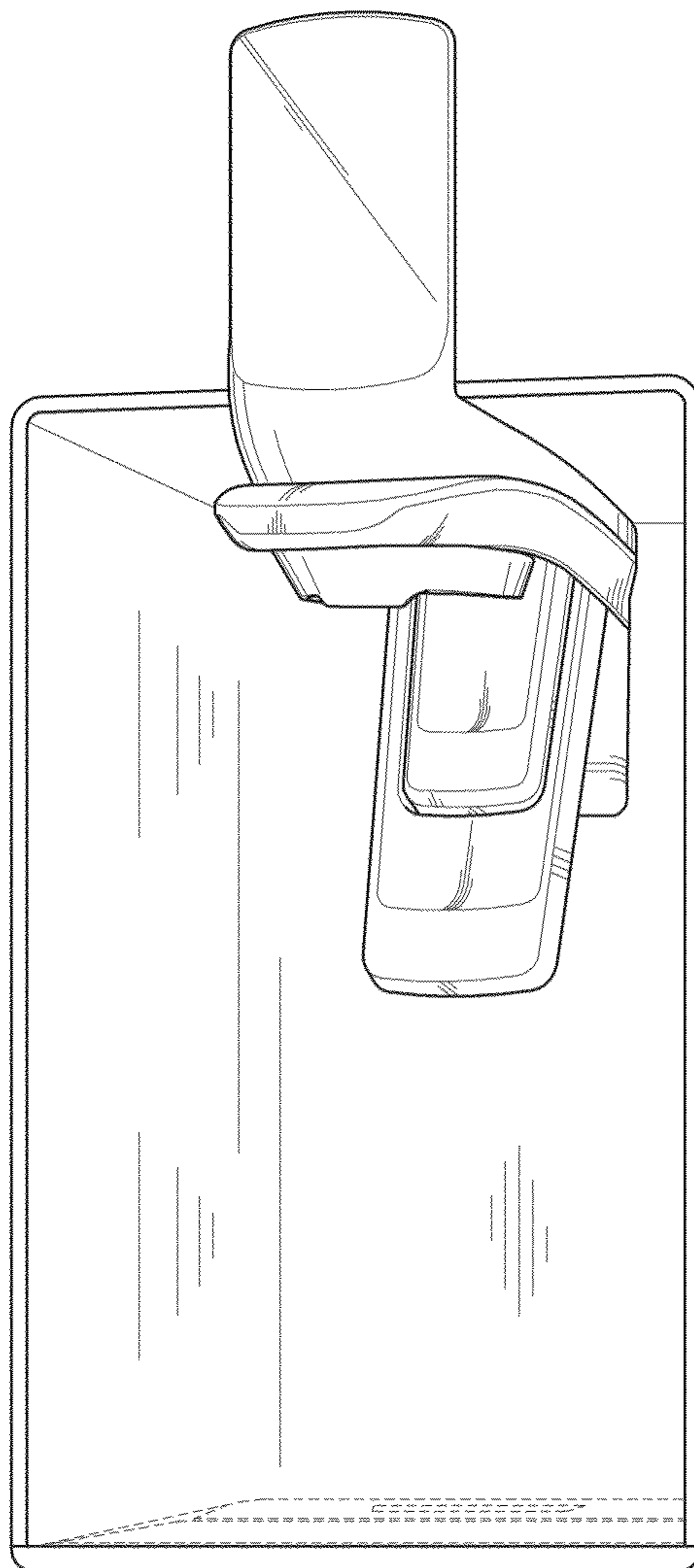


FIG. 9

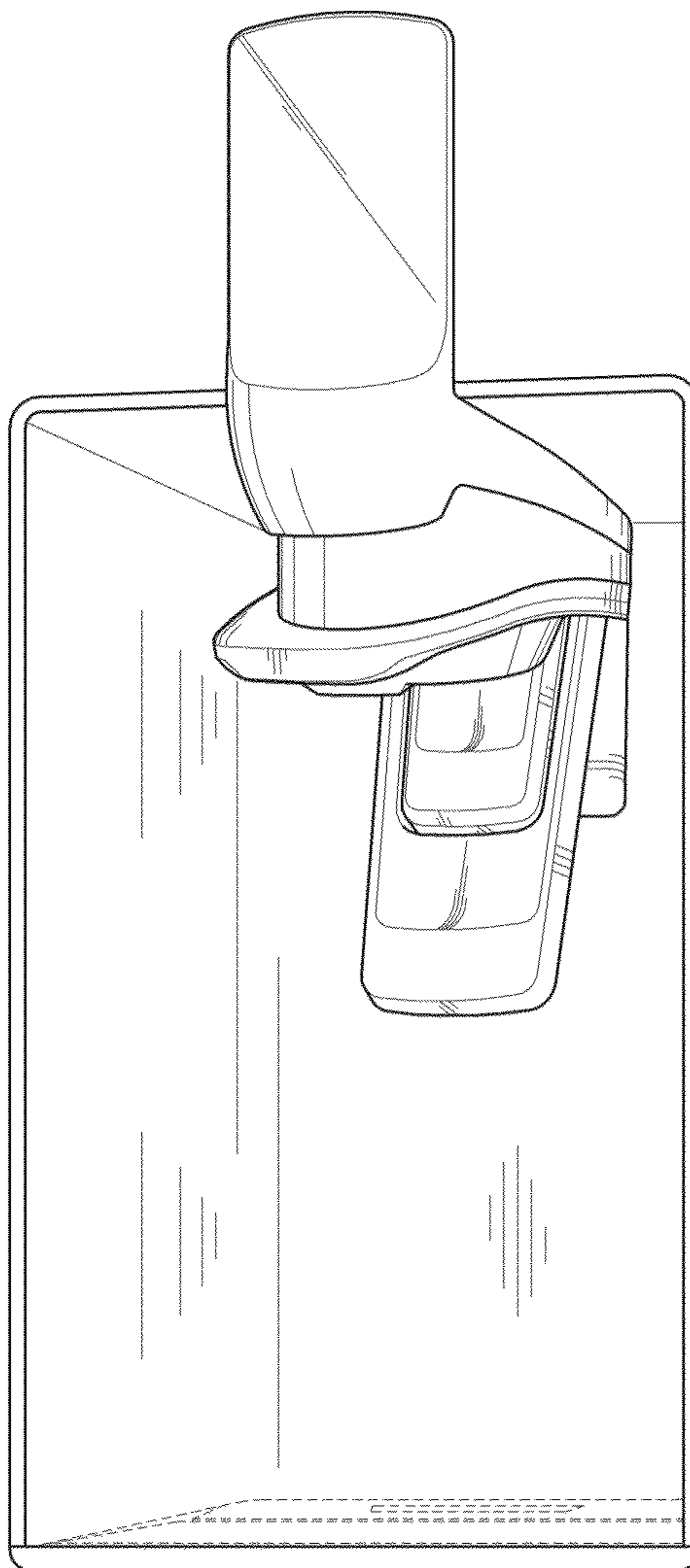


FIG. 10

