



US00D735251S

(12) **United States Design Patent**
Jeon et al.

(10) **Patent No.:** **US D735,251 S**
(45) **Date of Patent:** **** Jul. 28, 2015**

(54) **DOOR GUARD FOR REFRIGERATOR**

(56) **References Cited**

(71) Applicant: **SAMSUNG ELECTRONICS CO., LTD.**, Suwon-si (KR)

U.S. PATENT DOCUMENTS

(72) Inventors: **Sang-Woon Jeon**, Namyangju-si (KR); **Se-Youn Park**, Seoul (KR); **Jong-Hyub Lee**, Seoul (KR); **Jun-Kyo Lee**, Daegu (KR); **Hyun-Il Lee**, Seoul (KR)

D286,730	S	*	11/1986	Tzifkansky et al.	D15/89
D522,542	S	*	6/2006	Czach et al.	D15/89
D527,749	S	*	9/2006	Eveland et al.	D15/89
D589,989	S	*	4/2009	Crookshanks et al.	D15/89
D720,783	S	*	1/2015	Yang et al.	D15/90
D724,118	S	*	3/2015	Kim et al.	D15/89

(73) Assignee: **Samsung Electronics Co., Ltd.**, Suwon-Si (KR)

* cited by examiner

(**) Term: **14 Years**

Primary Examiner — Daniel Bui

Assistant Examiner — Khawaja Anwar

(21) Appl. No.: **29/476,286**

(74) *Attorney, Agent, or Firm* — Ladas & Parry LLP

(22) Filed: **Dec. 12, 2013**

(57) **CLAIM**

We claim the ornamental design for a door guard for refrigerator, as shown and described.

(30) **Foreign Application Priority Data**

Sep. 3, 2013 (KR) 30-2013-0045450

(51) **LOC (10) Cl.** **15-07**

(52) **U.S. Cl.**
USPC **D15/89**

(58) **Field of Classification Search**
USPC D15/79-91
CPC F25B 21/02; F25B 2321/02; F25B 1/005; F25B 2321/0252; F25B 1/00; F25B 1/10; F25B 21/04; F25B 2339/047; F25B 5/02; F25B 7/00; F25B 13/00; F25B 1/053; F25B 2309/06; F25B 2321/021; F25B 2321/023; F25D 23/028; F25D 23/02; F25D 25/025; F25D 23/00; F25D 2323/021; F25D 11/00; F25D 2323/024; F25D 23/04; F25D 29/00; F25D 25/02; F25D 25/024; F25D 27/005; F25D 23/12; F25D 29/005; F25D 17/042; F25D 2325/021

See application file for complete search history.

DESCRIPTION

FIG. 1 is a front perspective view of a door guard for a refrigerator showing our new design; FIG. 2 is a front elevation view thereof; FIG. 3 is a rear elevation view thereof; FIG. 4 is a left-side elevation view thereof; FIG. 5 is a right-side elevation view thereof; FIG. 6 is a top view thereof; FIG. 7 is a bottom view thereof; FIG. 8 is a perspective view thereof showing the guard in an "open" position rotated about a hinge axis; and, FIG. 9 is a perspective view thereof showing the guard with its lid open.
The broken lines in the figure drawings represent unclaimed environment only and forms no part of the claimed design.

1 Claim, 6 Drawing Sheets

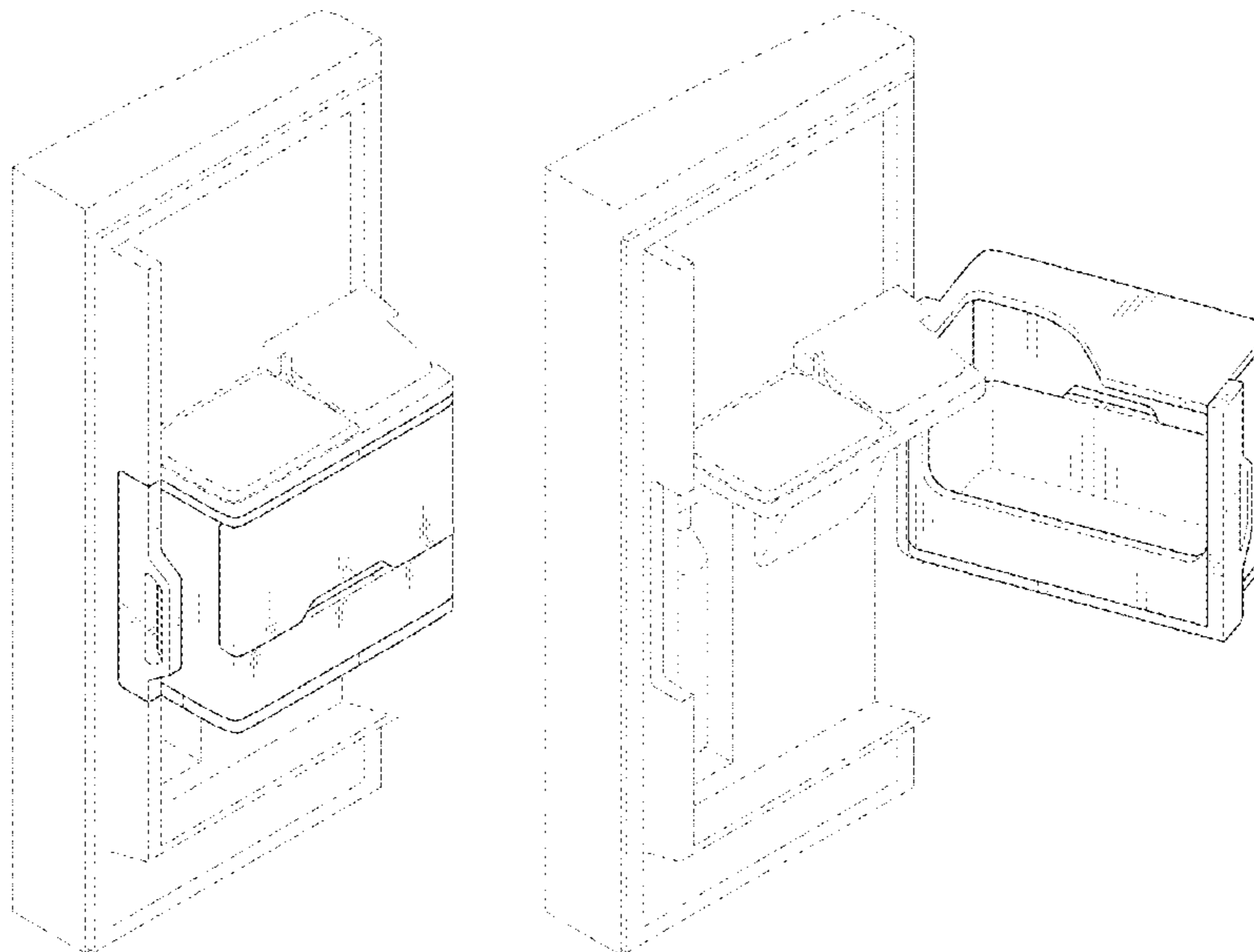


FIG. 1

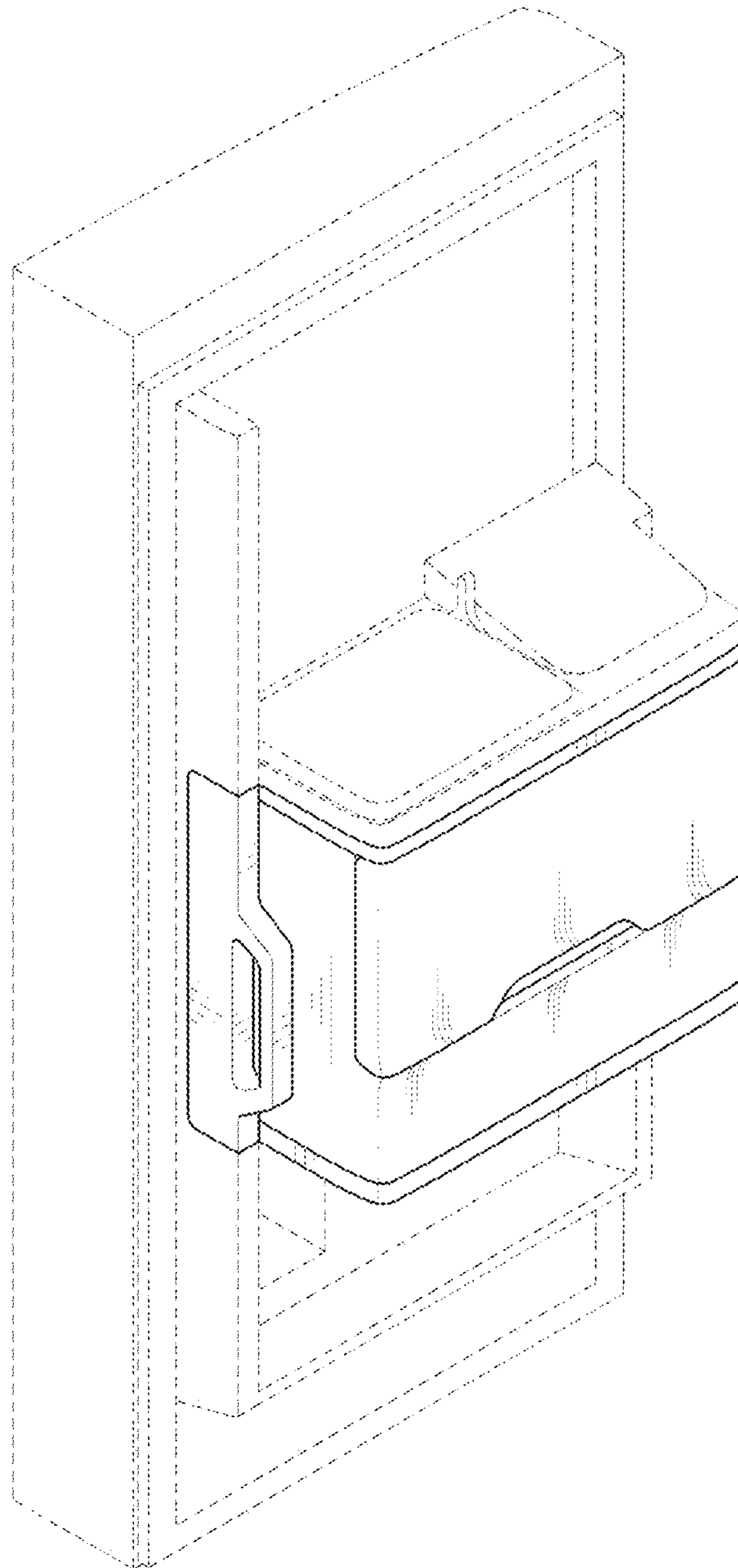


FIG. 2

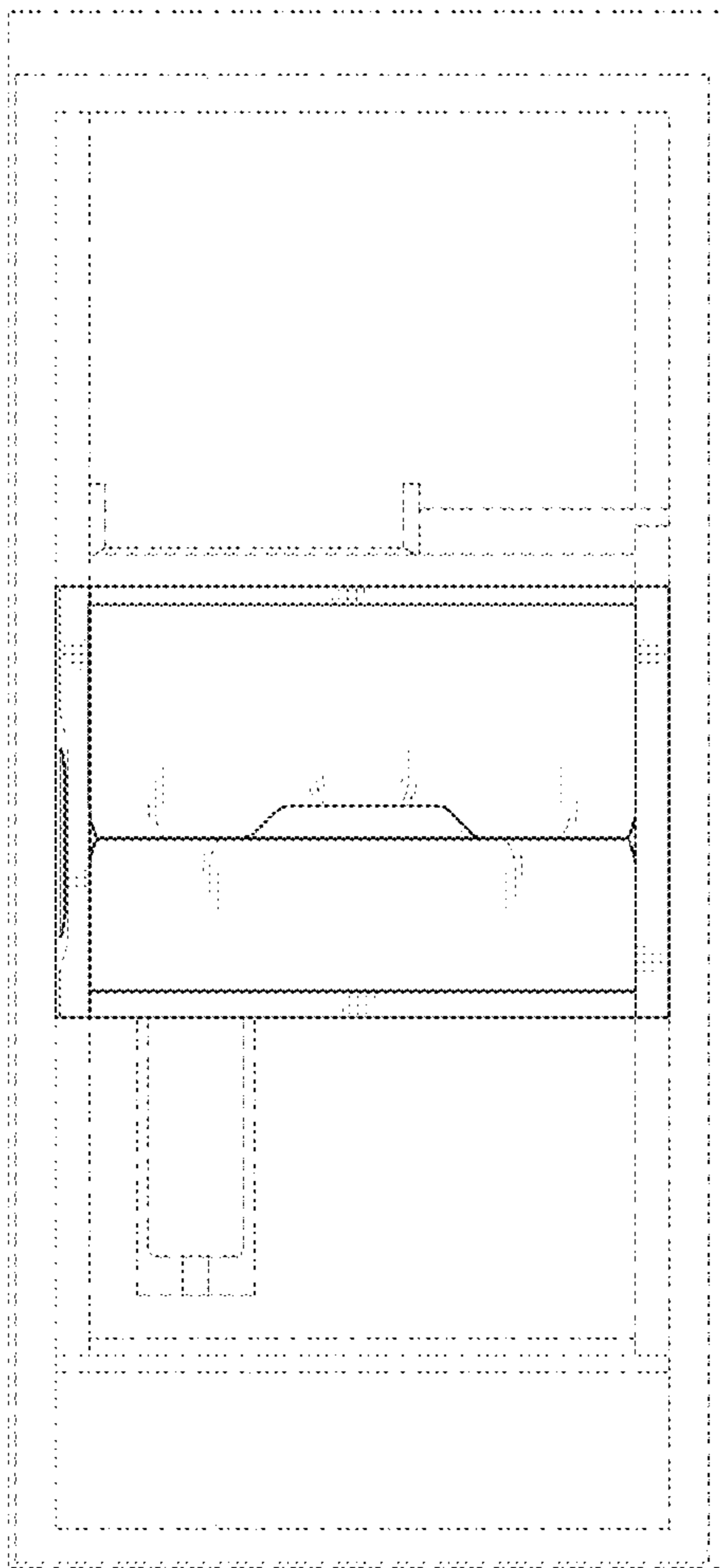


FIG. 3

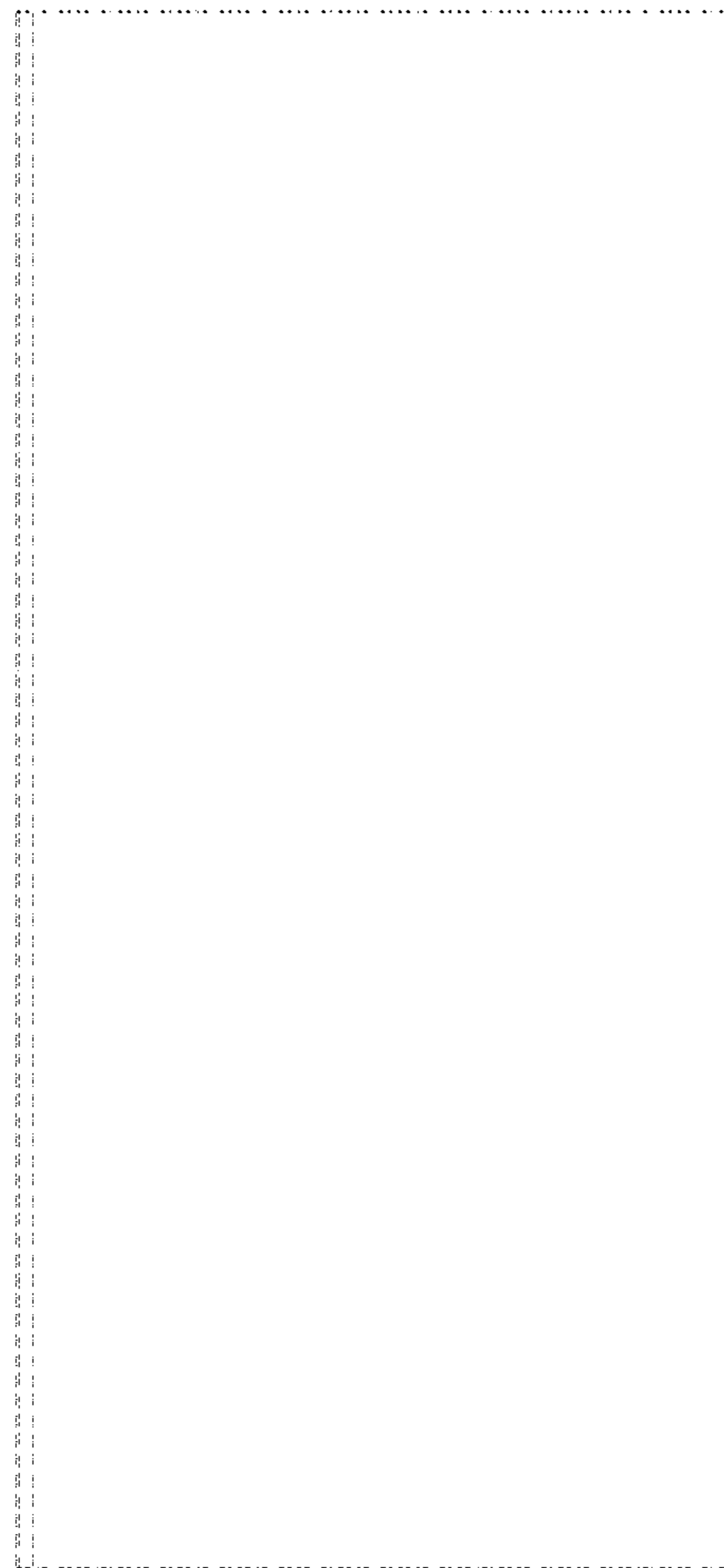


FIG. 4

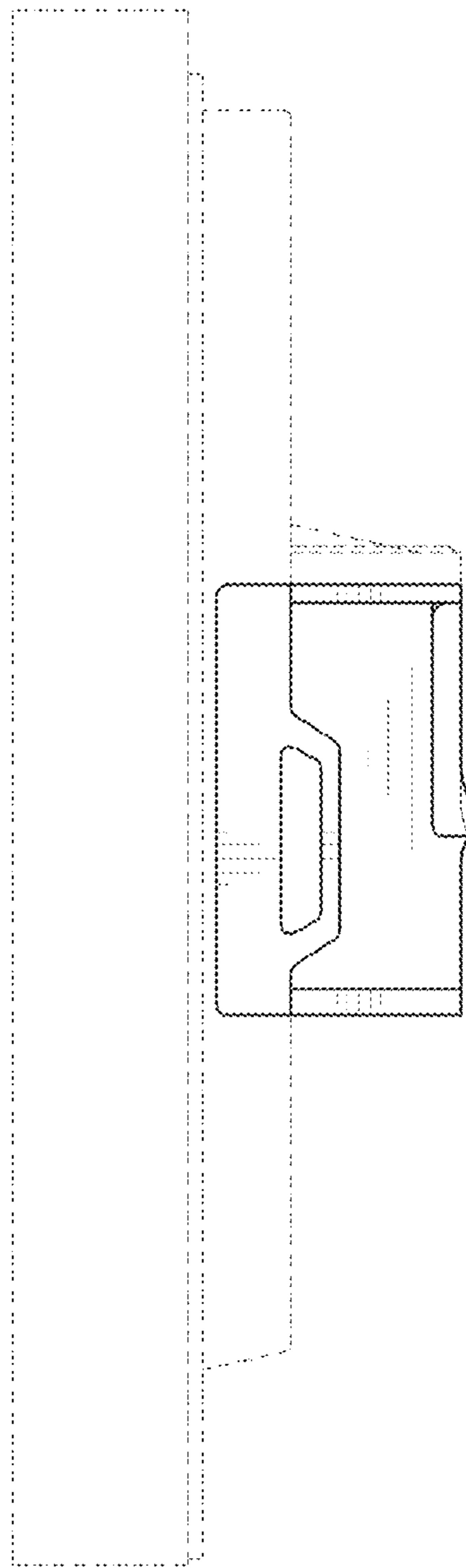


FIG. 5

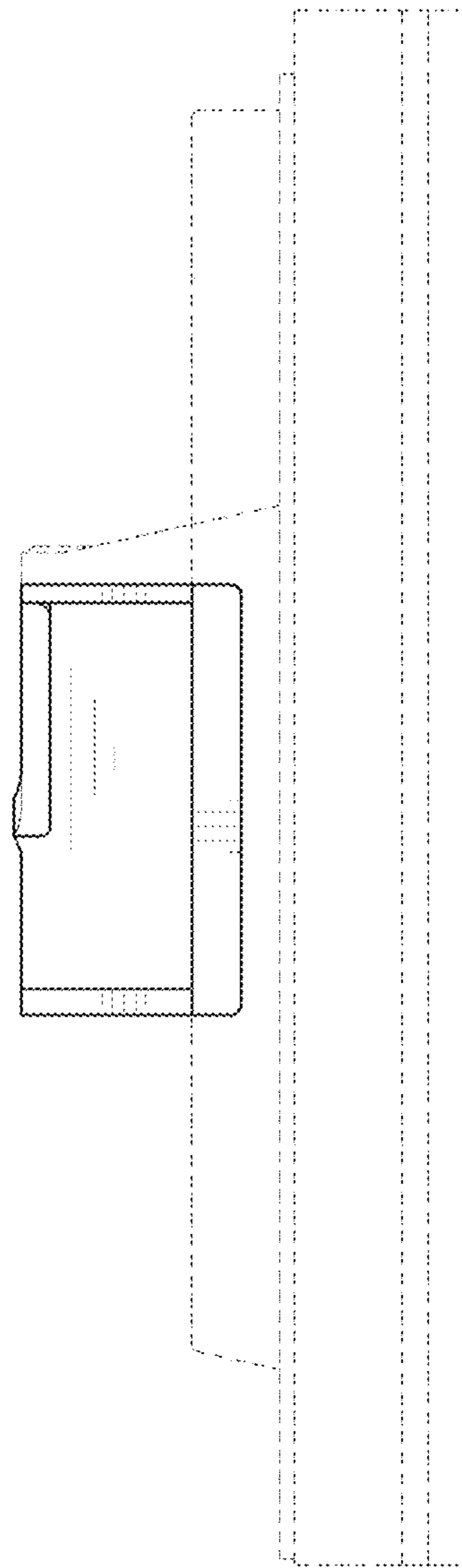


FIG. 6

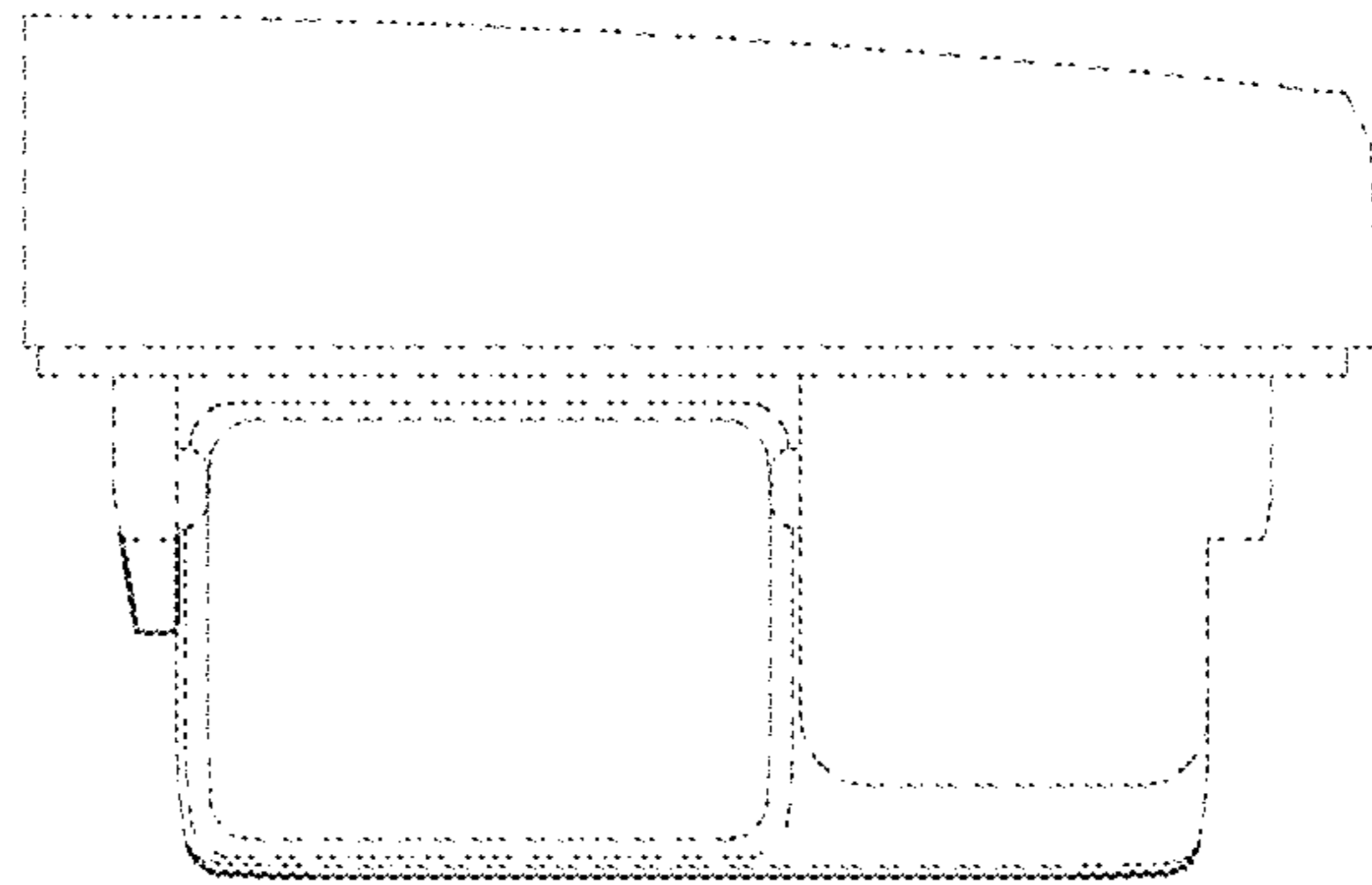


FIG. 7

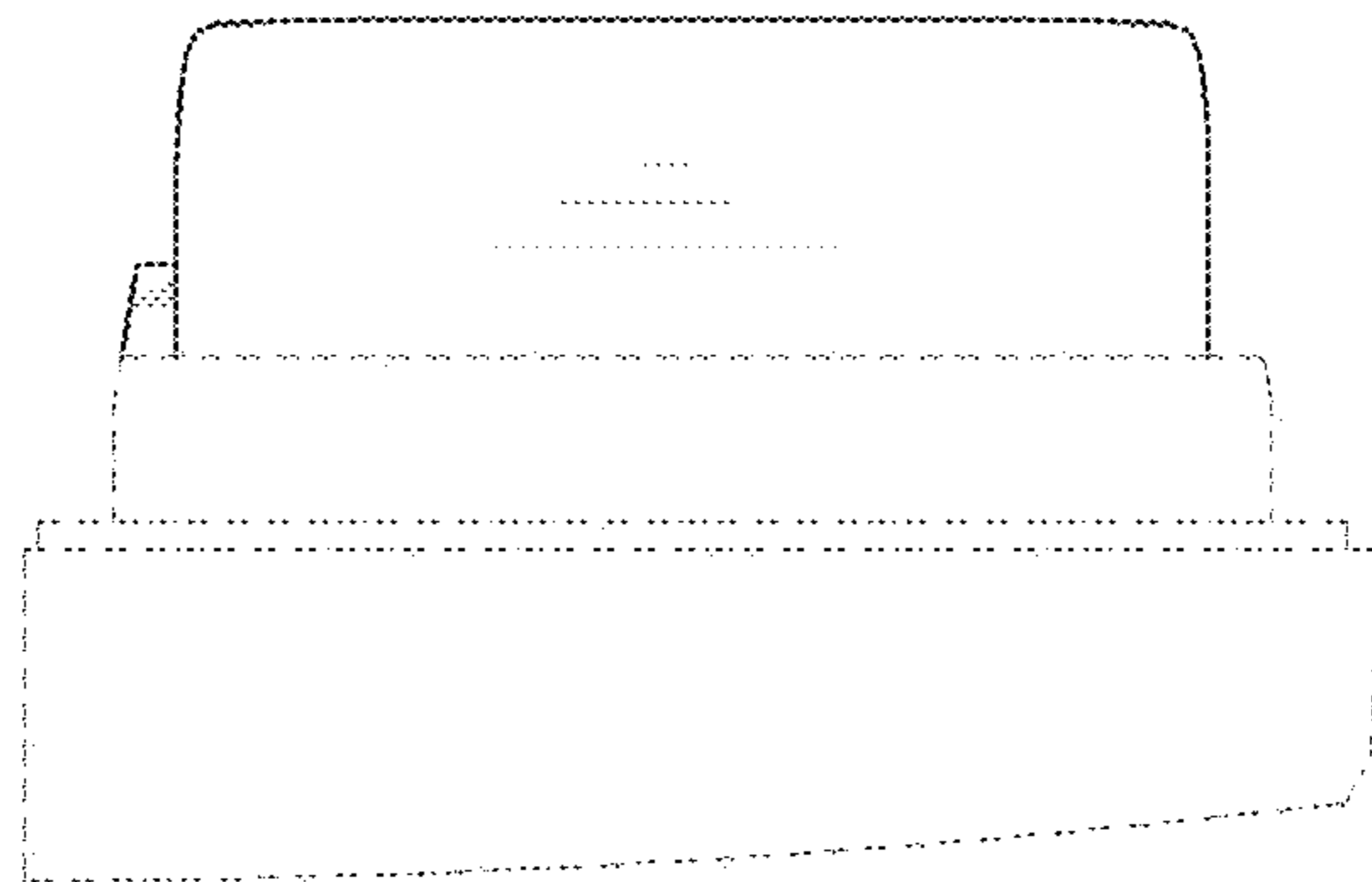


FIG. 8

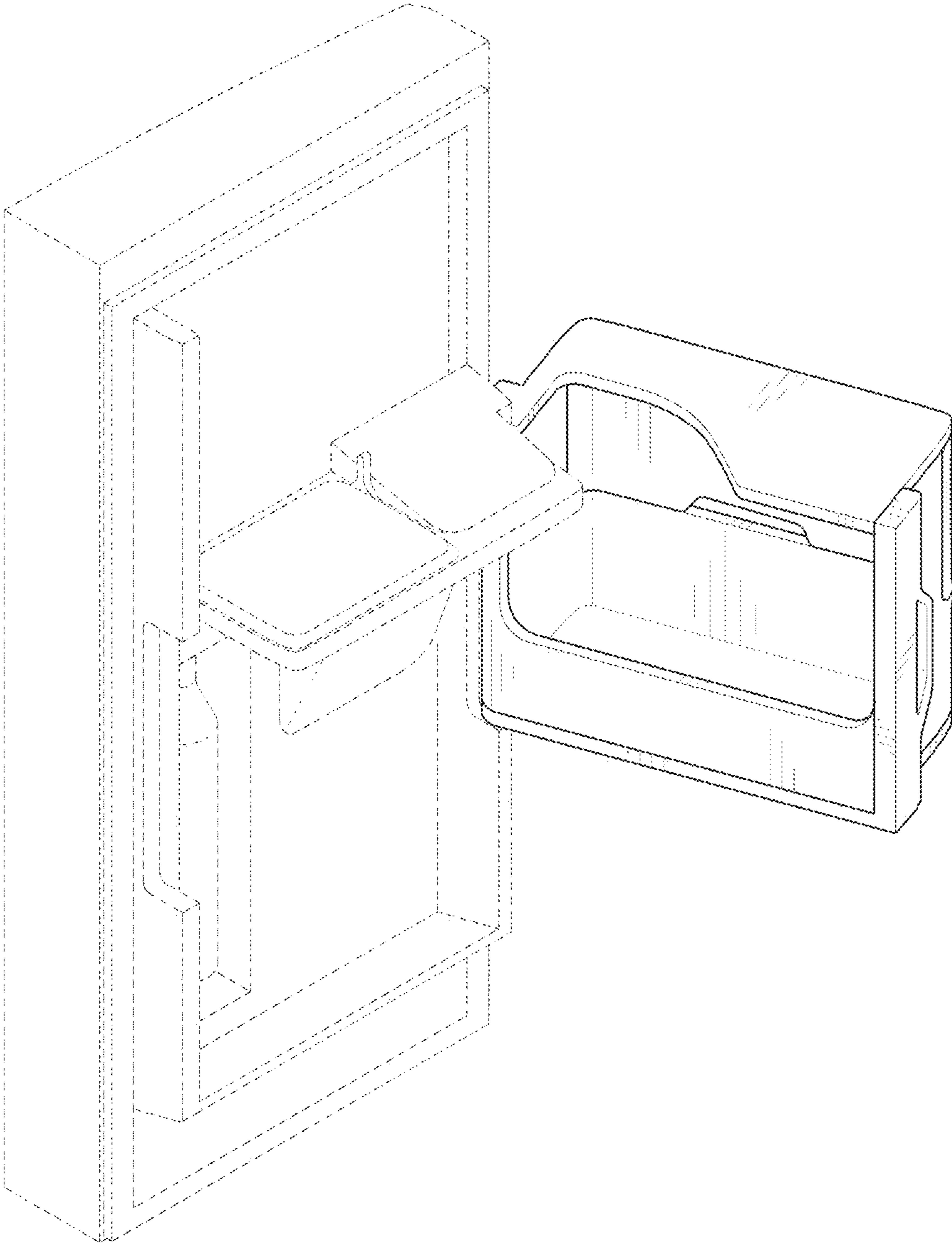


FIG. 9

