



US00D735249S

(12) **United States Design Patent**
Harada et al.

(10) **Patent No.:** **US D735,249 S**

(45) **Date of Patent:** **** Jul. 28, 2015**

(54) **SEWING MACHINE**

(71) Applicant: **HAPPY INDUSTRIAL CORPORATION**, Yamagata (JP)

(72) Inventors: **Keitaro Harada**, Yamagata (JP);
Mitsuyoshi Takauchi, Yamagata (JP);
Katsuya Wakaki, Yamagata (JP)

(73) Assignee: **HAPPY INDUSTRIAL CORPORATION**, Yamagata (JP)

(**) Term: **14 Years**

(21) Appl. No.: **29/490,467**

(22) Filed: **May 9, 2014**

(30) **Foreign Application Priority Data**

Nov. 15, 2013 (JP) 2013-026807

(51) **LOC (10) Cl.** **15-06**

(52) **U.S. Cl.**
USPC **D15/69**

(58) **Field of Classification Search**
USPC D15/66-78
CPC D05B 1/00-35/12
See application file for complete search history.

(56) **References Cited**

U.S. PATENT DOCUMENTS

3,085,524 A * 4/1963 Mylius 112/470.21
3,085,525 A * 4/1963 Roseman et al. 112/105
D206,560 S * 12/1966 Hamlett D15/69
D243,841 S * 3/1977 Arvai D15/69

D255,360 S * 6/1980 Sibuya et al. D15/68
5,230,765 A * 7/1993 Weiselfish et al. 156/350
D369,813 S * 5/1996 Wu D15/69

* cited by examiner

Primary Examiner — Mitchell Siegel

(74) *Attorney, Agent, or Firm* — Lowe Hauptman & Ham, LLP

(57) **CLAIM**

The ornamental design for a sewing machine, as shown and described.

DESCRIPTION

FIG. 1 is a front right perspective view of a sewing machine bearing the design;
FIG. 2 is a front left perspective view of the sewing machine according to FIG. 1;
FIG. 3 is a front view of the sewing machine according to FIG. 1;
FIG. 4 is a rear view of the sewing machine according to FIG. 1;
FIG. 5 is a left side view of the sewing machine according to FIG. 1;
FIG. 6 is a right side view of the sewing machine according to FIG. 1;
FIG. 7 is a top plan view of the sewing machine according to FIG. 1; and,
FIG. 8 is a bottom plan view of the sewing machine according to FIG. 1.

The broken lines shown in the drawings form no part of the claimed design.

1 Claim, 4 Drawing Sheets

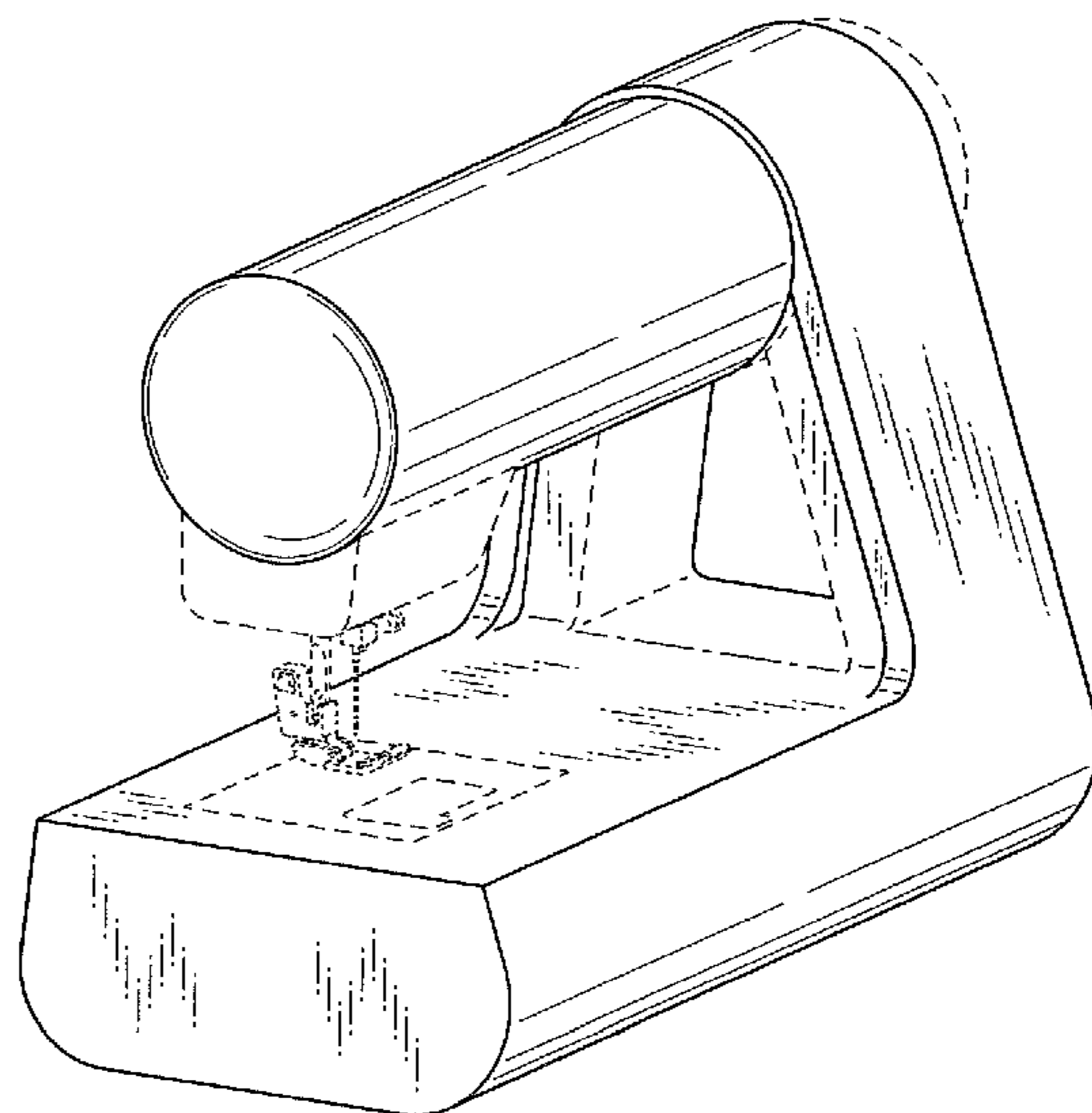
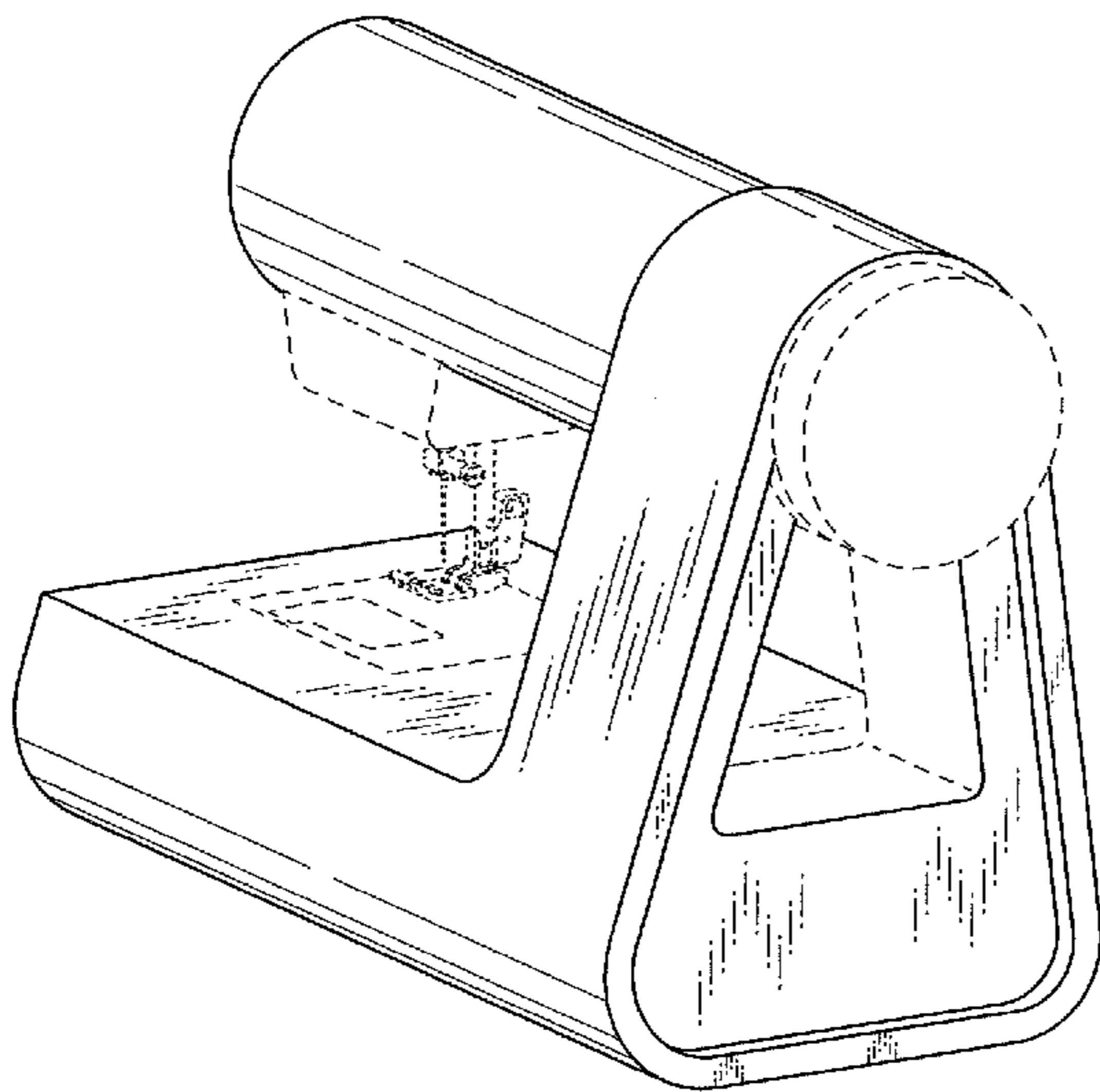


FIG. 1

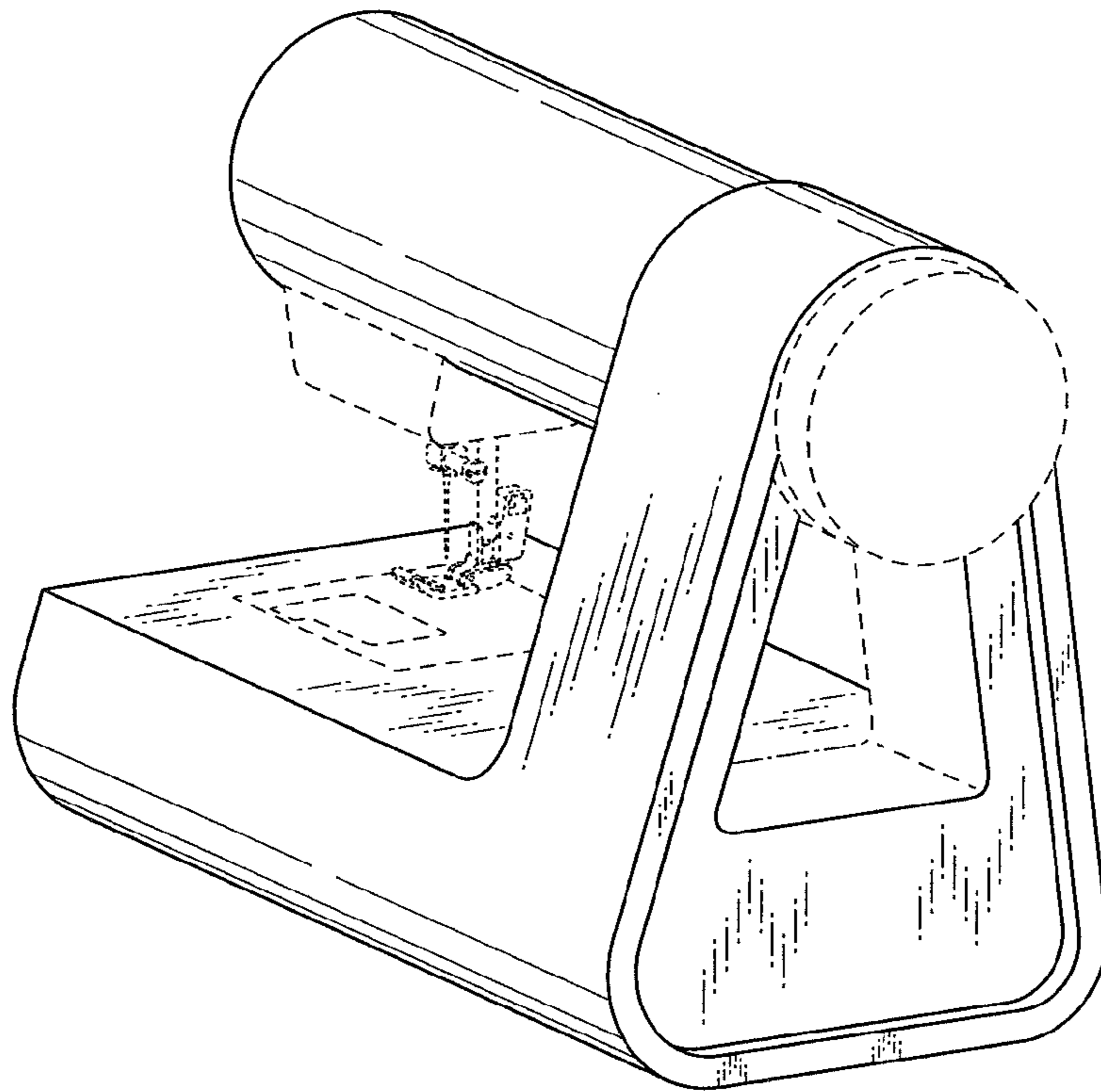


FIG. 2

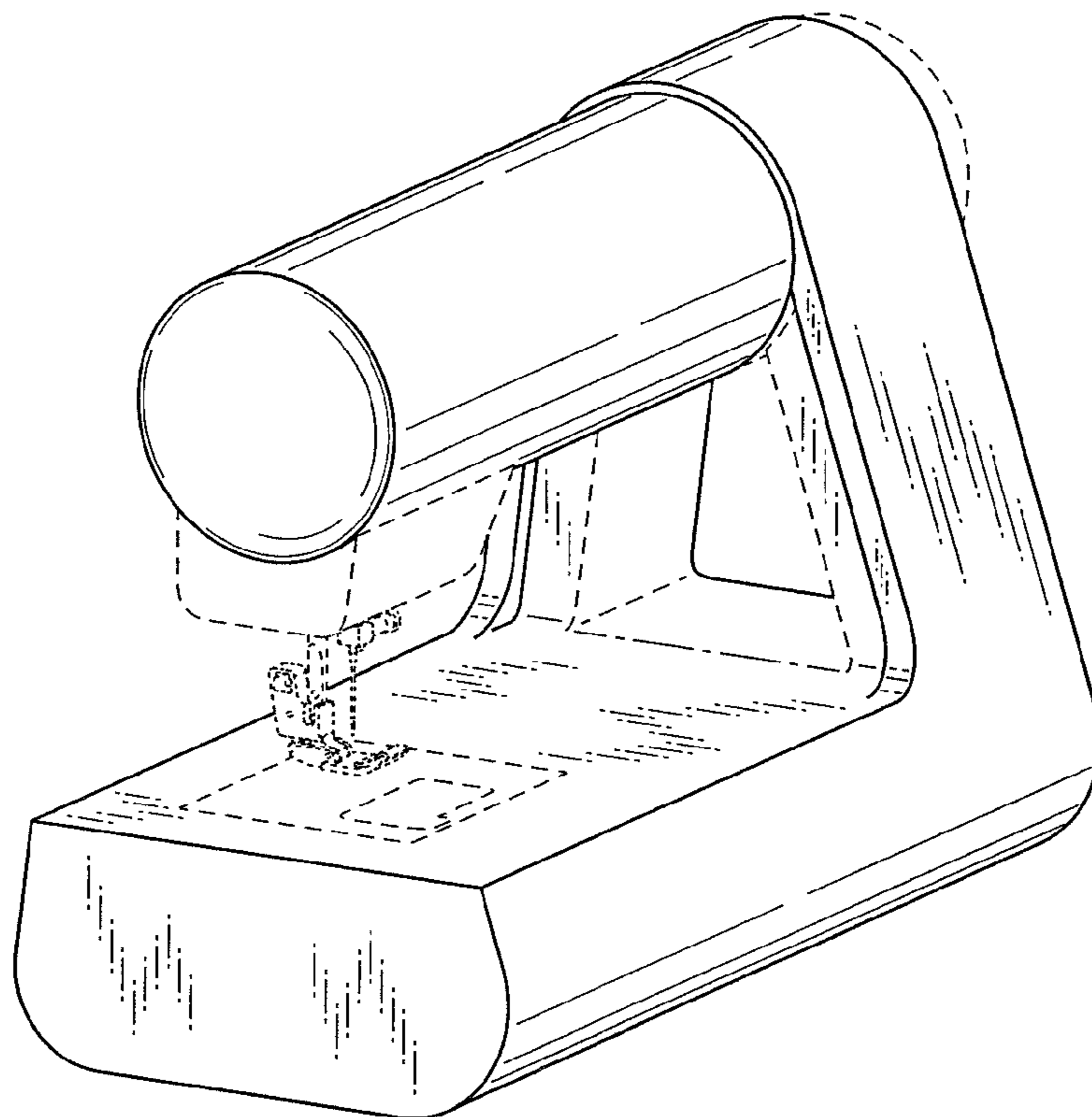


FIG. 3

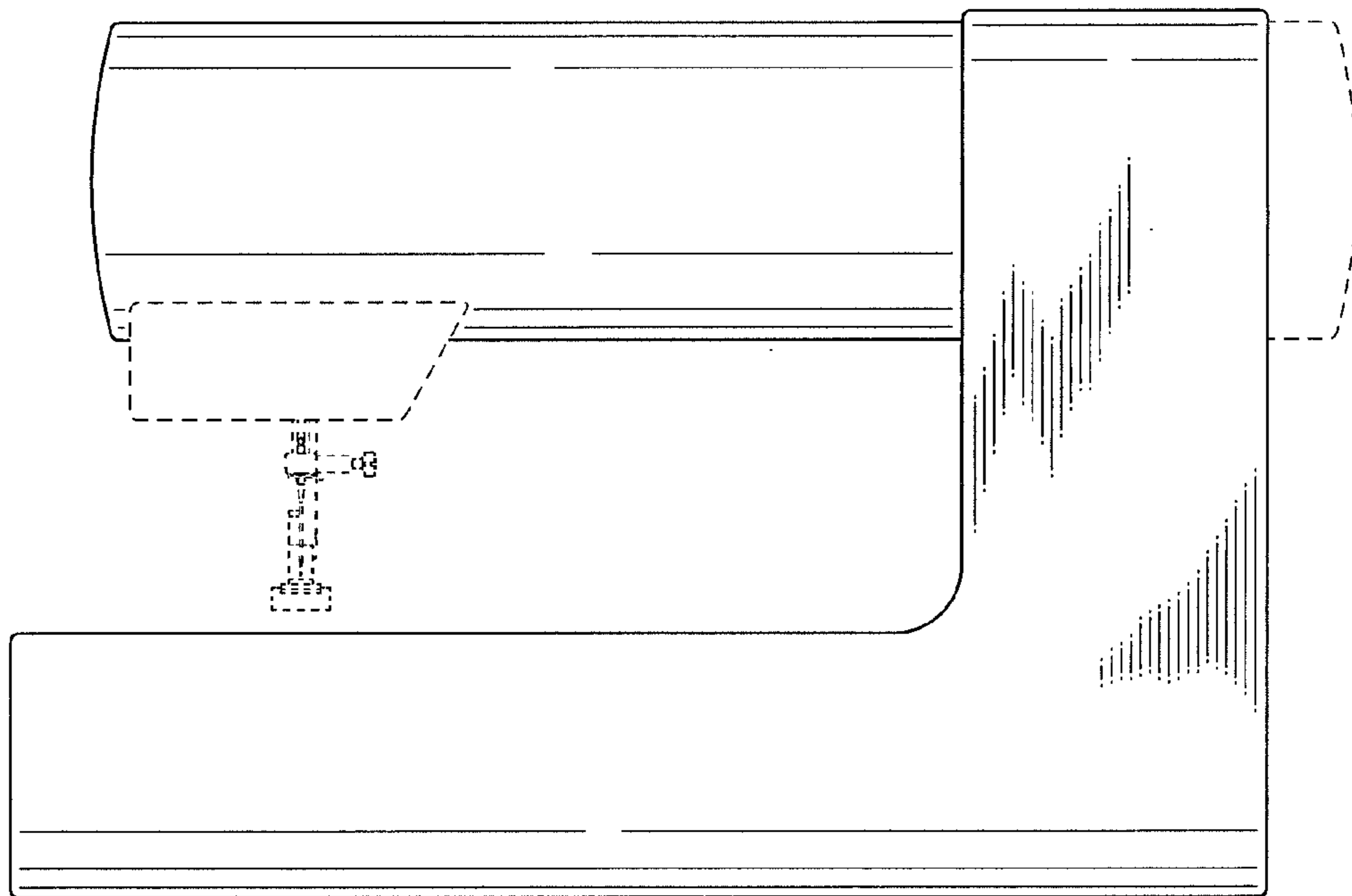


FIG. 4

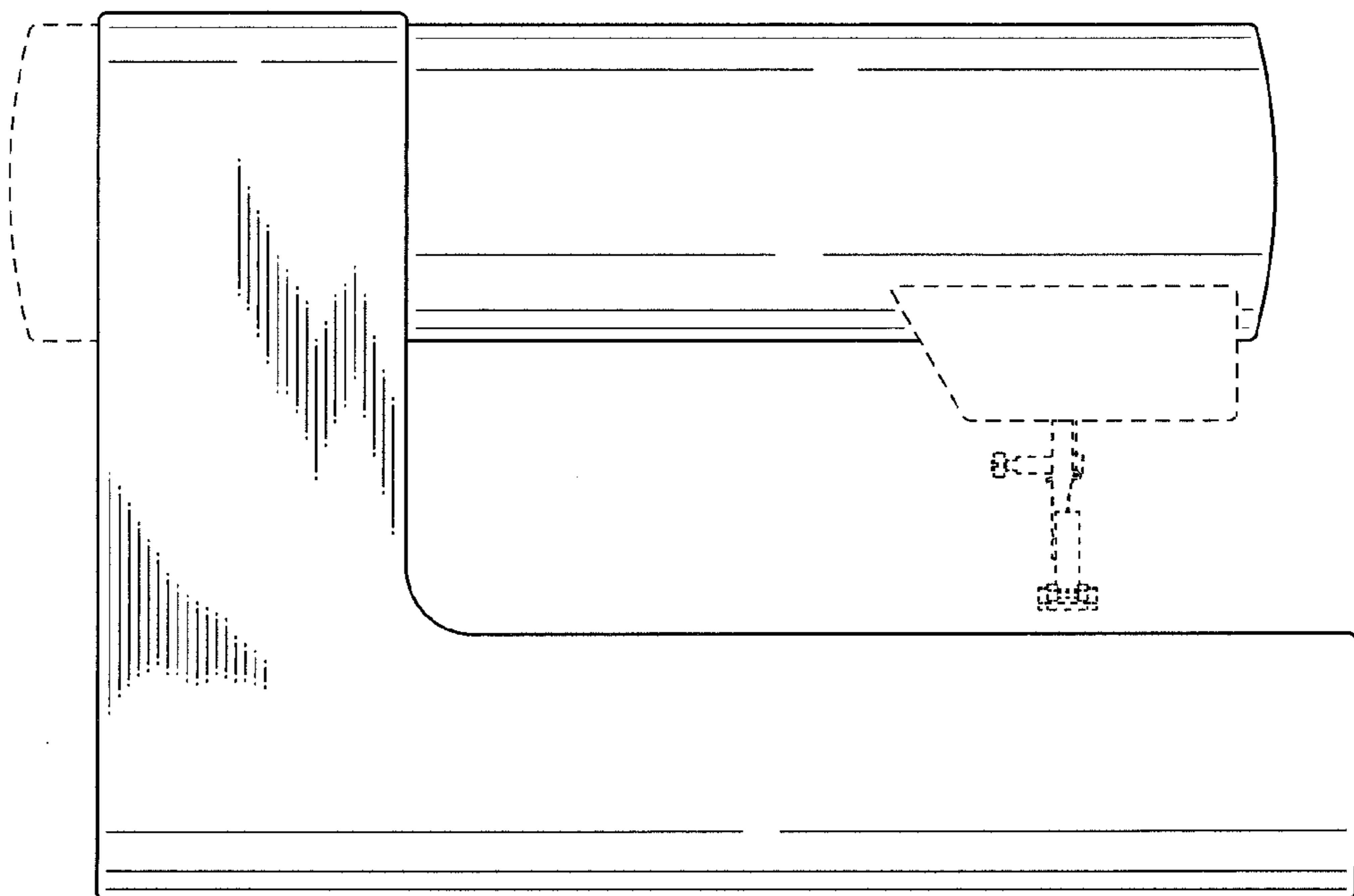


FIG. 5

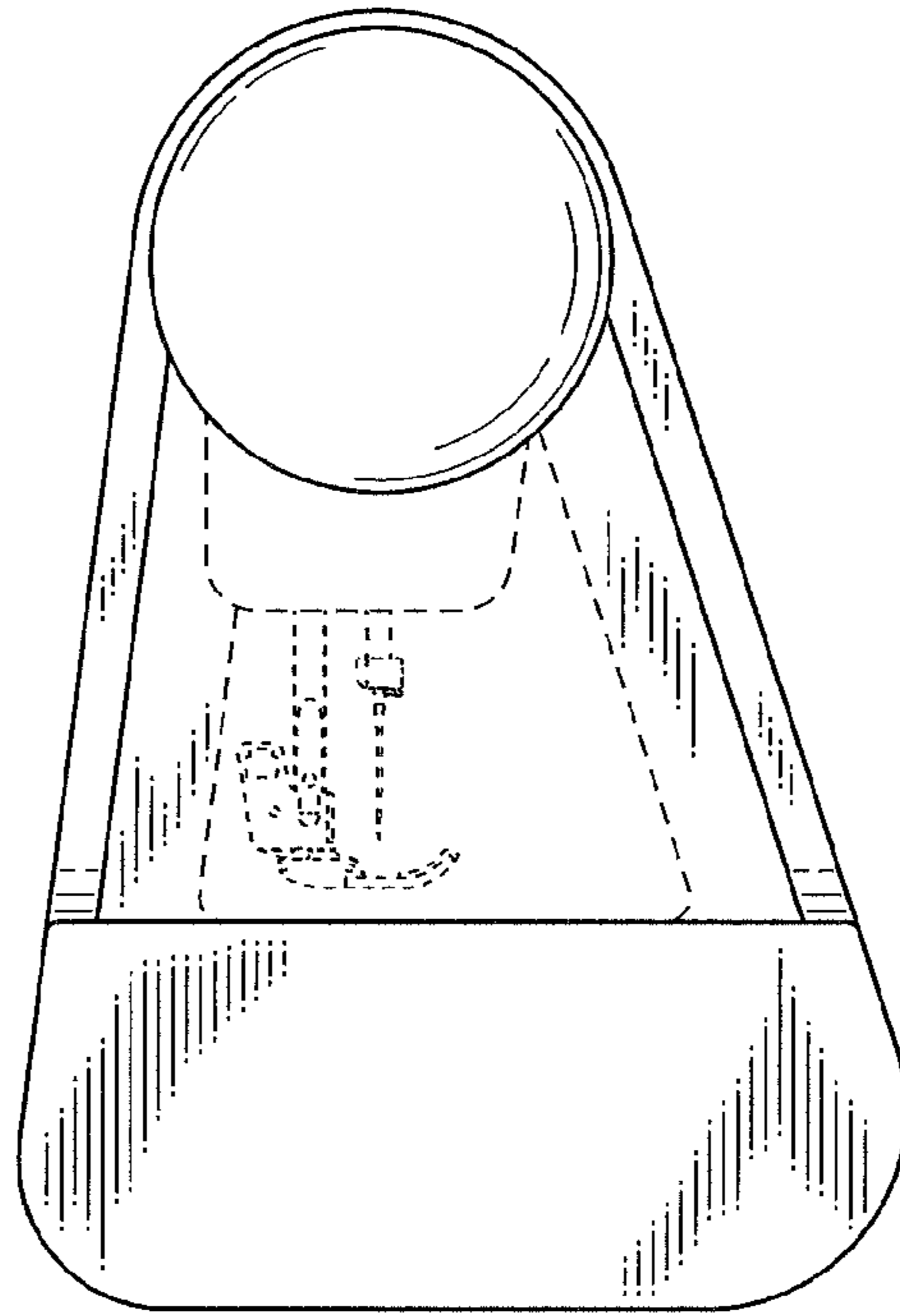


FIG. 6

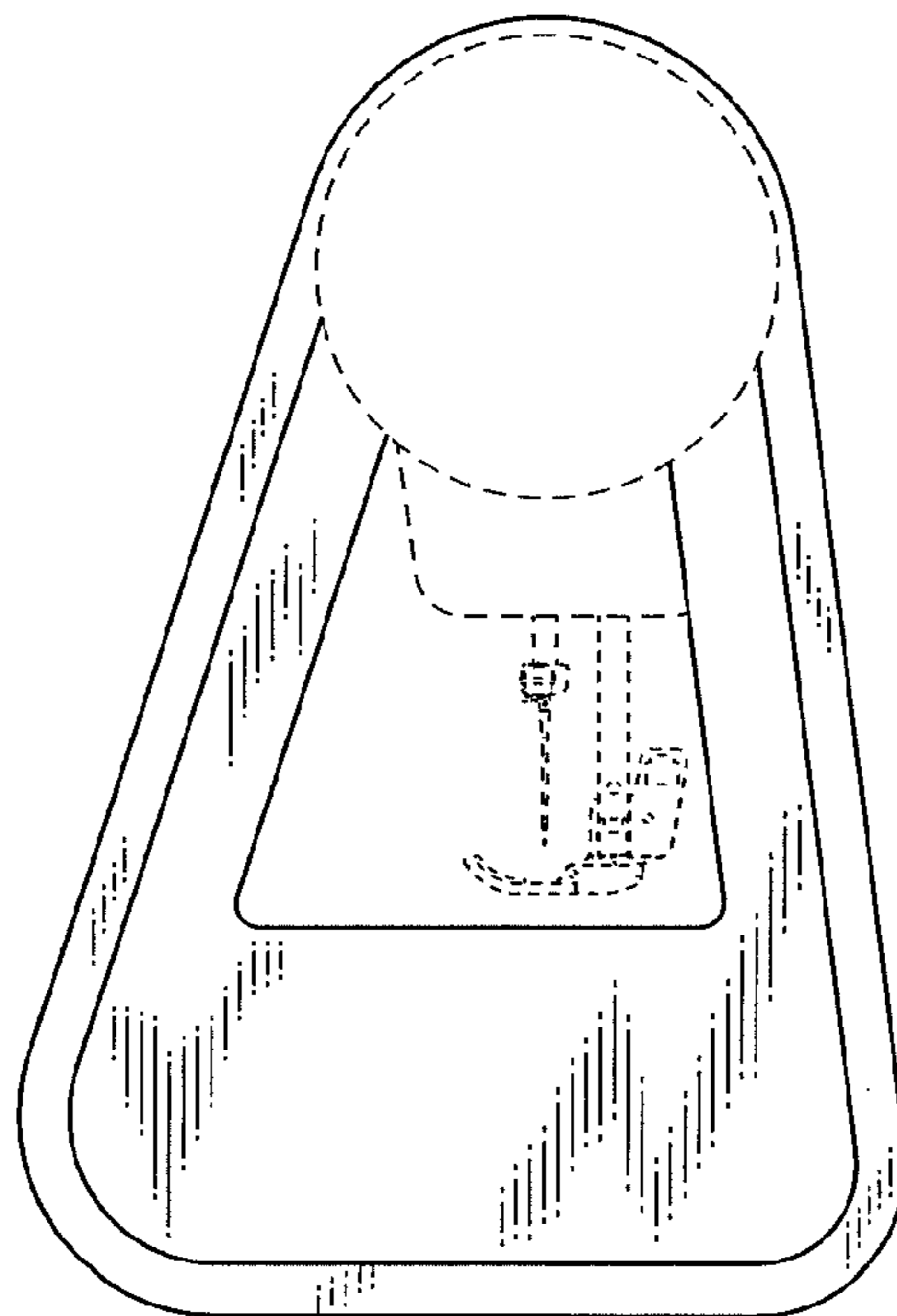


FIG. 7

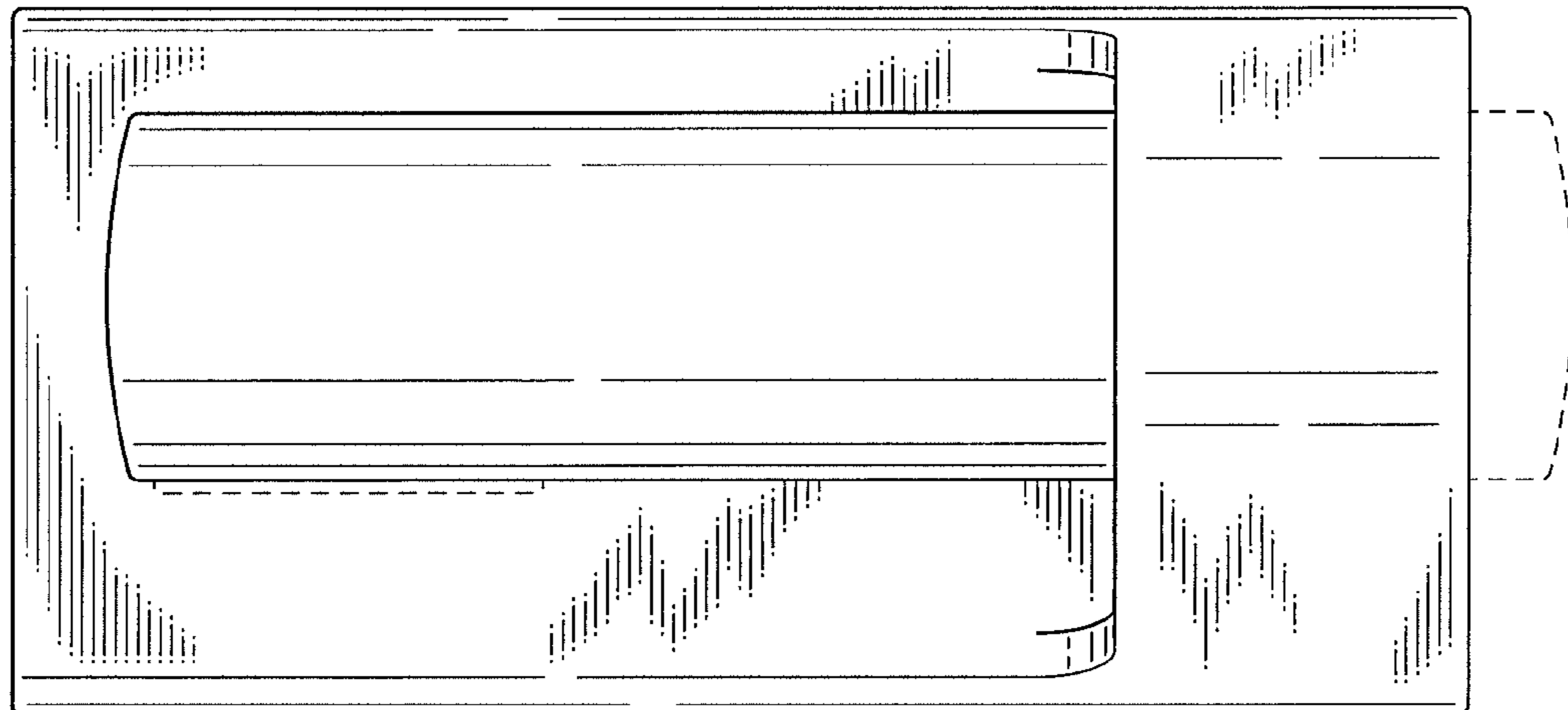


FIG. 8

