



US00D735248S

(12) **United States Design Patent**
Okuyama et al.

(10) **Patent No.:** **US D735,248 S**
(45) **Date of Patent:** **** Jul. 28, 2015**

(54) **TRACTOR**

(71) Applicant: **Yanmar Co., Ltd.**, Osaka-shi, Osaka (JP)

(72) Inventors: **Kiyoyuki Okuyama**, Yamagata (JP);
Shinya Kawashiri, Osaka (JP)

(73) Assignee: **Yanmar Co., Ltd.**, Osaka (JP)

(**) Term: **14 Years**

(21) Appl. No.: **29/480,180**

(22) Filed: **Jan. 23, 2014**

(30) **Foreign Application Priority Data**

Jul. 24, 2013 (JP) 2013-16908

(51) **LOC (10) CL.** **15-03**

(52) **U.S. Cl.**
USPC **D15/31**

(58) **Field of Classification Search**
USPC D15/28-33, 23, 10; D12/163, 171, 216;
296/193.1; 180/68.6, 900
See application file for complete search history.

(56) **References Cited**

U.S. PATENT DOCUMENTS

D178,603 S * 8/1956 Halgren et al. D15/23
D182,373 S * 3/1958 Miller D15/23

D488,489 S * 4/2004 Montgomery et al. D15/31
D500,772 S * 1/2005 Montgomery et al. D15/31
D558,799 S * 1/2008 Higashikawa D15/31
D642,597 S * 8/2011 Krogh et al. D15/31
D646,305 S * 10/2011 Krogh et al. D15/31
D660,323 S * 5/2012 Hiraoka et al. D15/31
D675,234 S * 1/2013 Kushita D15/31
D704,749 S * 5/2014 Shimomura et al. D15/28
D709,528 S * 7/2014 Shimomura et al. D15/28
D711,930 S * 8/2014 Kuwae et al. D15/31
D714,838 S * 10/2014 Shimomura et al. D15/31
D717,838 S * 11/2014 Kuwae et al. D15/23

* cited by examiner

Primary Examiner — Robin V Webster

(74) *Attorney, Agent, or Firm* — Sterne, Kessler, Goldstein & Fox P.L.L.C.

(57) **CLAIM**

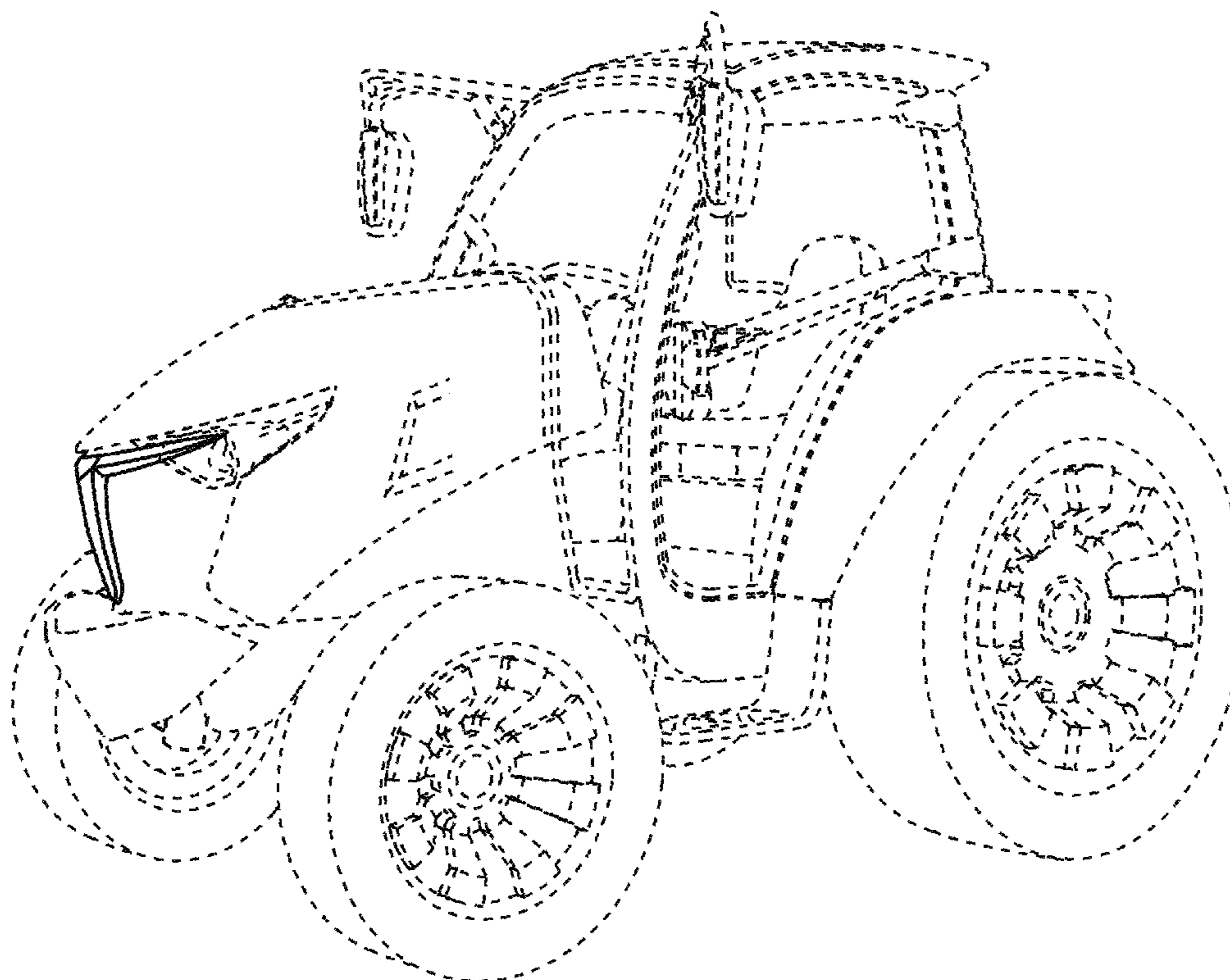
The ornamental design for a tractor, as shown and described.

DESCRIPTION

FIG. 1 is a front perspective view of a tractor showing our new design;
FIG. 2 is a front view thereof;
FIG. 3 is a rear view thereof;
FIG. 4 is a top plan view thereof;
FIG. 5 is a bottom plan view thereof;
FIG. 6 is a left side view thereof; and,
FIG. 7 is a right side view thereof.

The broken lines in the Figures show environment for illustrative purposes only and form no part of the claimed design.

1 Claim, 7 Drawing Sheets



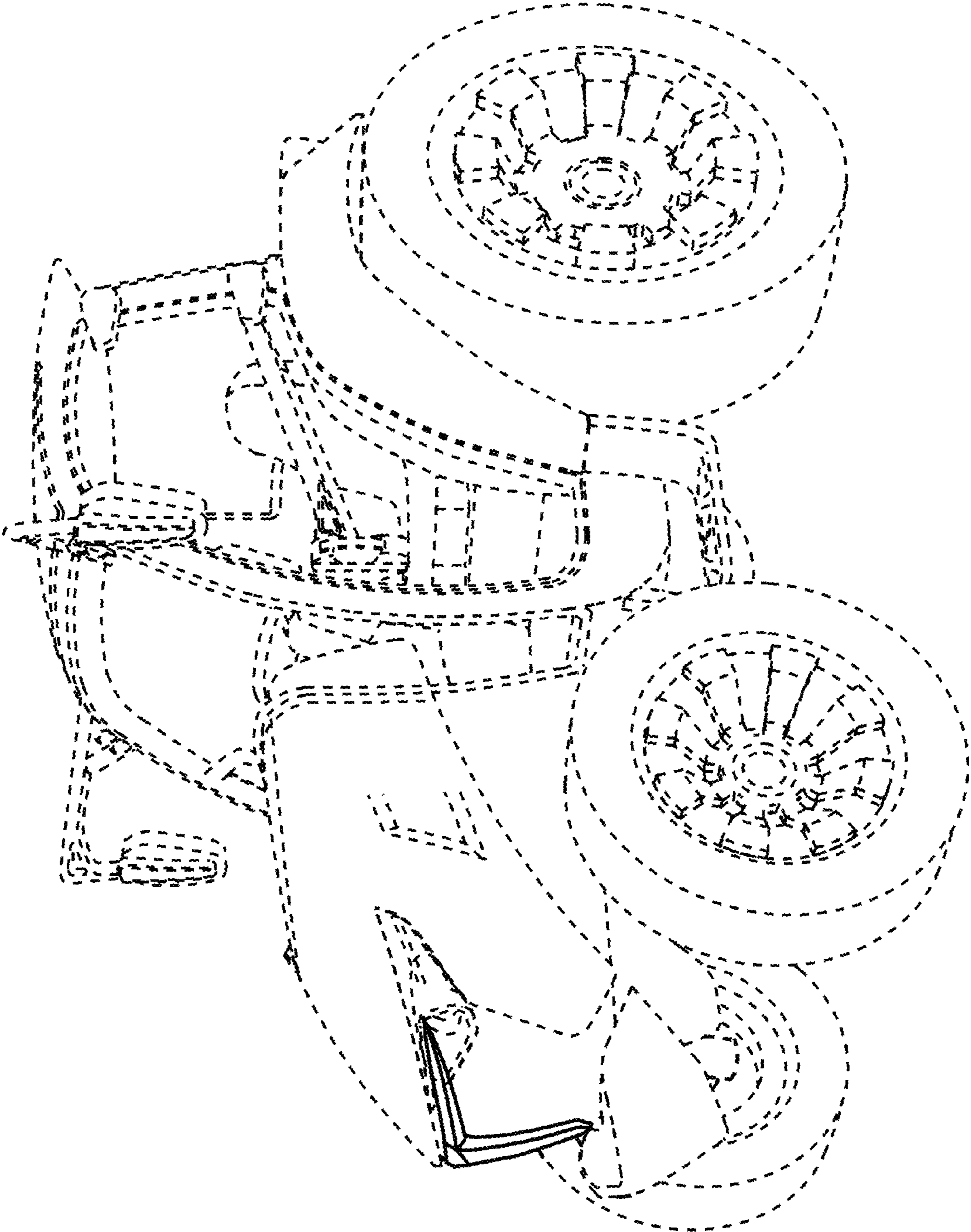


FIG. 1

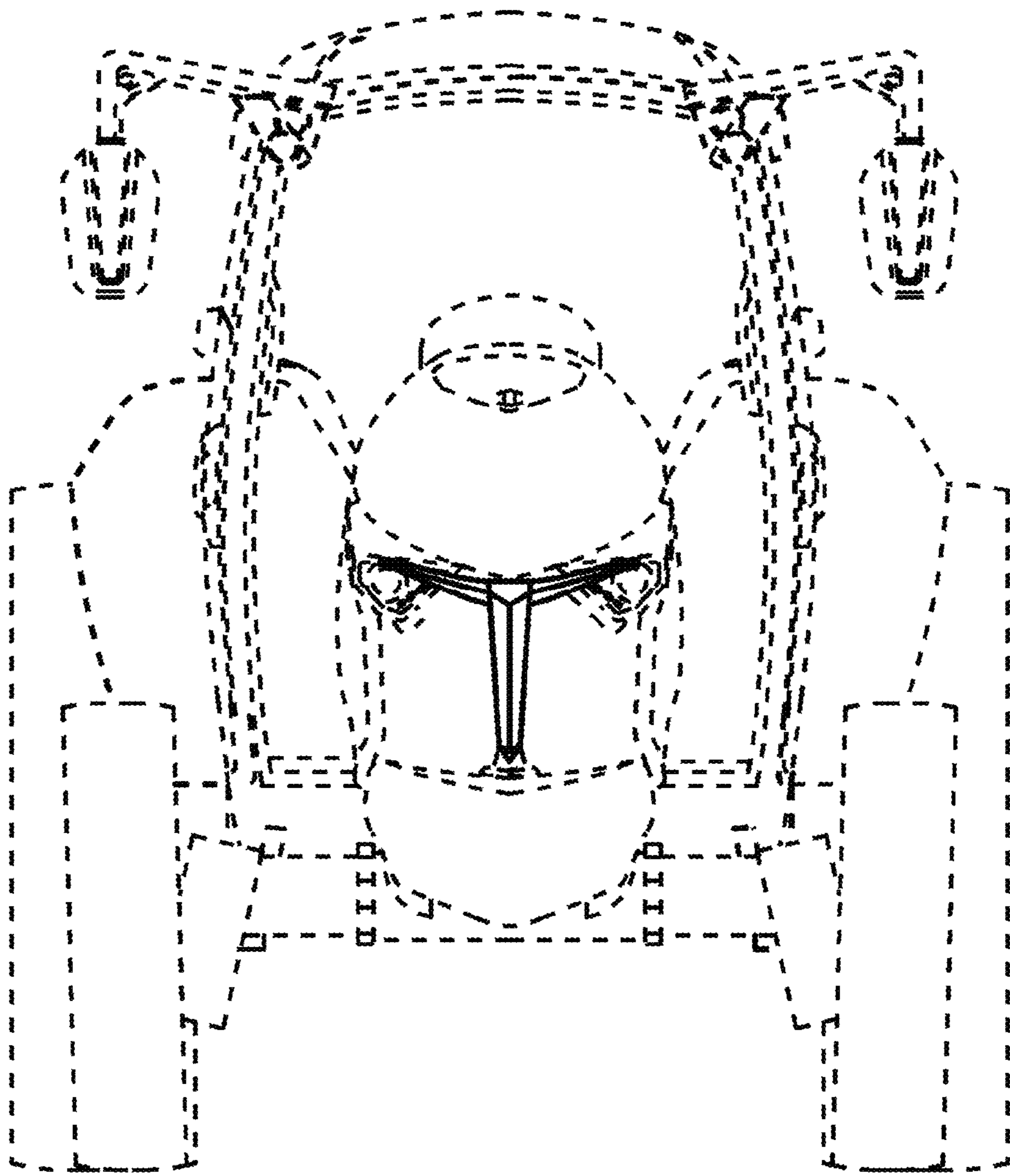


FIG. 2

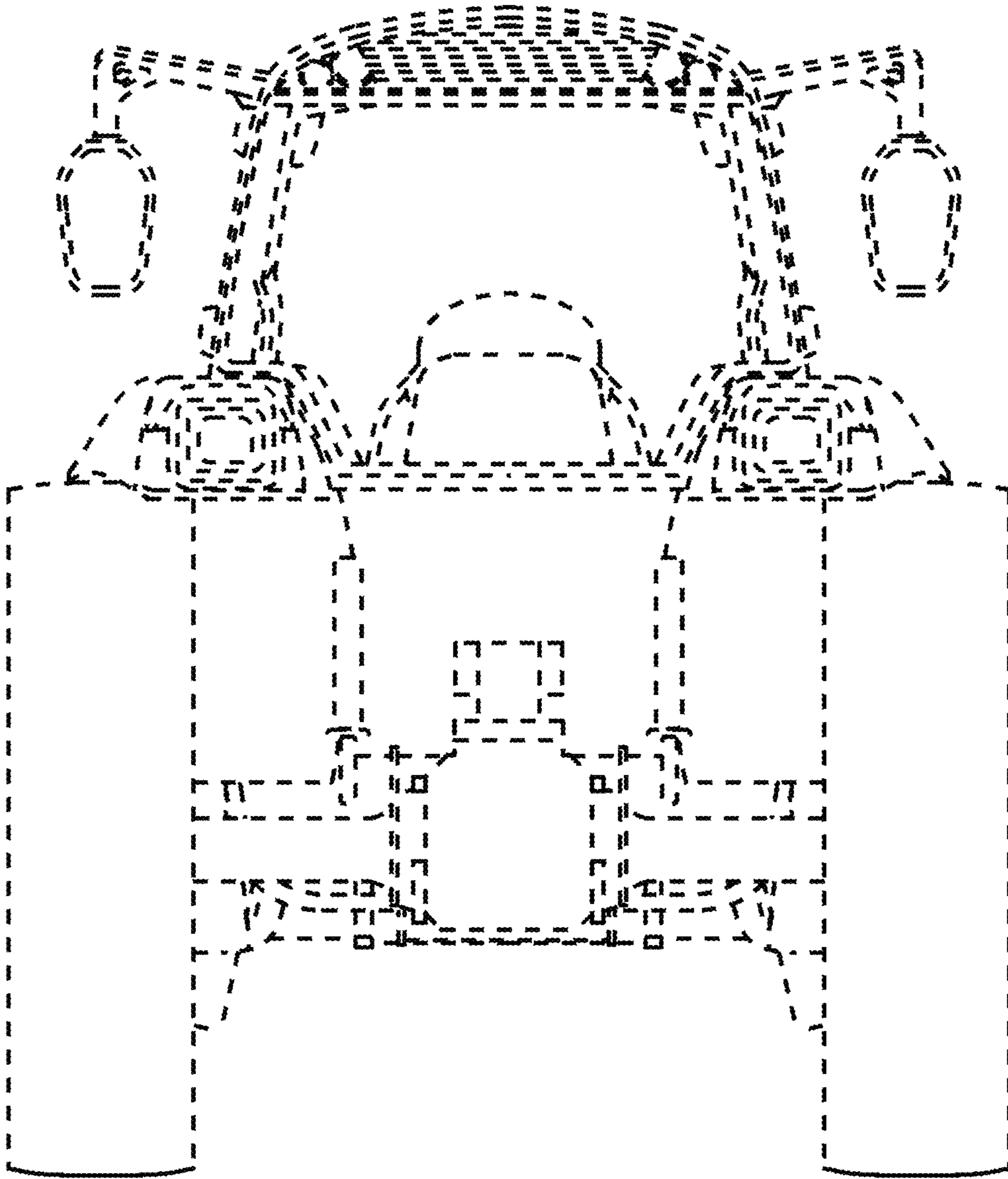


FIG. 3

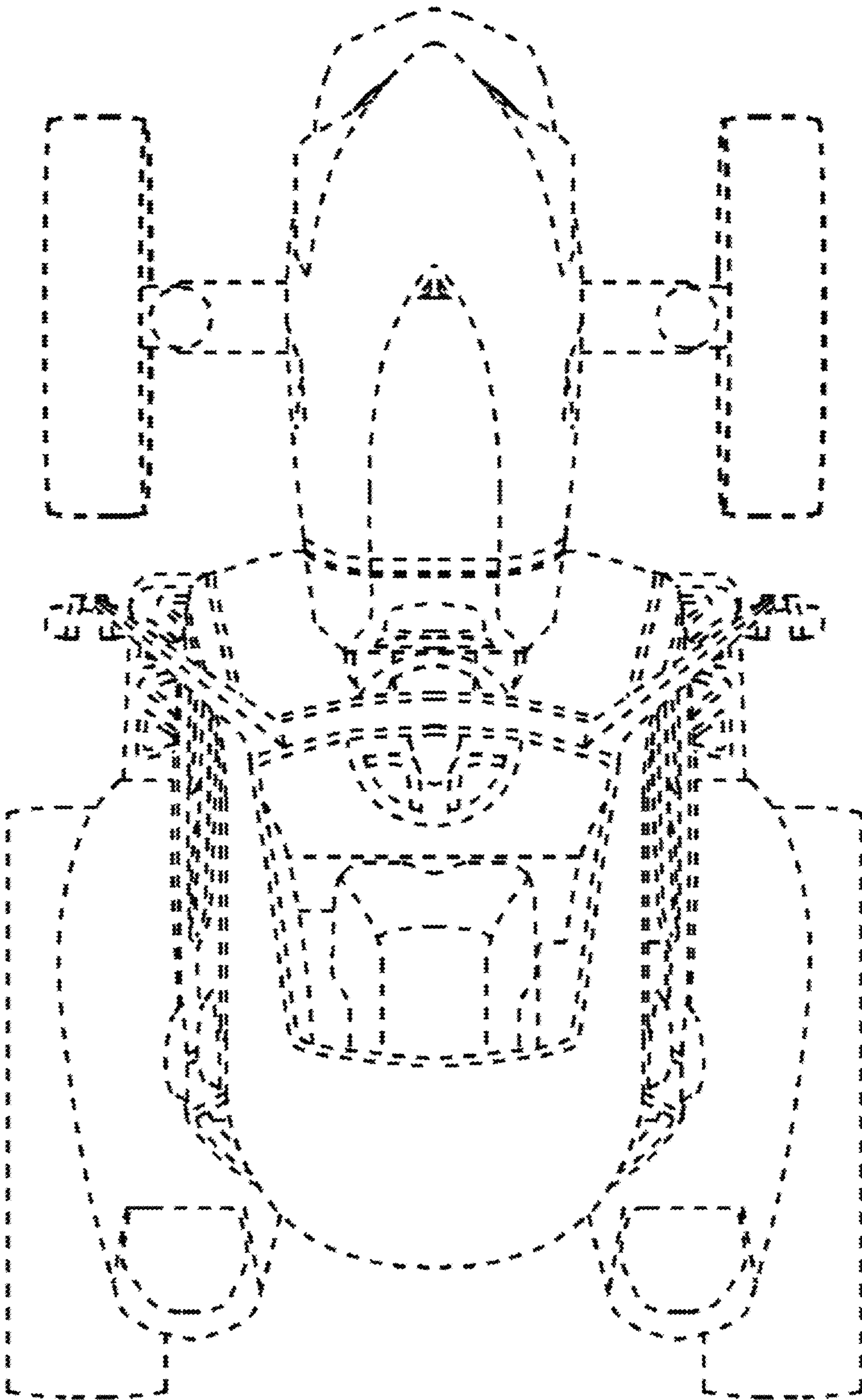


FIG. 4

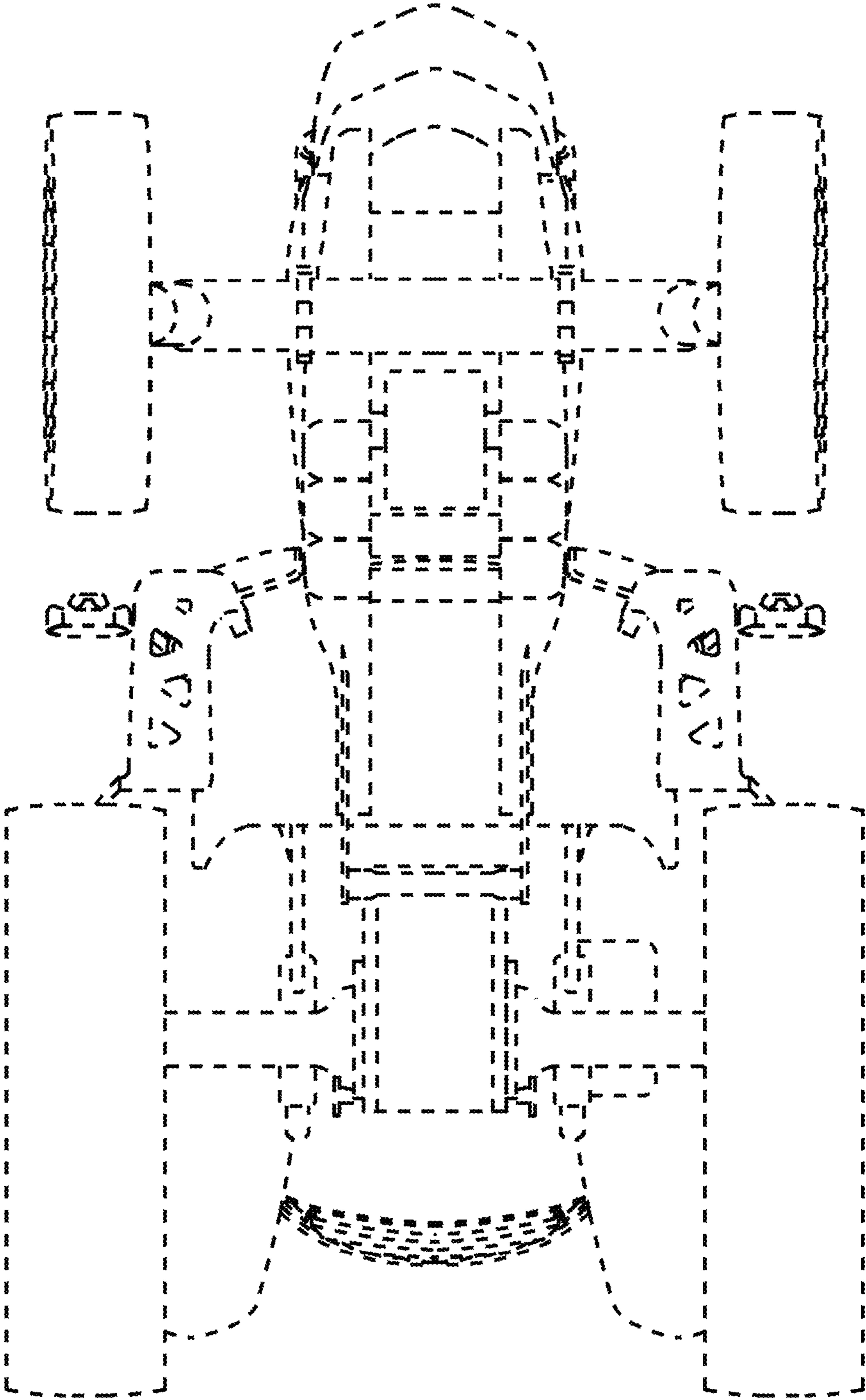


FIG. 5

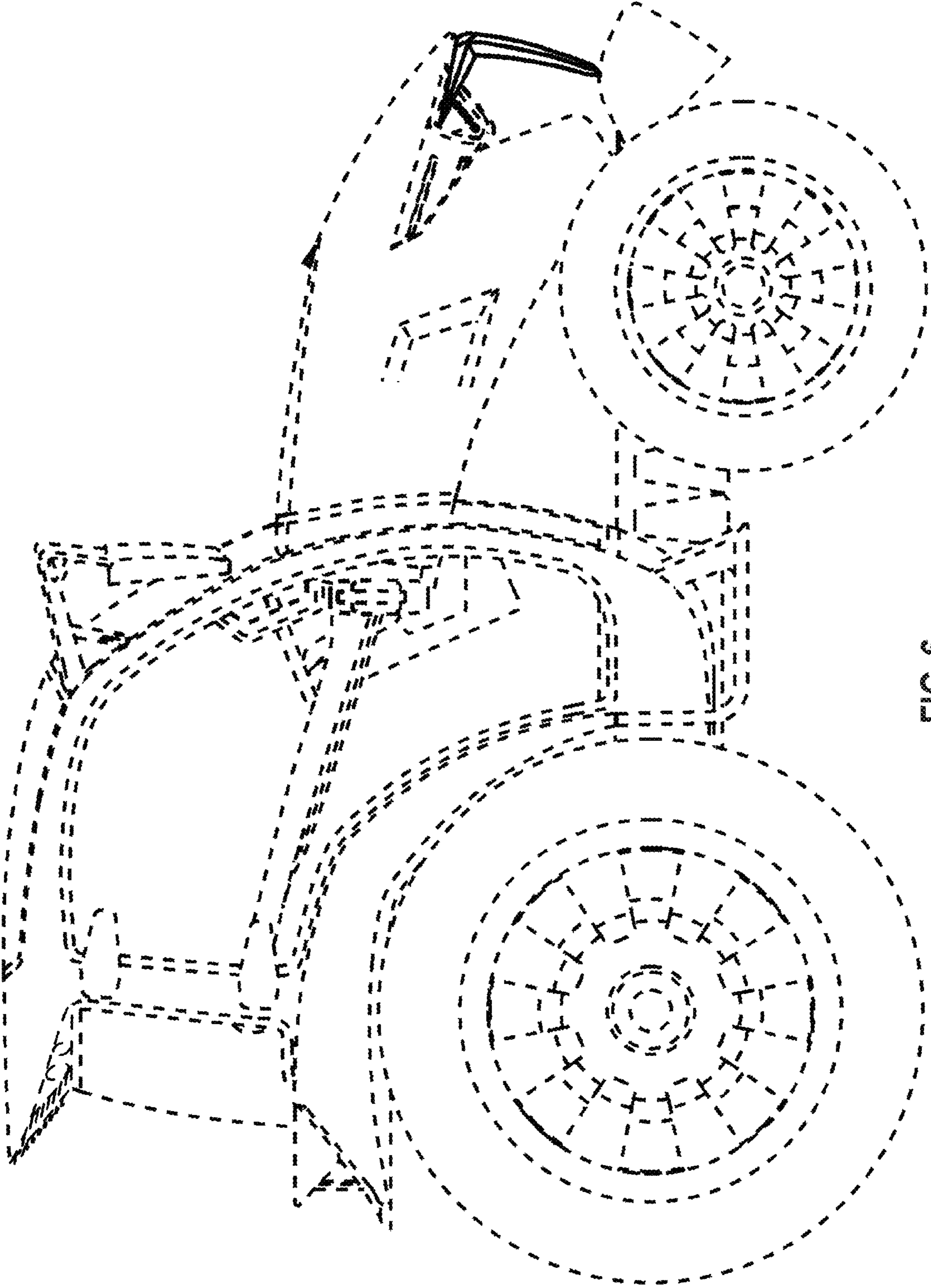


FIG. 6

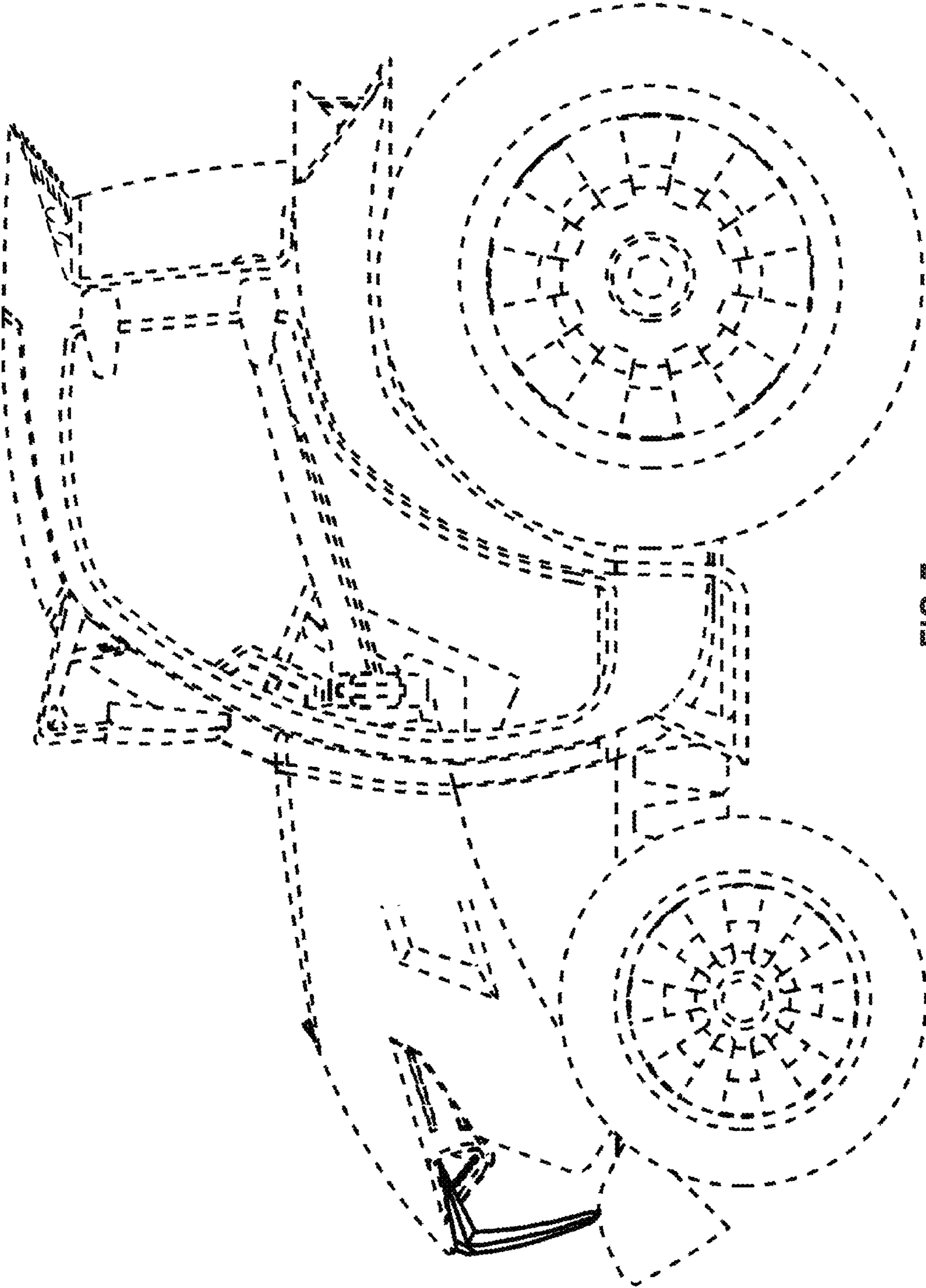


FIG. 7