



US00D735247S

(12) **United States Design Patent**
Malmqvist et al.

(10) **Patent No.:** **US D735,247 S**
(45) **Date of Patent:** **** Jul. 28, 2015**

(54) **CRUSHER INSPECTION HATCH ASSEMBLY**

(56)

References Cited

(71) Applicant: **SANDVIK INTELLECTUAL
PROPERTY AB**, Sandviken (SE)

U.S. PATENT DOCUMENTS

(72) Inventors: **Patric Malmqvist**, Svedala (SE);
Bengt-Arne Eriksson, Svedala (SE);
Axel Bergman, Malmö (SE); **Mikael
Larsson**, Eslöv (SE)

D263,229	S	*	3/1982	Nitz et al.	D15/5
D263,230	S	*	3/1982	Nitz et al.	D15/5
D322,075	S	*	12/1991	Jennings et al.	D15/5
D471,211	S	*	3/2003	Sollami	D15/21
D512,076	S	*	11/2005	Wuest et al.	D15/28
D593,848	S	*	6/2009	Balemi et al.	D8/382
7,823,820	B2	*	11/2010	Eriksson et al.	241/207
8,047,460	B2	*	11/2011	Eriksson et al.	241/207
D713,431	S	*	9/2014	Malmqvist et al.	D15/123
D716,853	S	*	11/2014	Malmqvist et al.	D15/123

(73) Assignee: **SANDVIK INTELLECTUAL
PROPERTY AB**, Sandviken (SE)

* cited by examiner

(**) Term: **14 Years**

Primary Examiner — Cynthia Ramirez

(21) Appl. No.: **29/470,347**

Assistant Examiner — Gino Colan

(22) Filed: **Oct. 21, 2013**

(74) *Attorney, Agent, or Firm* — Corinne R. Gorski

(30) **Foreign Application Priority Data**

(57) **CLAIM**

Apr. 22, 2013 (EP) 001368807-0001

The ornamental design for a crusher inspection hatch assembly, as shown and described.

(51) **LOC (10) Cl.** **15-99**

DESCRIPTION

(52) **U.S. Cl.**
USPC **D15/28**

(58) **Field of Classification Search**
USPC D15/5, 10-33, 141, 138; 72/448, 455;
100/207, 208, 214, 268, 282, 292;
241/31, 58, 159, 179, 236
CPC B01D 41/04; B02C 1/00; B02C 1/02;
B02C 2/04; B02C 13/00; B02C 13/1828;
B02C 18/14; B02C 18/142

FIG. 1 is a perspective view of a crusher inspection hatch assembly,

FIG. 2 is a front view thereof,

FIG. 3 is a back view thereof,

FIG. 4 is a left side view thereof,

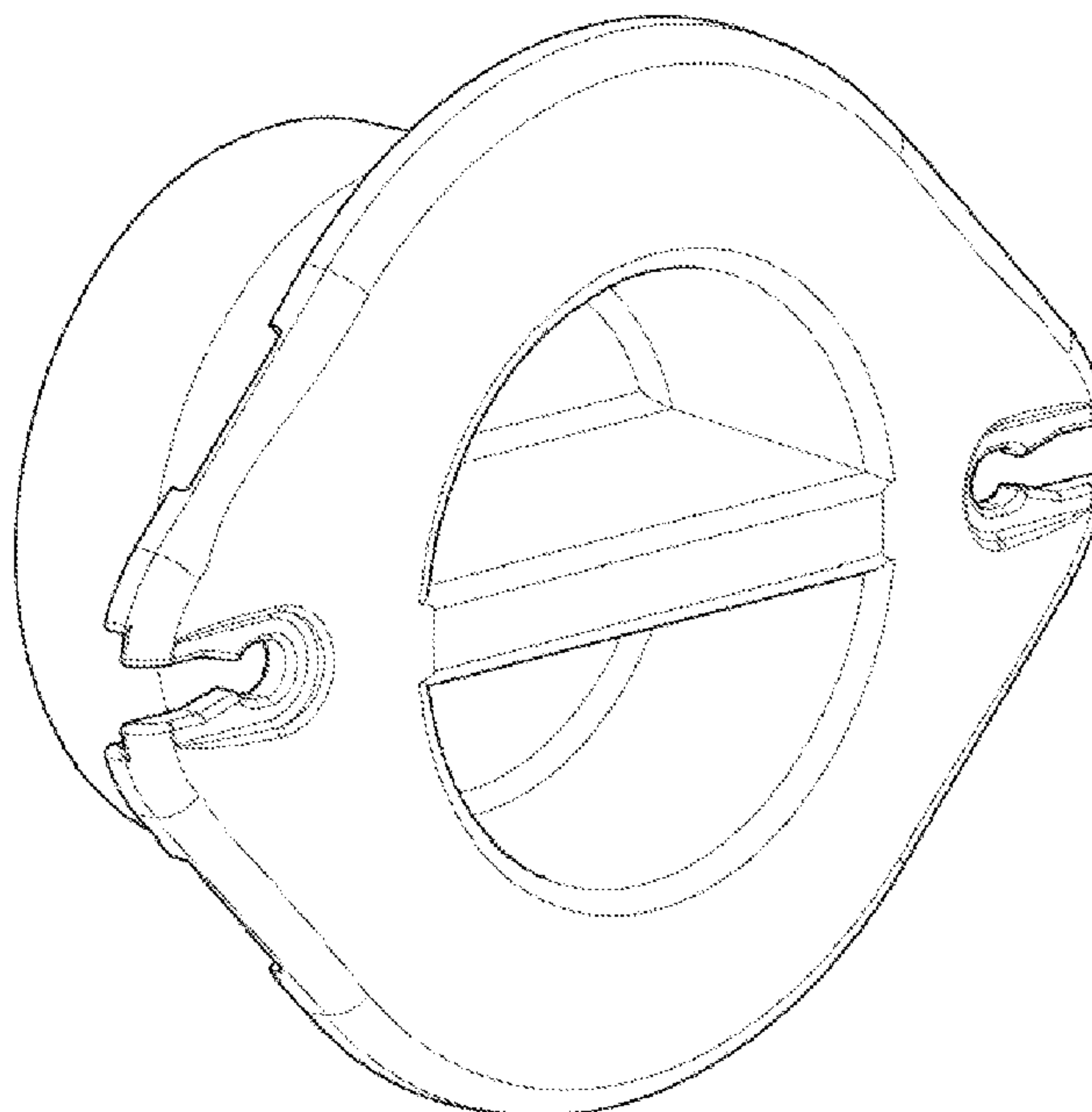
FIG. 5 is a right side view thereof,

FIG. 6 is a top view thereof; and,

FIG. 7 is a bottom view thereof.

See application file for complete search history.

1 Claim, 7 Drawing Sheets



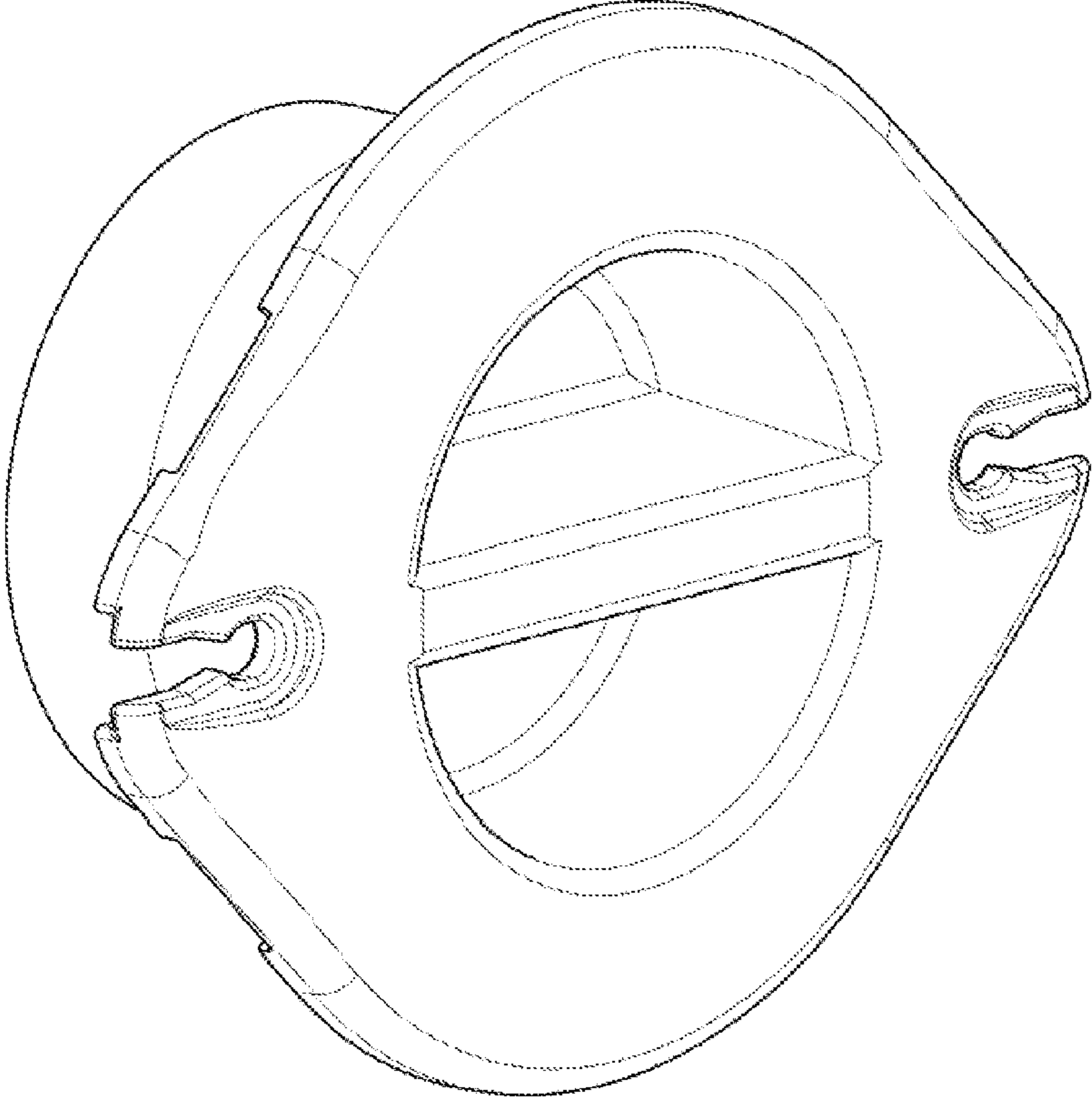


Fig. 1

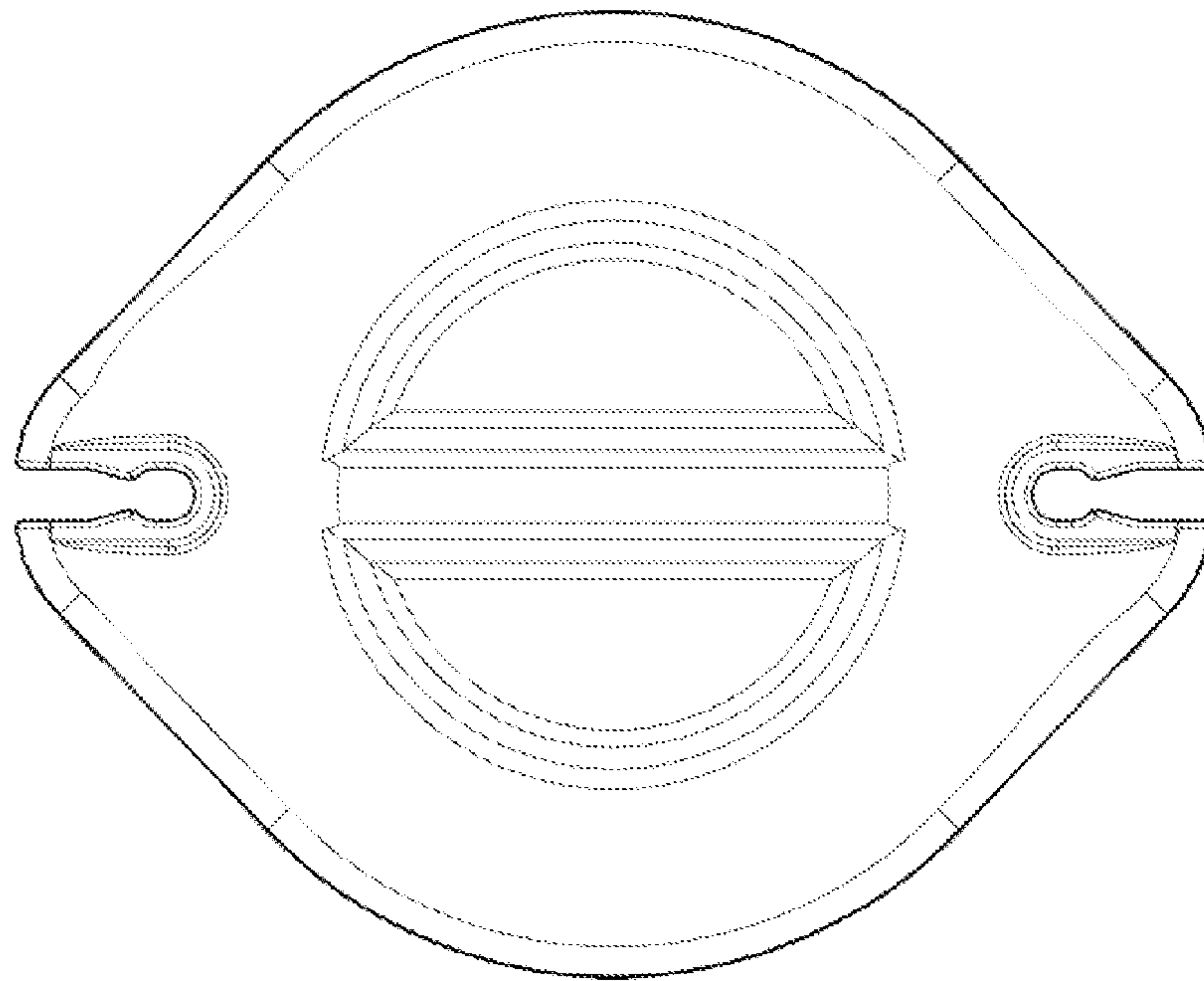


Fig. 2

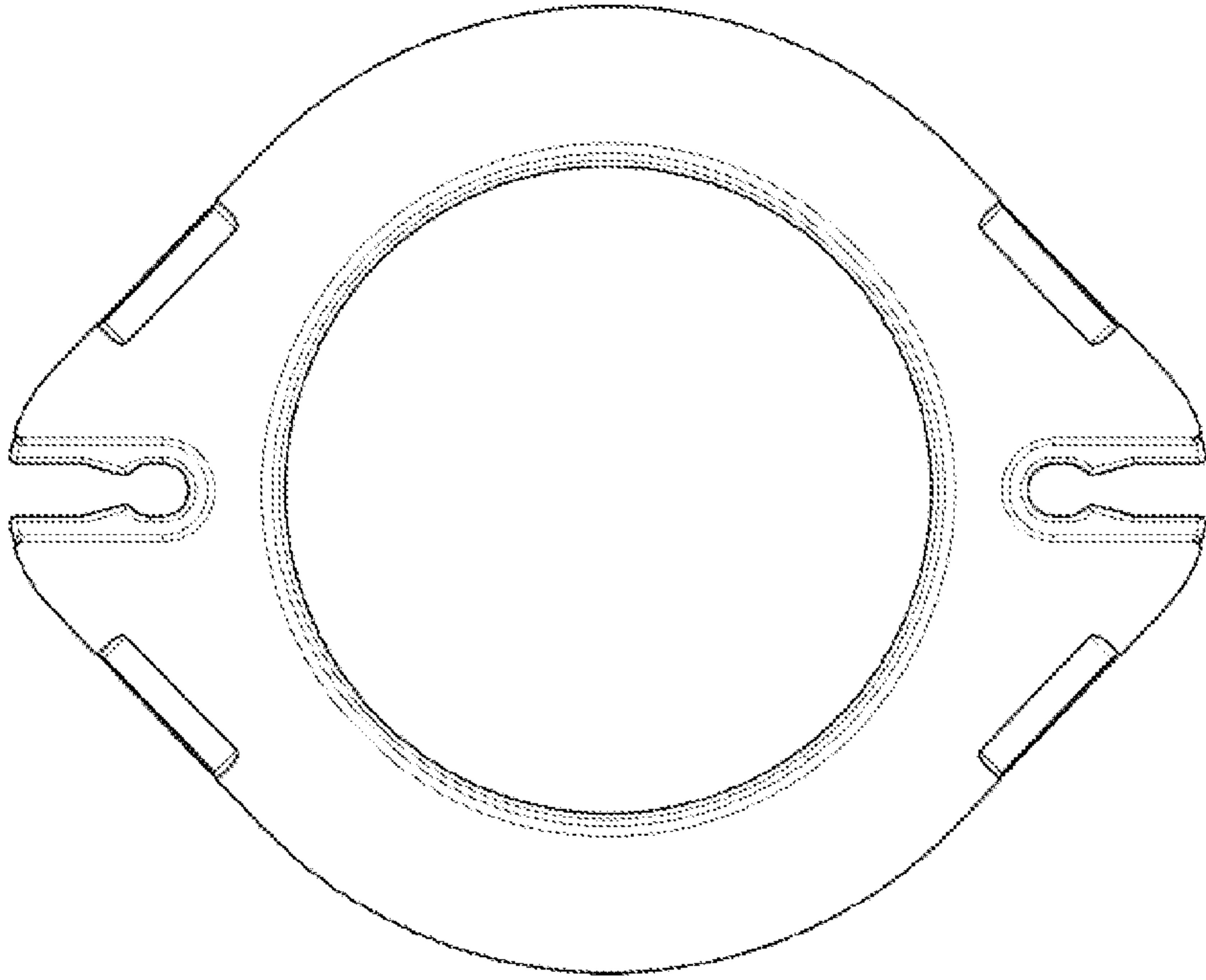


Fig. 3

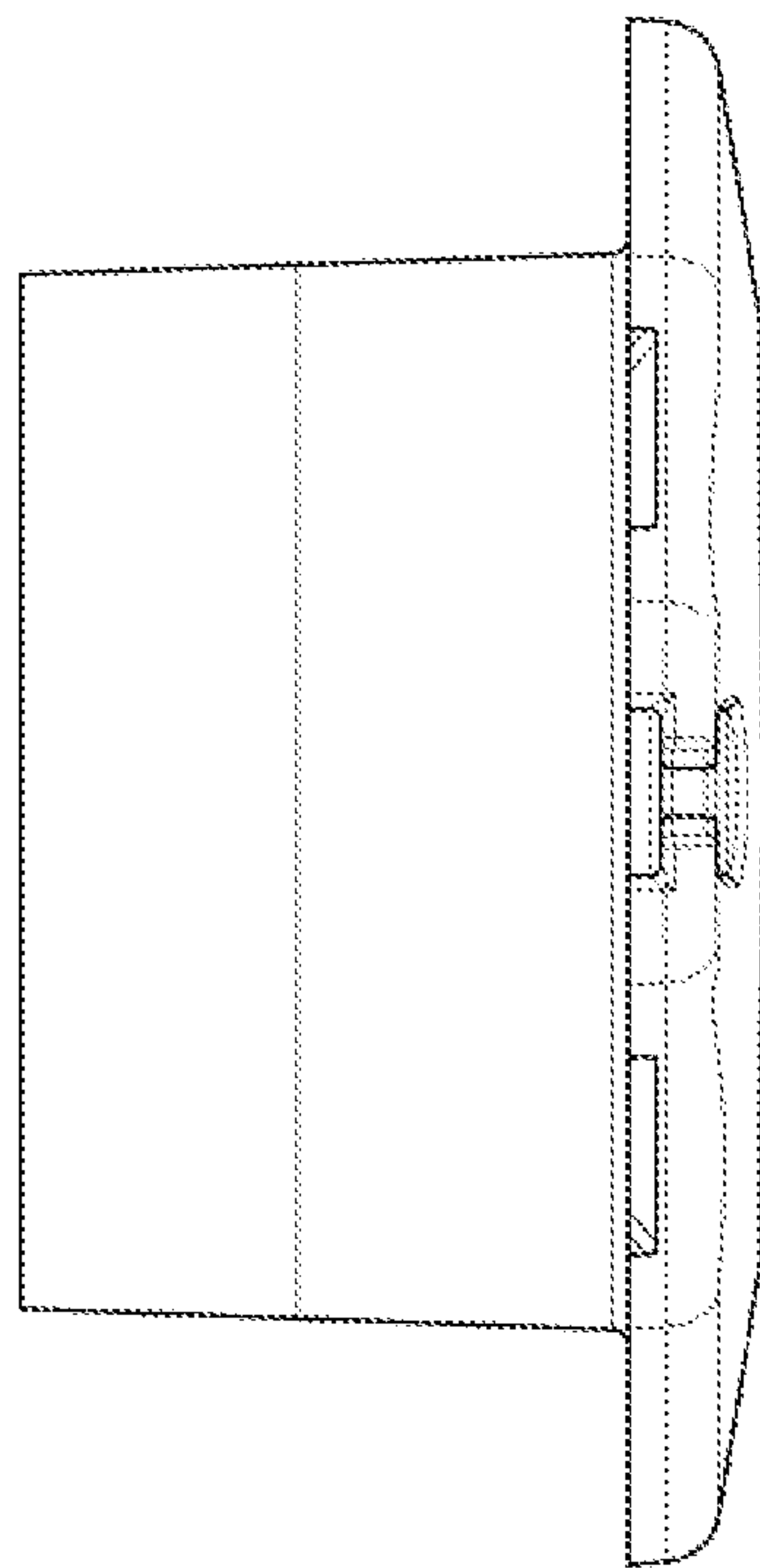


Fig. 4

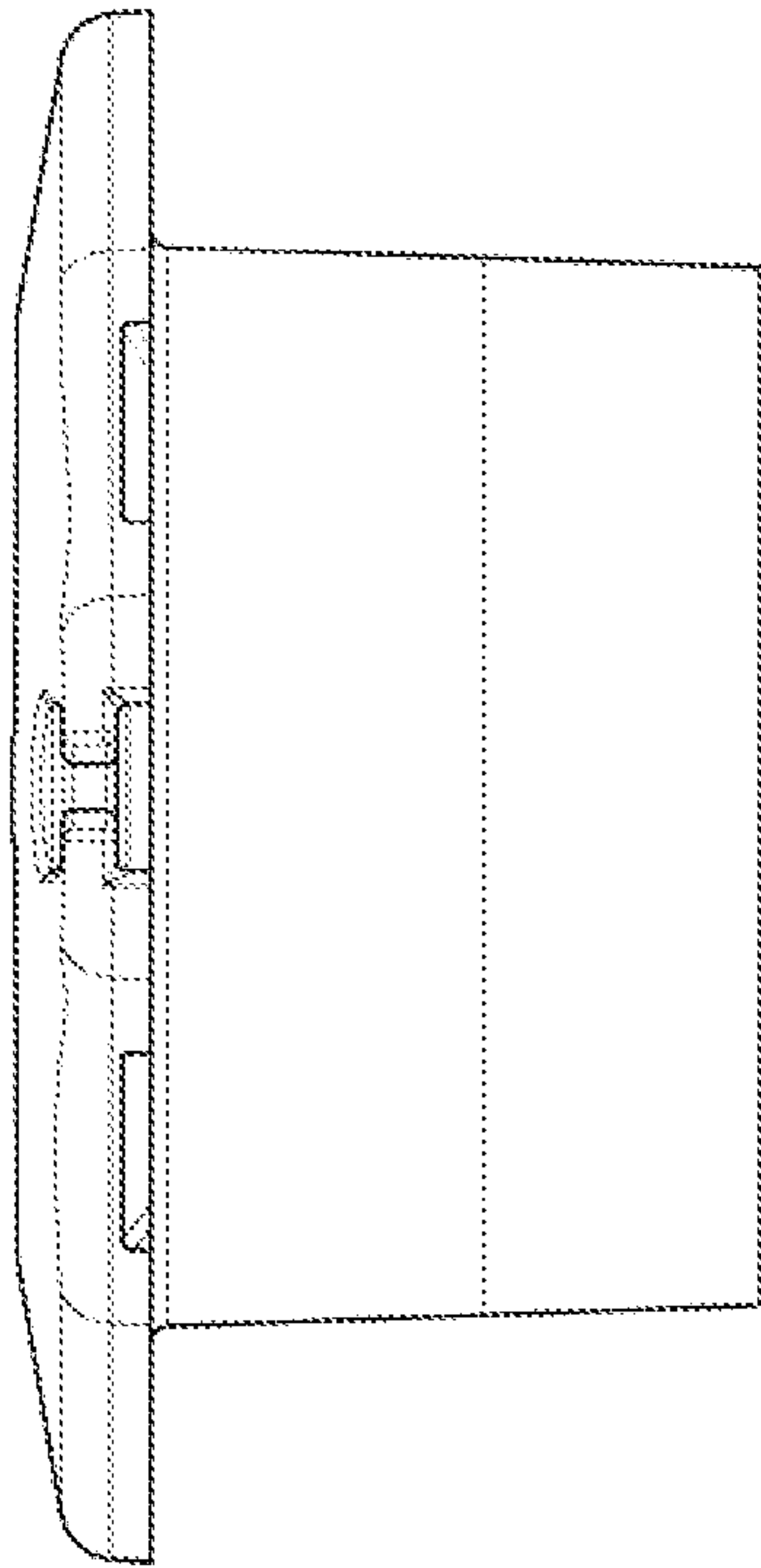


Fig. 5

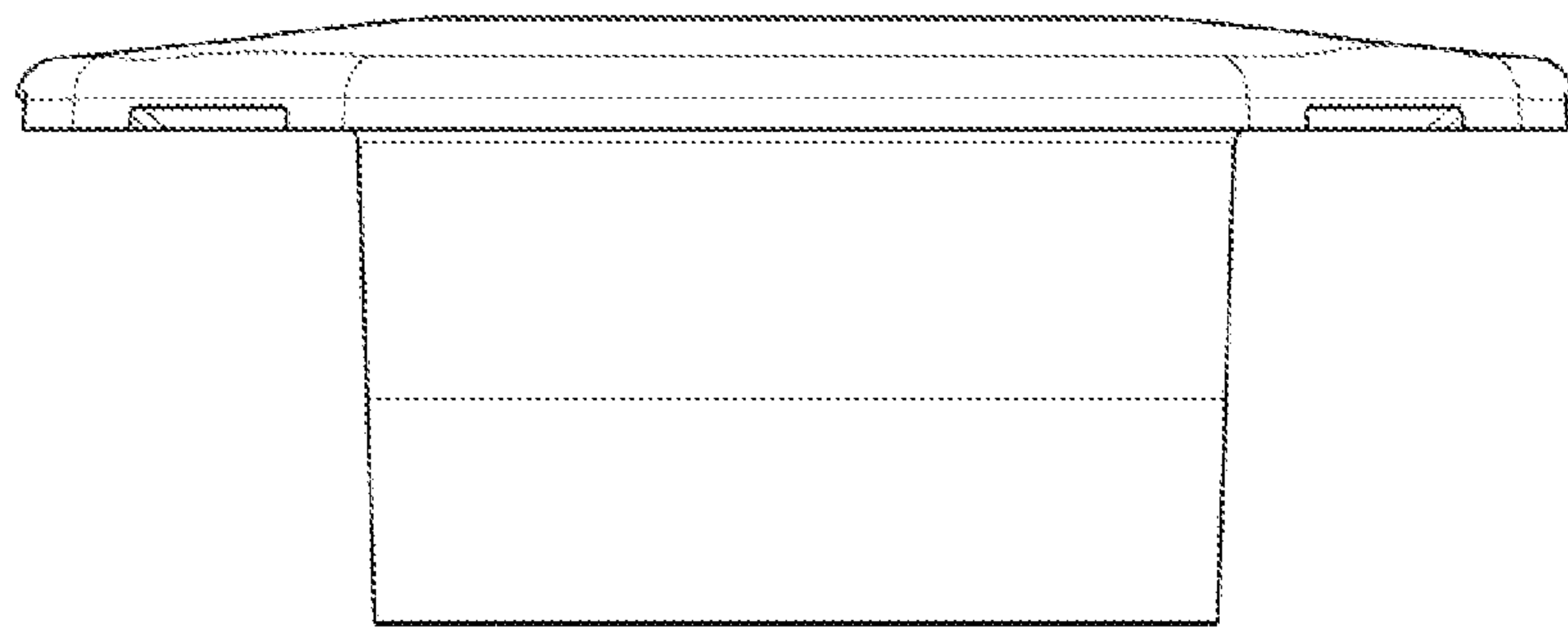


Fig. 6

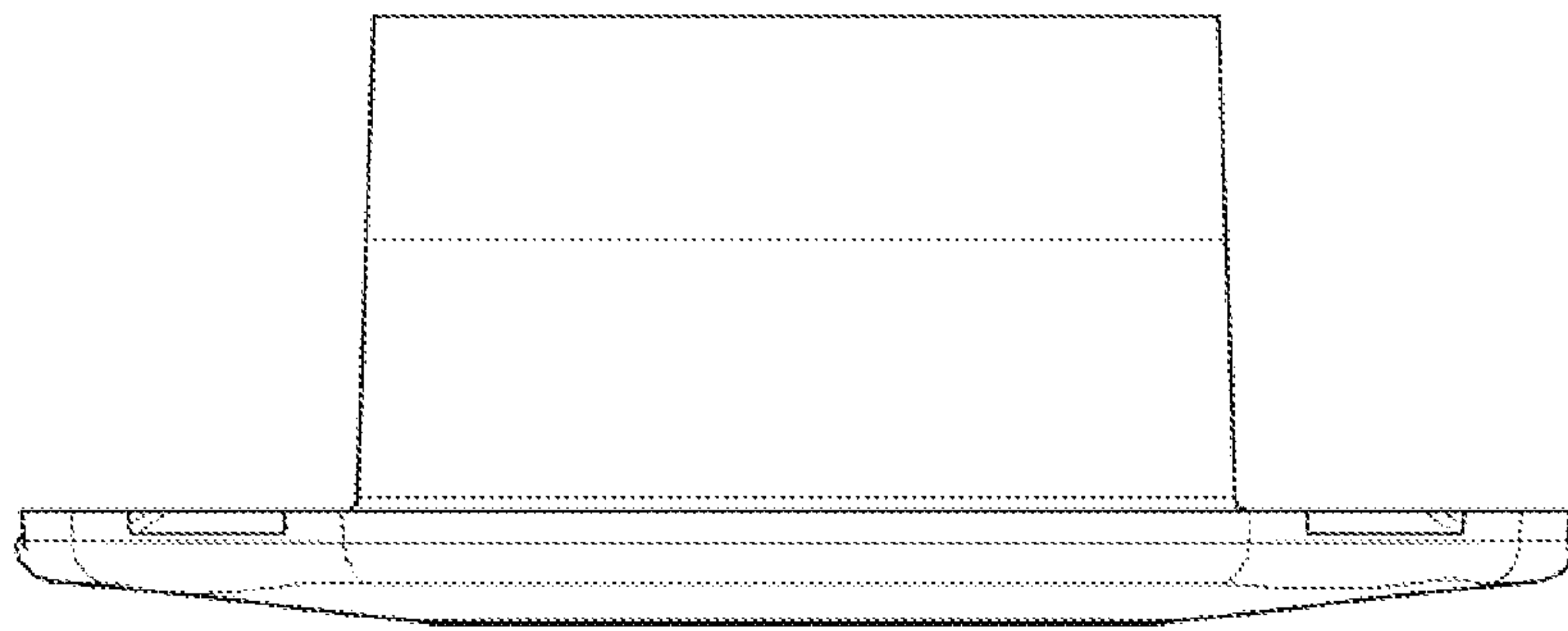


Fig. 7