



US00D735246S

(12) **United States Design Patent**  
**Miller et al.**

(10) **Patent No.:** **US D735,246 S**  
(45) **Date of Patent:** **\*\* Jul. 28, 2015**

(54) **WORK VEHICLE BODY**

(71) Applicant: **Deere & Company**, Moline, IL (US)  
(72) Inventors: **Gregory G. Miller**, Dubuque, IA (US);  
**Christopher L. Guillory**, Peosta, IA (US); **Jessica L. Shetler**, Peosta, IA (US); **David J. Hunstad**, Dubuque, IA (US); **Steven T. Blasen**, Peosta, IA (US); **Robert T. Carr**, Rickardsville, IA (US); **Thomas H. Ward**, Ventura, CA (US); **Jacob R. Loniak**, Santa Monica, CA (US); **John W. Krieger**, Westlake Village, CA (US)

(73) Assignee: **Deere & Company**, Moline, IL (US)

(\*\*) Term: **14 Years**

(21) Appl. No.: **29/461,247**

(22) Filed: **Jul. 19, 2013**

(51) **LOC (10) Cl.** ..... **15-03**

(52) **U.S. Cl.**  
USPC ..... **D15/28**

(58) **Field of Classification Search**  
USPC ..... D15/28, 10-27, 29-33; 180/89.12, 235,  
180/900; 414/694, 699, 722-724, 601, 602,  
414/685, 687, 688; 299/69, 70, 20, 2;  
172/780, 781, 776  
CPC .... B62D 21/186; B62D 35/001; B62D 49/06;  
B62D 53/02; B62D 53/026; E02F 3/6273  
See application file for complete search history.

(56) **References Cited**

U.S. PATENT DOCUMENTS

4,650,242 A \* 3/1987 Obe et al. .... 296/190.08  
6,409,459 B1 \* 6/2002 Ginn et al. .... 414/685  
D636,795 S \* 4/2011 Yamamoto et al. .... D15/30  
D652,061 S \* 1/2012 Hiraoka et al. .... D15/23  
D652,062 S \* 1/2012 Hiraoka et al. .... D15/23

(Continued)

OTHER PUBLICATIONS

Orbit Website Search, Apr. 9, 2015, Designs-Questel Work Vehicle Body US RGN #D0707727, shown in p. 1/1.\*

(Continued)

*Primary Examiner* — Cynthia Ramirez

*Assistant Examiner* — Gino Colan

(74) *Attorney, Agent, or Firm* — Quarles & Brady LLP

(57) **CLAIM**

The ornamental design for a work vehicle body, as shown and described.

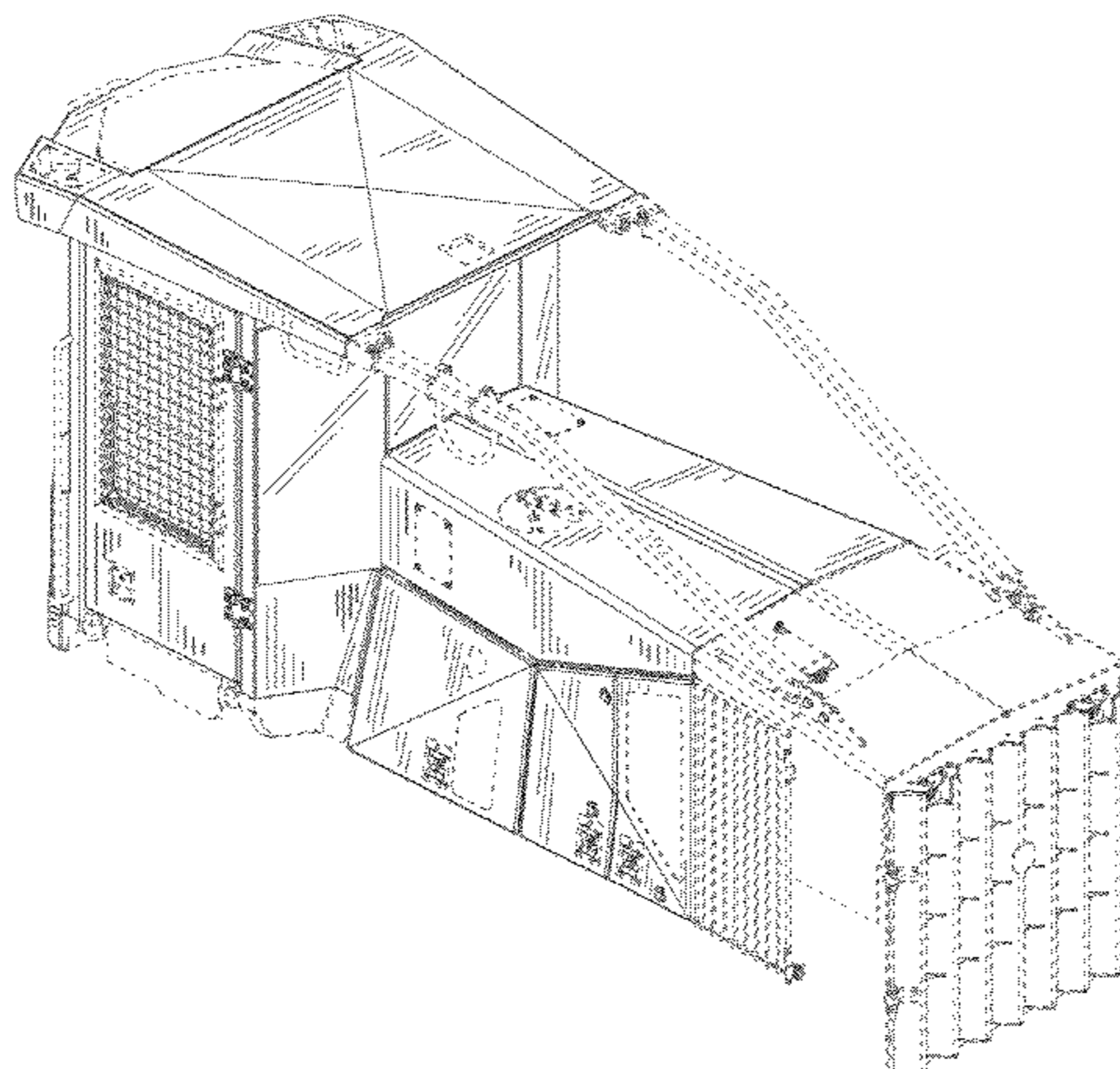
**DESCRIPTION**

FIG. 1 is a top, rear, left perspective view of a work vehicle body showing our new design;  
FIG. 2 is a left side elevational view thereof;  
FIG. 3 is a right side elevational view thereof;  
FIG. 4 is a rear end view thereof;  
FIG. 5 is a front end view thereof;  
FIG. 6 is a top plan view thereof;  
FIG. 7 is a top, rear, left perspective view thereof shown with exemplary work vehicle environment;  
FIG. 8 is a top, front, right perspective view of a work vehicle body showing another embodiment of our new design;  
FIG. 9 is a right side elevational view thereof;  
FIG. 10 is a left side elevational view thereof;  
FIG. 11 is a front end view thereof;  
FIG. 12 is a rear end view thereof;  
FIG. 13 is a top plan view thereof; and,  
FIG. 14 is a top, front, right perspective view thereof shown with exemplary work vehicle environment.

The broken line representations in the figures, including the broken line work vehicle environment shown in FIGS. 7 and 14, show unclaimed environment or boundaries, and thus form no part of the claimed design.

The nature of this product is a work vehicle, such as used in the construction and forestry industries.

**1 Claim, 12 Drawing Sheets**



(56)

**References Cited**

U.S. PATENT DOCUMENTS

8,297,906 B2 \* 10/2012 Nabata et al. .... 414/722  
D688,712 S \* 8/2013 Suzuki et al. .... D15/23  
D697,089 S \* 1/2014 Suzuki et al. .... D15/23  
D697,090 S \* 1/2014 Suzuki et al. .... D15/23  
D707,727 S \* 6/2014 Miller et al. .... D15/28  
D721,742 S \* 1/2015 Lee et al. .... D15/30  
2012/0301258 A1 \* 11/2012 Nagata et al. .... 414/723  
2015/0050110 A1 \* 2/2015 Matsuyama et al. .... 414/687

OTHER PUBLICATIONS

Orbit Website Search, Apr. 9, 2015, Designs-Questel Work Vehicle Body CA RGN #152587, shown in p. 1/1.\*  
Orbit Website Search, Apr. 9, 2015, Designs-Questel Work Vehicle Cabin CA RGN #152588, shown in p. 1/1.\*  
John Deere Skidders 548G-III/648H/748H/848H Grapple Catalog, Oct. 2012.  
Canadian Intellectual Property Office Examiner's Report for related Canadian Patent Application No. 152587, dated Apr. 25, 2014.

\* cited by examiner

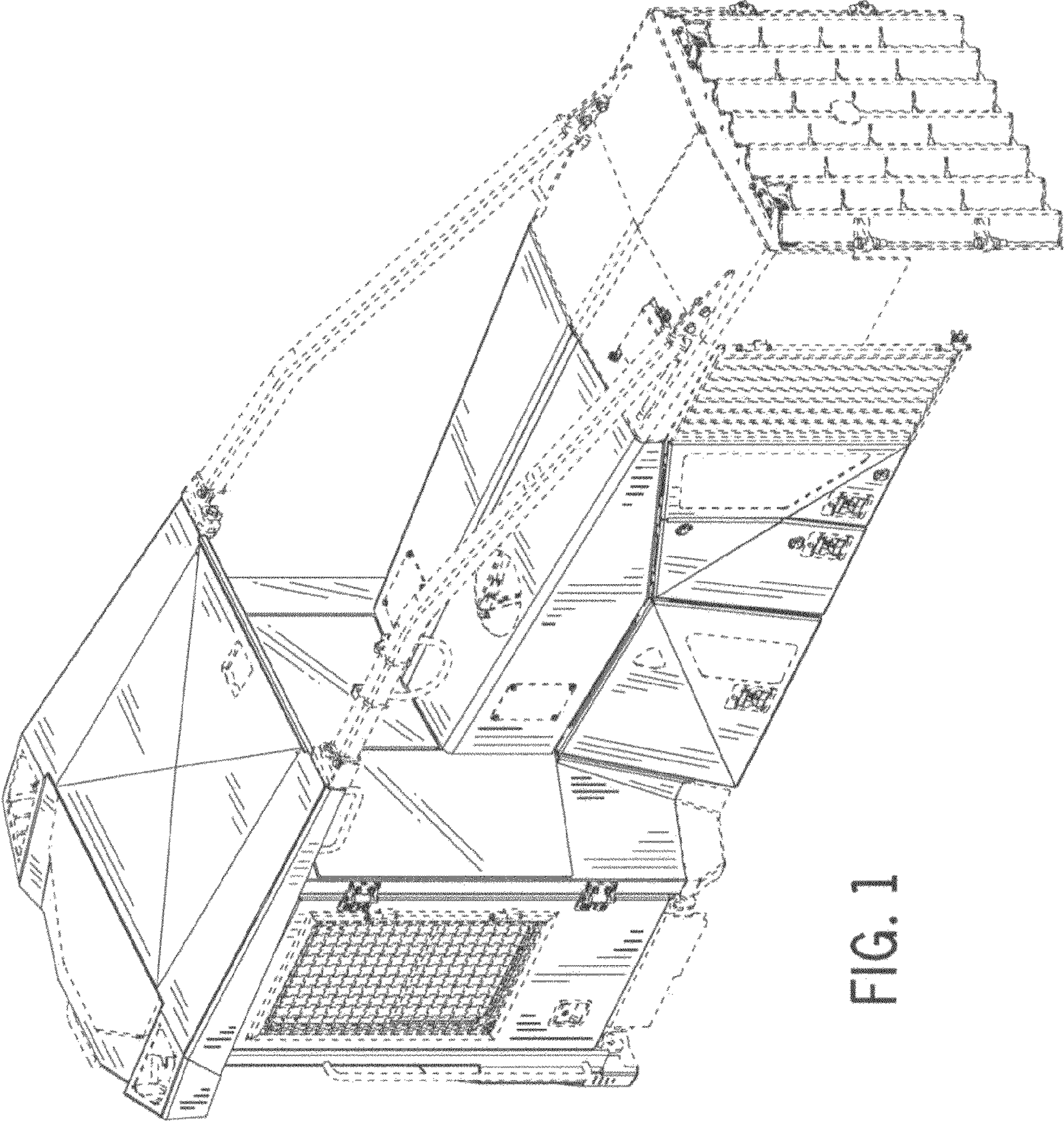


FIG. 1

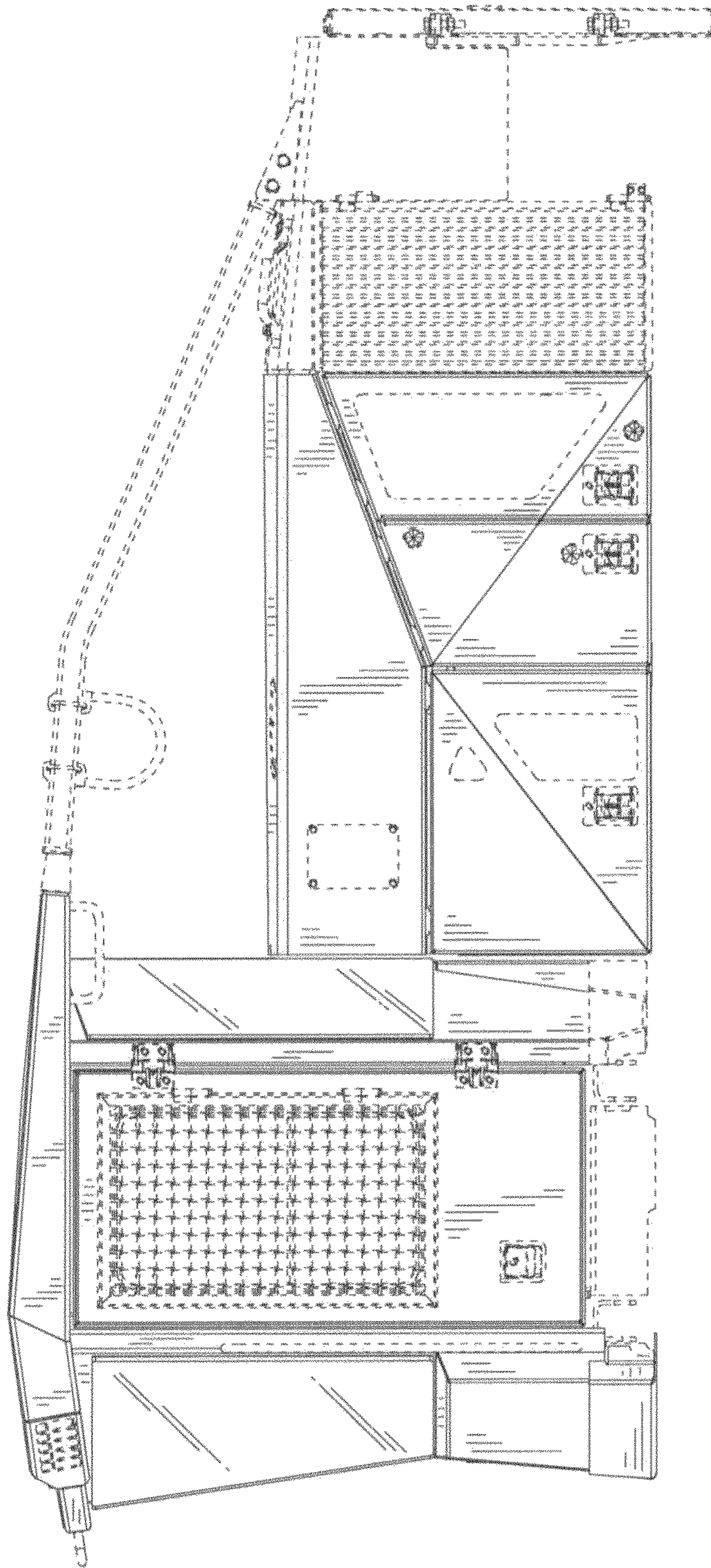


FIG. 2

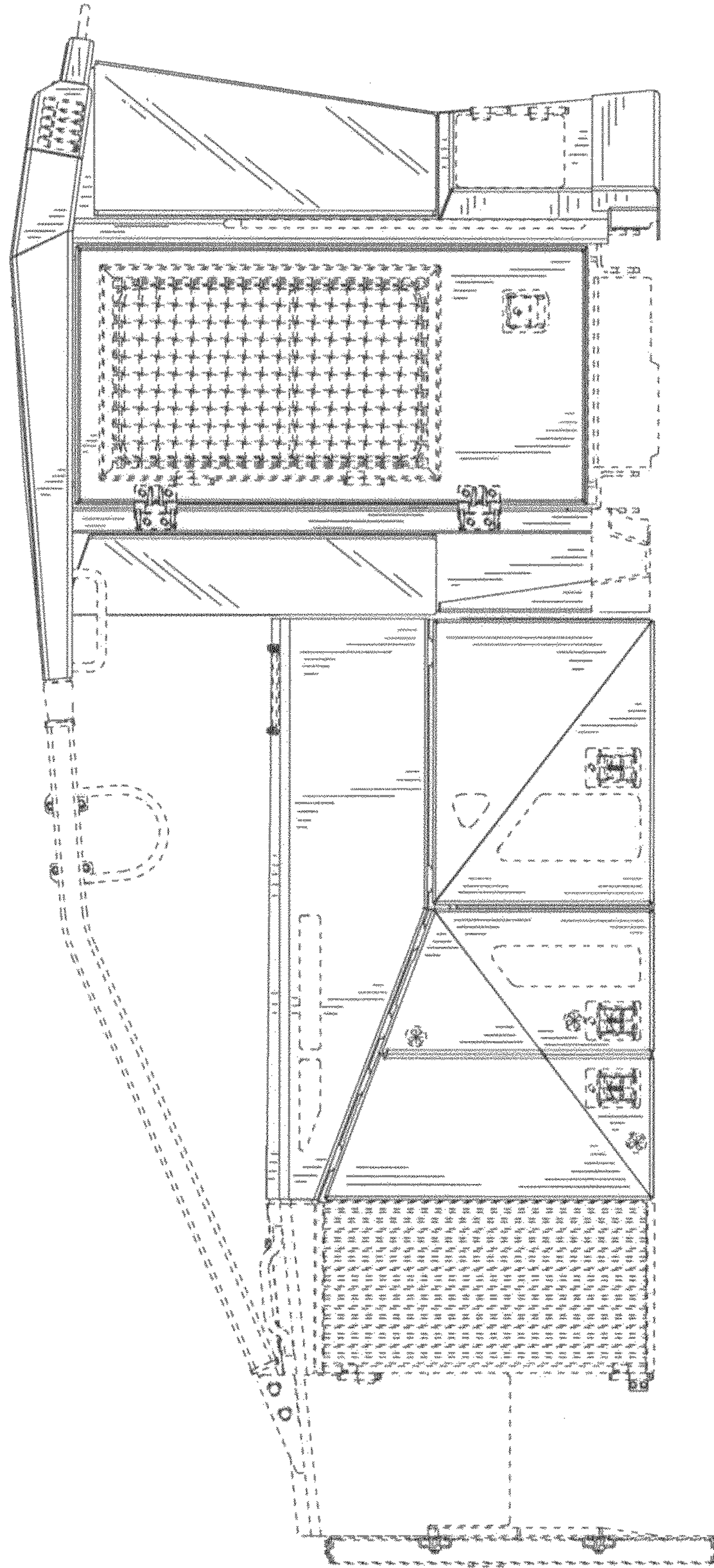


FIG. 3

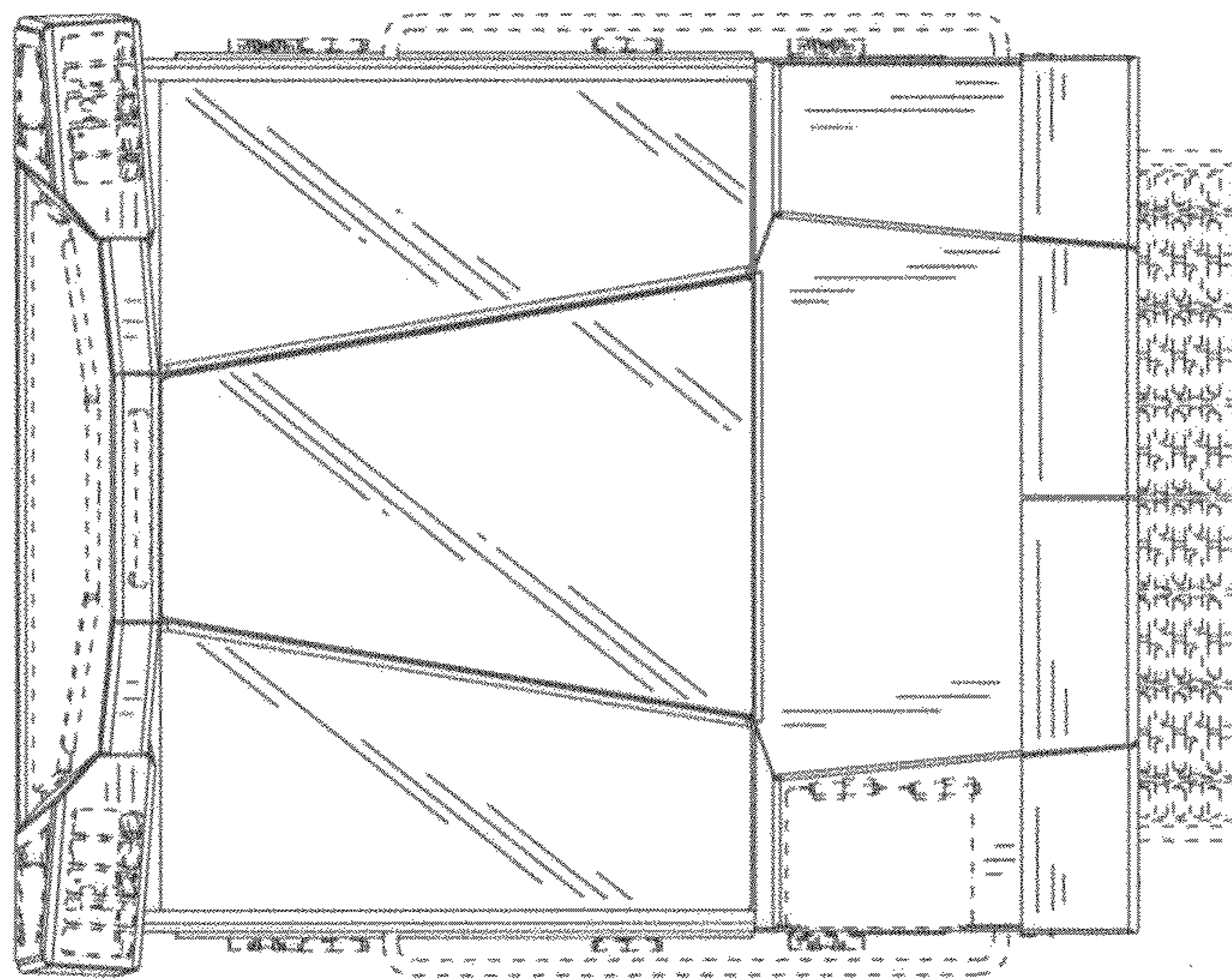


FIG. 5

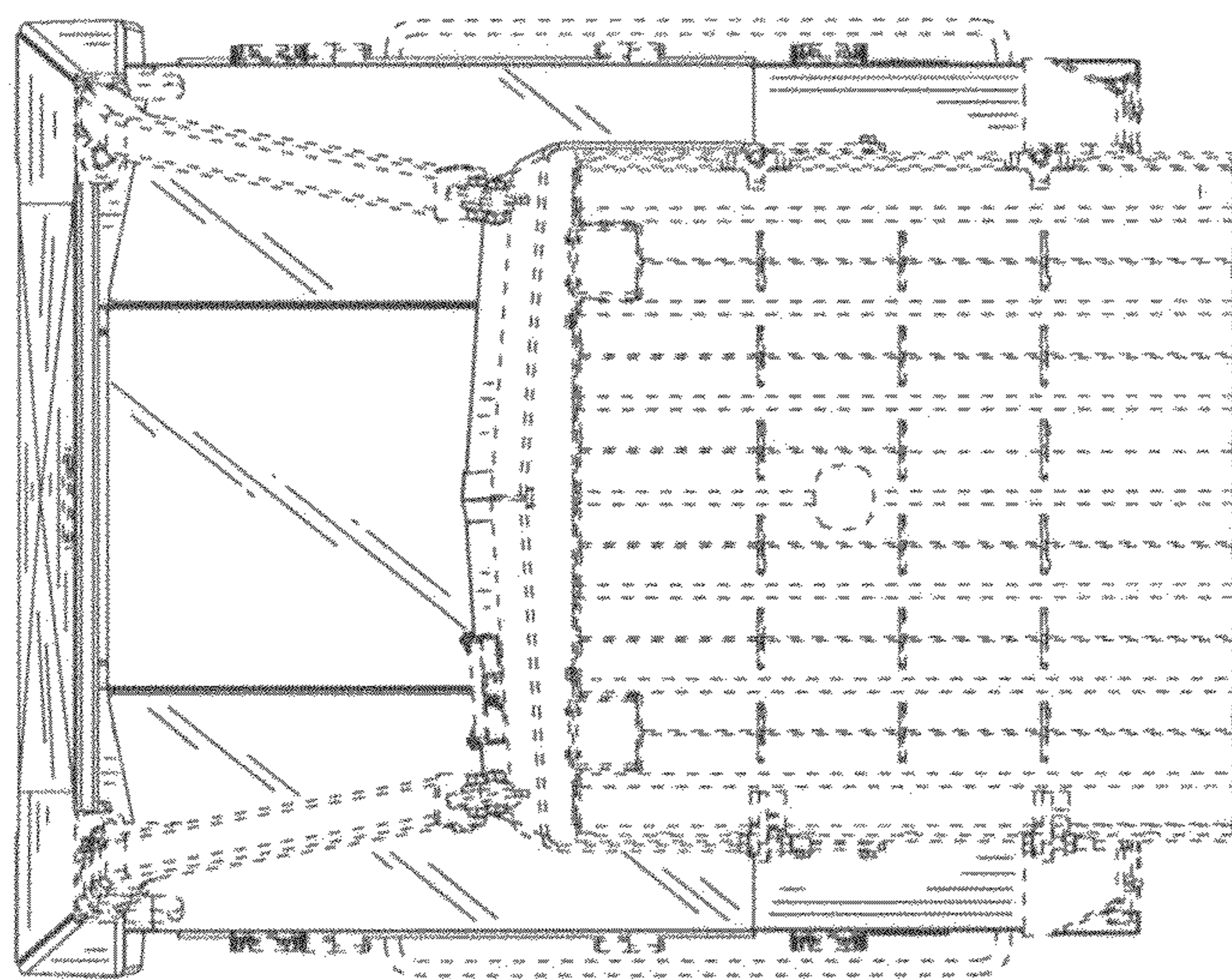


FIG. 4

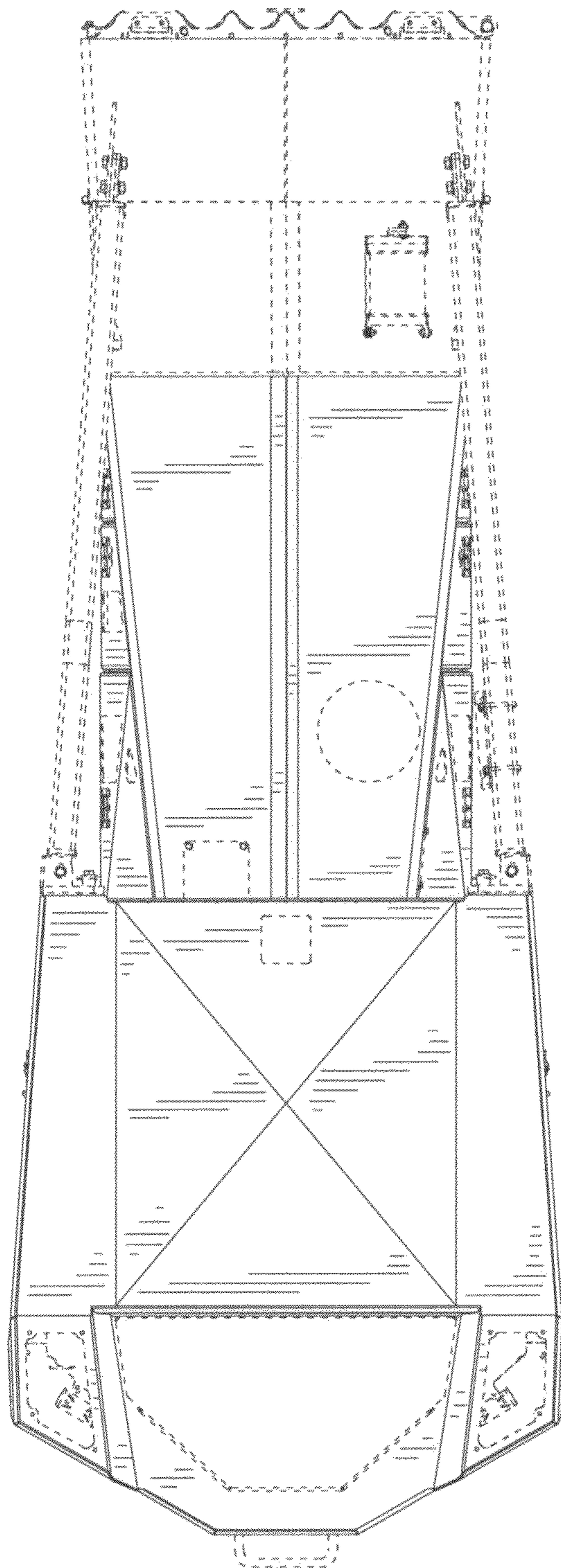
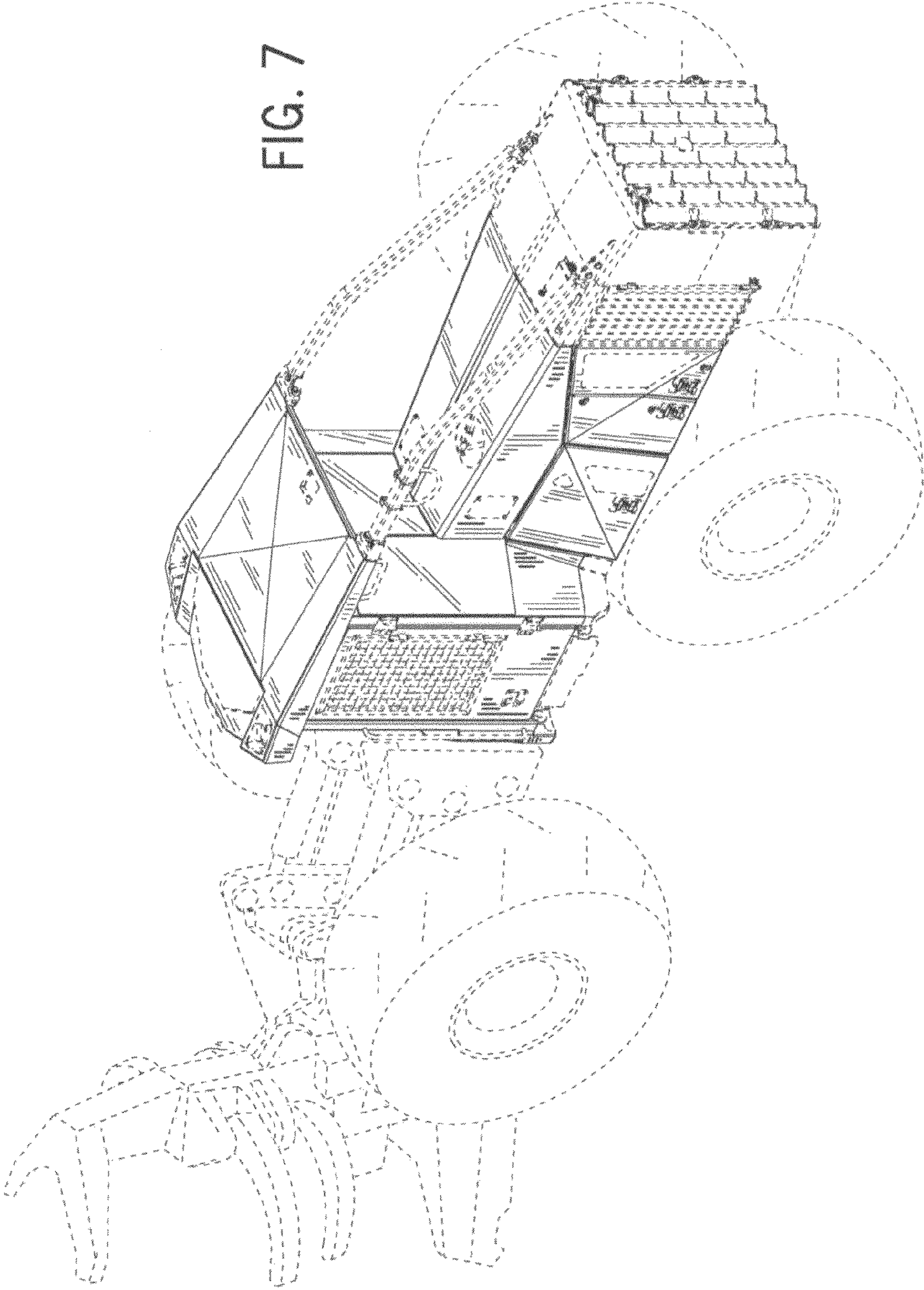


FIG. 6

FIG. 7





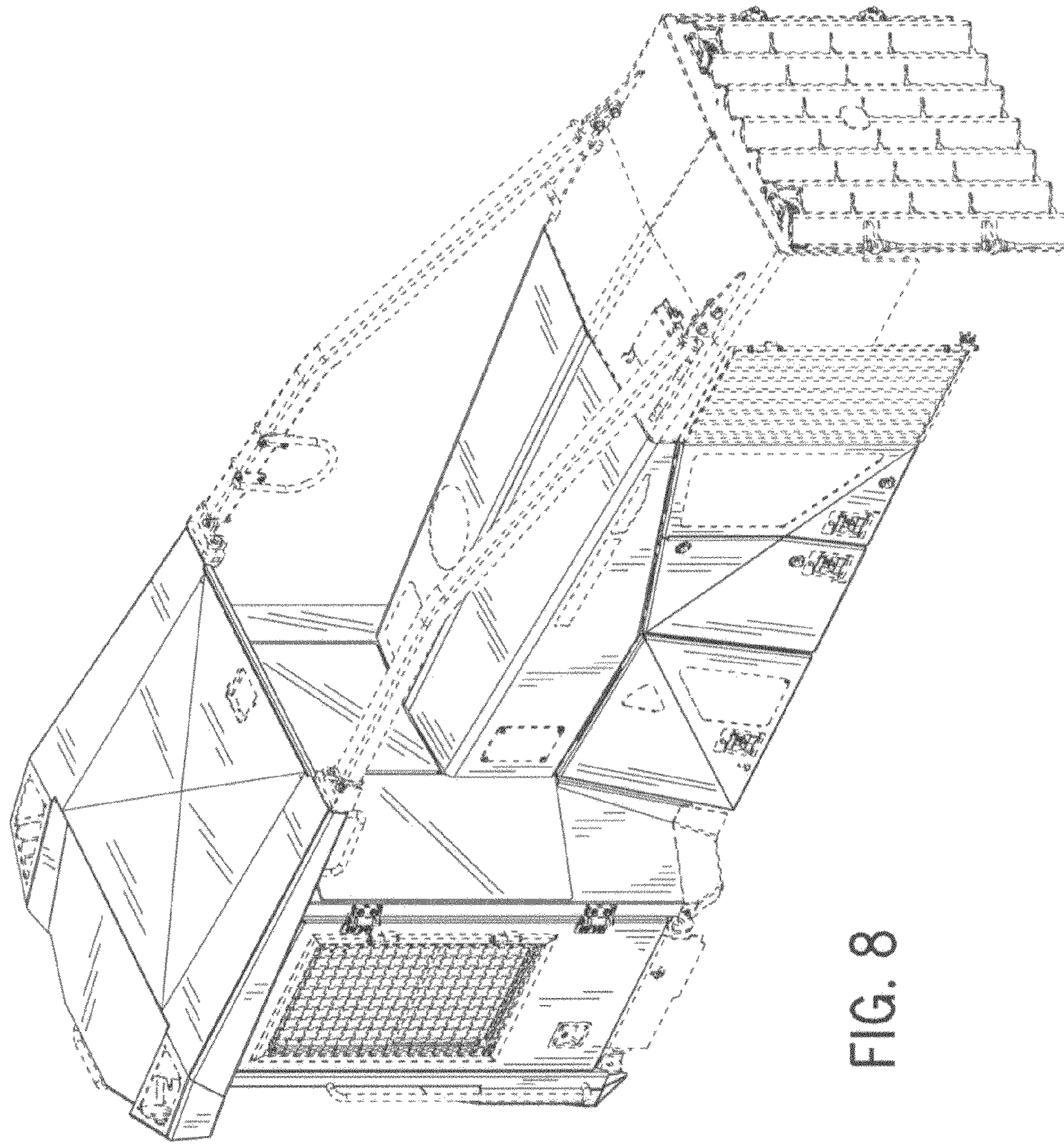


FIG. 8

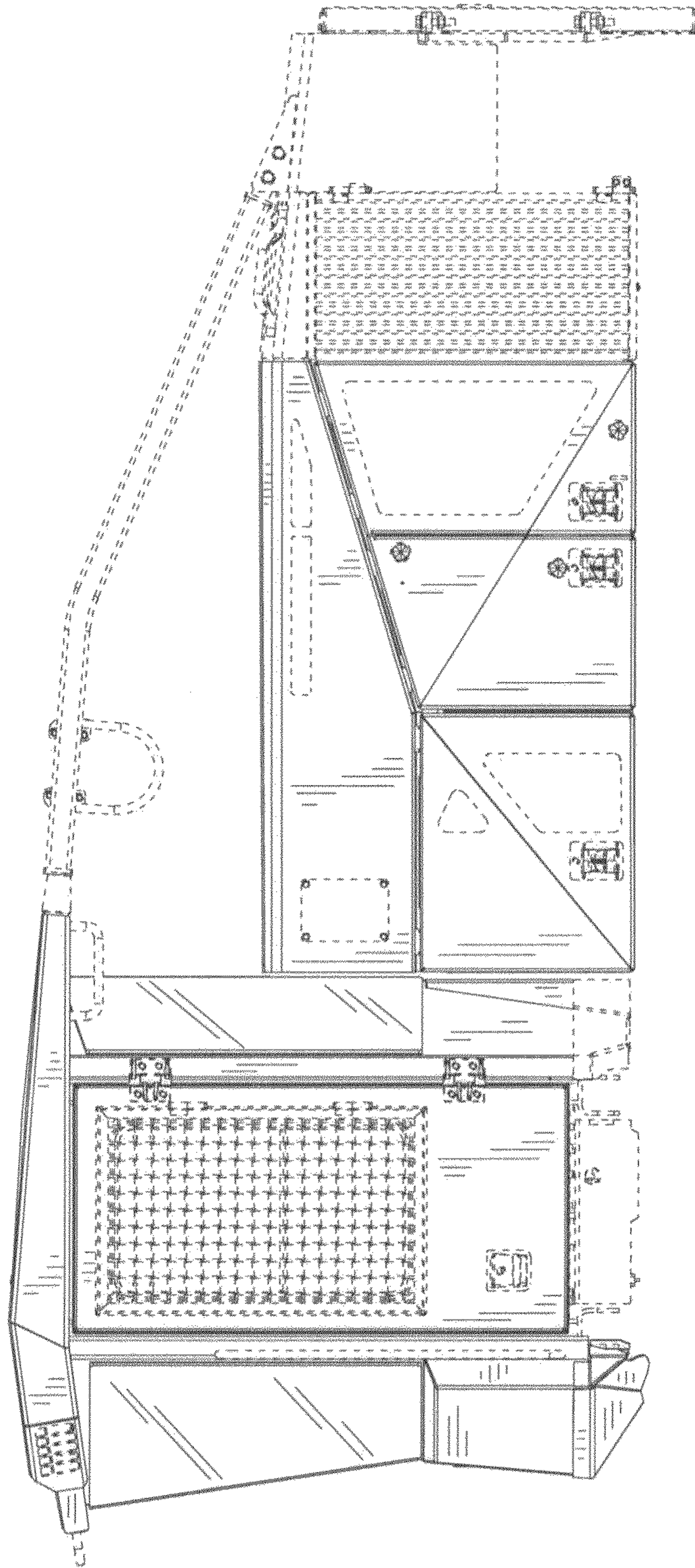


FIG. 9

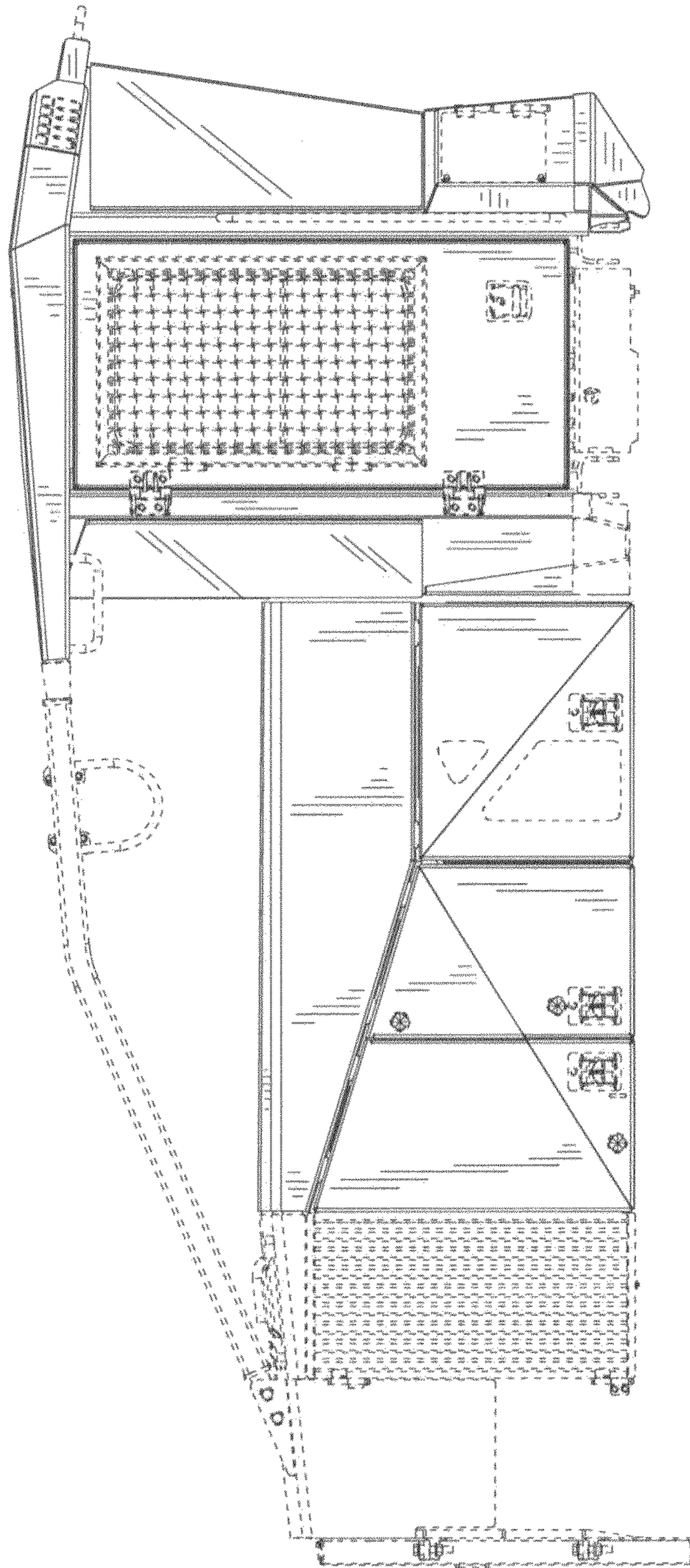


FIG. 10

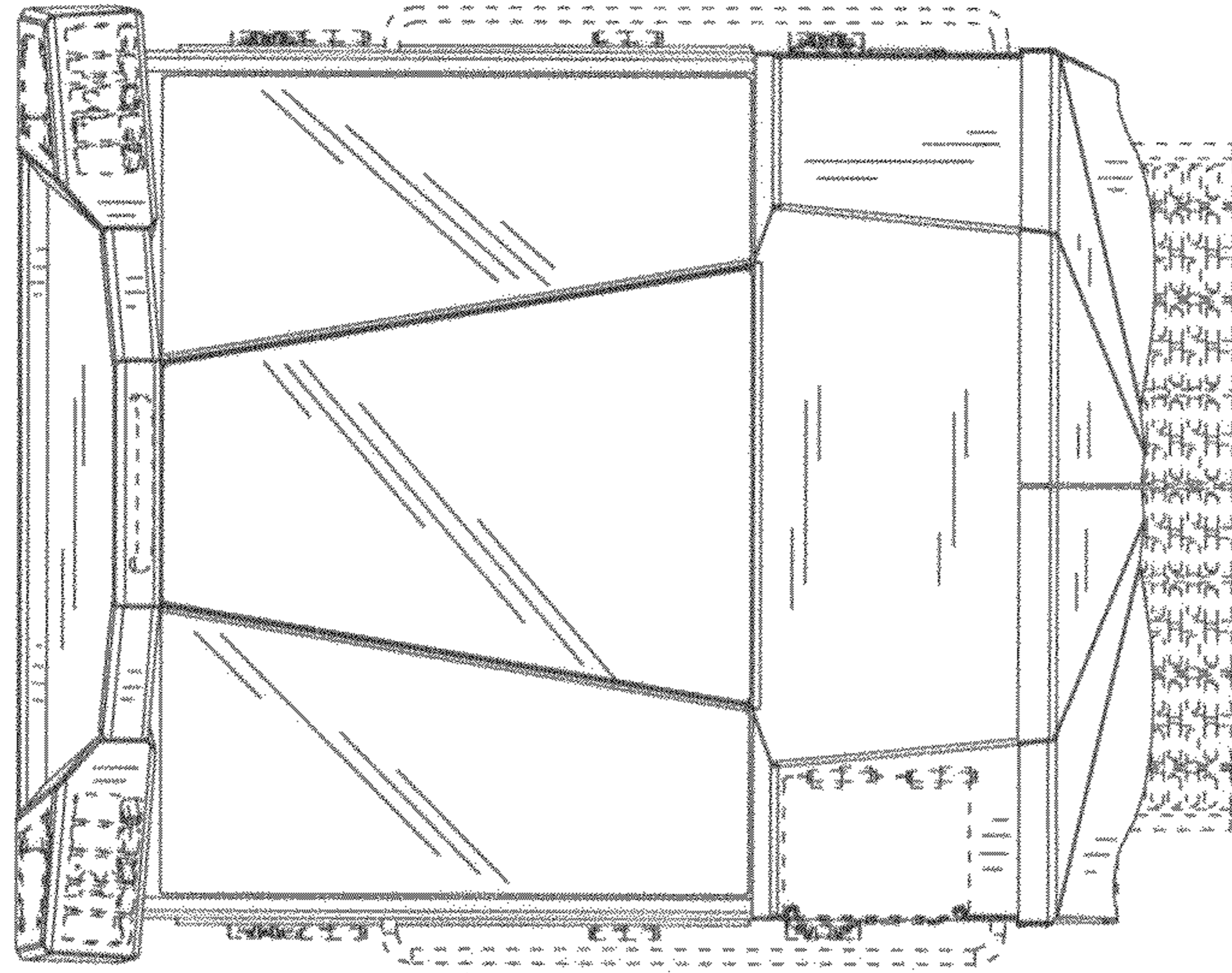


FIG. 11

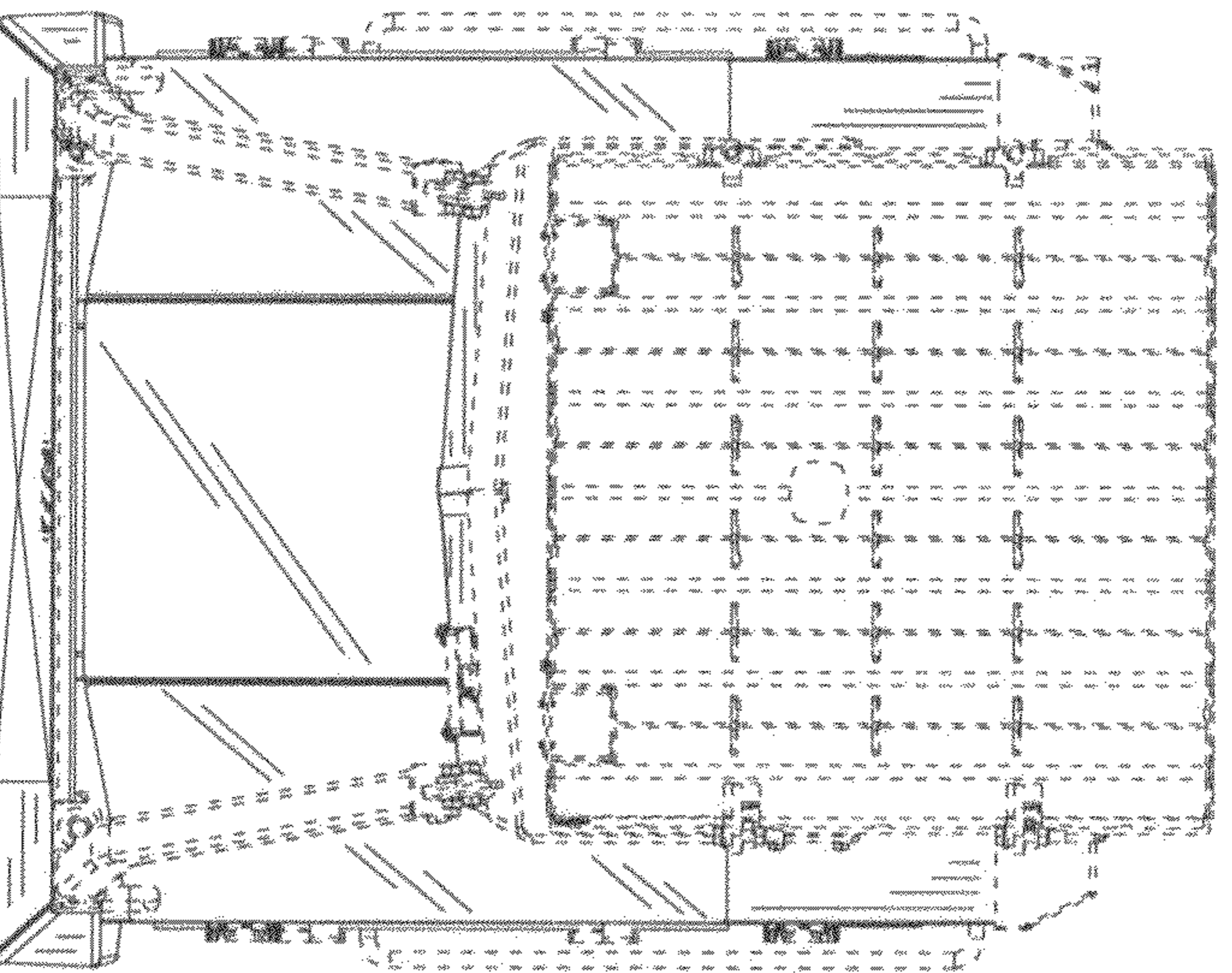


FIG. 12

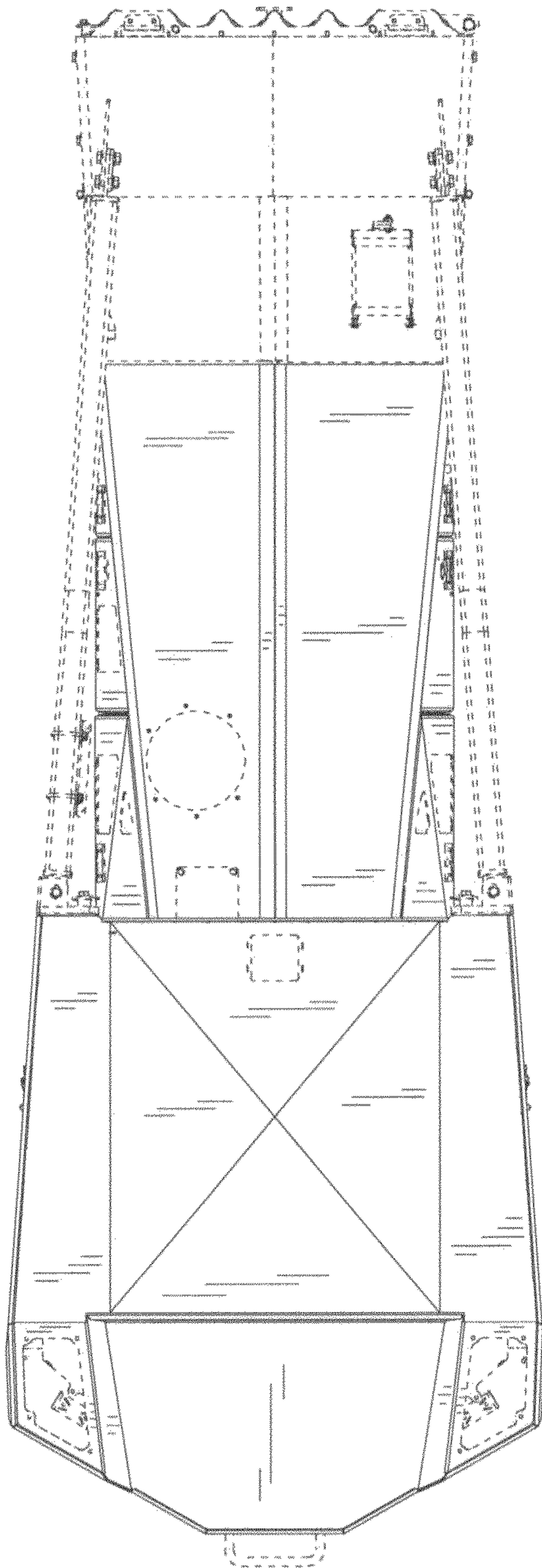


FIG. 13

FIG. 14

