



US00D735245S

(12) **United States Design Patent**  
**Bergman et al.**

(10) **Patent No.:** **US D735,245 S**

(45) **Date of Patent:** **\*\* \*Jul. 28, 2015**

(54) **CRUSHER FEED HOPPER HATCH ASSEMBLY**

*Primary Examiner* — Mark Goodwin

(74) *Attorney, Agent, or Firm* — Corinne R. Gorski

(71) Applicant: **SANDVIK INTELLECTUAL PROPERTY AB**, Sandviken (SE)

(72) Inventors: **Axel Bergman**, Malmö (SE); **Bengt-Arne Eriksson**, Svedala (SE); **Fredrik Eriksson**, Malmö (SE); **Mikael Larsson**, Eslöv (SE); **Patric Malmqvist**, Svedala (SE)

(57) **CLAIM**

The ornamental design for a crusher feed hopper hatch assembly, as shown and described.

(73) Assignee: **SANDVIK MINING AND CONSTRUCTION OY**, Tampere (FI)

**DESCRIPTION**

(\*) Notice: This patent is subject to a terminal disclaimer.

(\*\*) Term: **14 Years**

FIG. 1 is a perspective view of a crusher feed hopper hatch assembly showing our new design in assembled condition; FIG. 2 is a front view thereof; FIG. 3 is a rear view thereof; FIG. 4 is a side view thereof; FIG. 5 is an opposite side view thereof; FIG. 6 is a top view thereof; FIG. 7 is a bottom view thereof; FIG. 8 is a perspective view of the door portion with hinges of a crusher feed hopper hatch assembly shown separate for ease of illustration; FIG. 9 is a front view thereof; FIG. 10 is a rear view thereof; FIG. 11 is a side view thereof; FIG. 12 is an opposite side view thereof; FIG. 13 is a top view thereof; FIG. 14 is a bottom view thereof; FIG. 15 is a perspective view of the frame portion of a crusher feed hopper hatch assembly shown separate for ease of illustration; FIG. 16 is a front view thereof; FIG. 17 is a rear view thereof; FIG. 18 is a side view thereof; FIG. 19 is an opposite side view thereof; FIG. 20 is a top view thereof; and, FIG. 21 is a bottom view thereof.

(21) Appl. No.: **29/446,970**

(22) Filed: **Feb. 28, 2013**

(30) **Foreign Application Priority Data**

Aug. 28, 2012 (EM) ..... 001341606-0001  
Aug. 28, 2012 (EM) ..... 001341606-0002  
Aug. 28, 2012 (EM) ..... 001341606-0003

(51) **LOC (10) Cl.** ..... **15-03**

(52) **U.S. Cl.**  
USPC ..... **D15/28**

(58) **Field of Classification Search**  
USPC ..... D15/10, 21, 28, 123, 126, 122, 138, D15/147, 199; 180/89.1, 89.12, 89.13; 220/345.1, 361; 241/36, 100, 287  
See application file for complete search history.

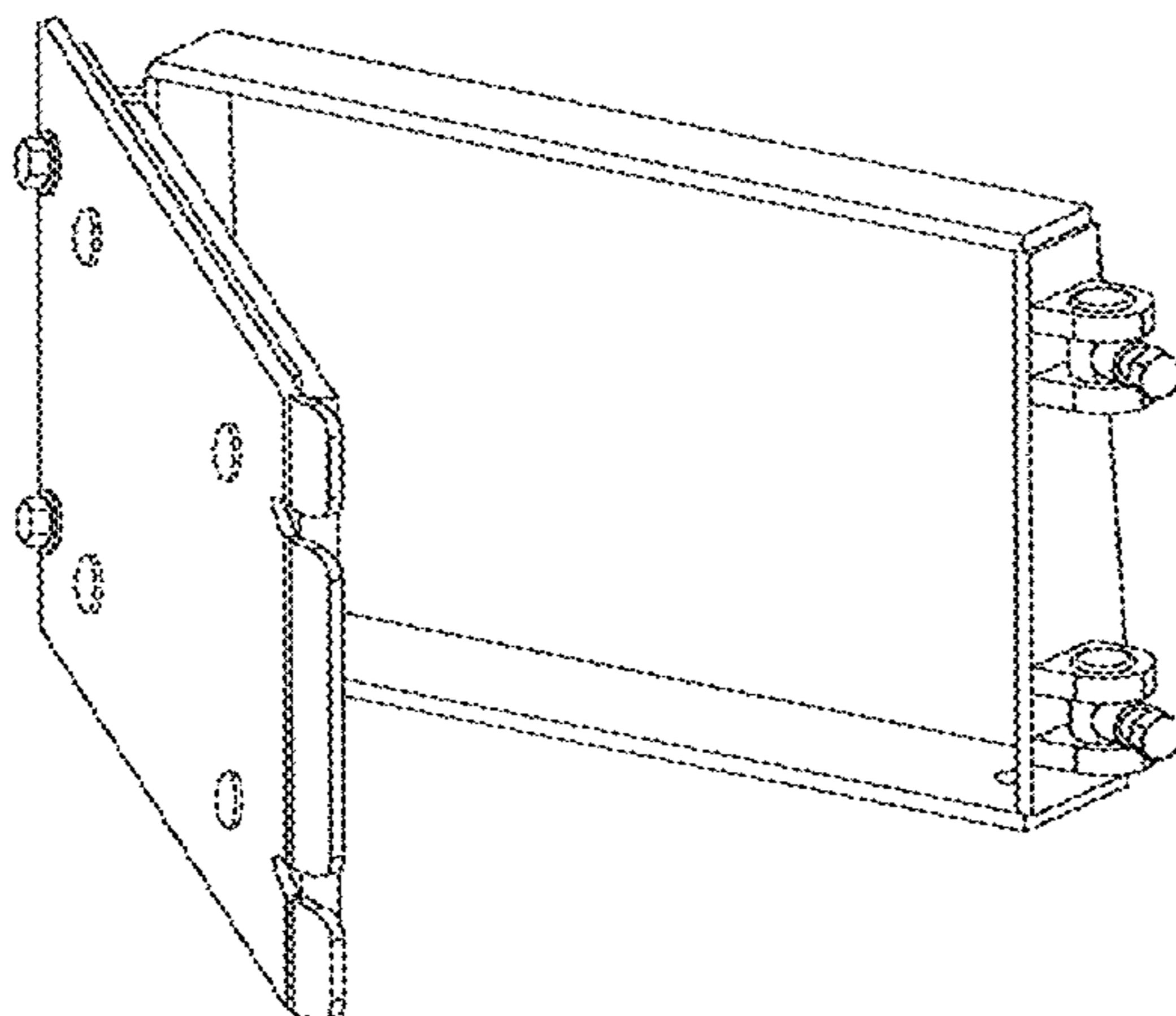
(56) **References Cited**

**U.S. PATENT DOCUMENTS**

3,594,847 A \* 7/1971 Rollins ..... 15/309.2  
D413,339 S \* 8/1999 Wales, Jr. .... D15/123  
D479,249 S \* 9/2003 Jones et al. .... D15/123  
D491,586 S \* 6/2004 Dallimore et al. .... D15/123  
D509,517 S \* 9/2005 Quantz et al. .... D15/123

(Continued)

**1 Claim, 21 Drawing Sheets**



# US D735,245 S

Page 2

---

(56)

## References Cited

### U.S. PATENT DOCUMENTS

7,350,725 B2 *	4/2008	Dallimore et al. ....	241/5	2009/0145905 A1 *	6/2009	Kim .....	220/345.1
2006/0011761 A1 *	1/2006	Dallimore et al. ....	241/275	2010/0017021 A1 *	1/2010	Wietgreffe .....	700/232
				2012/0205400 A1 *	8/2012	Degaray et al. ....	222/192

\* cited by examiner

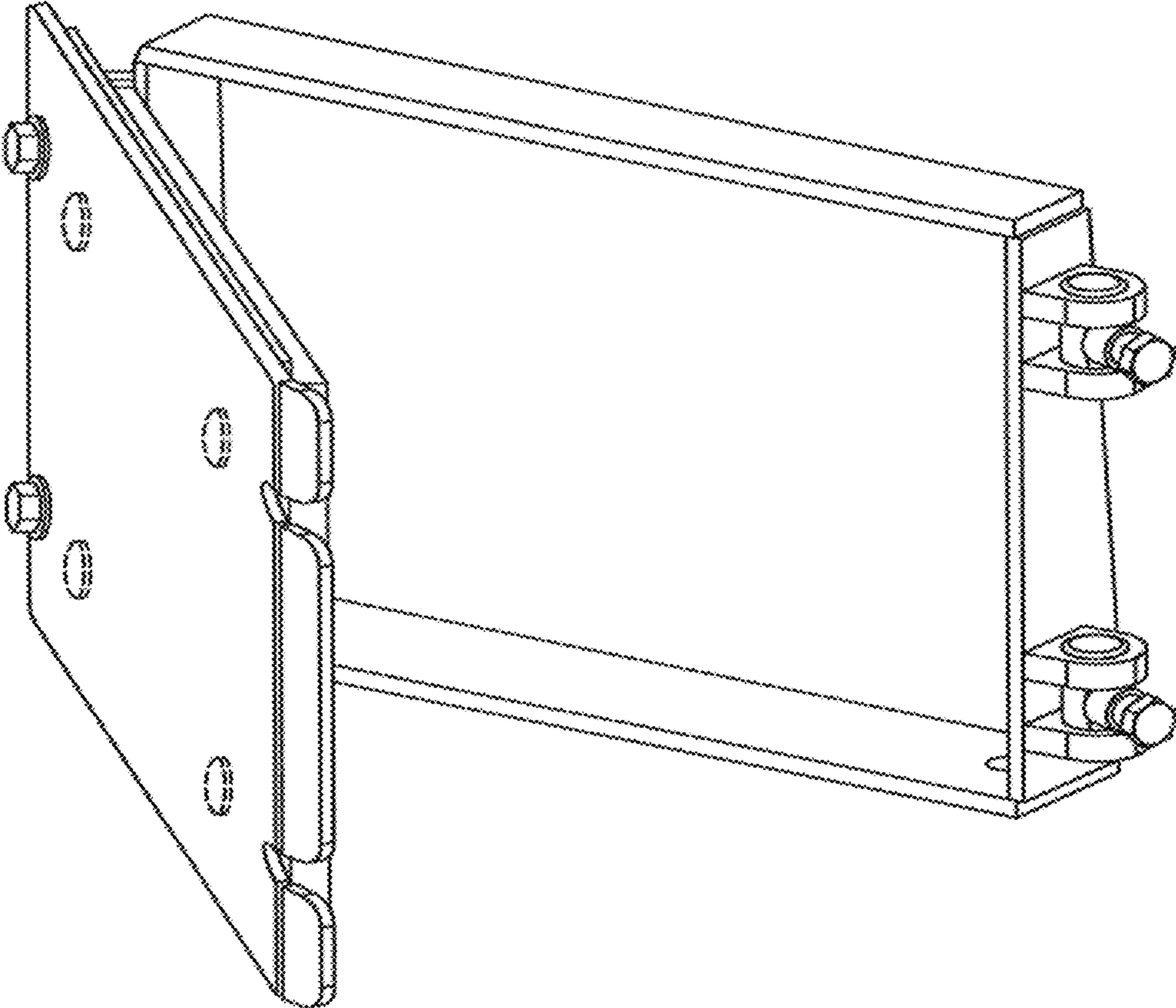


Fig. 1

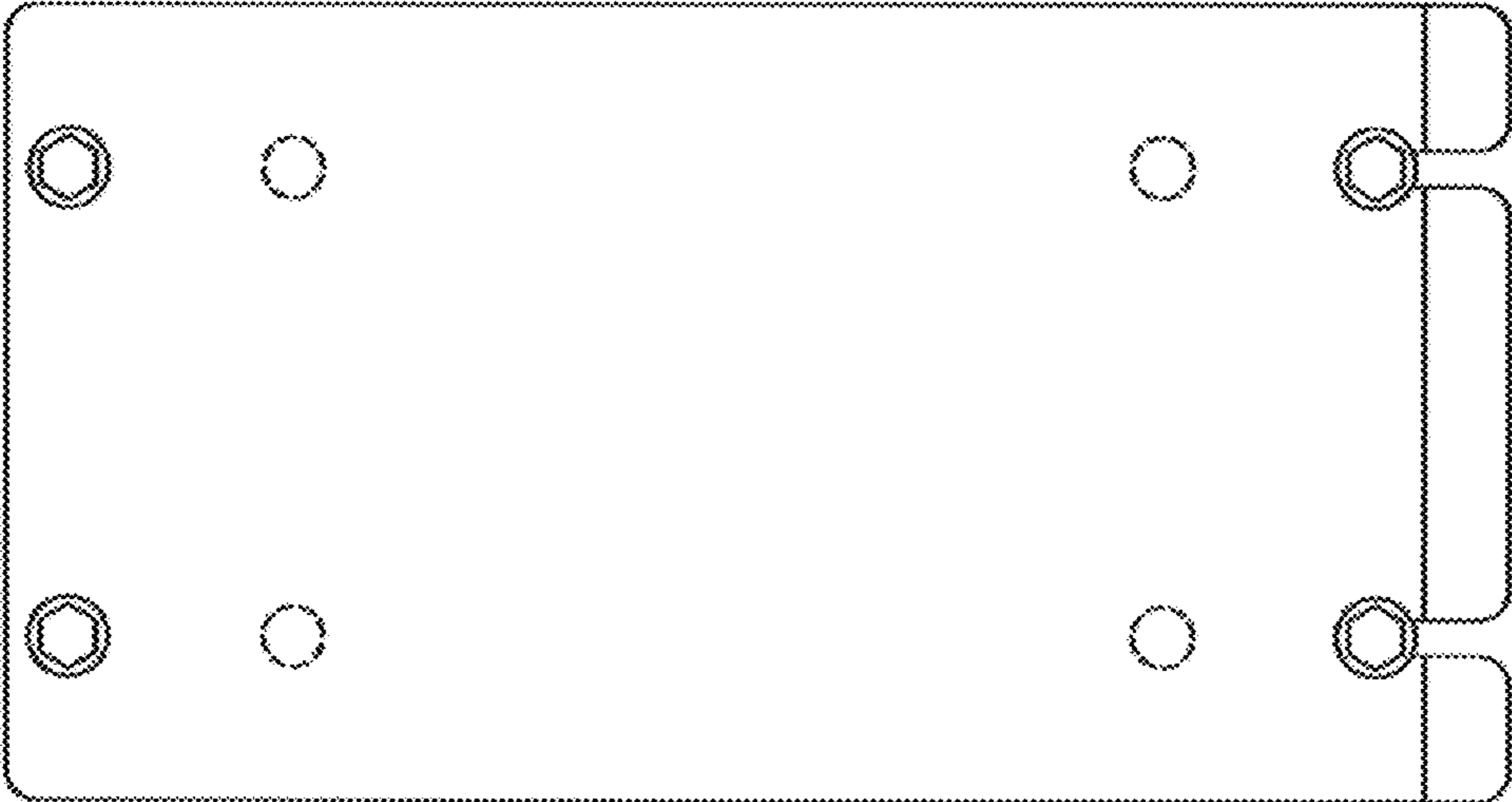


Fig. 2

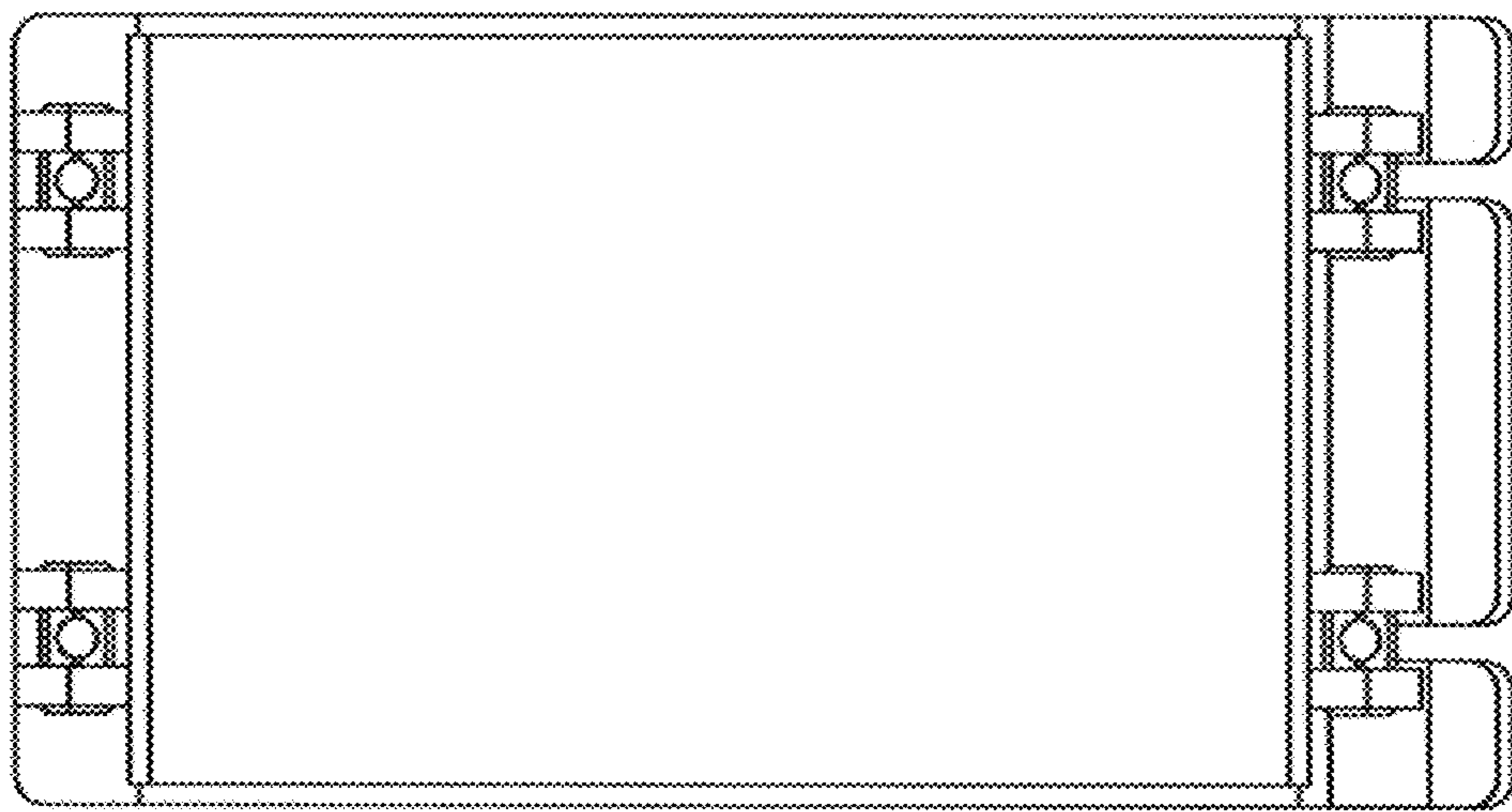


Fig. 3

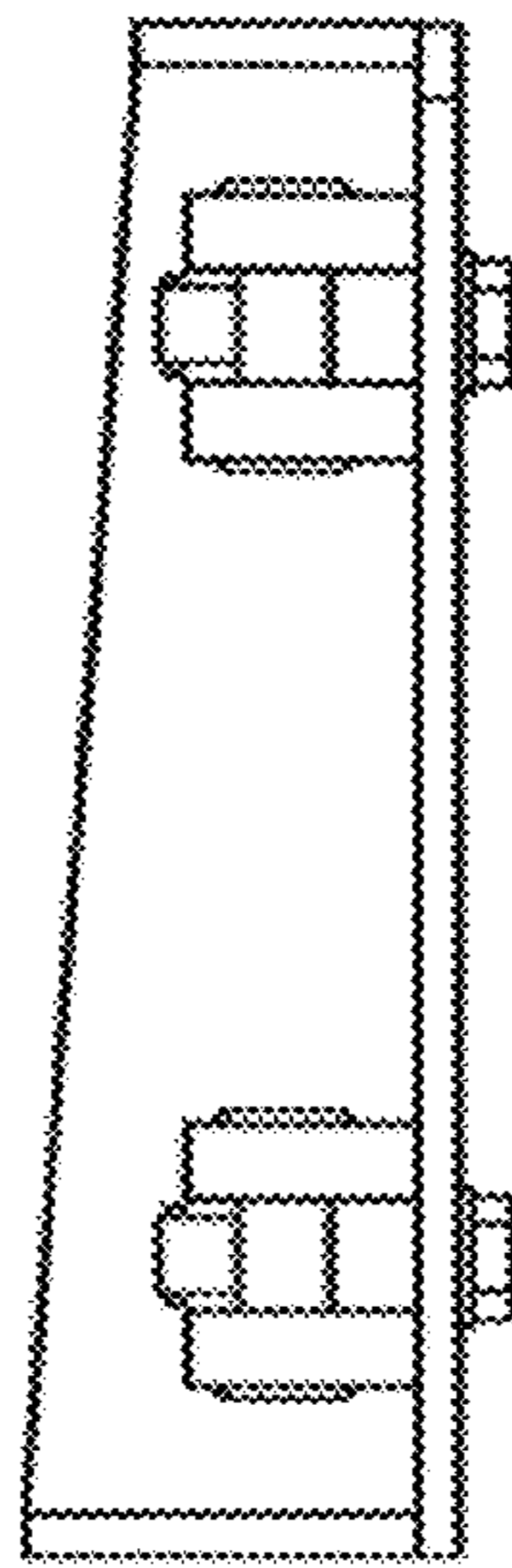


Fig. 4

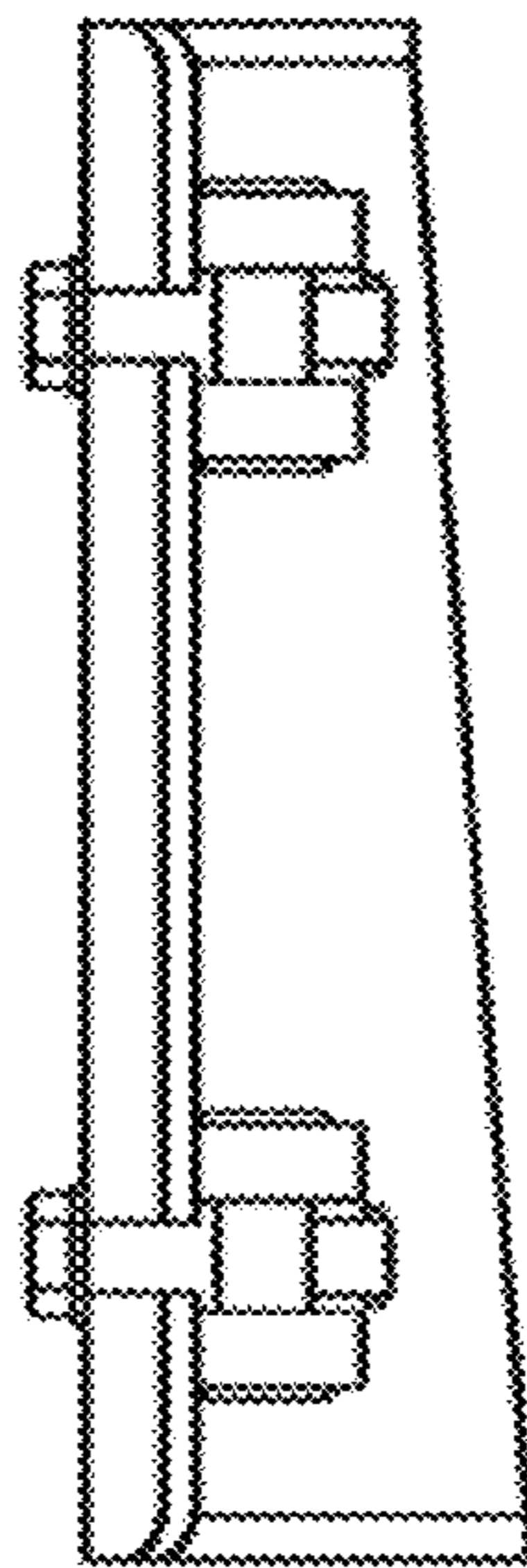


Fig. 5

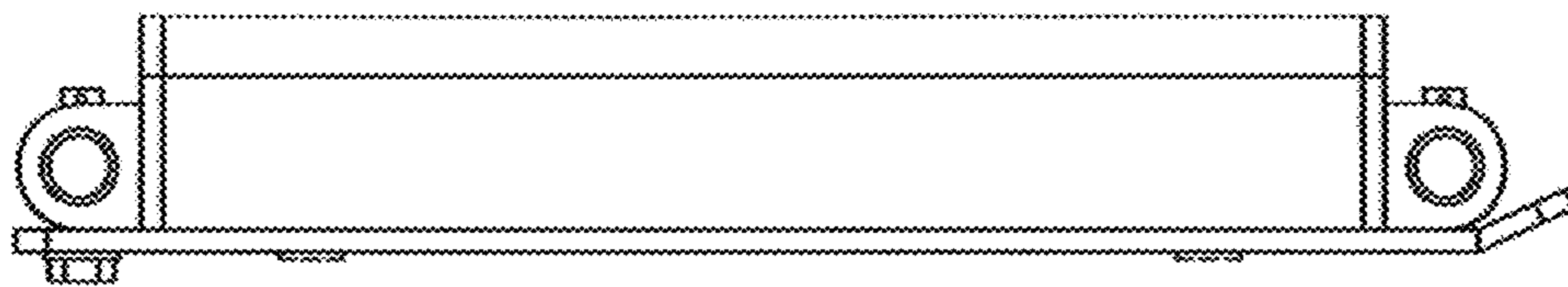


Fig. 6



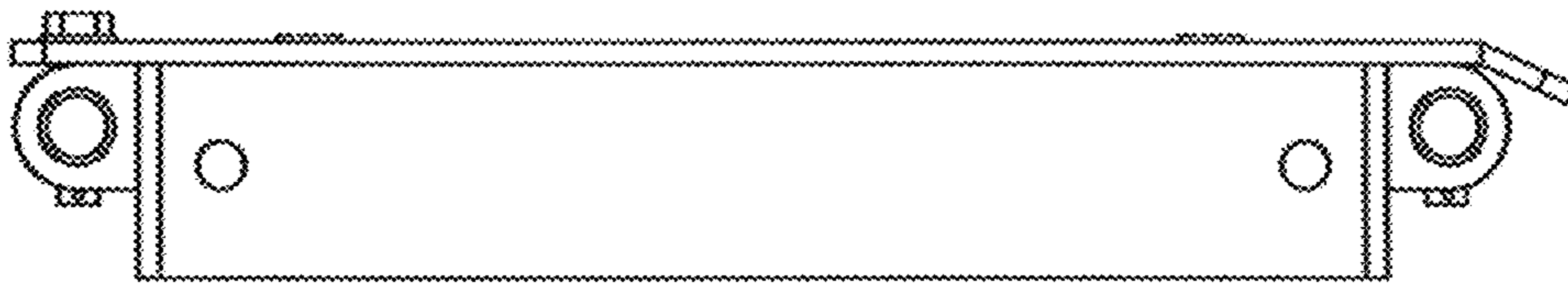


Fig. 7

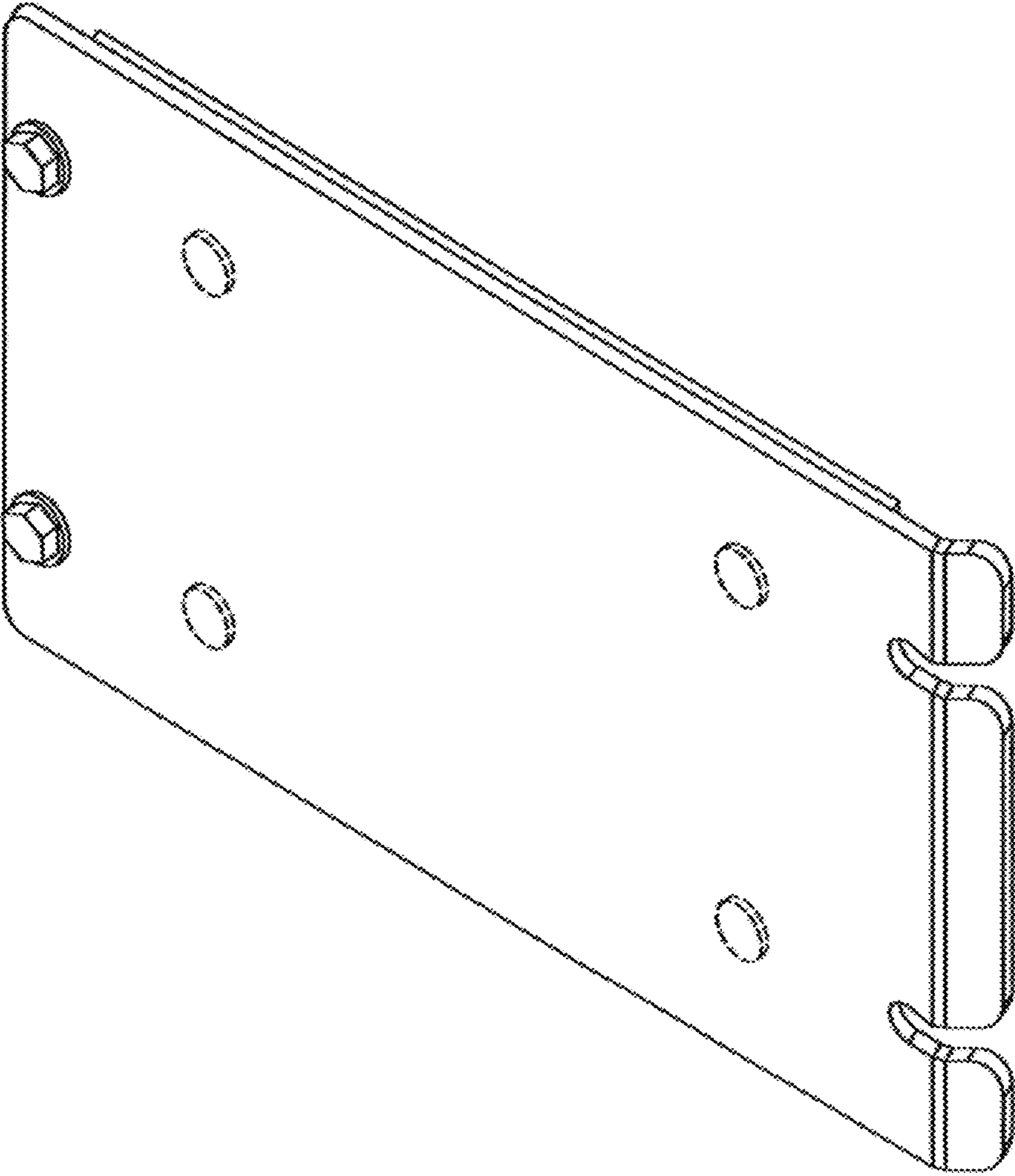


Fig. 8

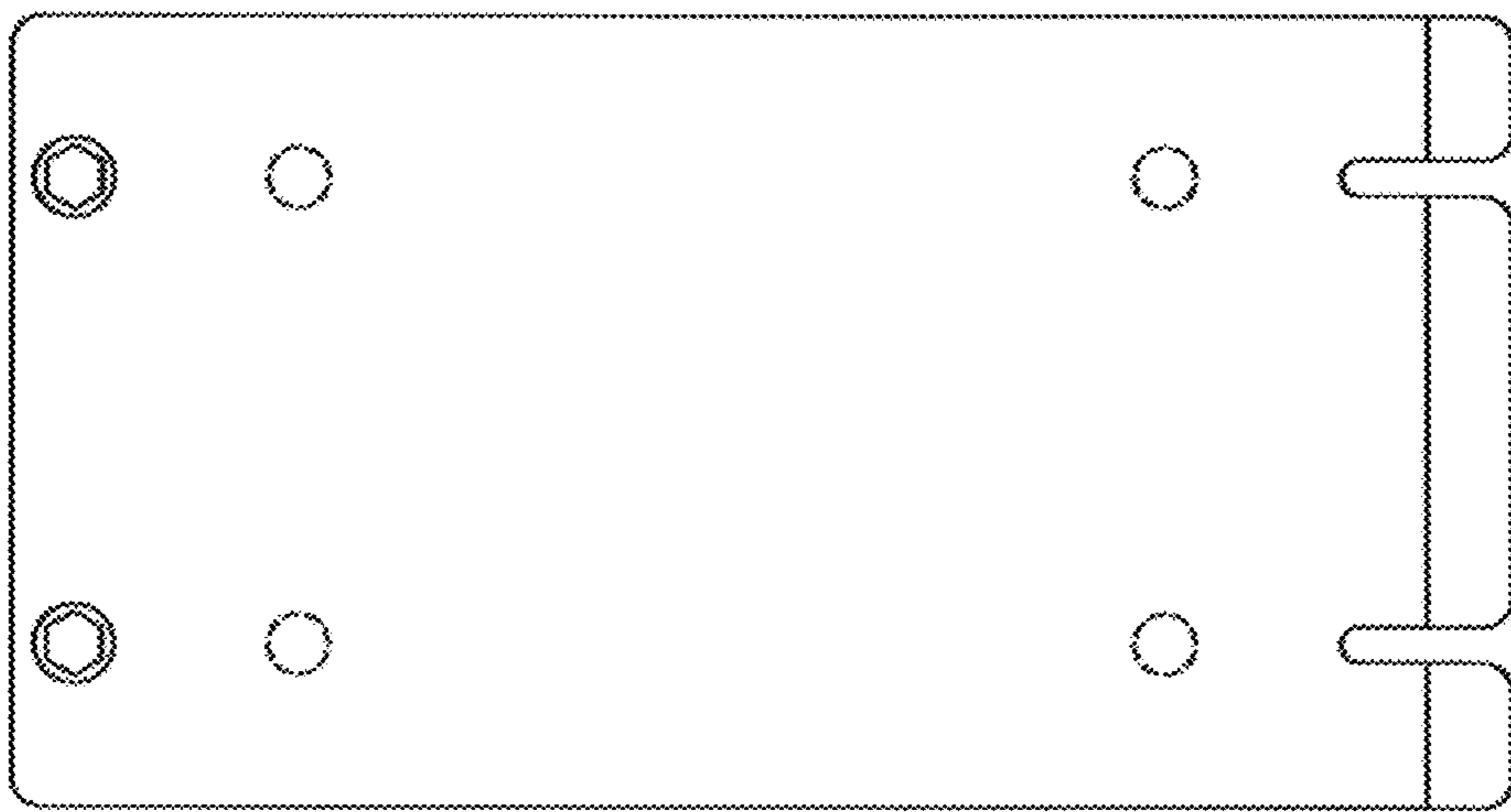


Fig. 9

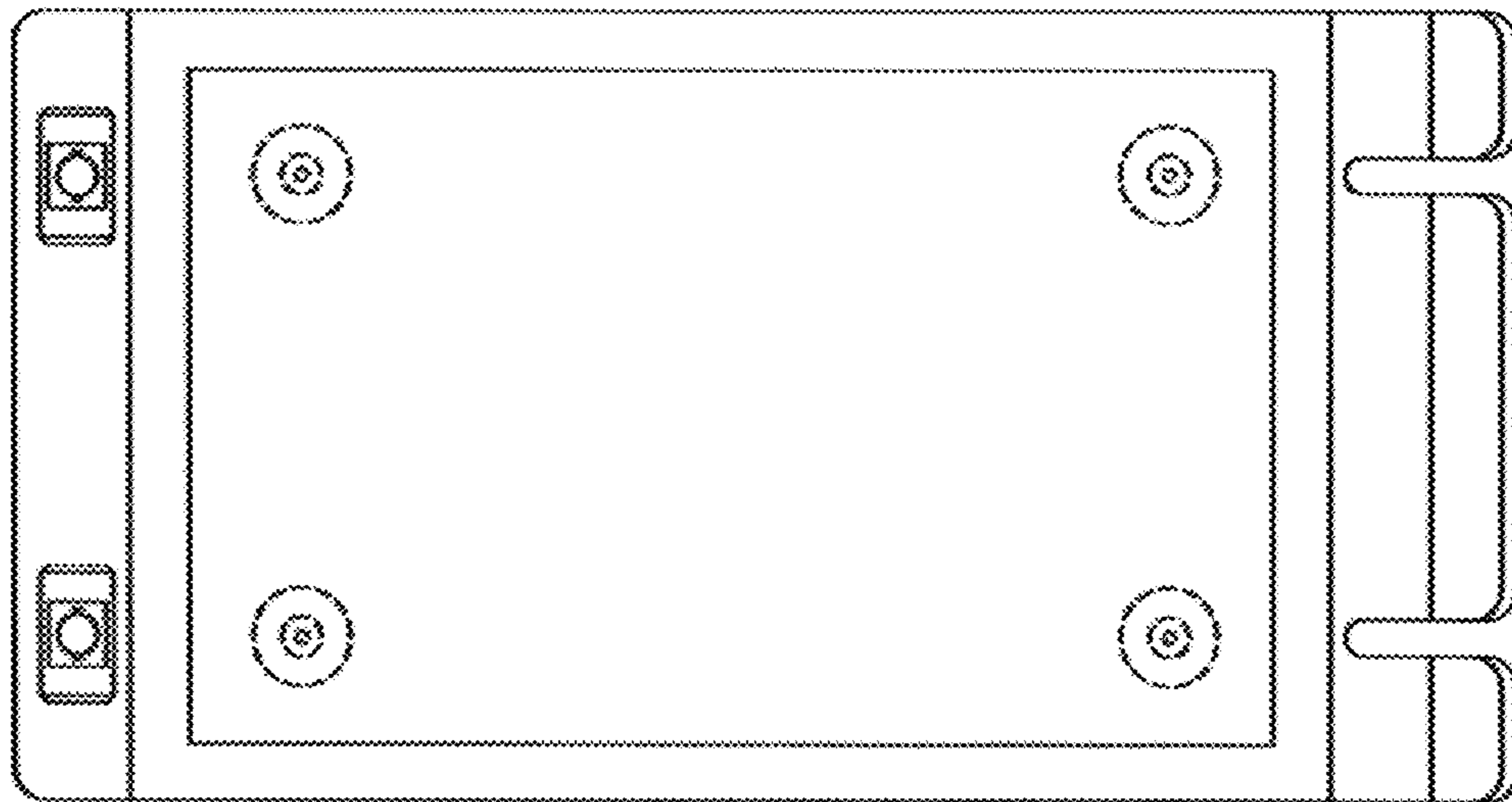


Fig. 10

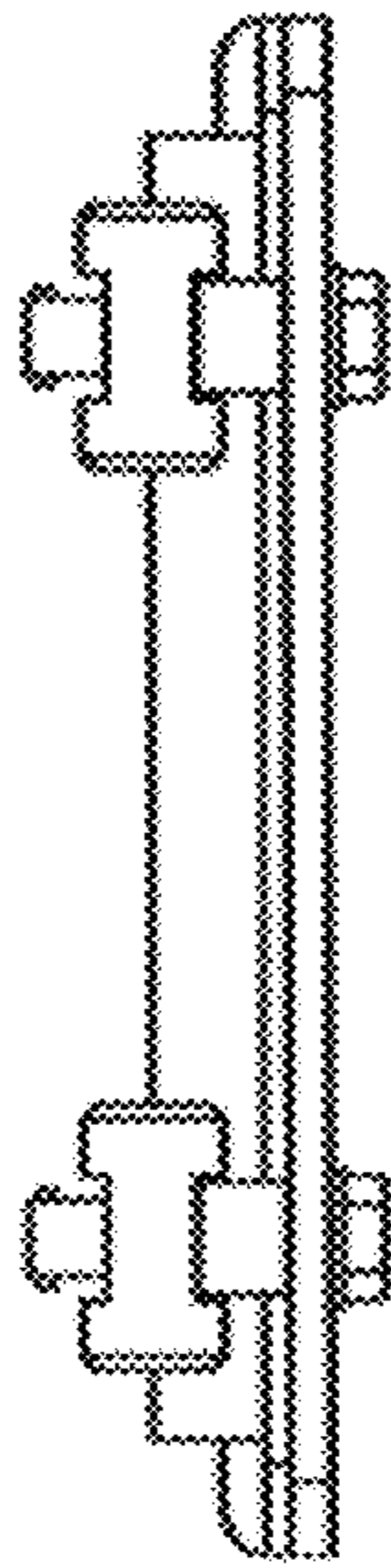


Fig. 11

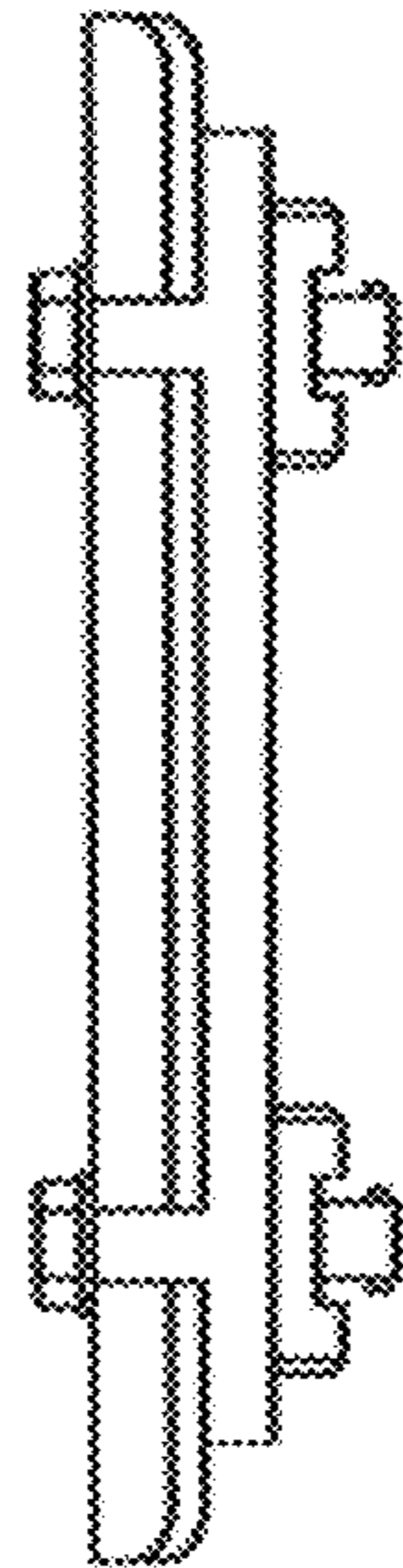


Fig. 12

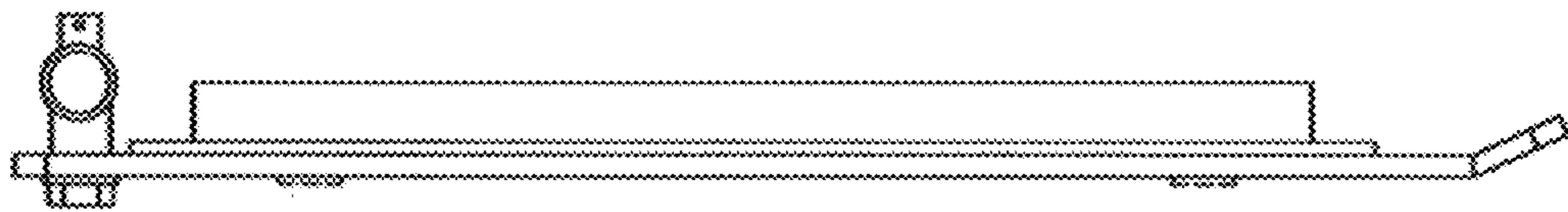


Fig. 13

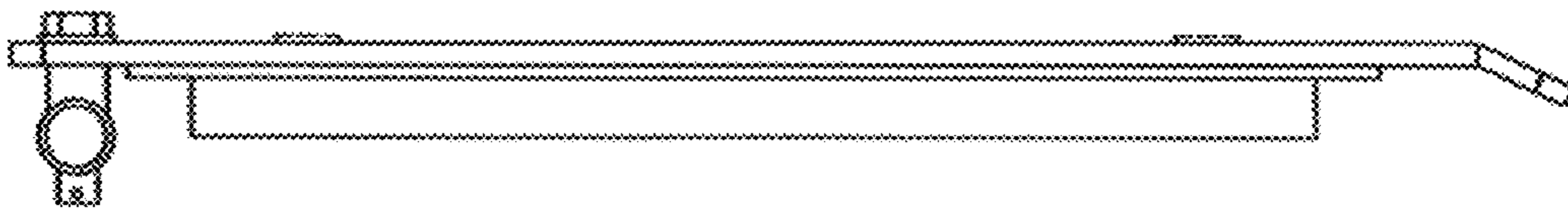


Fig. 14



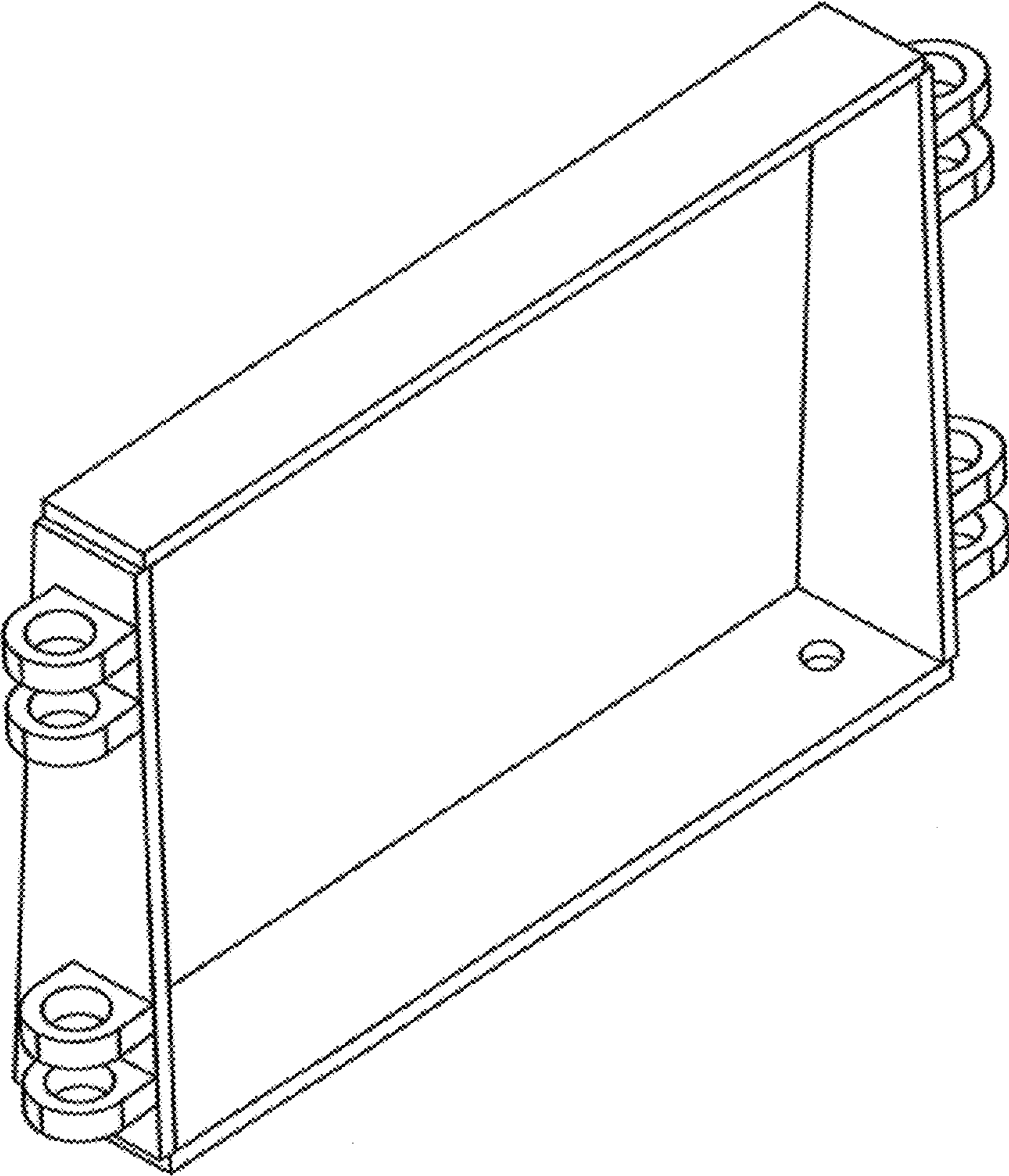


Fig. 15

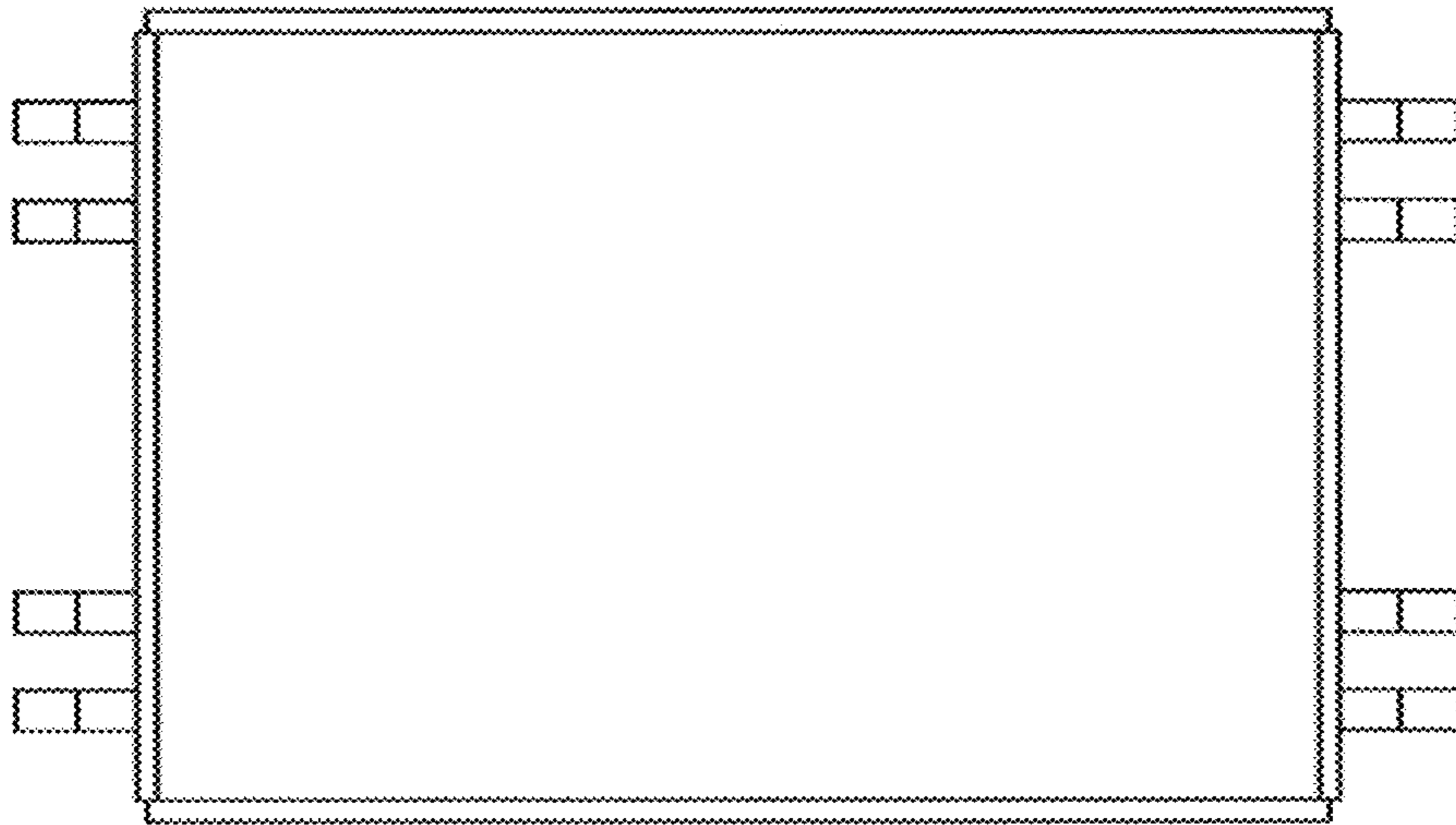


Fig. 16

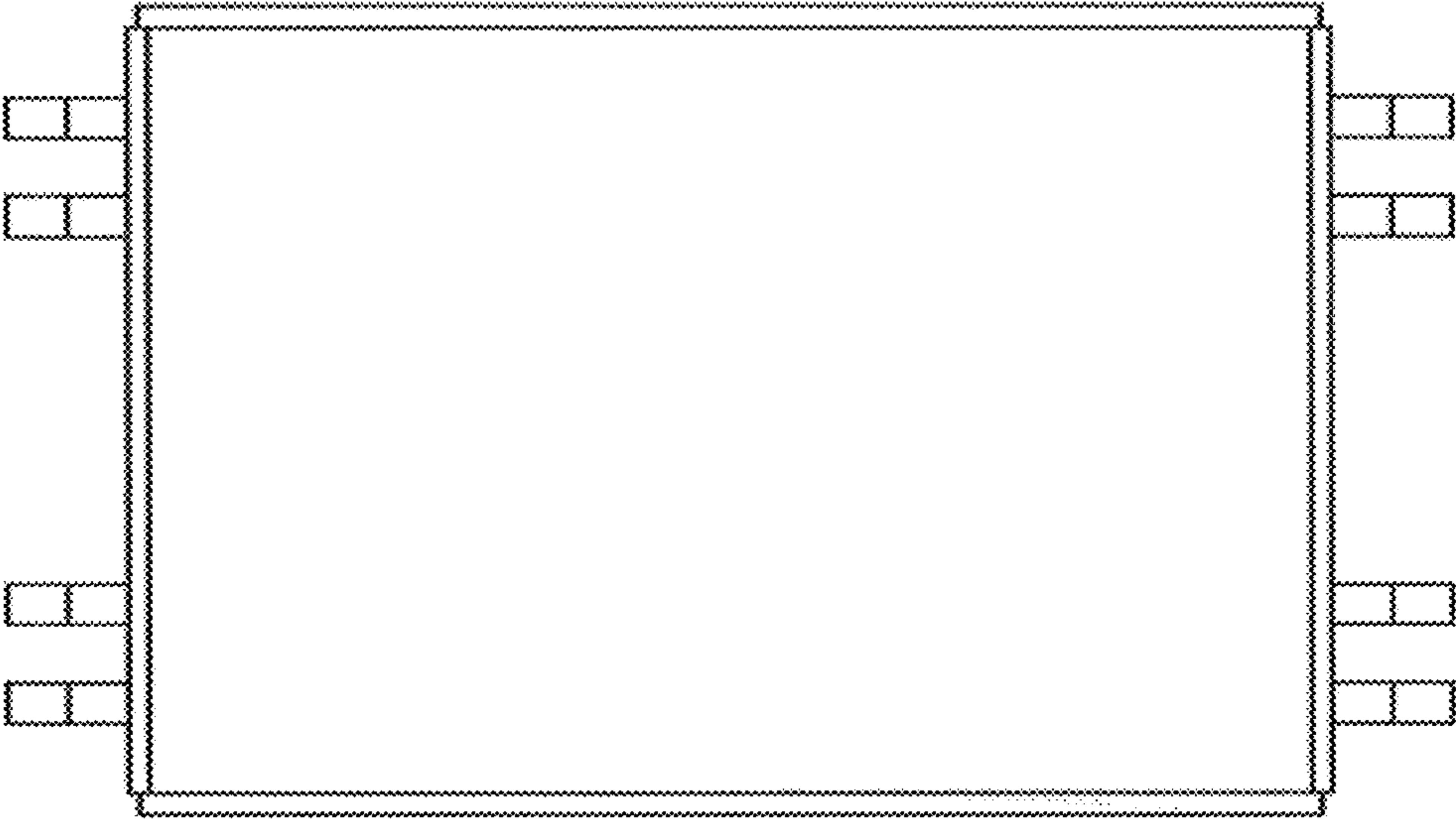


Fig. 17



Fig. 18

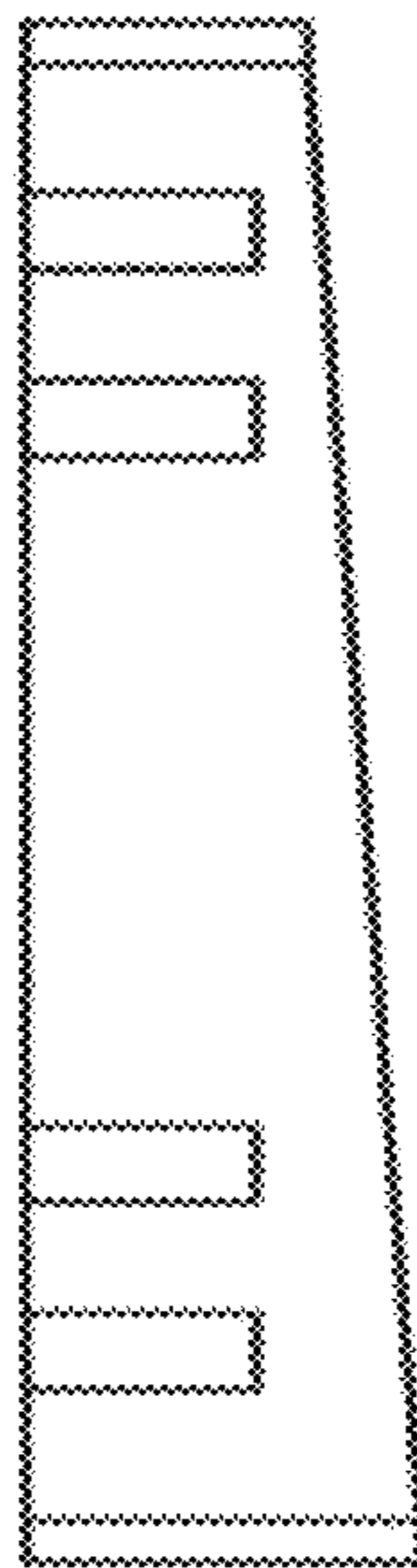


Fig. 19

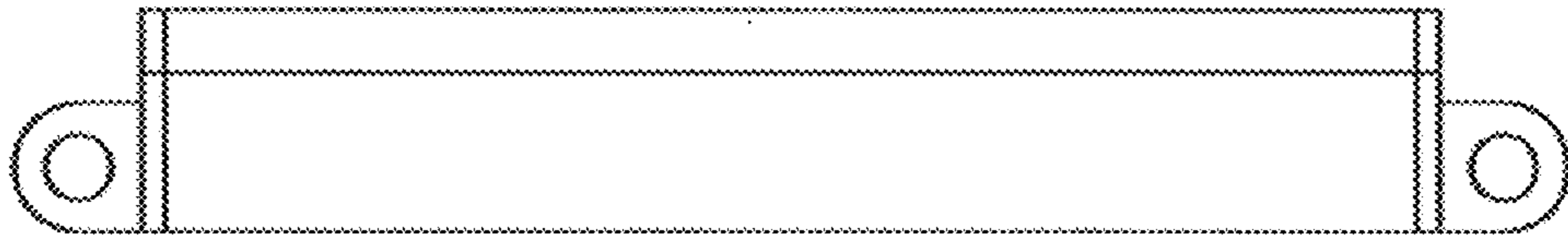


Fig. 20



Fig. 21