



US00D735242S

(12) **United States Design Patent**  
**Chu**

(10) **Patent No.:** **US D735,242 S**

(45) **Date of Patent:** **\*\* Jul. 28, 2015**

(54) **CAP FOR AIR COMPRESSOR**

(71) Applicant: **Henry C. Chu**, Orange, CA (US)

(72) Inventor: **Henry C. Chu**, Orange, CA (US)

(\*\*) Term: **14 Years**

(21) Appl. No.: **29/433,670**

(22) Filed: **Oct. 3, 2012**

(51) **LOC (10) Cl.** ..... **15-02**

(52) **U.S. Cl.**  
USPC ..... **D15/9**

(58) **Field of Classification Search**

USPC ..... D15/7-9; D23/231, 232, 225; 417/60,  
417/235, 265, 321, 355, 358, 363, 359,  
417/410.1, 415, 416, 405, 900; 60/408,  
60/412; 184/26-37; 415/140-147;  
123/495, 509

See application file for complete search history.

(56) **References Cited**

**U.S. PATENT DOCUMENTS**

D507,280 S *	7/2005	Chu et al.	.....	D15/9
D556,783 S *	12/2007	Chu	.....	D15/9
D556,785 S *	12/2007	Chu	.....	D15/9
D556,786 S *	12/2007	Chu	.....	D15/9
D557,287 S *	12/2007	Chu	.....	D15/9
D575,306 S *	8/2008	Chu	.....	D15/9
D575,802 S *	8/2008	Chu	.....	D15/9
D589,064 S *	3/2009	Chu	.....	D15/9
D589,534 S *	3/2009	Chu	.....	D15/9
D603,873 S *	11/2009	Chu	.....	D15/9
D603,874 S *	11/2009	Chu	.....	D15/9

D647,925 S *	11/2011	Chu	.....	D15/9
D648,749 S *	11/2011	Chu	.....	D15/9
D648,750 S *	11/2011	Chu	.....	D15/9
D648,751 S *	11/2011	Chu	.....	D15/9
D648,752 S *	11/2011	Chu	.....	D15/9
D648,753 S *	11/2011	Chu	.....	D15/9

\* cited by examiner

*Primary Examiner* — Mark Goodwin

(74) *Attorney, Agent, or Firm* — Charles E. Baxley

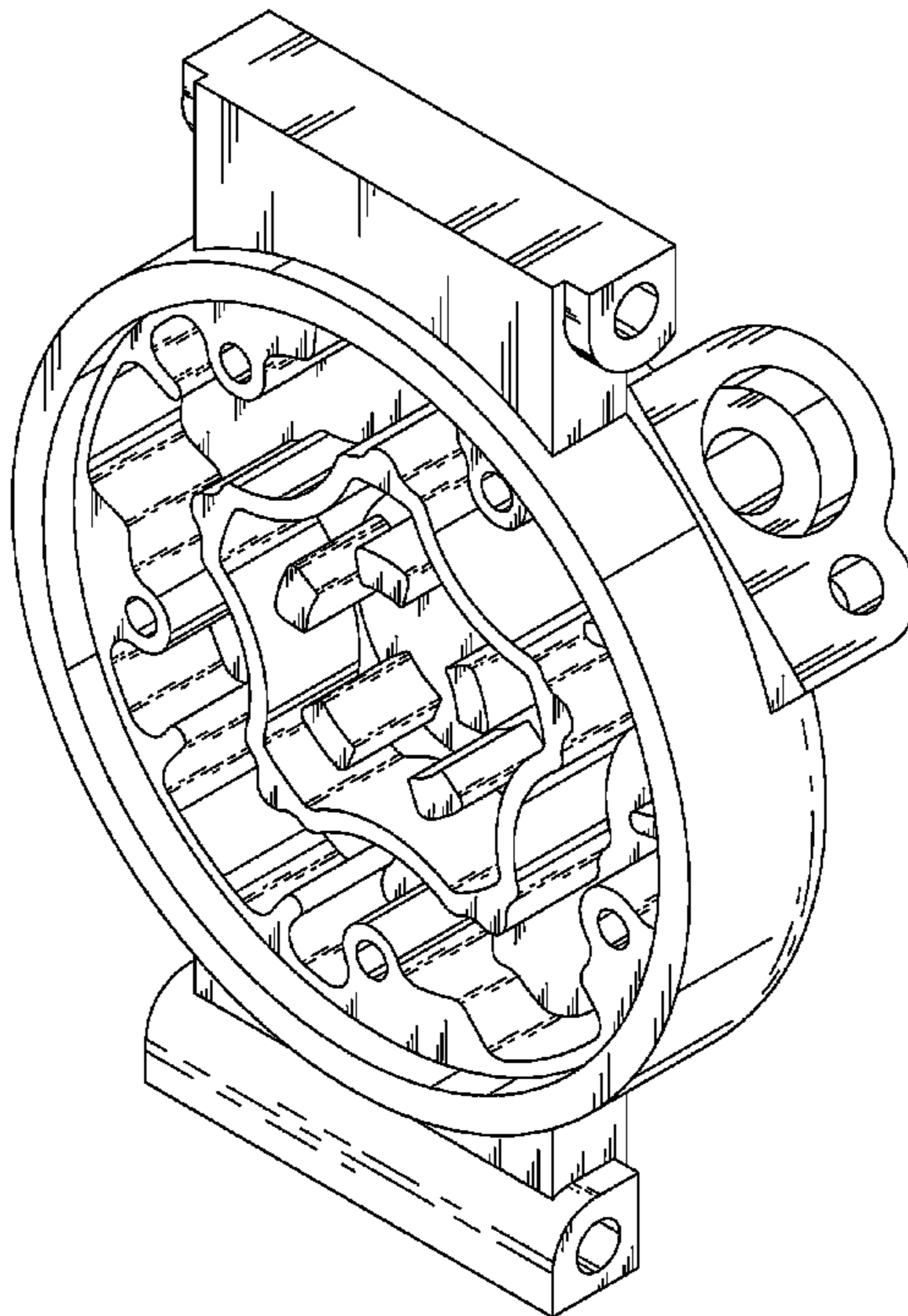
(57) **CLAIM**

The ornamental design for a cap for air compressor, as shown and described.

**DESCRIPTION**

FIG. 1 is a front and upper perspective view of a cap for air compressor showing my new design;  
 FIG. 2 is a front elevational view thereof;  
 FIG. 3 is a rear elevational view thereof;  
 FIG. 4 is a top plan view thereof;  
 FIG. 5 is a bottom plan view thereof;  
 FIG. 6 is a left side elevational view thereof;  
 FIG. 7 is a right side elevational view thereof;  
 FIG. 8 is a rear perspective view thereof;  
 FIG. 9 is a front and bottom perspective view thereof;  
 FIG. 10 is a front and upper perspective view thereof, the opening and the ribs depicted by means of broken lines being for illustrative purposes only and forming no part of the claimed design; and,  
 FIG. 11 is a bottom plan view thereof, the opening depicted by means of broken lines being for illustrative purposes only and forming no part of the claimed design.

**1 Claim, 9 Drawing Sheets**



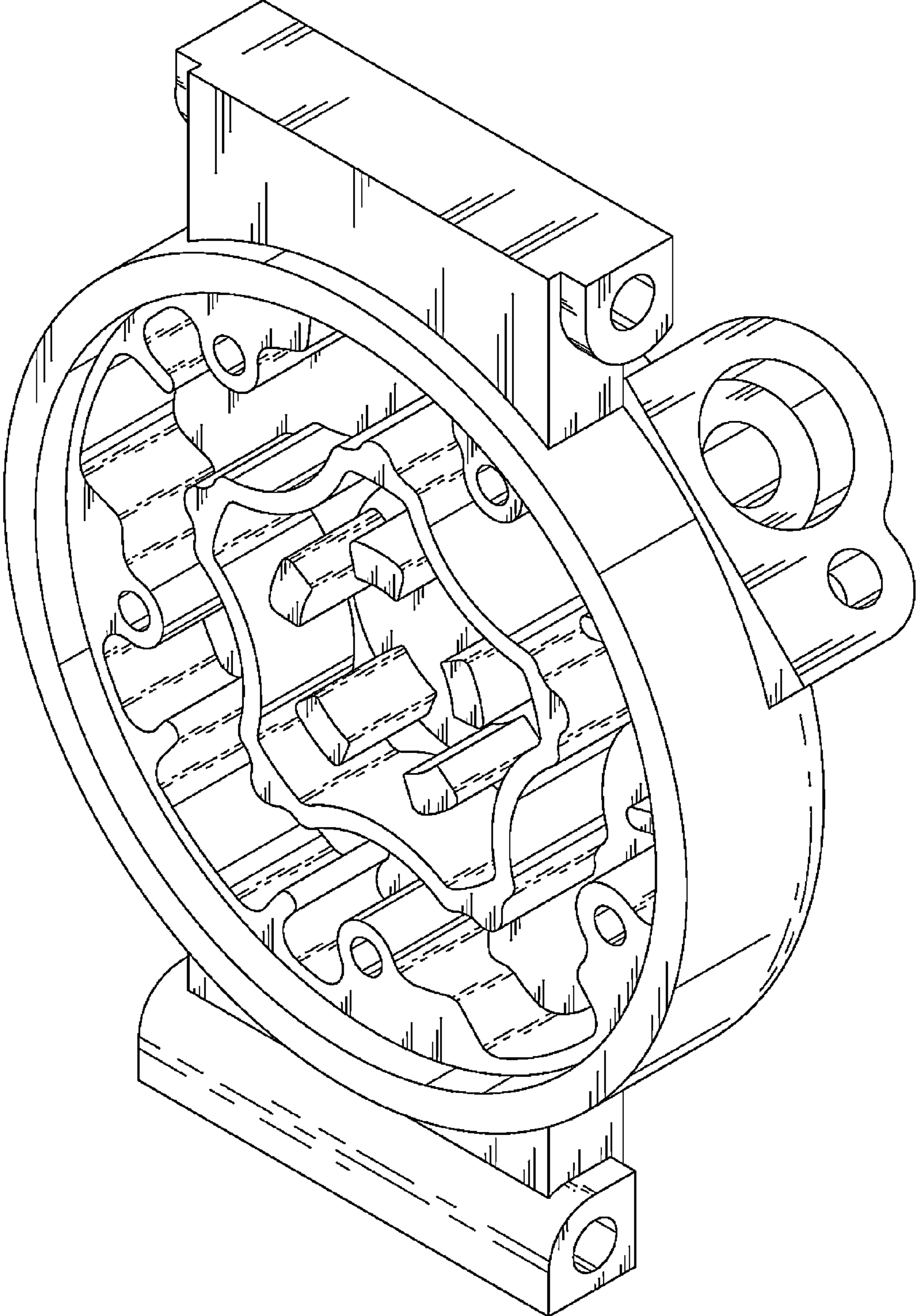


FIG. 1

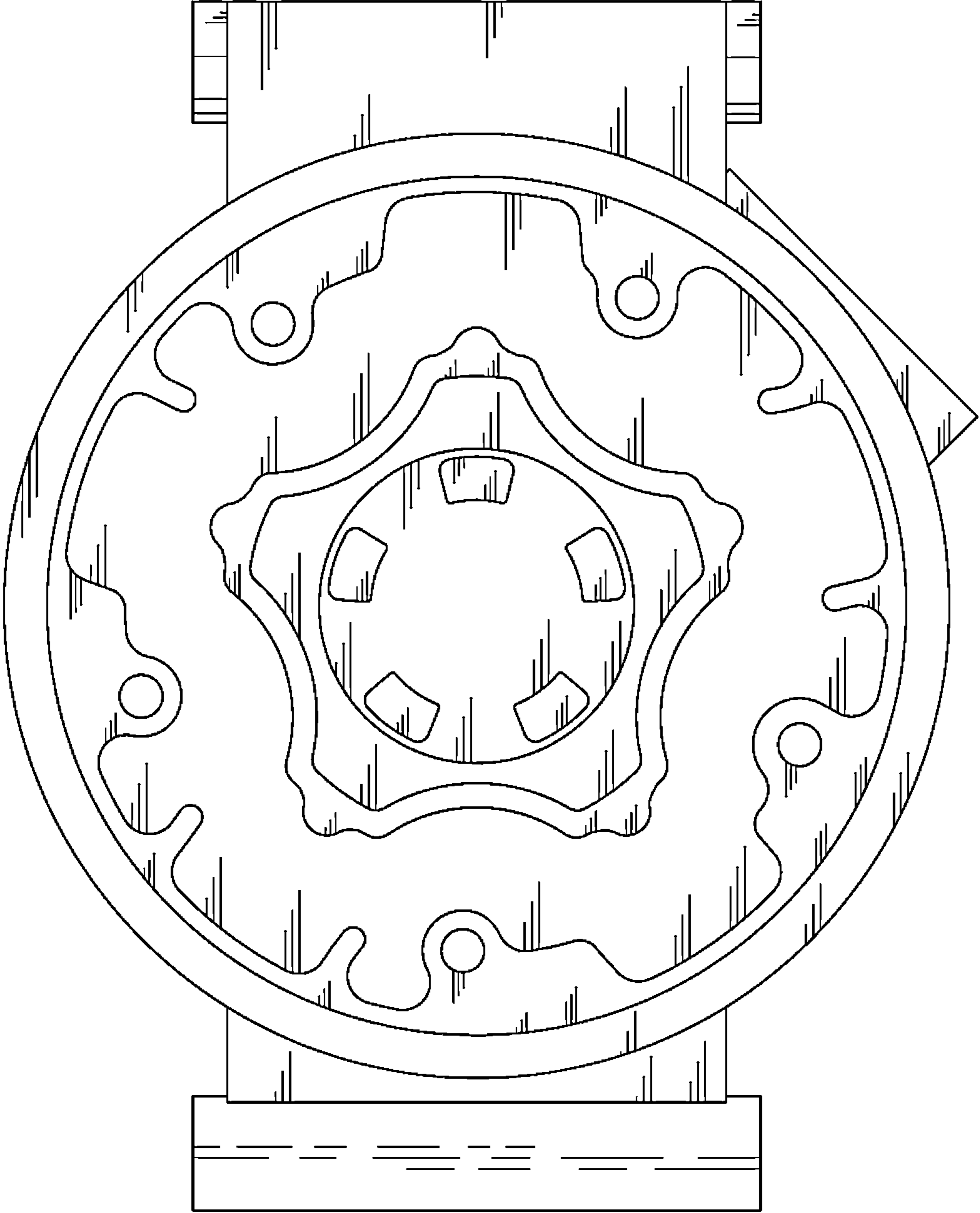


FIG. 2

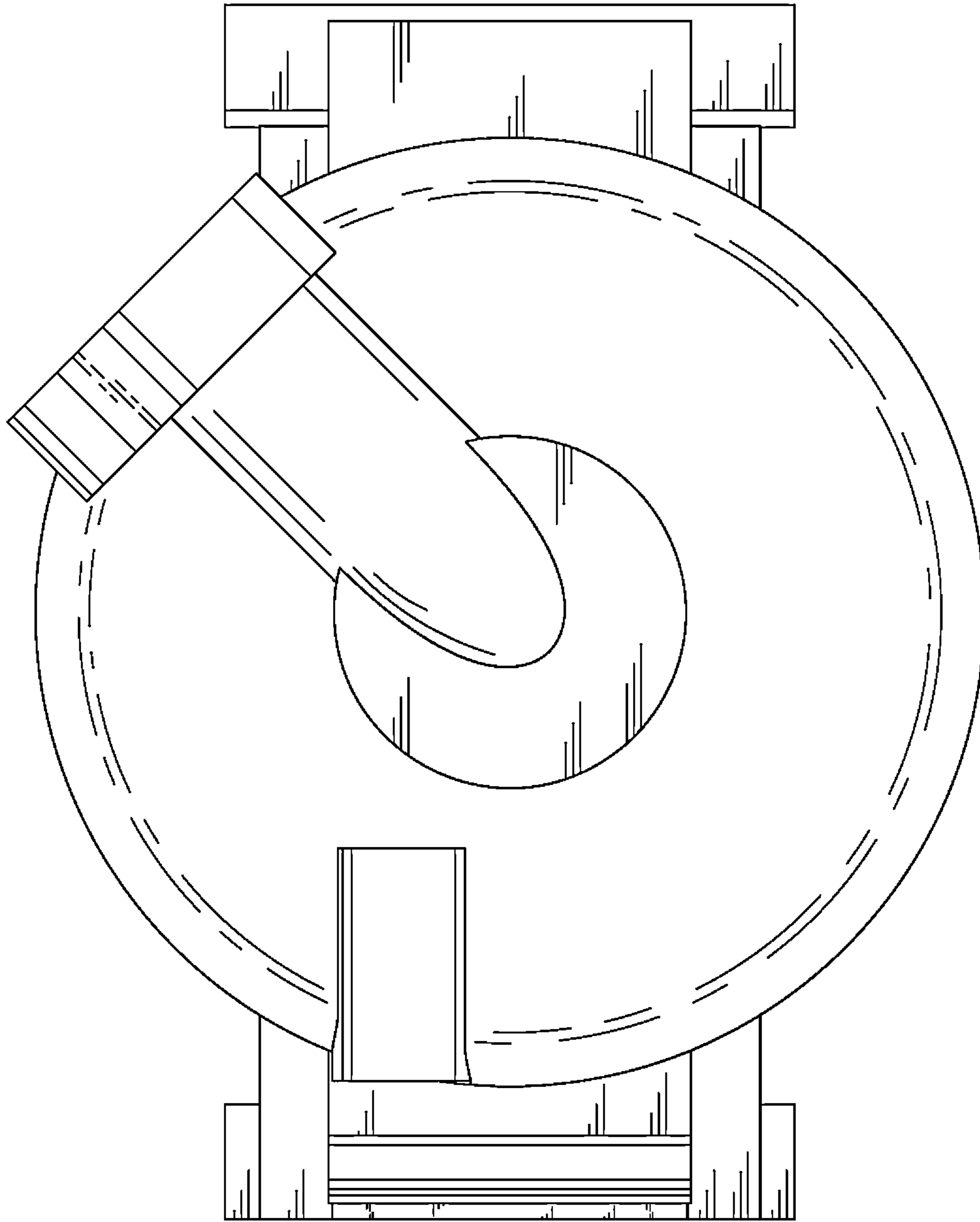


FIG. 3

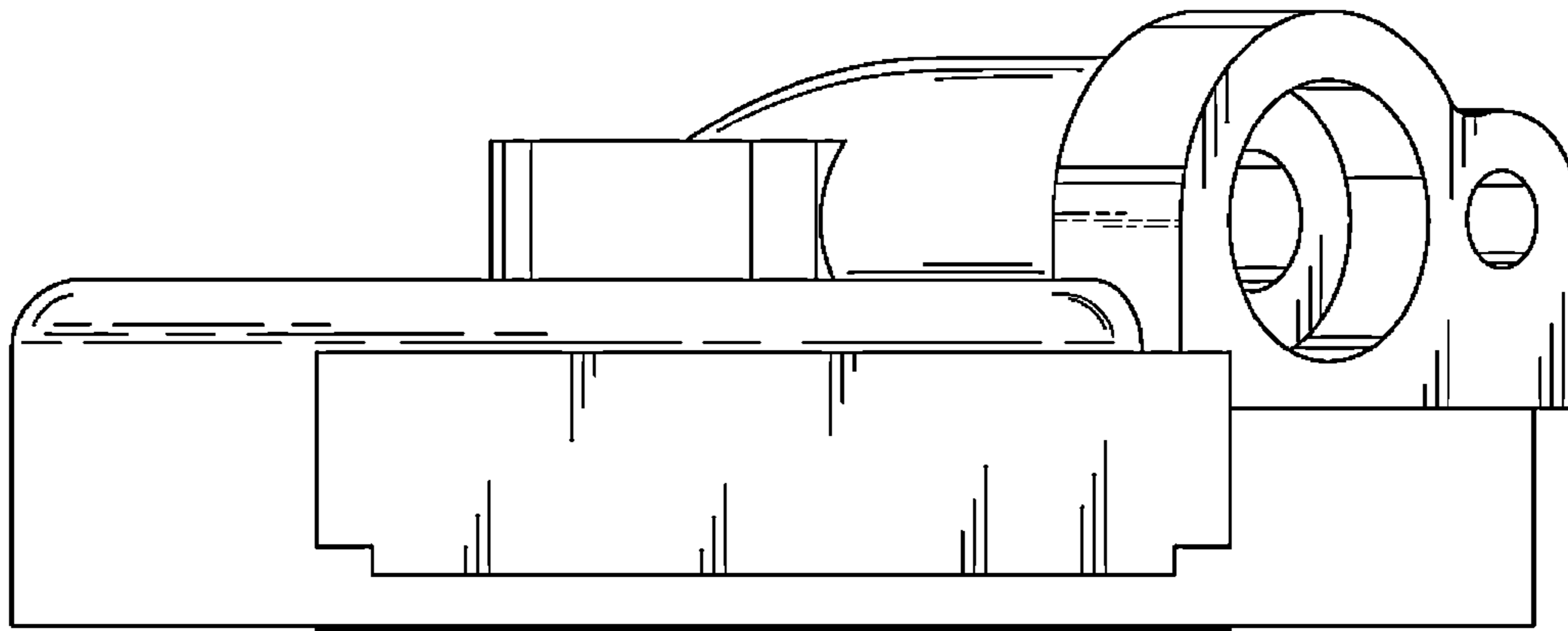


FIG. 4

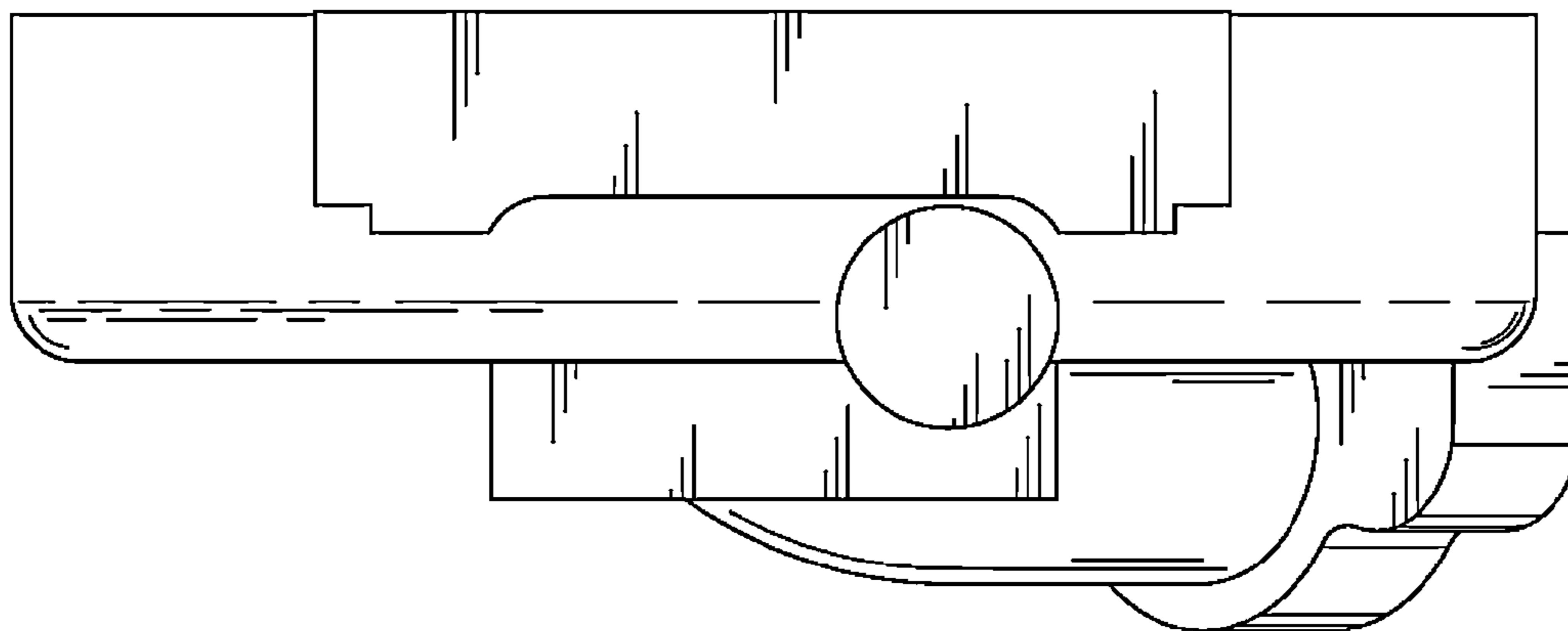


FIG. 5

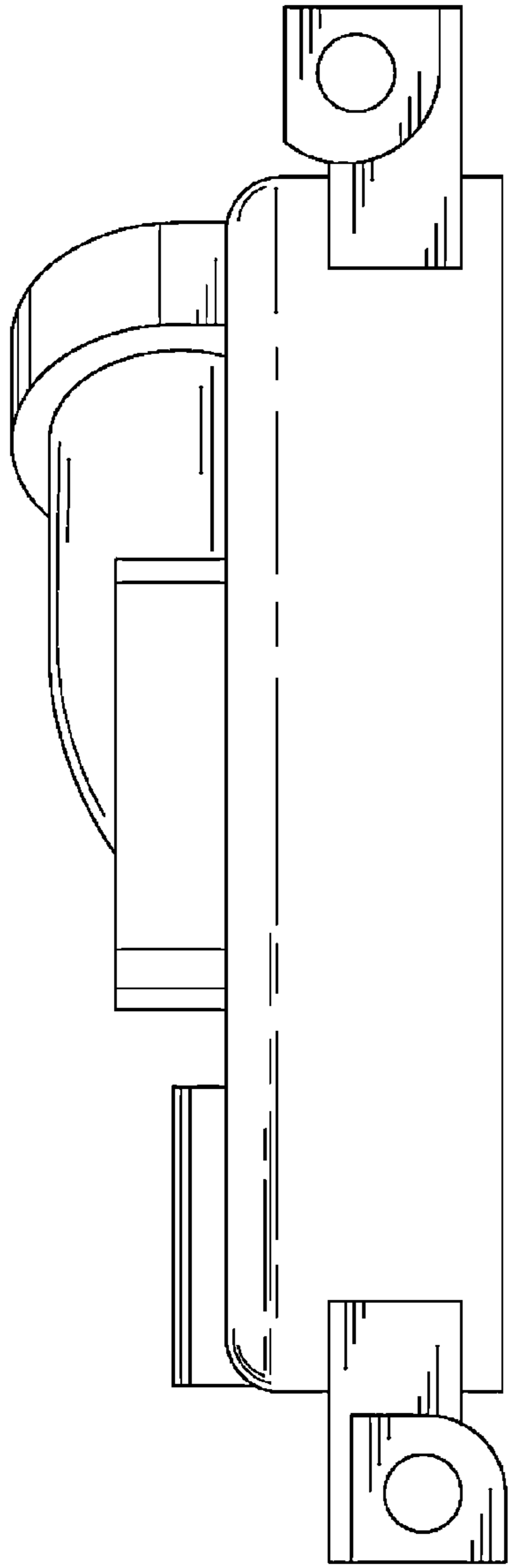


FIG. 6

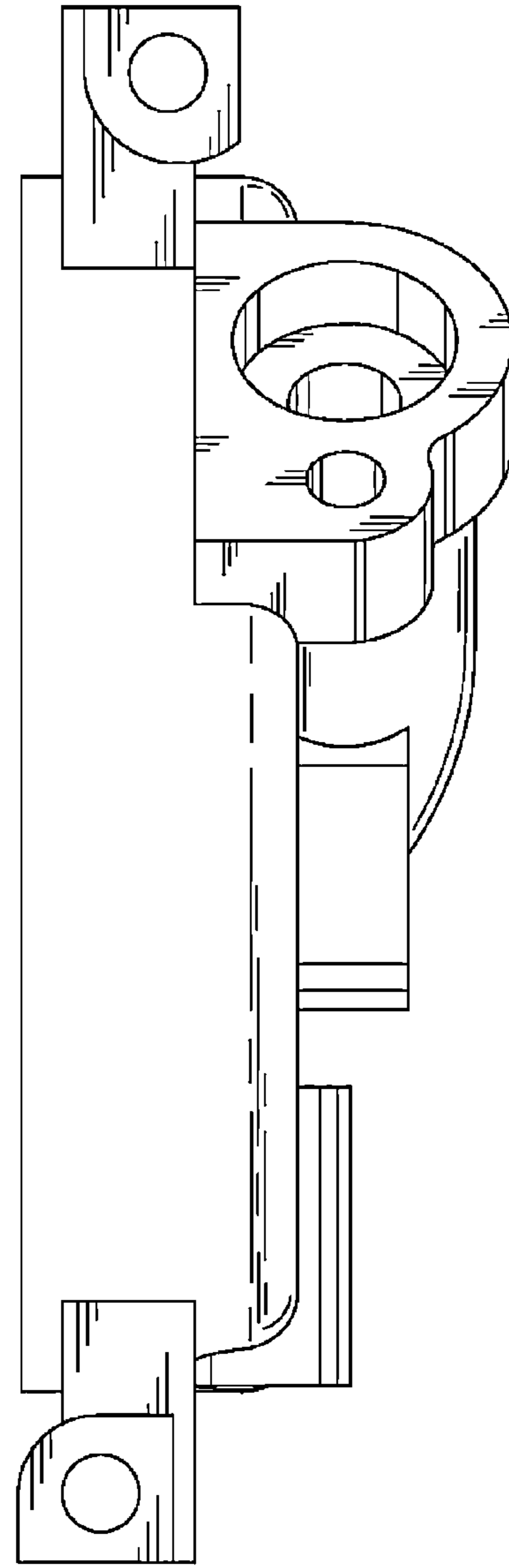


FIG. 7

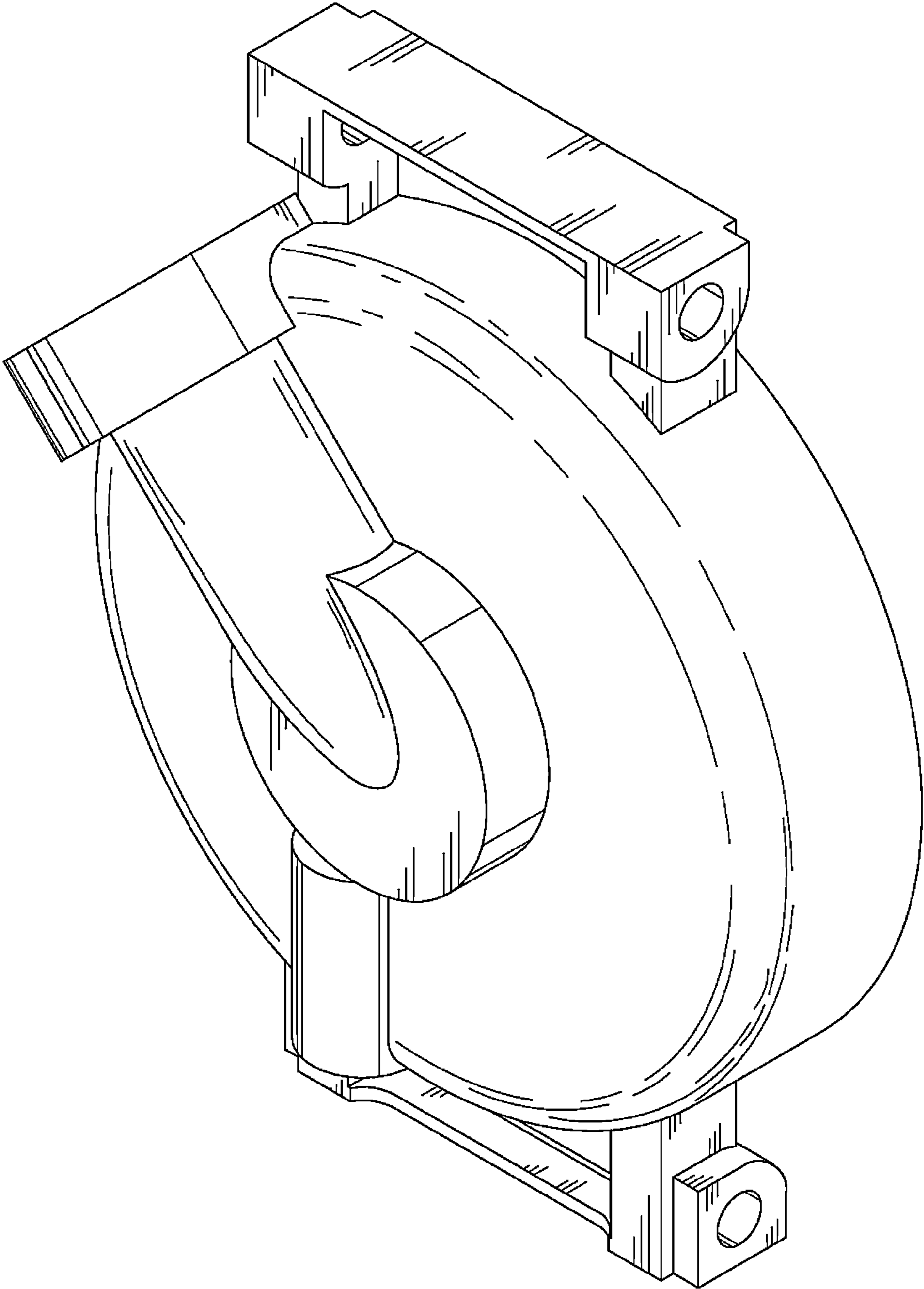


FIG. 8

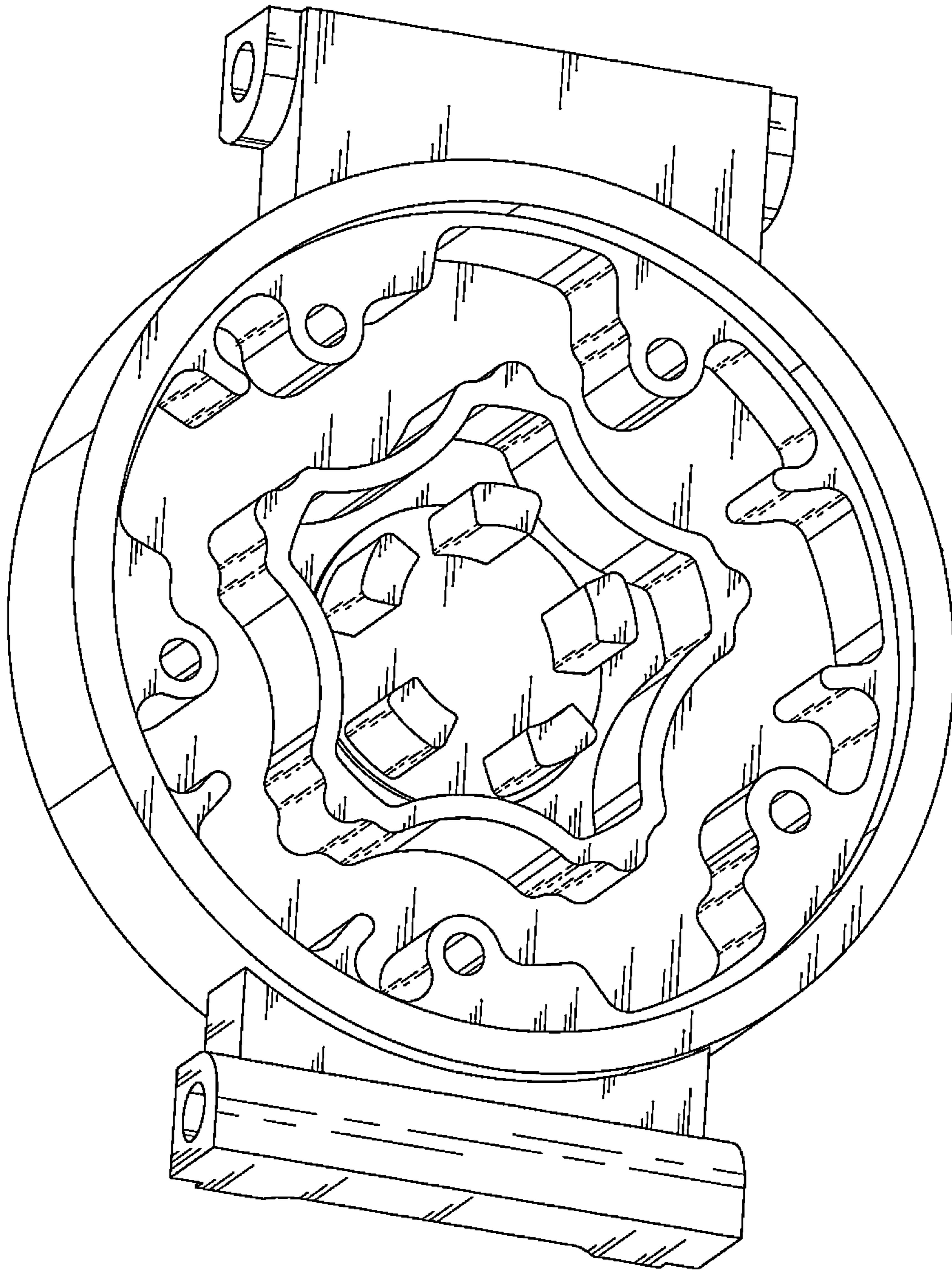


FIG. 9



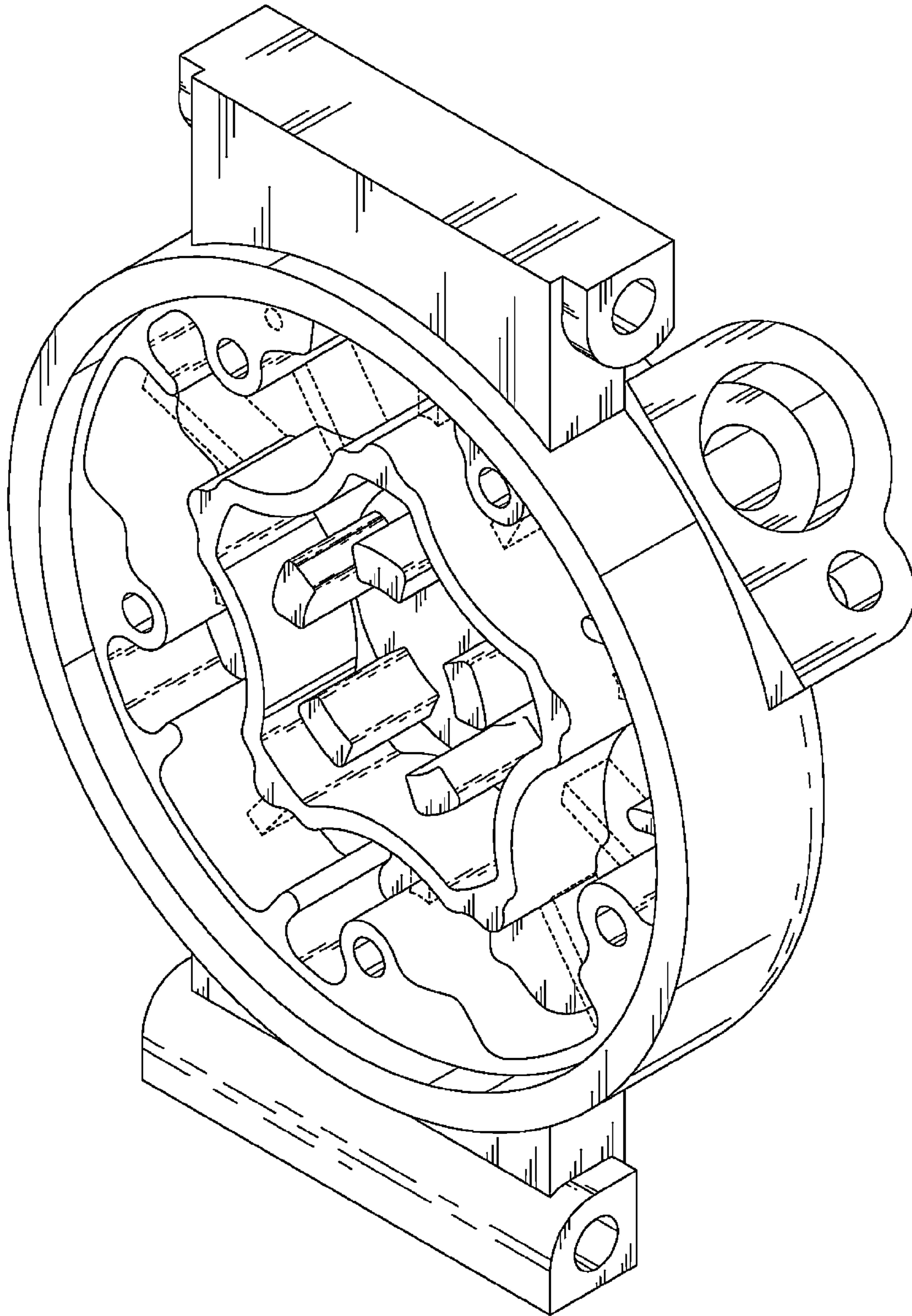


FIG. 10

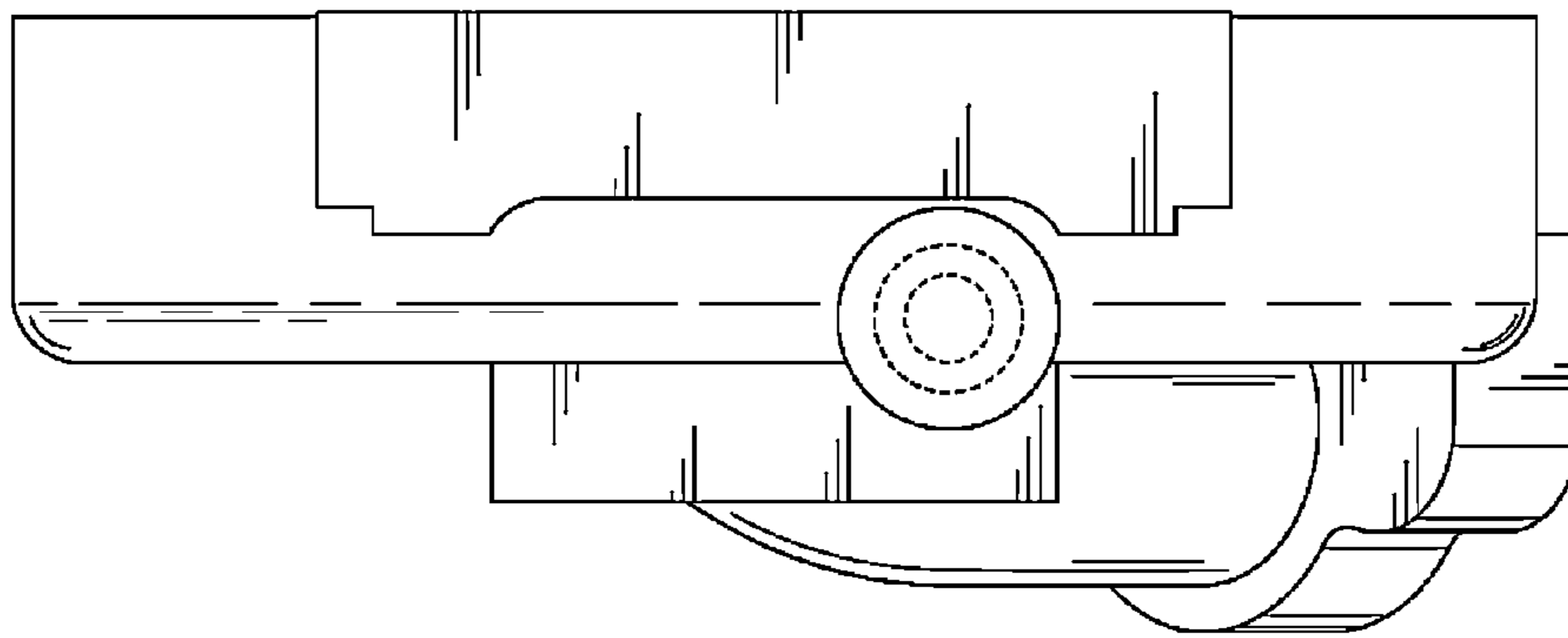


FIG. 11