



US00D735241S

(12) **United States Design Patent**
Brokenshire et al.

(10) **Patent No.:** **US D735,241 S**
(45) **Date of Patent:** **** Jul. 28, 2015**

- (54) **PUMP CARTRIDGE**
- (71) Applicant: **Watson-Marlow Limited**, Falmouth, Cornwall (GB)
- (72) Inventors: **Steven Brokenshire**, St Ives (GB); **David Crowsley**, Falmouth (GB); **Oliver Warren**, Truro (GB)
- (73) Assignee: **Watson-Marlow Limited**, Cornwall (GB)
- (**) Term: **14 Years**

D290,127	S	6/1987	Goldman et al.
D303,533	S	9/1989	Eberhardt et al.
4,886,431	A *	12/1989	Soderquist et al. 417/477.2
5,147,313	A *	9/1992	Dikeman 604/153
D403,329	S *	12/1998	Walker et al. D15/7
5,846,061	A *	12/1998	Ledebuhr et al. 417/477.9
D498,480	S *	11/2004	Tsai D15/7
D499,425	S	12/2004	Pirzada
7,001,153	B2 *	2/2006	McDowell et al. 417/63
D518,490	S	4/2006	Pirzada
D558,231	S *	12/2007	Vivar et al. D15/7
D635,588	S	4/2011	Sprules
8,585,379	B2 *	11/2013	Ramirez et al. 417/477.1
D710,901	S *	8/2014	Brokenshire et al. D15/7

- (21) Appl. No.: **29/495,652**
- (22) Filed: **Jul. 2, 2014**

FOREIGN PATENT DOCUMENTS

EP 000681333-0001 3/2007

* cited by examiner

Related U.S. Application Data

- (62) Division of application No. 29/428,669, filed on Aug. 2, 2012, now Pat. No. Des. 710,901.

- (51) **LOC (10) Cl.** **15-02**
- (52) **U.S. Cl.**
USPC **D15/7**

- (58) **Field of Classification Search**
USPC D15/7-9; D23/231, 232, 225; 417/60, 417/235, 265, 321, 355, 358, 363, 359, 417/410.1, 415-416, 405, 900, 476, 477.1; 60/408, 412; 415/140-147
CPC F04B 43/12
See application file for complete search history.

- (56) **References Cited**

U.S. PATENT DOCUMENTS

2,958,294	A *	11/1960	Johnson 418/45
D236,163	S	7/1975	Manno
4,496,295	A *	1/1985	King 417/477.12
D277,602	S	2/1985	Benson et al.
D289,523	S	4/1987	Fussell

Primary Examiner — Ralf Seifert

(74) *Attorney, Agent, or Firm* — MacMillan, Sobanski & Todd, LLC

(57) **CLAIM**

The ornamental design for a pump cartridge, as shown.

DESCRIPTION

FIG. 1 is a perspective view of a pump cartridge embodying our design.

FIG. 2 is a front side elevational view thereof.

FIG. 3 is a rear side elevational view thereof.

FIG. 4 is a left side elevational view thereof.

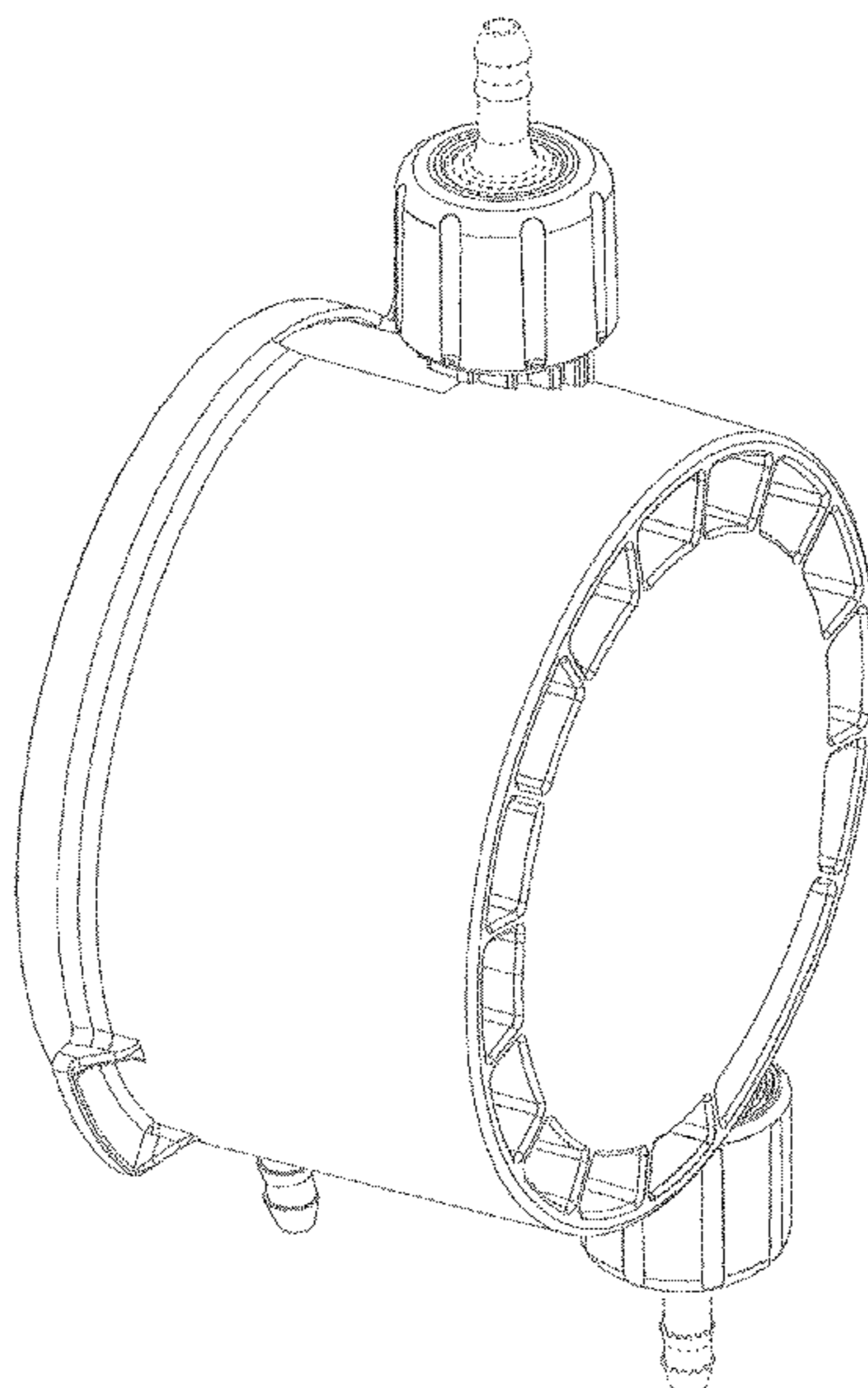
FIG. 5 is a right side elevational view thereof.

FIG. 6 is a top plan view thereof; and,

FIG. 7 is a bottom plan view thereof.

The broken lines throughout the drawings are included for the purpose of illustrating portions of the pump cartridge that form no part of the claimed design.

1 Claim, 7 Drawing Sheets



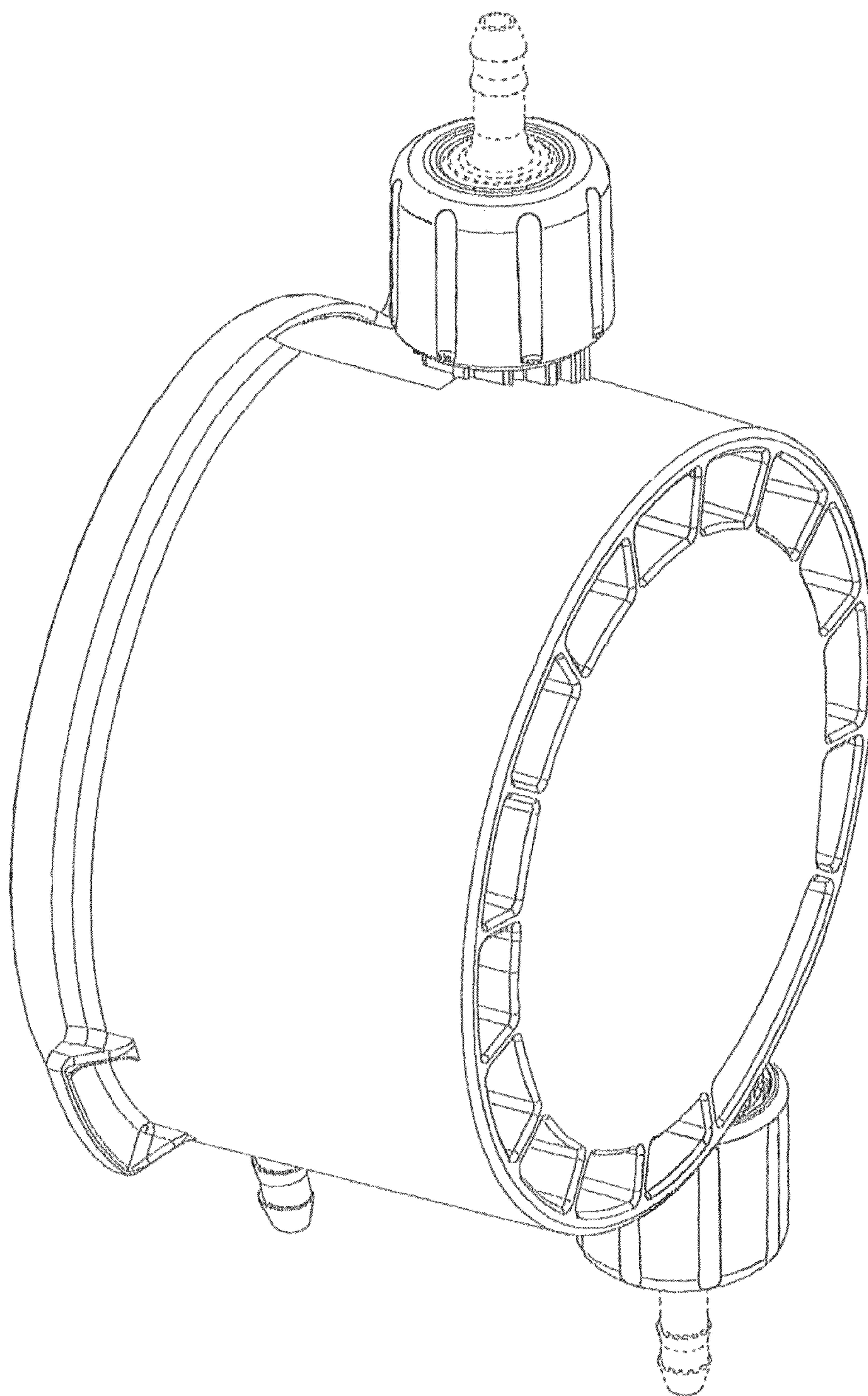


FIG. 1

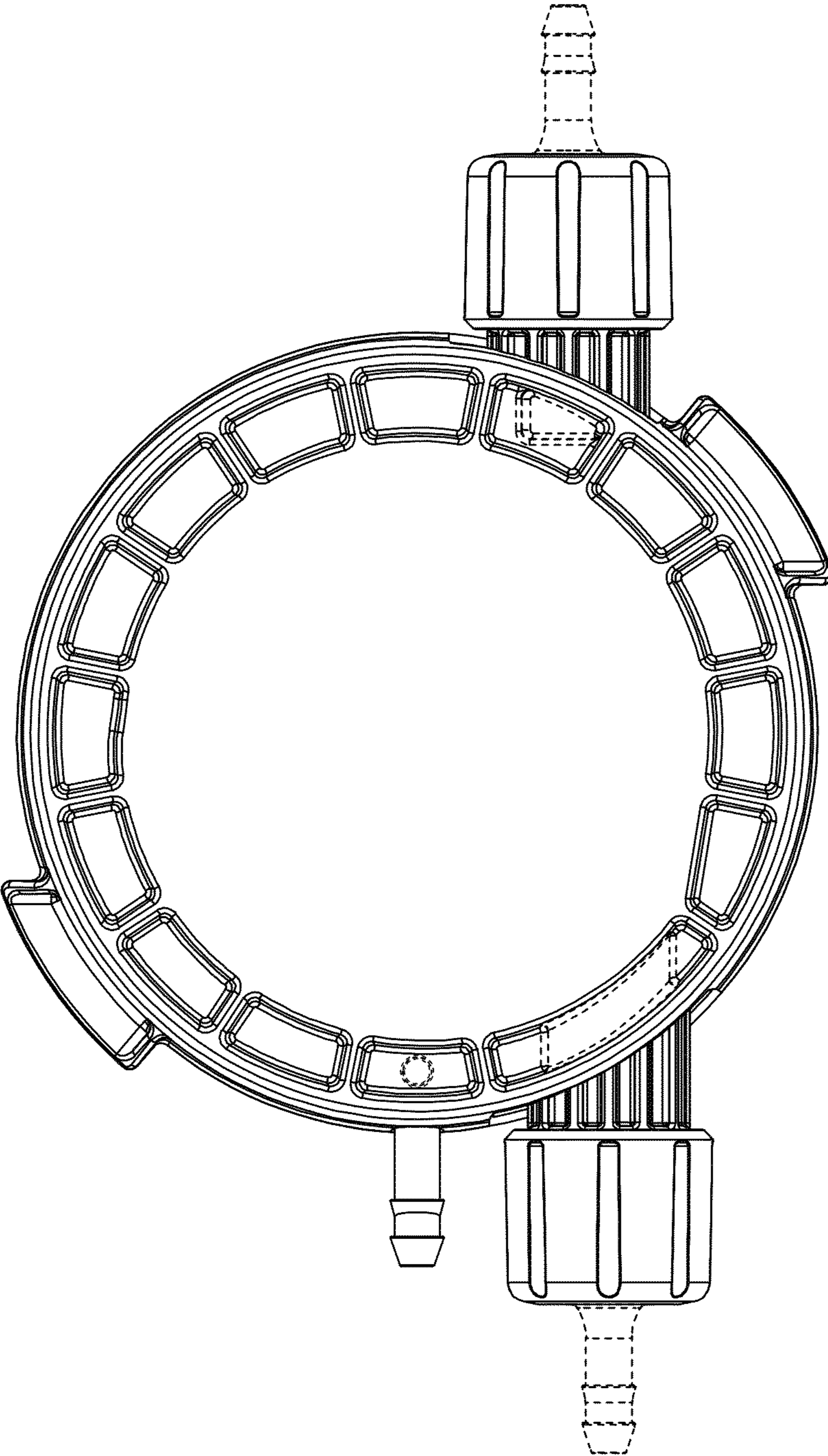


FIG. 2

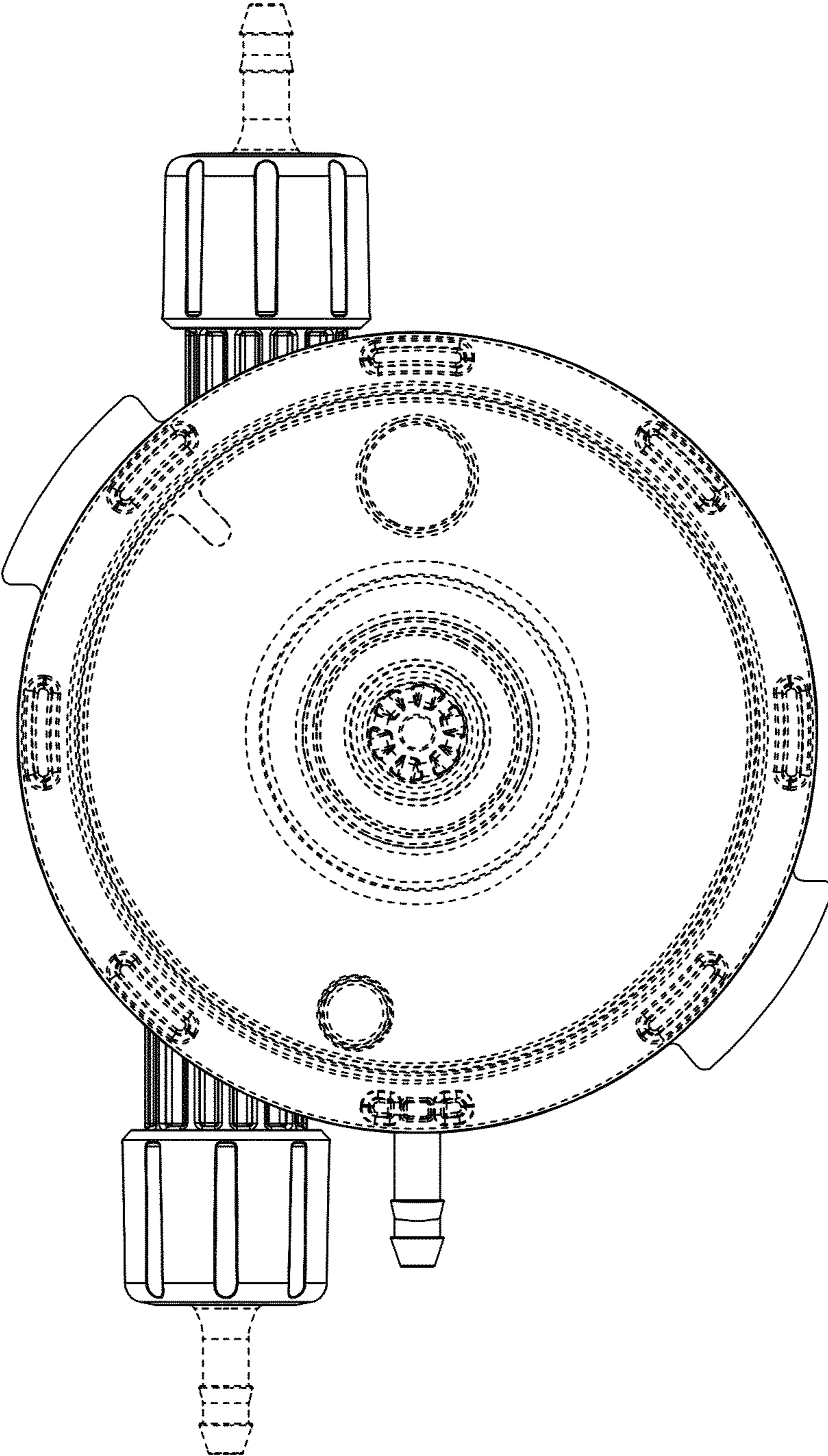


FIG. 3

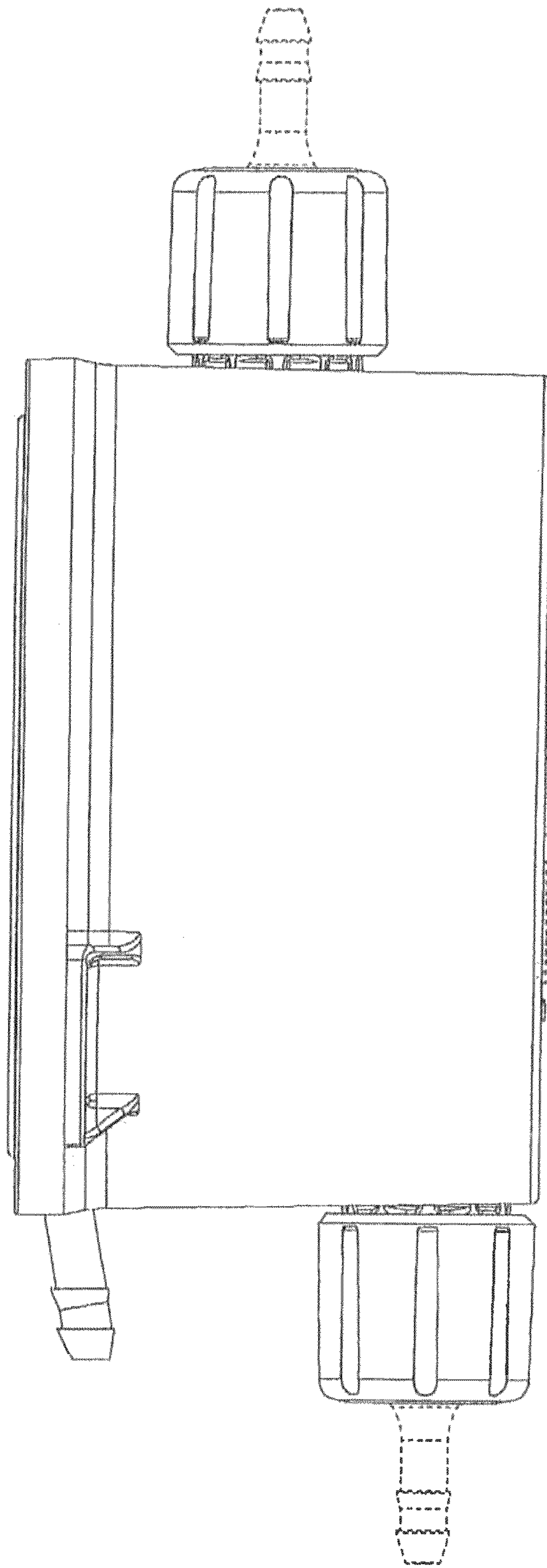


FIG. 4

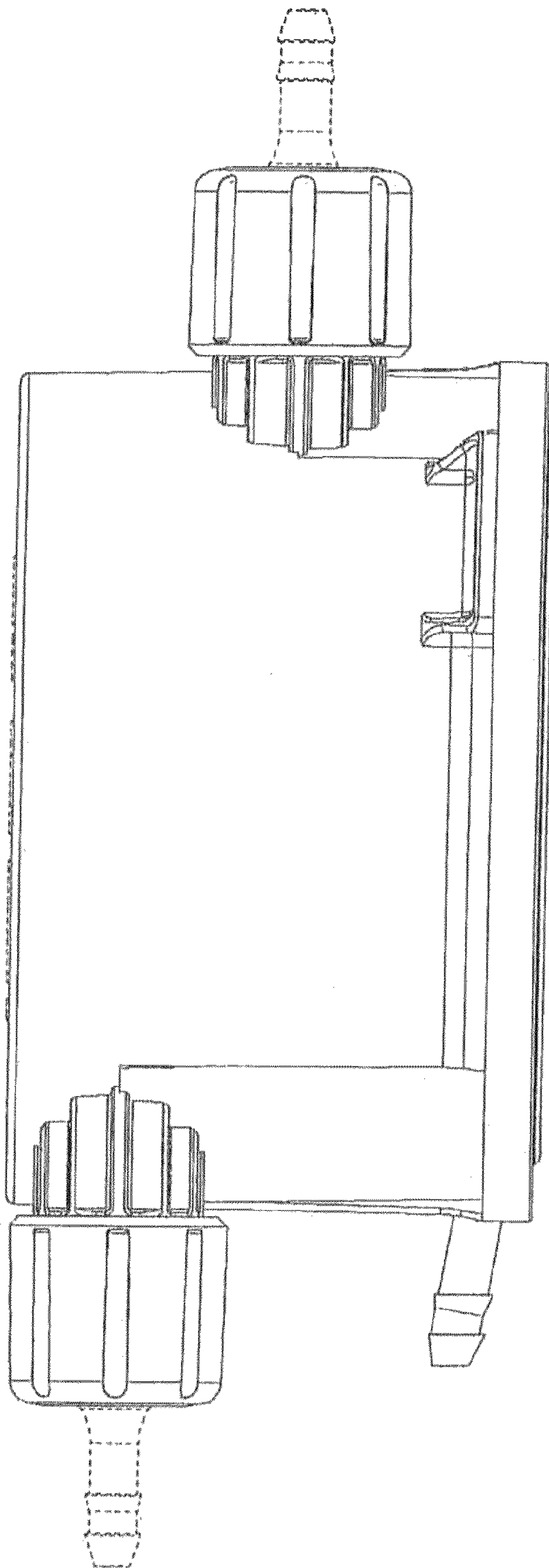


FIG. 5

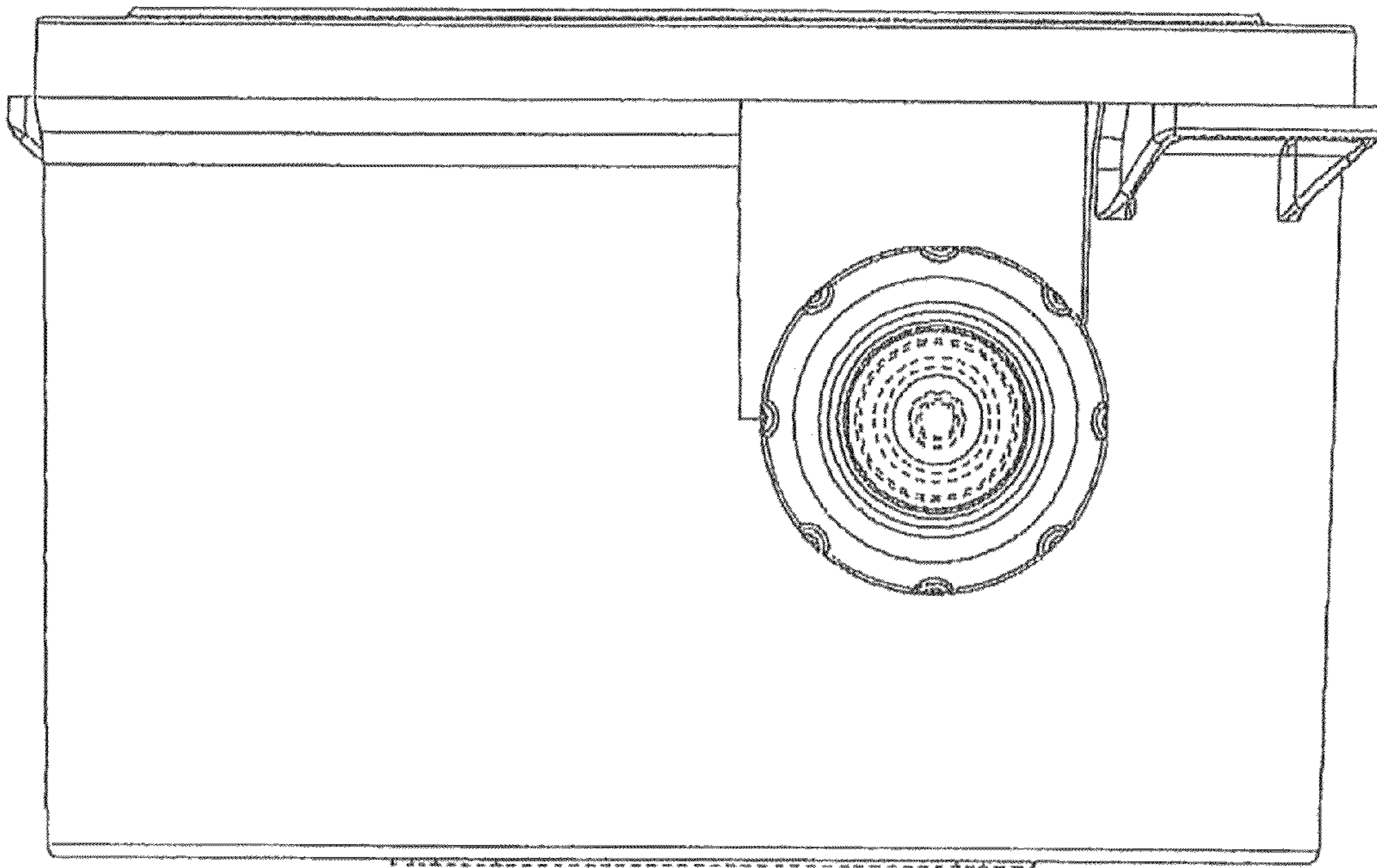


FIG. 6

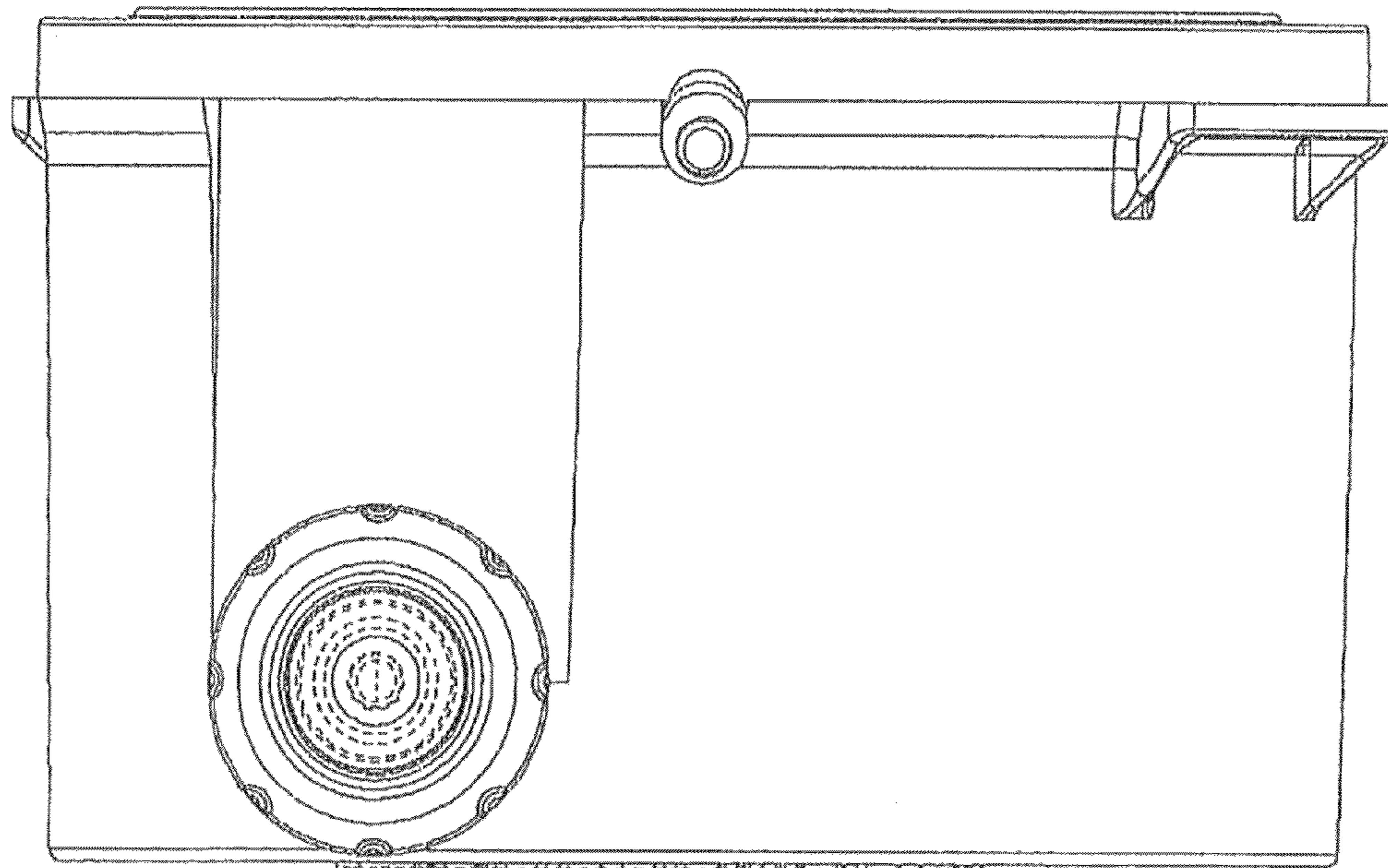


FIG. 7