



US00D735240S

(12) **United States Design Patent**
Cook et al.

(10) **Patent No.:** **US D735,240 S**
(45) **Date of Patent:** **** Jul. 28, 2015**

(54) **LOW PROFILE PUMP**
(71) Applicant: **Flow Control LLC.**, Beverly, MA (US)
(72) Inventors: **Gregory Cook**, Holliston, MA (US);
Jeffrey D. Lopes, Gloucester, MA (US)

D264,085 S * 4/1982 Clay D15/7
D292,978 S * 12/1987 Hansen et al. D15/7
D303,532 S * 9/1989 Gresens D15/7
5,545,012 A 8/1996 Anastos et al.
6,174,146 B1 1/2001 Lacy et al.
6,676,382 B2 1/2004 Leighton et al.

(Continued)

(73) Assignee: **FLOW CONTROL LLC.**

FOREIGN PATENT DOCUMENTS

(**) Term: **14 Years**

JP 200045984 2/2000
WO 2004038228 5/2004

(21) Appl. No.: **29/480,850**

Primary Examiner — Ralf Seifert

(22) Filed: **Jan. 30, 2014**

(51) **LOC (10) Cl.** **15-02**

(52) **U.S. Cl.**
USPC **D15/7**

(57) **CLAIM**

We claim the ornamental design of a low profile pump, as shown and described herein.

(58) **Field of Classification Search**
USPC D15/7-9; D23/231, 232, 225; 417/60,
417/235, 265, 321, 355, 358, 363, 359,
417/410.1, 415-416, 405, 900, 43, 554;
60/408, 412; 184/26-37; 415/140-147;
123/495, 509; 166/105.1, 105.2, 311;
604/73; D24/109
CPC F04D 29/18; F04D 29/40; F04B 17/00
See application file for complete search history.

DESCRIPTION

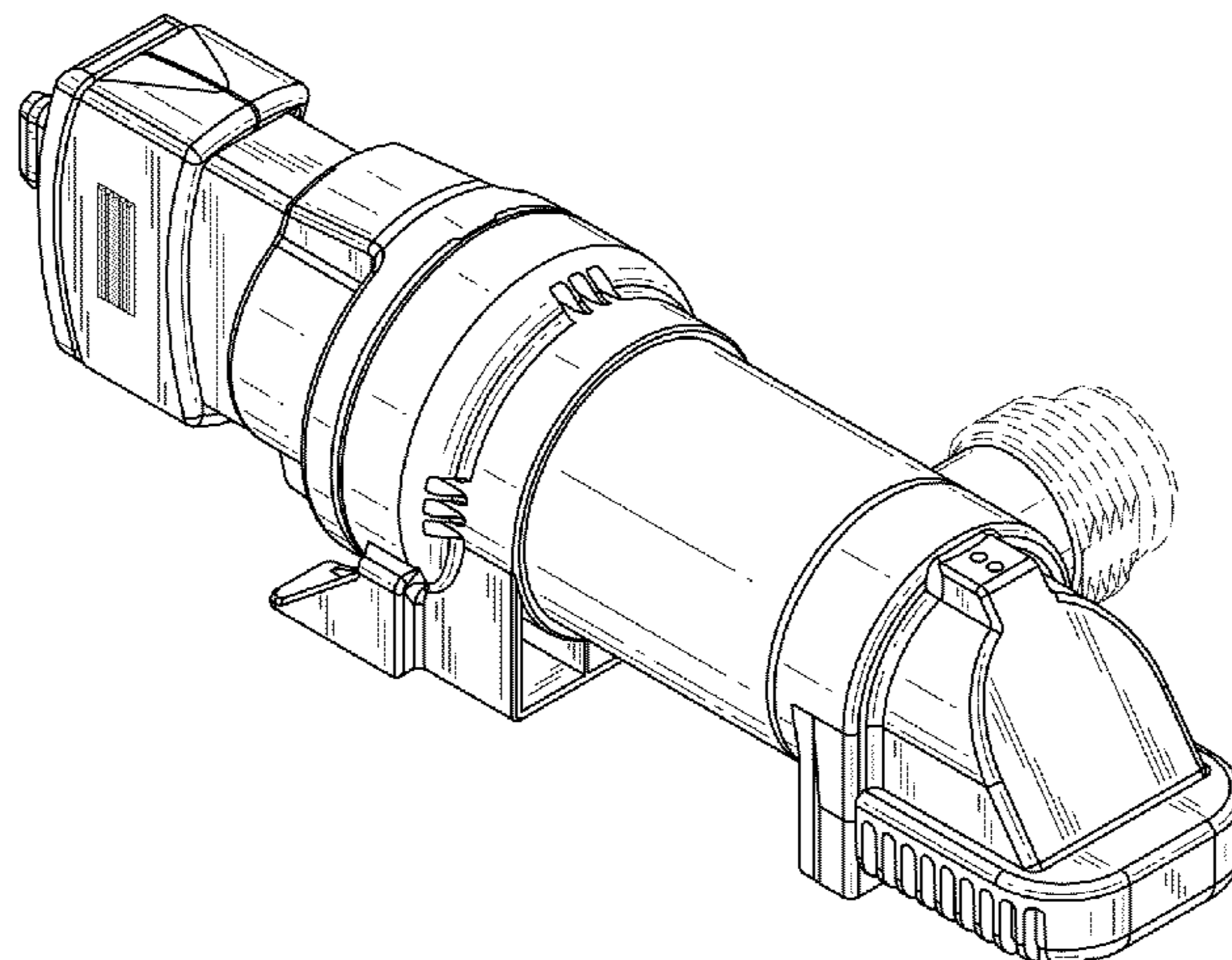
FIG. 1 is a top perspective view of a low profile pump according to some embodiments of the present invention;
FIG. 2 is a bottom perspective view of the low profile pump shown in FIG. 1 according to some embodiments of the present invention;
FIG. 3 is a side view of the low profile pump shown in FIG. 1 according to some embodiments of the present invention;
FIG. 4 is a corresponding side view from the low profile pump shown in FIG. 3 according to some embodiments of the present invention;
FIG. 5 is a top view of the low profile pump shown in FIG. 1 according to some embodiments of the present invention;
FIG. 6 is a bottom view of the low profile pump shown in FIG. 1 according to some embodiments of the present invention;
FIG. 7 is a front view of the low profile pump shown in FIG. 1 according to some embodiments of the present invention; and,
FIG. 8 is a back view of the low profile pump shown in FIG. 1 according to some embodiments of the present invention.

(56) **References Cited**

U.S. PATENT DOCUMENTS

1,780,679 A 11/1930 Jennings
D162,502 S * 3/1951 Zimmer, Jr. D15/7
2,643,615 A 6/1953 Murphy et al.
2,910,003 A 10/1959 Kaatz
3,044,406 A 7/1962 Kristenson
D195,748 S * 7/1963 Lorenz D15/7
3,637,326 A 1/1972 Dowell
3,695,776 A 10/1972 Rule
3,700,002 A 10/1972 Christie
3,807,900 A 4/1974 Delancey et al.
3,966,361 A 6/1976 House

1 Claim, 3 Drawing Sheets



(56)

References Cited

U.S. PATENT DOCUMENTS

7,183,741 B2 2/2007 Mehlhorn
7,755,318 B1 7/2010 Panosh
D629,423 S * 12/2010 Varini D15/7
8,167,578 B2 5/2012 Lin et al.

D684,197 S * 6/2013 Kienzle et al. D15/9
D701,246 S * 3/2014 Cook D15/7
2010/0166570 A1 7/2010 Hampton
2012/0171051 A1 7/2012 Wallace
2013/0052060 A1 2/2013 Meza et al.

* cited by examiner

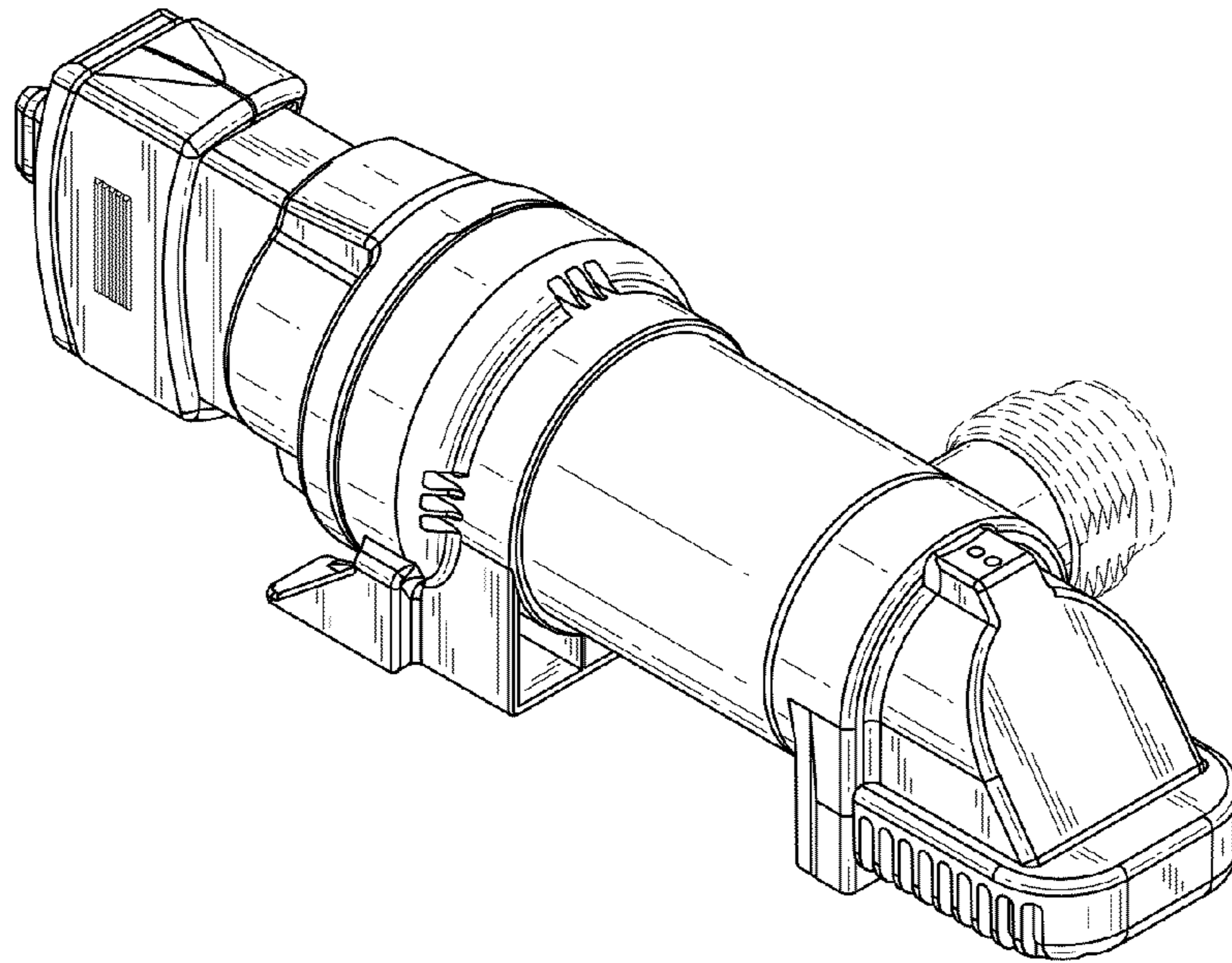


FIG. 1

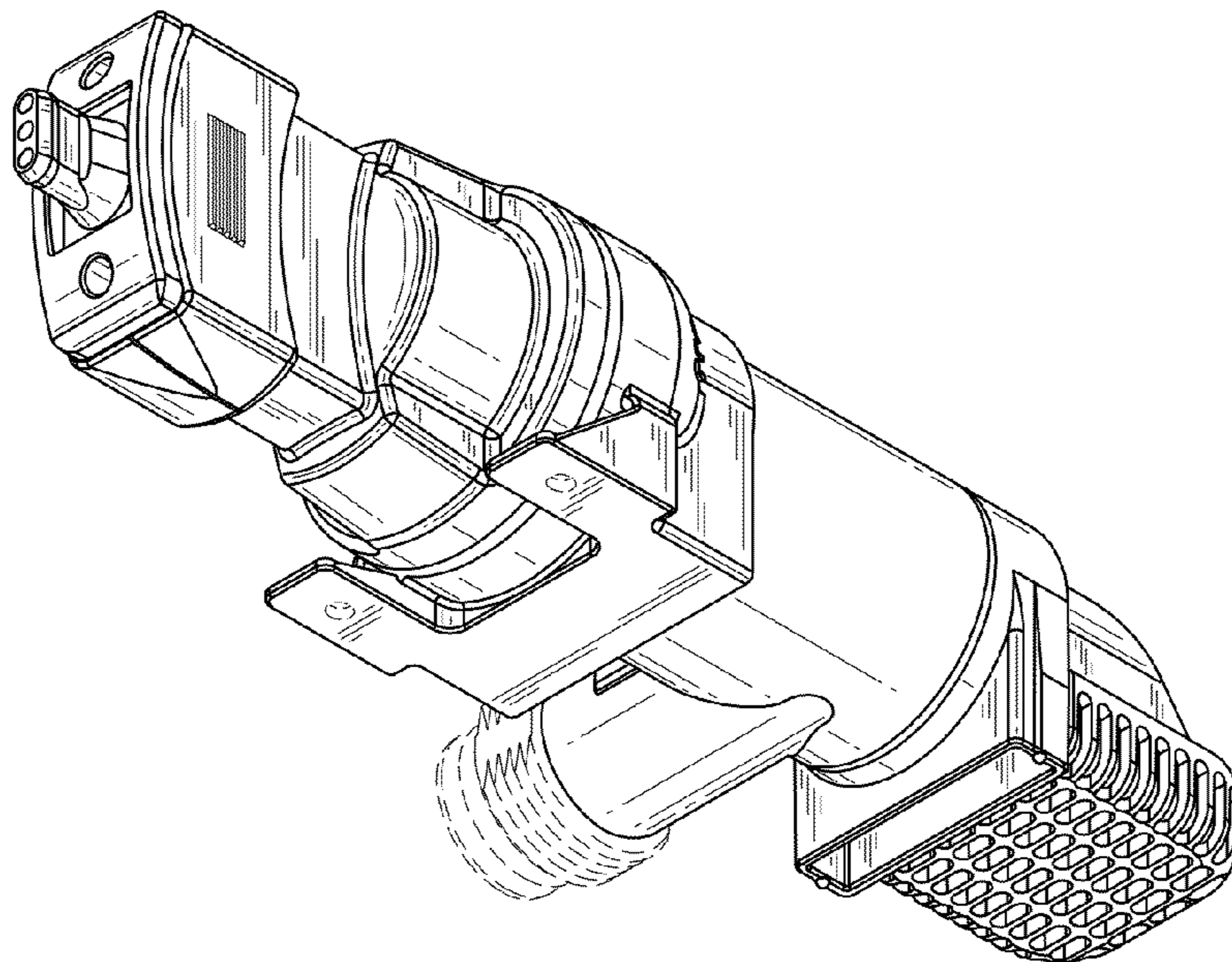


FIG. 2

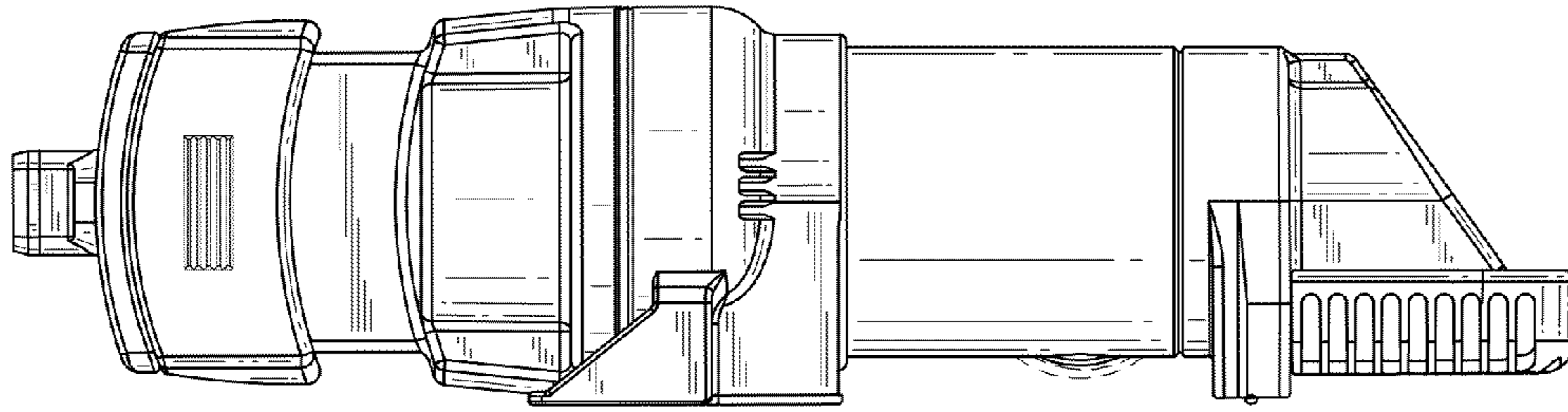


FIG. 3

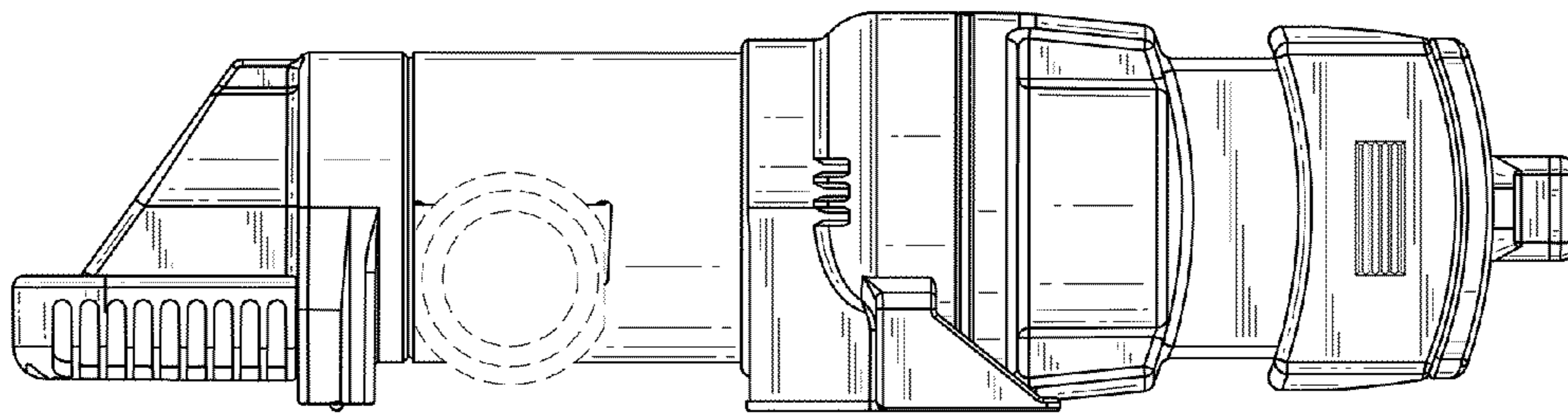


FIG. 4

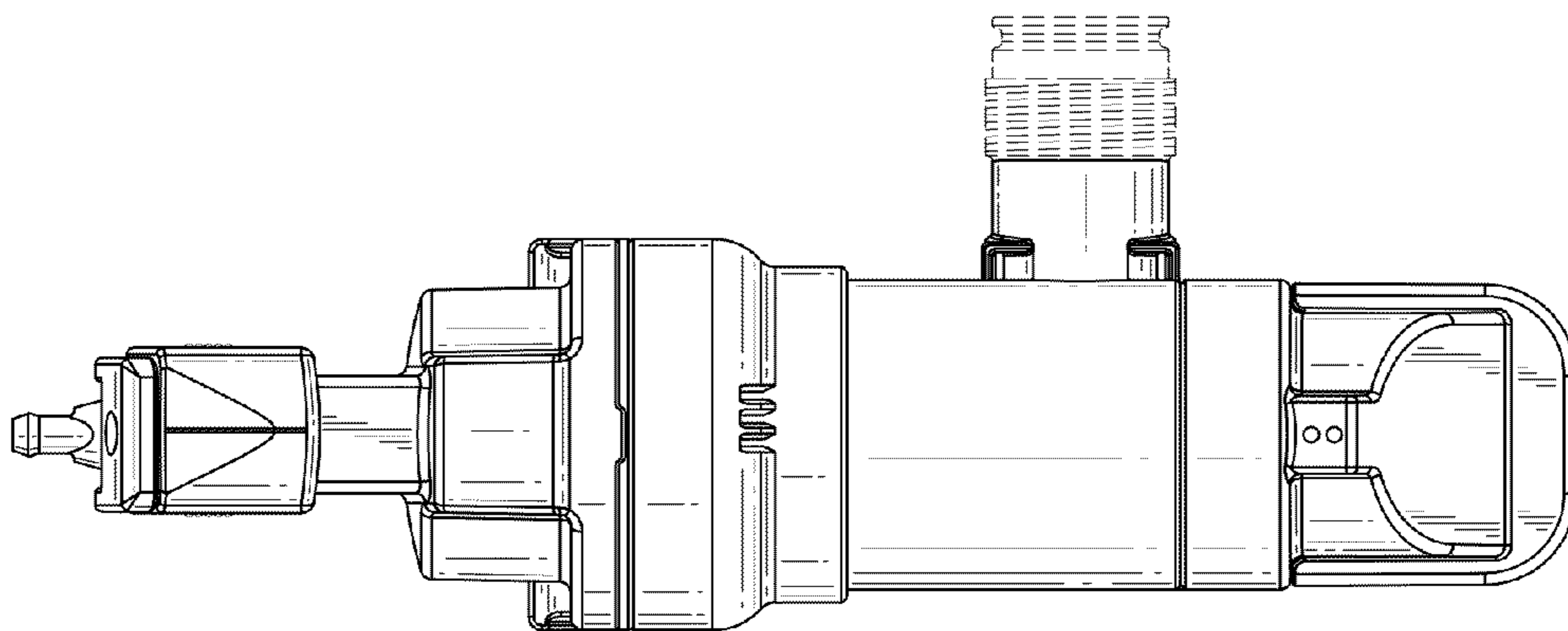


FIG. 5

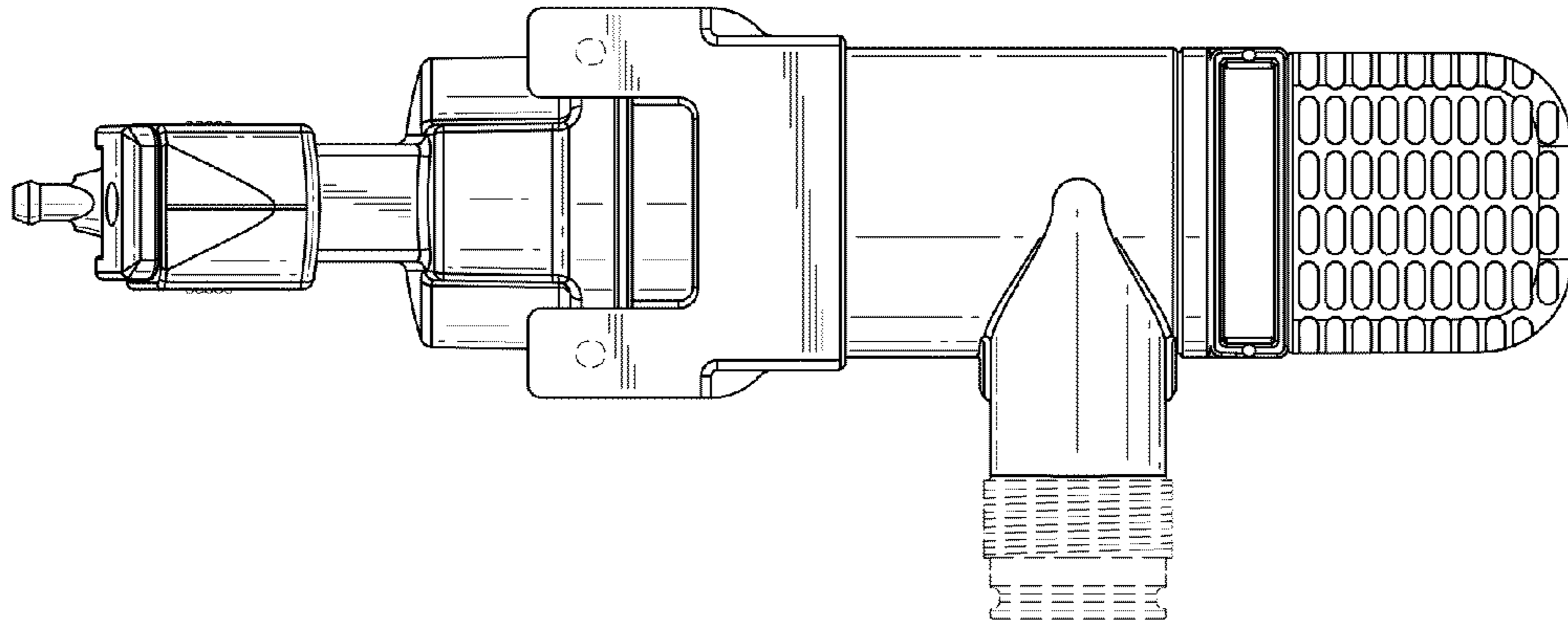


FIG. 6

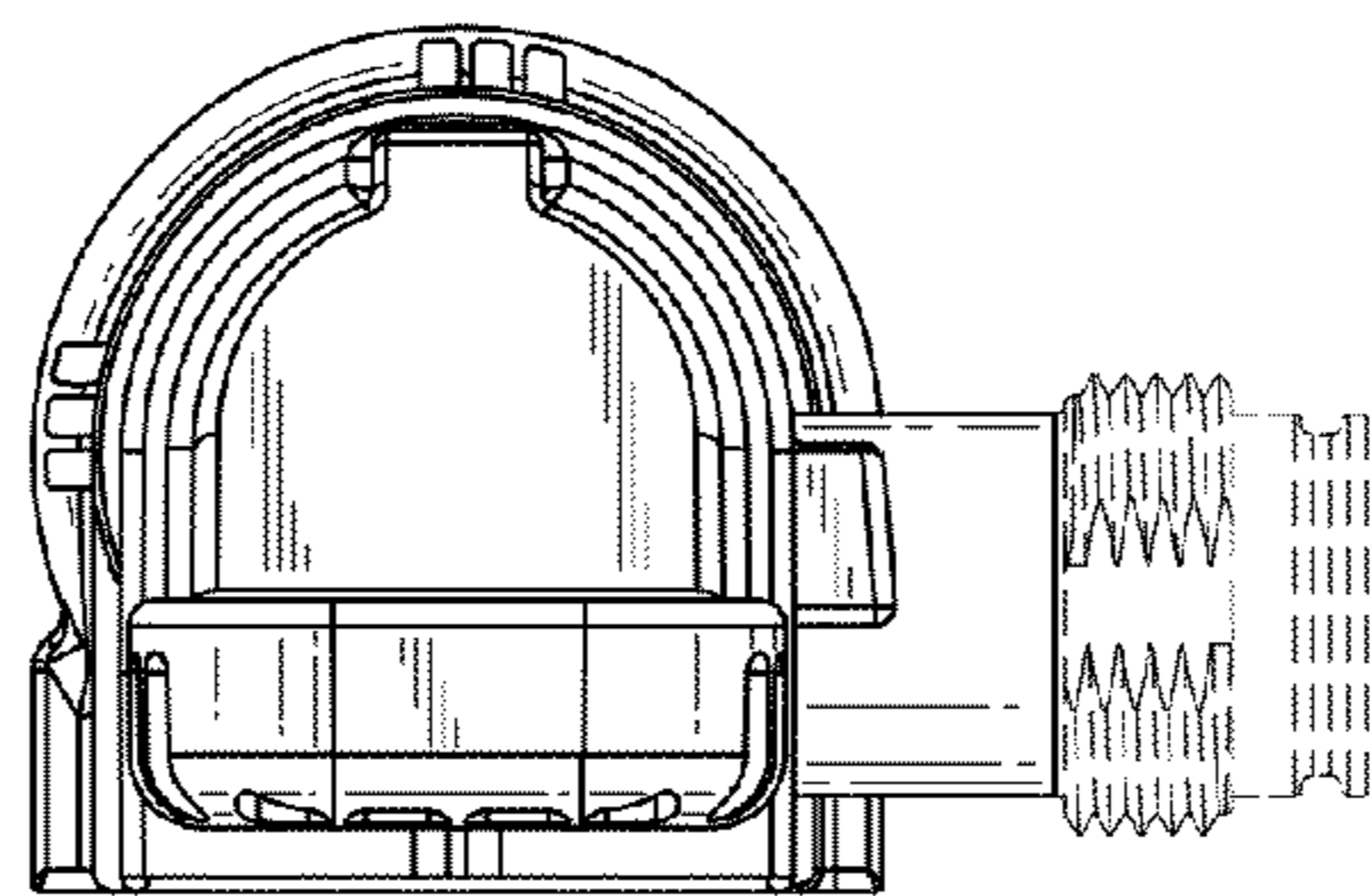


FIG. 7

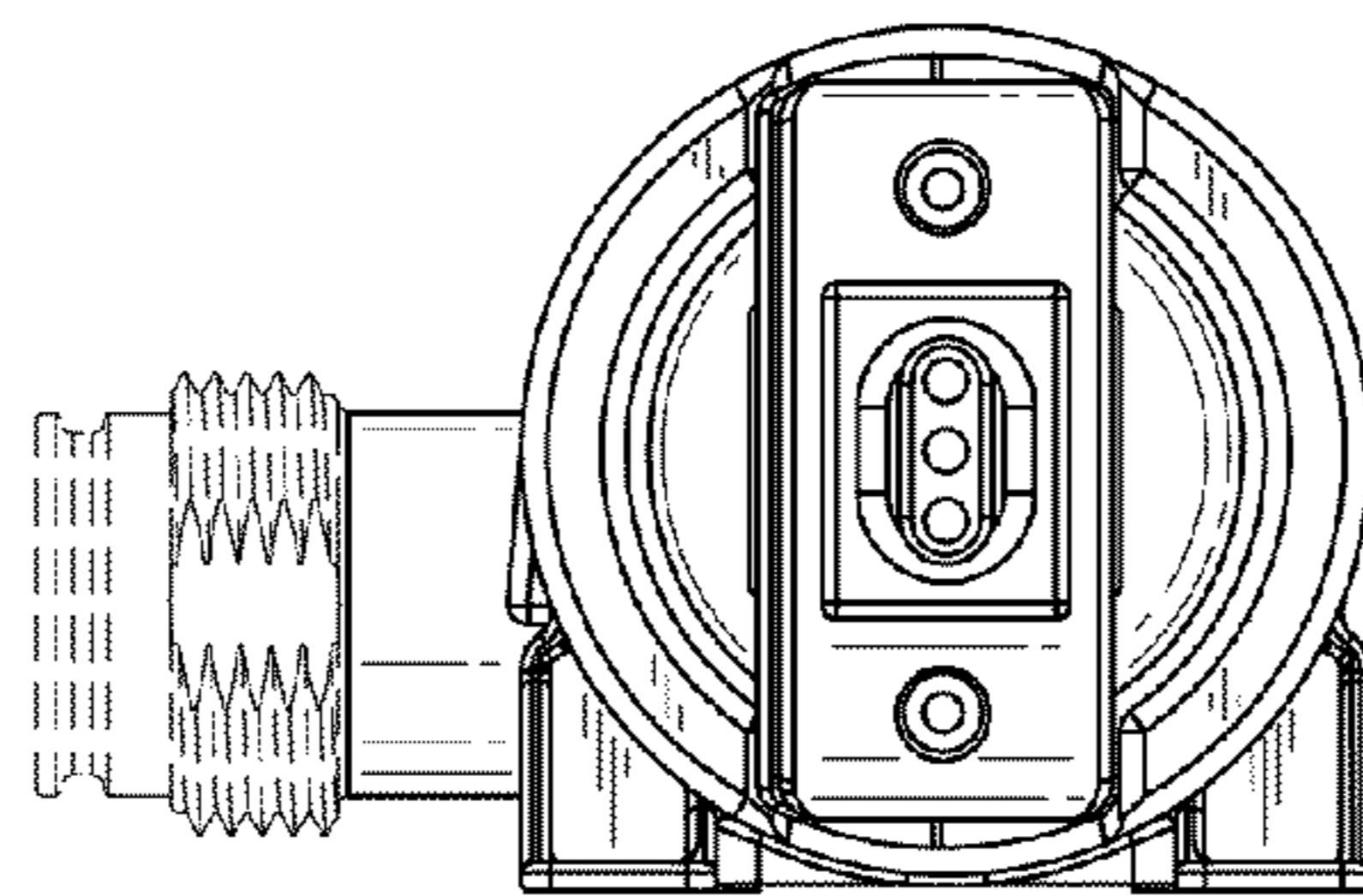


FIG. 8