



US00D735222S

(12) **United States Design Patent**
Ebtekar et al.

(10) **Patent No.:** **US D735,222 S**
(45) **Date of Patent:** **** Jul. 28, 2015**

(54) **DISPLAY SCREEN WITH A GRAPHICAL USER INTERFACE**

(71) Applicant: **CISCO TECHNOLOGY, INC.**, San Jose, CA (US)

(72) Inventors: **Ali Ebtekar**, Palo Alto, CA (US); **Xiaoyuan Dai**, Shanghai (CN); **Min Jung Chu**, San Ramon, CA (US); **Chang-Hung Chang**, San Jose, CA (US); **Mark S. Shurtleff**, Oakland, CA (US); **Haiyan Weng**, Shanghai (CN); **Shaolong Luo**, Shanghai (CN); **Jiang Wu**, Shanghai (CN)

(73) Assignee: **CISCO TECHNOLOGY, INC.**, San Jose, CA (US)

(**) Term: **14 Years**

(21) Appl. No.: **29/435,728**

(22) Filed: **Oct. 26, 2012**

(51) **LOC (10) Cl.** **14-04**

(52) **U.S. Cl.**
USPC **D14/486**

(58) **Field of Classification Search**
USPC D14/485-495; 715/700, 703, 711, 716, 715/719, 727, 740, 768, 772, 773, 779, 781, 715/810, 825, 828, 833, 835, 840, 856, 857, 715/859, 861, 864, 974, 975; 382/124
See application file for complete search history.

(56) **References Cited**

U.S. PATENT DOCUMENTS

D418,826 S *	1/2000	Pavely et al.	D14/486
D653,672 S *	2/2012	Friedlander	D14/487
D658,196 S *	4/2012	Wood et al.	D14/486
D664,562 S *	7/2012	McCain et al.	D14/489
D665,401 S *	8/2012	Rai et al.	D14/486
D667,023 S *	9/2012	Friedlander et al.	D14/487

D682,856 S *	5/2013	Friedlander et al.	D14/486
D682,857 S *	5/2013	Friedlander et al.	D14/486
D689,513 S *	9/2013	Pearcy et al.	D14/486
D691,626 S *	10/2013	Philopoulos	D14/486
D696,689 S *	12/2013	Lee et al.	D14/486
2014/0115471 A1 *	4/2014	Demkin et al.	715/719

OTHER PUBLICATIONS

Design U.S. Appl. No. 29/435,719, filed Oct. 26, 2012 entitled "User Interface System," Inventor(s): Ali Ebtekar, et al.
Design U.S. Appl. No. 29/435,723, filed Oct. 26, 2012 entitled "User Interface System," Inventor(s): Ali Ebtekar, et al.
Design U.S. Appl. No. 29/435,724, filed Oct. 26, 2012 entitled "User Interface System," Inventor(s): Ali Ebtekar, et al.

(Continued)

Primary Examiner — Angela J Lee

(74) *Attorney, Agent, or Firm* — Patent Capital Group

(57) **CLAIM**

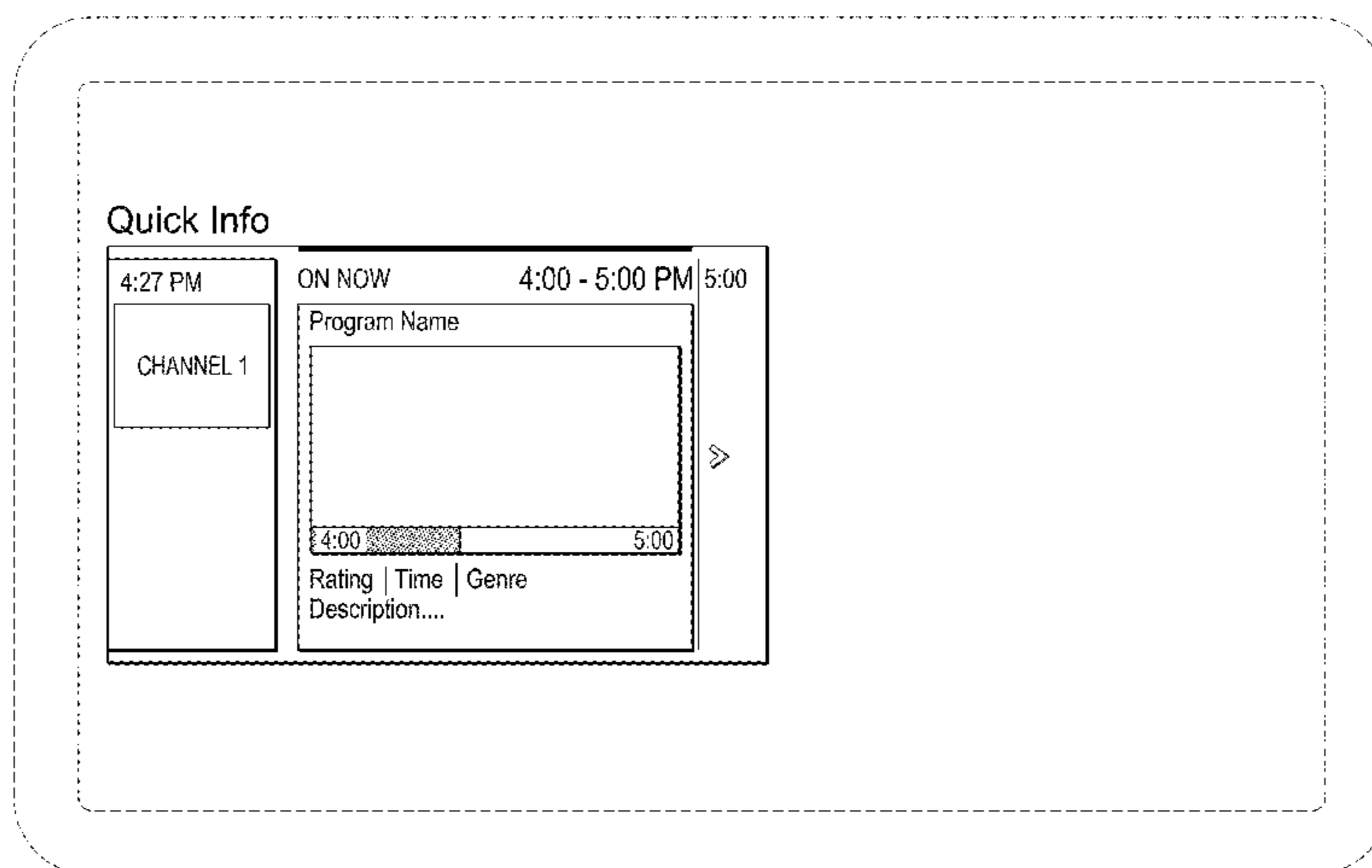
The ornamental design for a display screen with a graphical user interface, as shown and described.

DESCRIPTION

FIG. 1 is a front view a display screen with a graphical user interface design associated with a quick information panel configuration illustrating our design in a first state; FIG. 2 is a front view thereof illustrating our design in a second state; FIG. 3 is a front view thereof illustrating our design in a third state; FIG. 4 is a front view thereof illustrating our design in a fourth state; and, FIG. 5 is a front view thereof illustrating our design in a fifth state.

The broken lines are for illustration only. The broken lines and the unshaded regions bounded by broken lines of the preceding FIGURES illustrate boundaries and, therefore, form no part of the claimed design.

1 Claim, 5 Drawing Sheets



(56)

References Cited

OTHER PUBLICATIONS

Design U.S. Appl. No. 29/435,726, filed Oct. 26, 2012 entitled "User Interface System," Inventor(s): Ali Ebtekar, et al.

Design U.S. Appl. No. 29/435,730, filed Oct. 26, 2012 entitled "User Interface System," Inventor(s): Ali Ebtekar, et al.

* cited by examiner

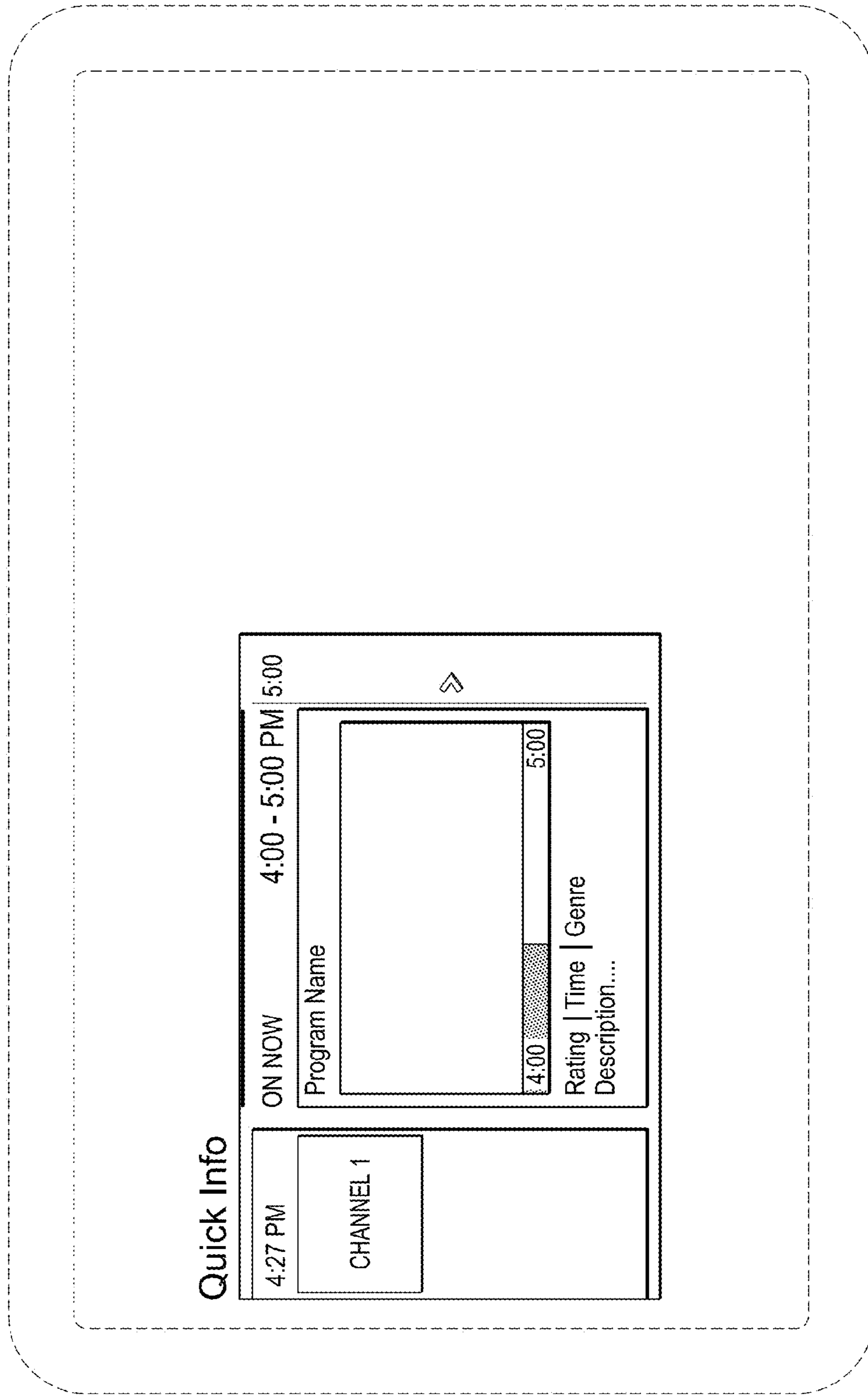


FIG. 1

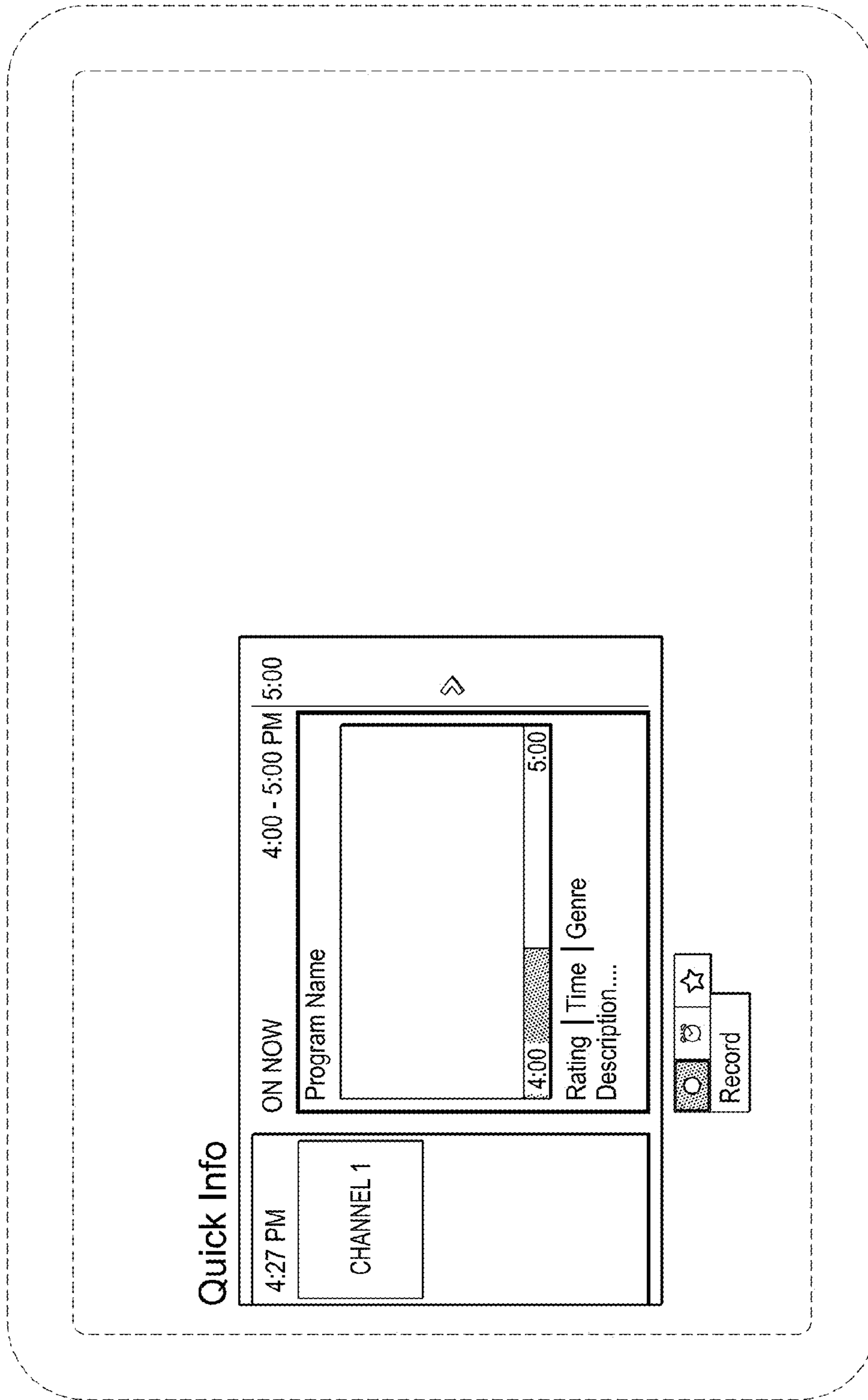


FIG. 2

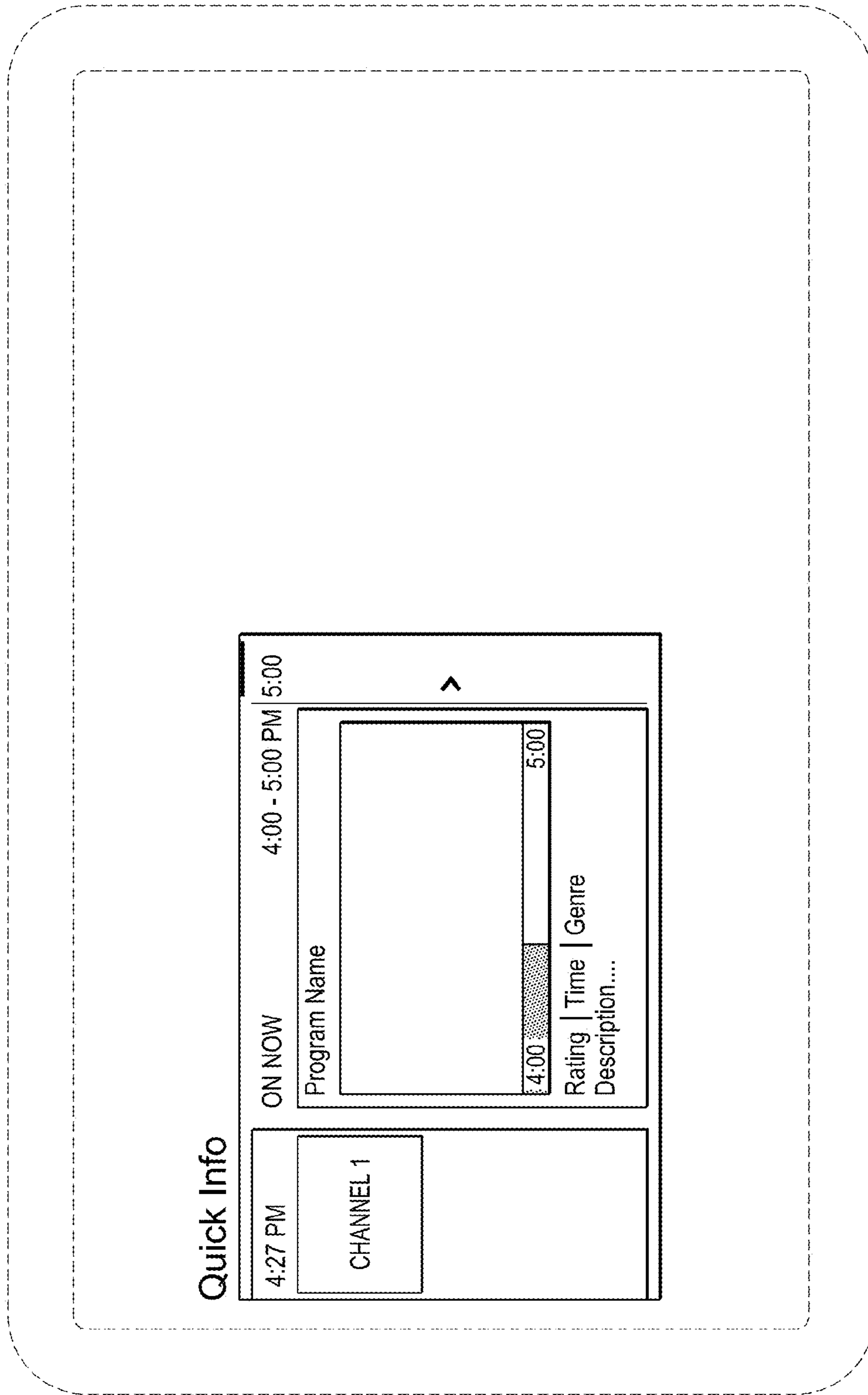


FIG. 3

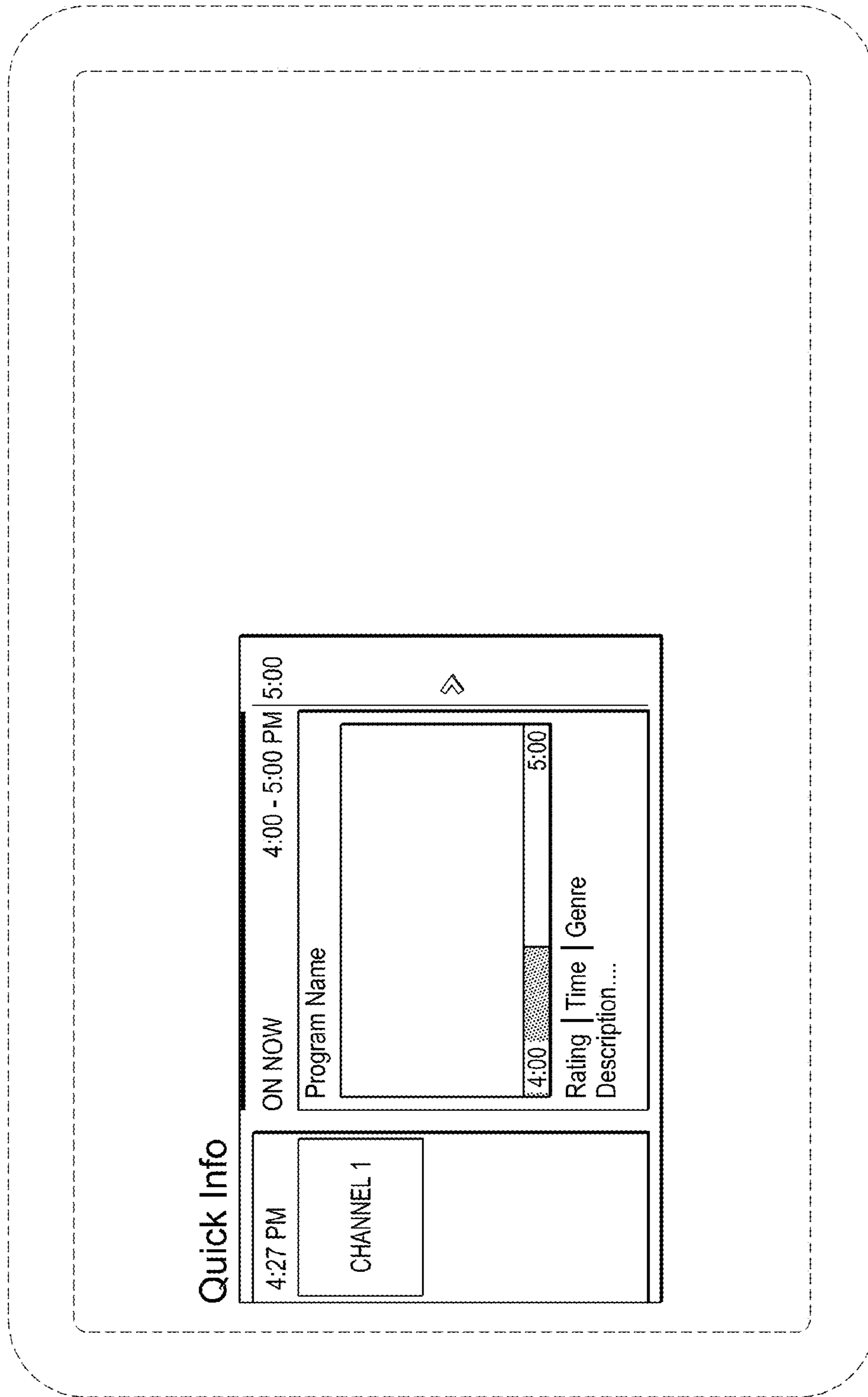


FIG. 4

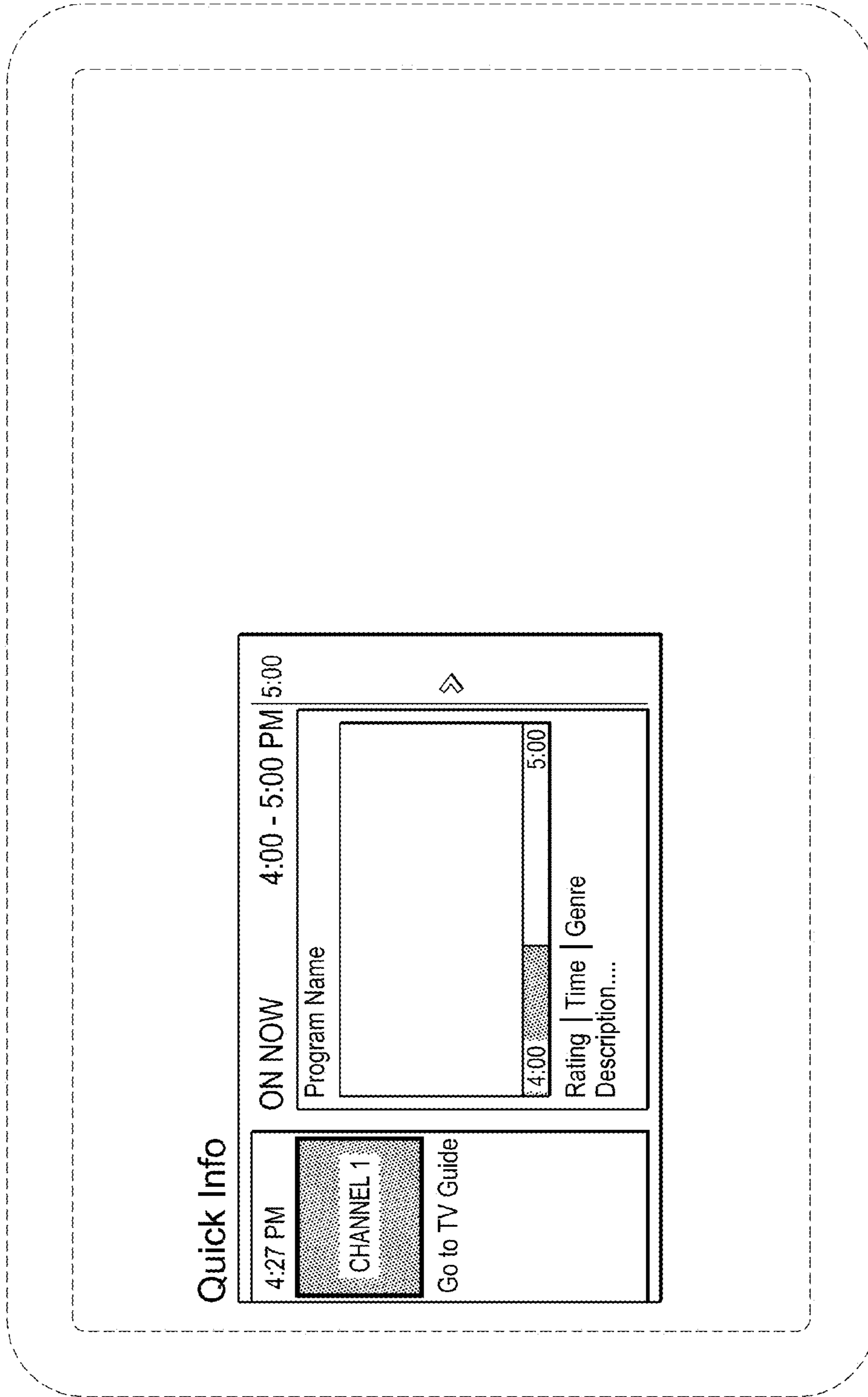


FIG. 5