



US00D735212S

(12) **United States Design Patent**
Son

(10) **Patent No.:** **US D735,212 S**
(45) **Date of Patent:** **** Jul. 28, 2015**

(54) **WIRELESS KEYBOARD**

(71) Applicant: **Samsung Electronics Co., Ltd.**,
Suwon-si (KR)

(72) Inventor: **Hyunkeun Son**, Seoul (KR)

(73) Assignee: **Samsung Electronics Co., Ltd.**,
Suwon-si (KR)

(**) Term: **14 Years**

(21) Appl. No.: **29/484,532**

(22) Filed: **Mar. 11, 2014**

(30) **Foreign Application Priority Data**

Sep. 13, 2013 (KR) 30-2013-0047525

(51) **LOC (10) Cl.** **14-02**

(52) **U.S. Cl.**
USPC **D14/456**

(58) **Field of Classification Search**

USPC D14/315-327, 391-399, 455, 456;
D18/1, 2, 7, 11; 235/145 A, 145 R;
341/22, 23; 345/104, 156, 168, 169,
345/173; 361/679.08, 679.09, 679.11,
361/679.26, 679.27; 200/5 A, 5 R, 6 A, 6 R;
400/484-489, 492, 472

CPC G06F 1/16; H01R 35/02; H03M 11/00;
G09B 13/04; H03K 17/94

See application file for complete search history.

(56) **References Cited**

U.S. PATENT DOCUMENTS

D282,474 S * 2/1986 Sparks et al. D18/12
5,847,337 A * 12/1998 Chen 200/5 A

D442,177 S * 5/2001 Chang et al. D14/392
6,259,049 B1 * 7/2001 Nakai 200/341
D525,980 S * 8/2006 Wang et al. D14/456
D645,860 S * 9/2011 Andre et al. D14/318
D653,665 S * 2/2012 Maruyama D14/392

* cited by examiner

Primary Examiner — Freda S Nunn

(74) *Attorney, Agent, or Firm* — NSIP Law

(57) **CLAIM**

I claim the ornamental design for a wireless keyboard, as shown and described.

DESCRIPTION

FIG. 1 is a front perspective view of a wireless keyboard showing my new design;

FIG. 2 is a front view thereof;

FIG. 3 is a rear view thereof;

FIG. 4 is a left-side view thereof;

FIG. 5 is a right-side view thereof;

FIG. 6 is a top view thereof;

FIG. 7 is a bottom view thereof;

FIG. 8 is a rear perspective view thereof;

FIG. 9 is a bottom perspective view thereof; and,

FIG. 10 is an enlarged view of the encircled portion in FIG. 1; and,

FIG. 11 is an enlarged view of the encircled portion in FIG. 6. The evenly spaced broken lines immediately adjacent the solid lines in the figures represent the bounds of the claimed design while all other evenly spaced broken lines are directed to environment and are for illustrative purposes only; the evenly spaced broken lines form no part of the claimed design.

The dot-dot-dash broken lines encircling portions of the claimed design that are illustrated in enlargements form no part of the claimed design.

1 Claim, 11 Drawing Sheets

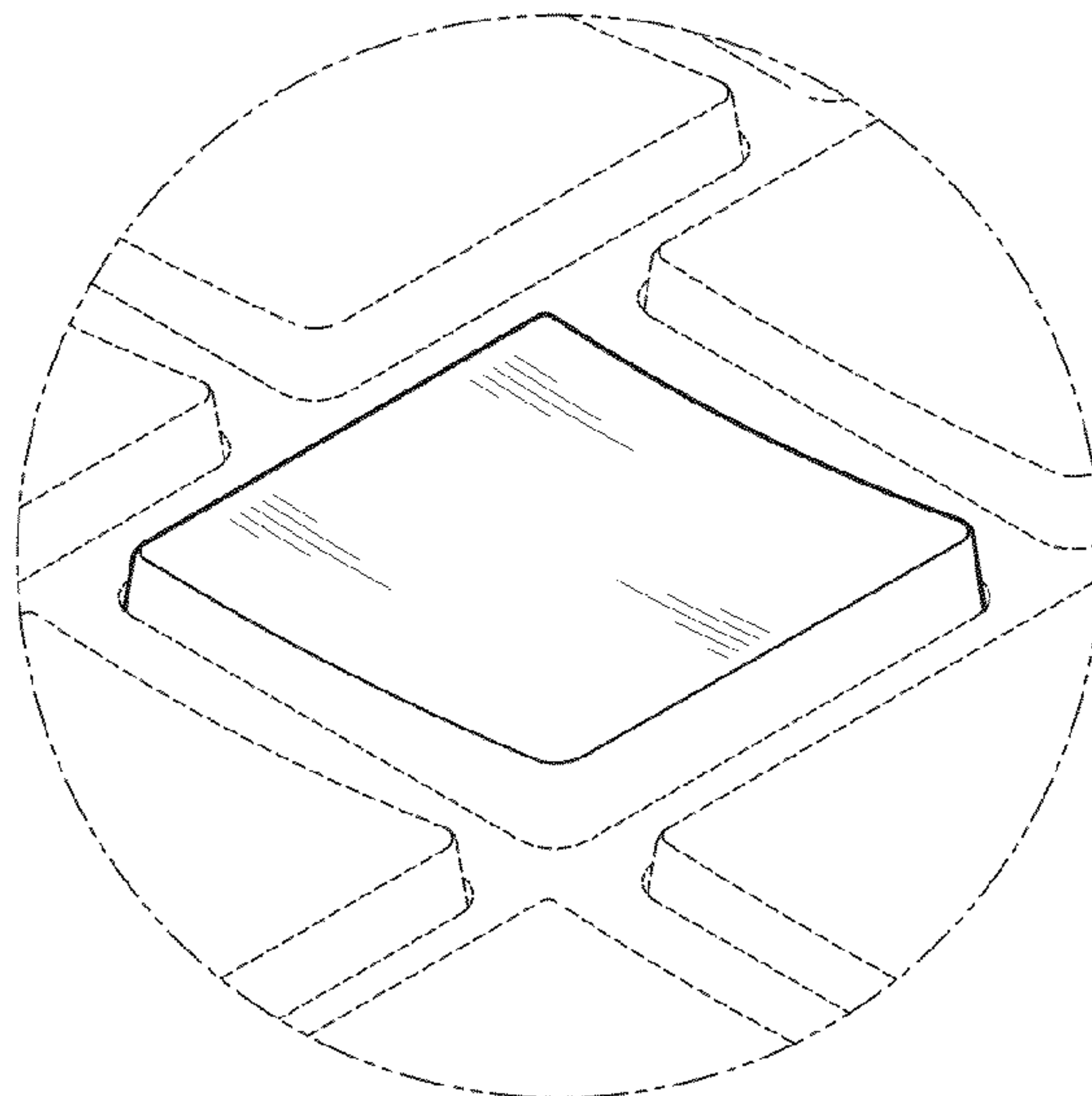


FIG. 1

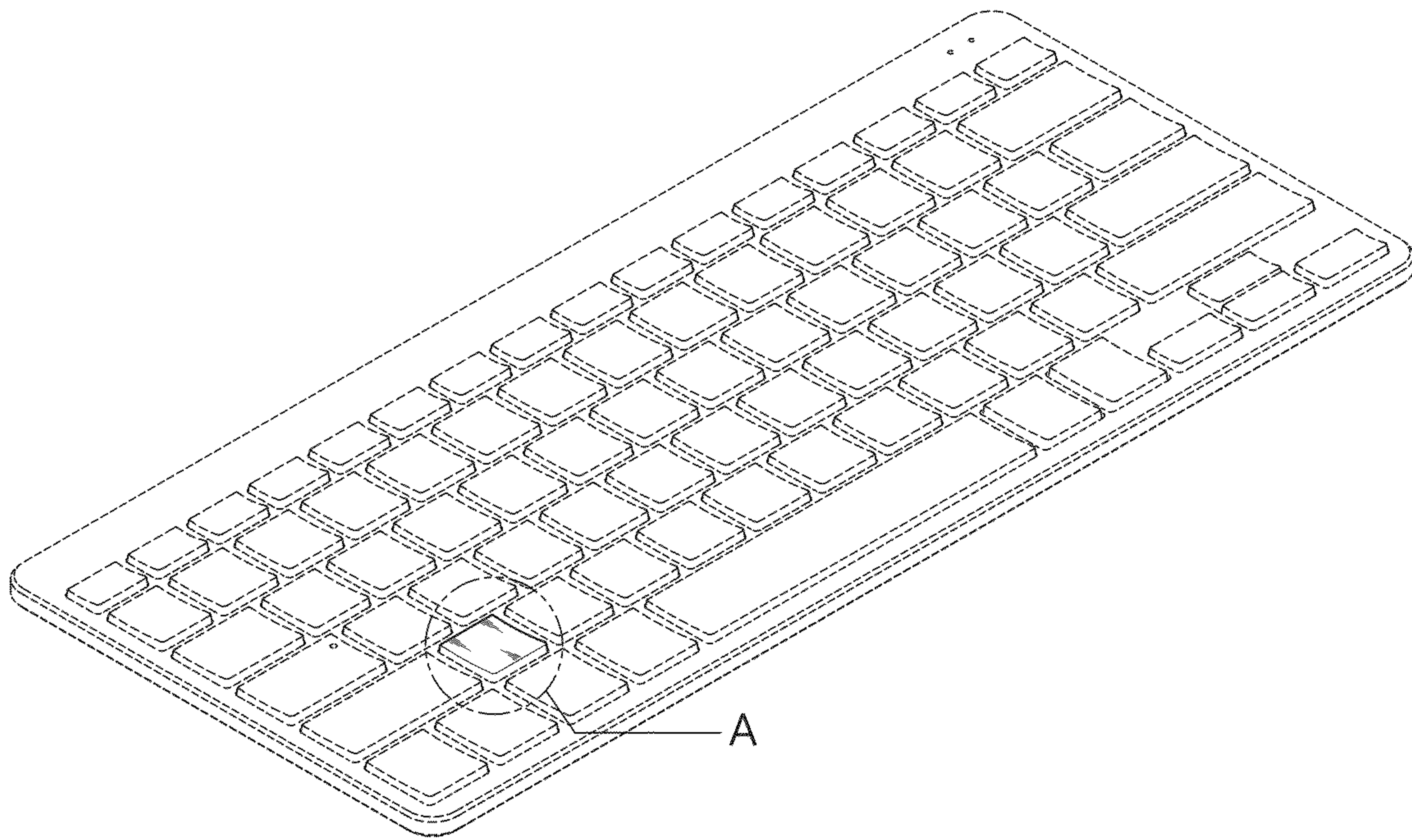


FIG. 2

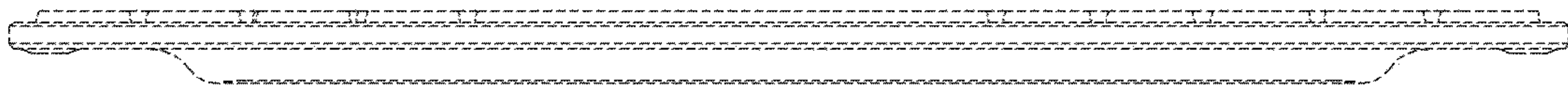


FIG. 3



FIG. 4

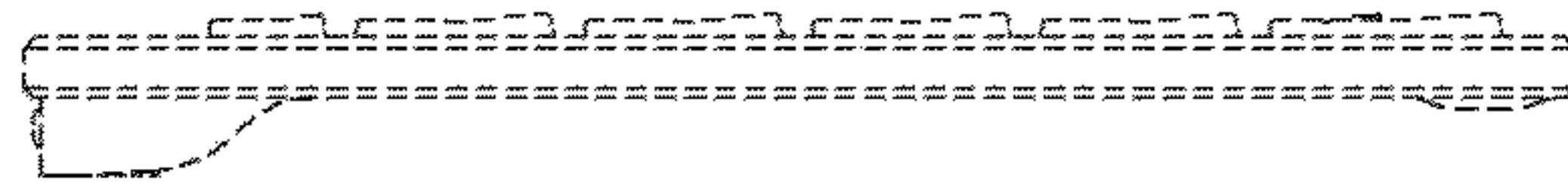


FIG. 5

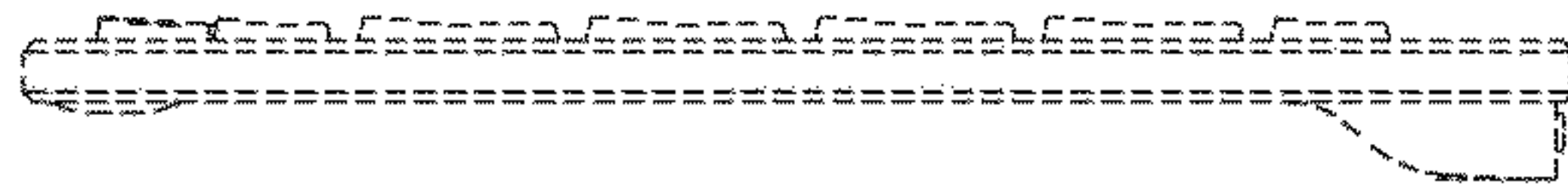


FIG. 6

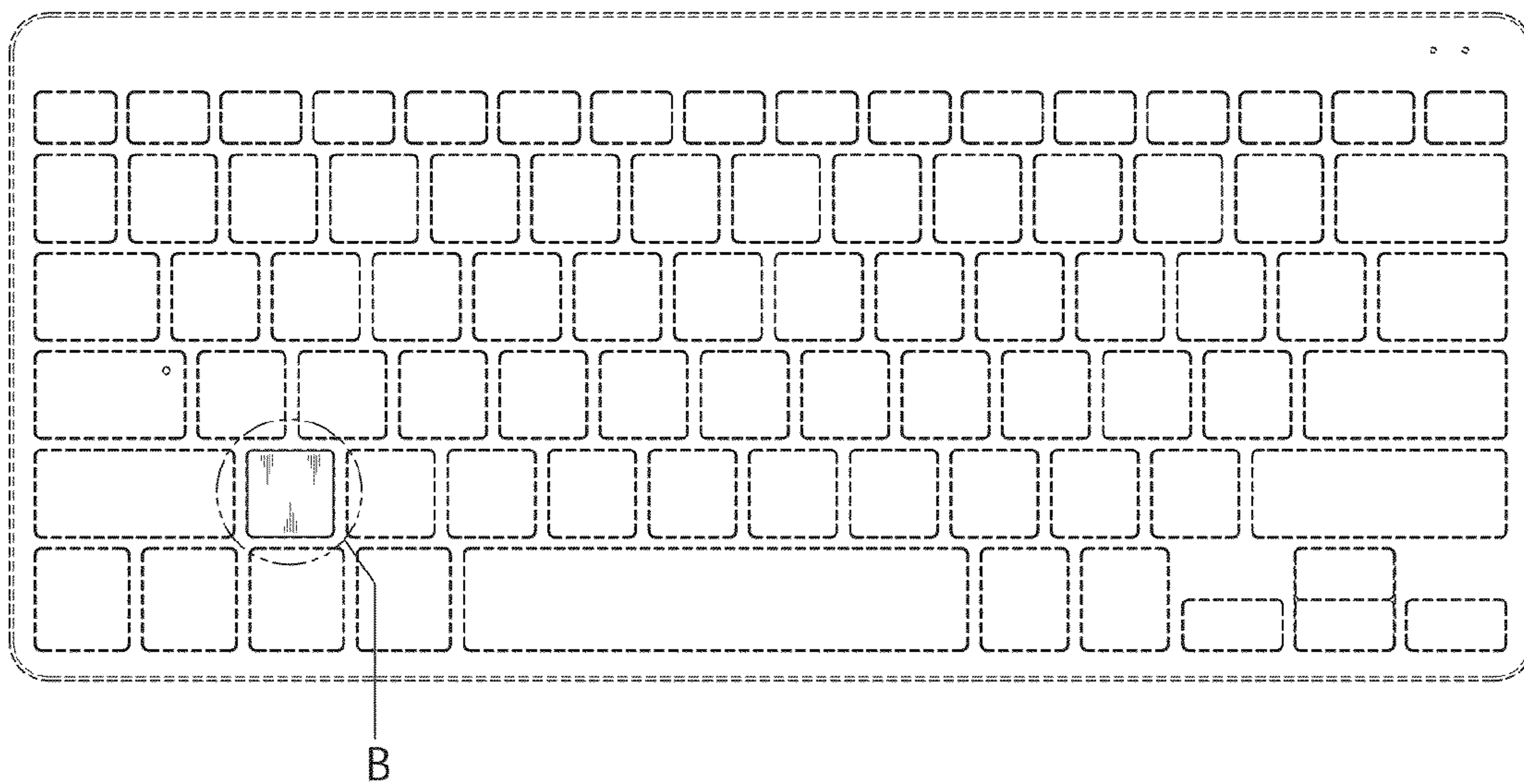


FIG. 7

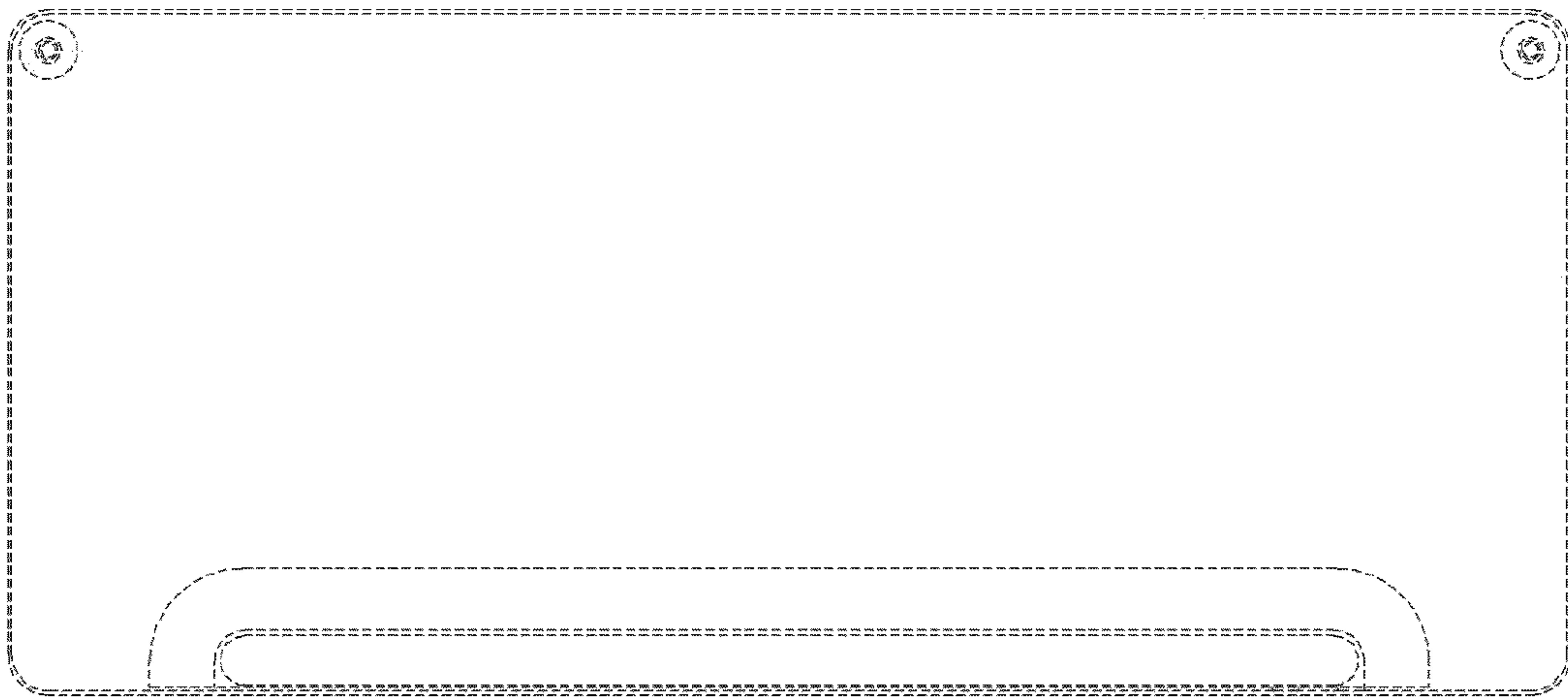


FIG. 8

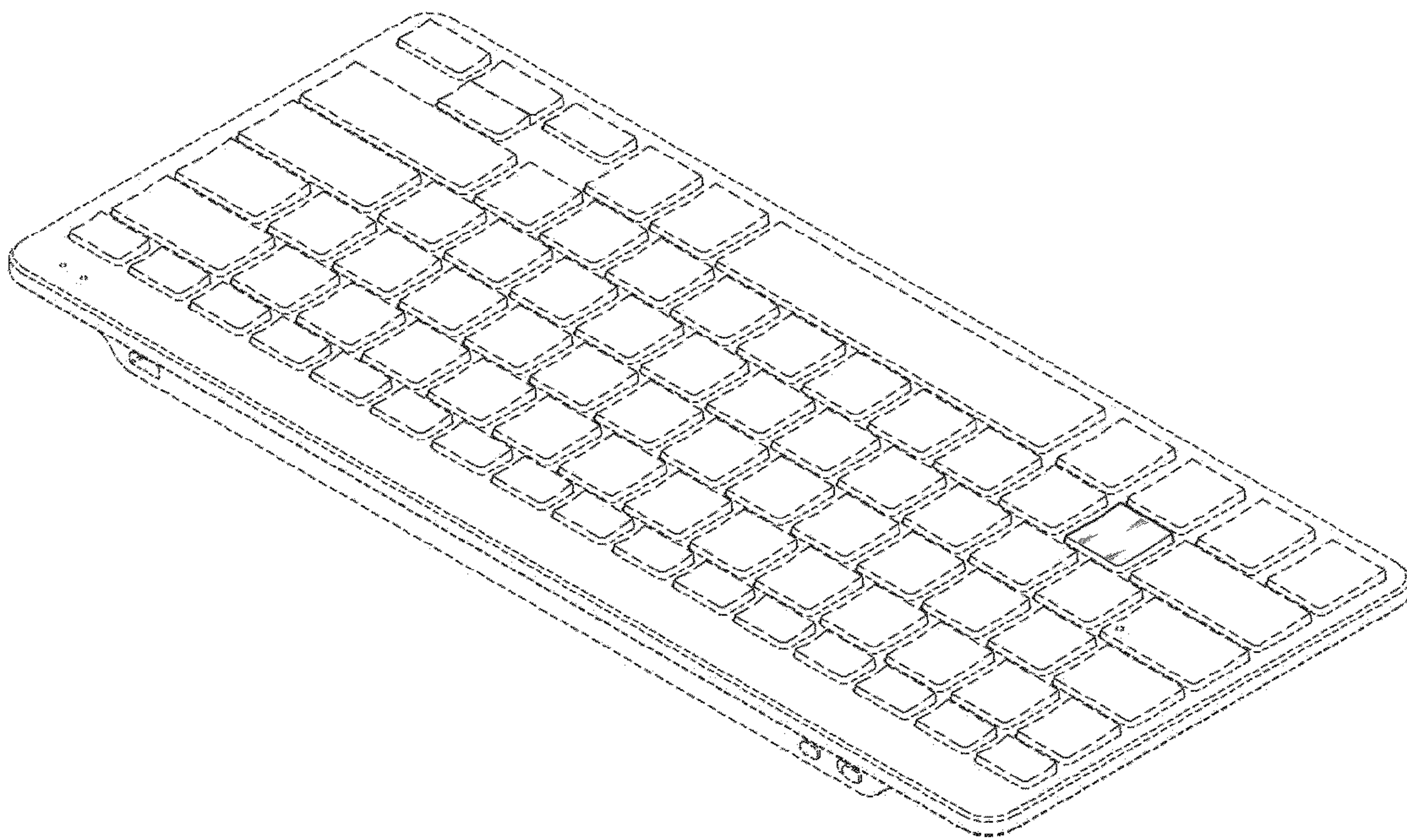


FIG. 9

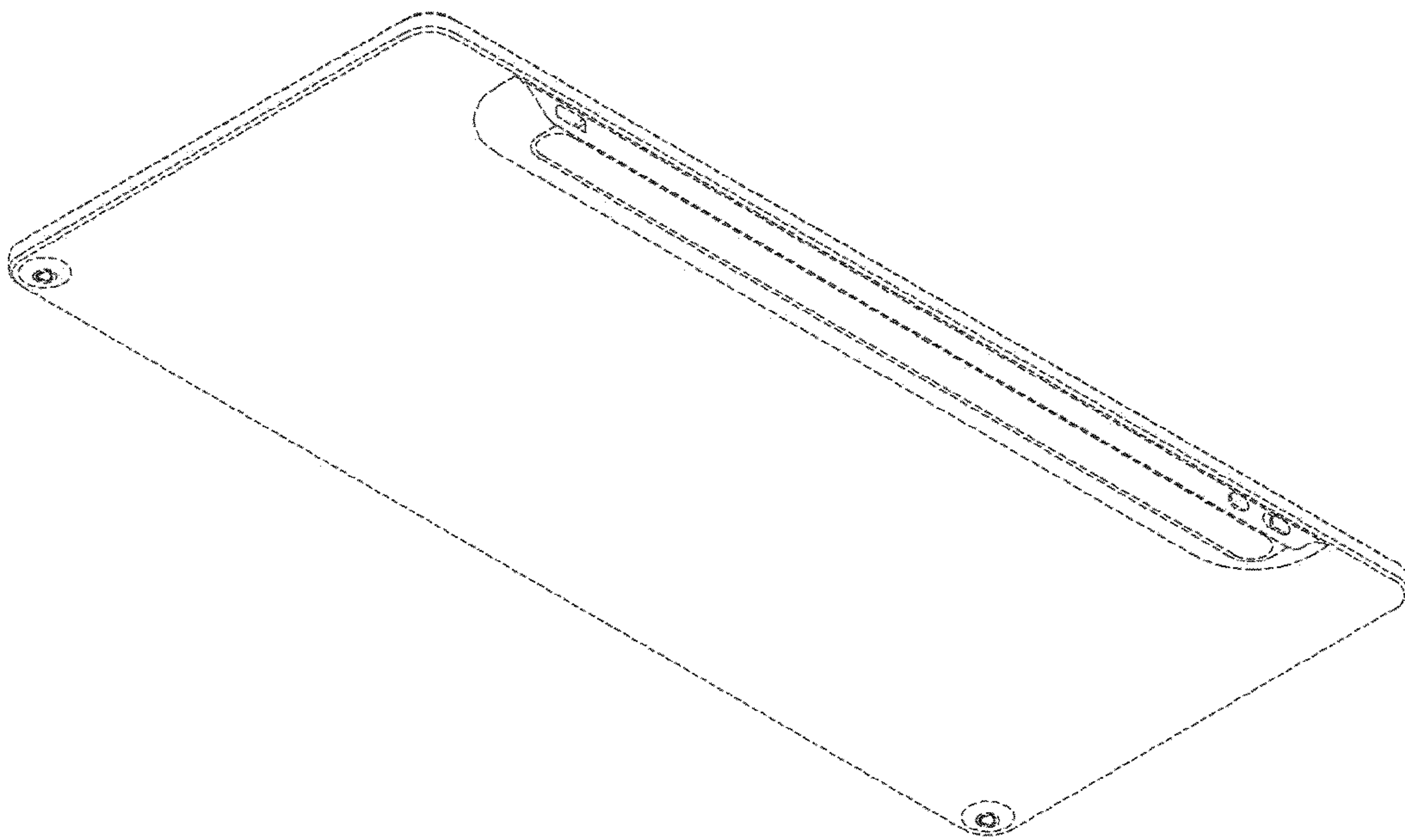


FIG. 10

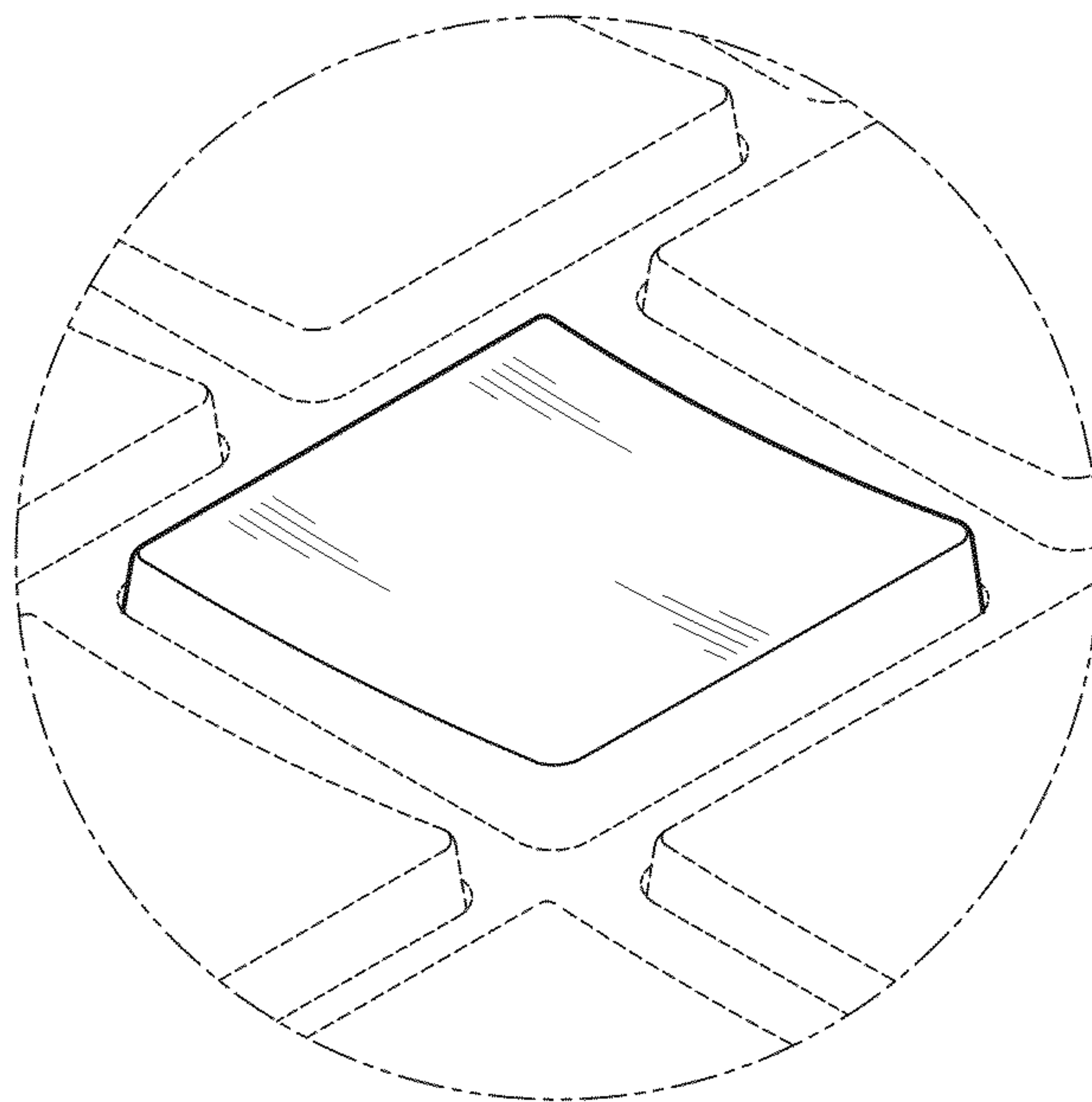


FIG. 11

