



US00D735211S

(12) **United States Design Patent**
Itano et al.

(10) **Patent No.:** **US D735,211 S**
(45) **Date of Patent:** **** Jul. 28, 2015**

(54) **KEYBOARD**

(71) Applicant: **FUJITSU LIMITED**, Kawasaki-shi,
Kanagawa (JP)

(72) Inventors: **Ichiro Itano**, Chigasaki (JP); **Kentaro Ohki**, Yokohama (JP)

(73) Assignee: **FUJITSU LIMITED**, Kawasaki (JP)

(**) Term: **14 Years**

(21) Appl. No.: **29/485,692**

(22) Filed: **Mar. 21, 2014**

(30) **Foreign Application Priority Data**

Sep. 27, 2013 (JP) 2013-022524

(51) **LOC (10) Cl.** **14-02**

(52) **U.S. Cl.**
USPC **D14/455**; D14/318

(58) **Field of Classification Search**

USPC D14/315, 318, 391-399, 455, 456;
D18/1, 2, 7, 11; 178/17 A, 17 C;
200/5 A, 5 R, 6 A, 6 R; 235/145 A, 145 R;
341/20-23; 345/156, 160, 168, 169,
345/173; 361/679.08, 679.09,
361/679.11-679.19; 400/484-489, 492,
400/472

CPC G06F 1/16; G06F 1/1616; G06F 1/162;
G06F 1/1601; G06F 1/1626; G09B 13/04;
H03M 11/00; H03K 17/94; H05K 5/00

See application file for complete search history.

(56) **References Cited**

U.S. PATENT DOCUMENTS

D319,632 S * 9/1991 Heimburger D14/398
D404,392 S * 1/1999 Inbal et al. D14/392

(Continued)

OTHER PUBLICATIONS

Office Action mailed Jan. 10, 2014 in corresponding Japanese Design
Application No. 2013-022524.

Primary Examiner — Freda S Nunn

(74) *Attorney, Agent, or Firm* — Staas & Halsey LLP

(57) **CLAIM**

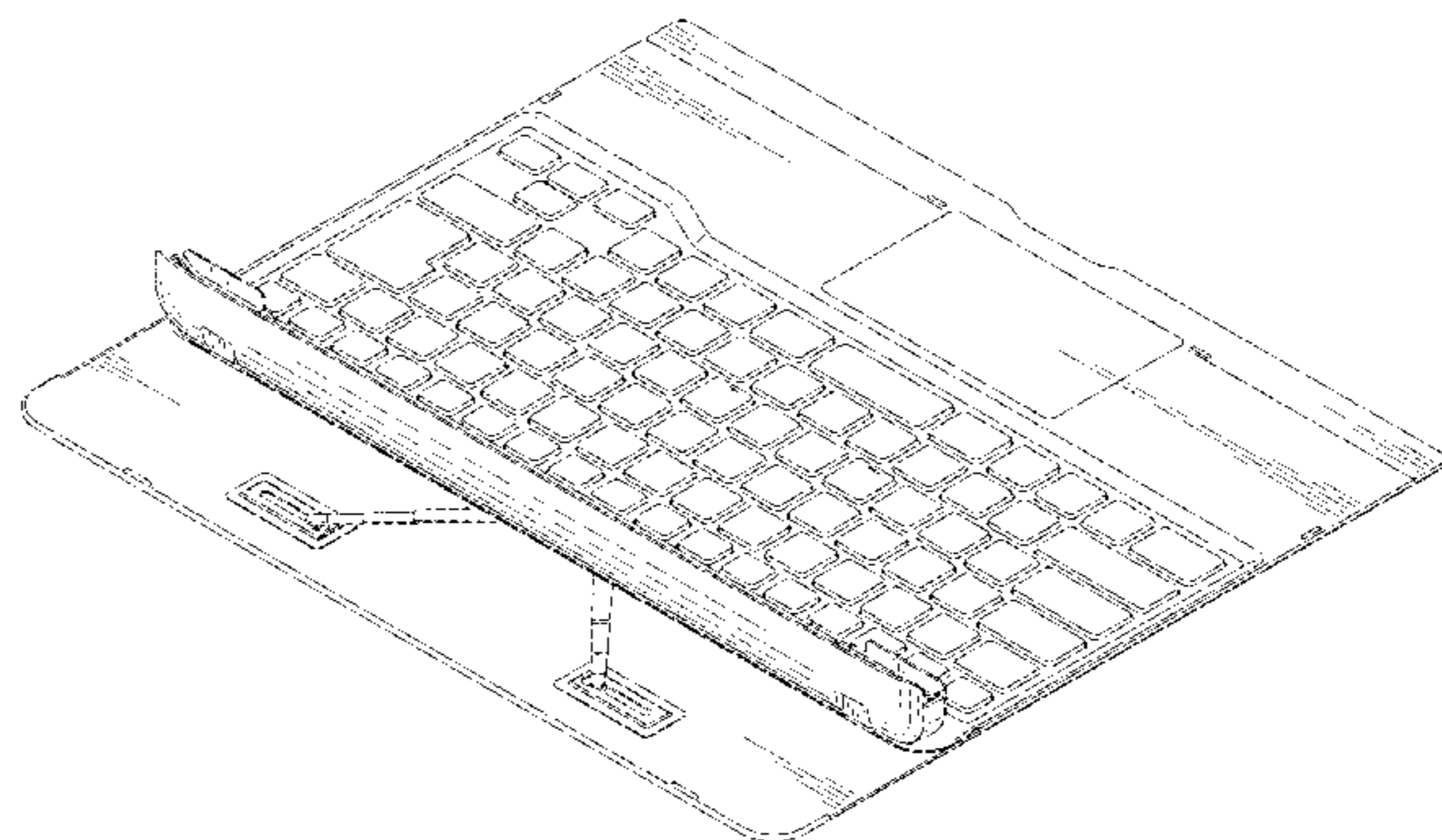
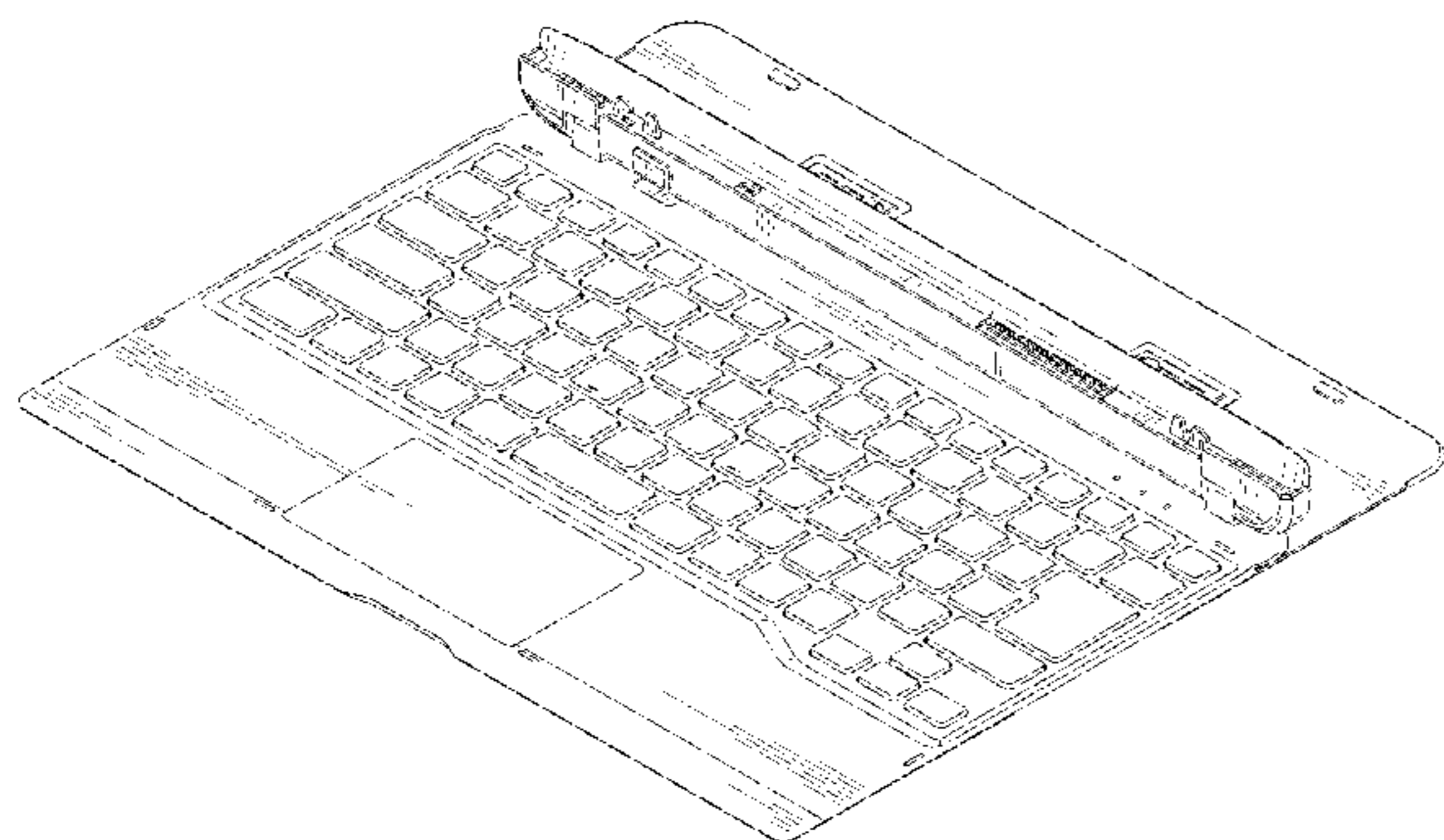
The ornamental design for a keyboard, as shown and described.

DESCRIPTION

FIG. 1 is a perspective view of front, top and right side of a keyboard showing our new design;
FIG. 2 is a perspective view of rear, top and left side thereof;
FIG. 3 is a front view thereof;
FIG. 4 is a rear view thereof;
FIG. 5 is a left side view thereof;
FIG. 6 is a right side view thereof;
FIG. 7 is a top view thereof;
FIG. 8 is a bottom view thereof;
FIG. 9 is a perspective view thereof showing an intermediate state that a stand is housed;
FIG. 10 is a perspective view thereof showing an intermediate state that a stand is housed;
FIG. 11 is a perspective view thereof showing a final state that a stand is housed;
FIG. 12 is a perspective view thereof showing a final state that a stand is housed;
FIG. 13 is a perspective view thereof showing a state that a tablet-attaching-part is closed;
FIG. 14 is a perspective view thereof showing a state that a tablet-attaching-part is closed;
FIG. 15 is a perspective view thereof showing a state that a tablet is attached;
FIG. 16 is a perspective view thereof showing a state that a tablet is attached;
FIG. 17 is a perspective view thereof showing a state that a tablet is attached and an intermediate state that a stand is housed;
FIG. 18 is a perspective view thereof showing a state that a tablet is attached and an intermediate state that a stand is housed;
FIG. 19 is a perspective view thereof showing a final state that a tablet is attached and a stand is housed;
FIG. 20 is a perspective view thereof showing a final state that a tablet is attached and a stand is housed;
FIG. 21 is a perspective view thereof showing a state that a tablet is attached and closed; and,
FIG. 22 is a perspective view thereof showing a state that a tablet is attached and closed.

The broken lines shown are included for the purpose of illustrating the unclaimed portions of a keyboard and form no part of the claimed design.

1 Claim, 20 Drawing Sheets



(56)

References Cited

U.S. PATENT DOCUMENTS

D460,070 S * 7/2002 Chang D14/392
6,937,468 B2 * 8/2005 Lin et al. 361/679.41
D658,177 S * 4/2012 Song et al. D14/392
8,599,542 B1 * 12/2013 Healey et al. 361/679.17

D701,214 S * 3/2014 Gengler D14/447
2012/0066424 A1 * 3/2012 Gentil 710/303
2013/0039000 A1 * 2/2013 Vicente et al. 361/679.41
2013/0155583 A1 * 6/2013 Yang et al. 361/679.01
2014/0002974 A1 * 1/2014 Kuo et al. 361/679.01

* cited by examiner

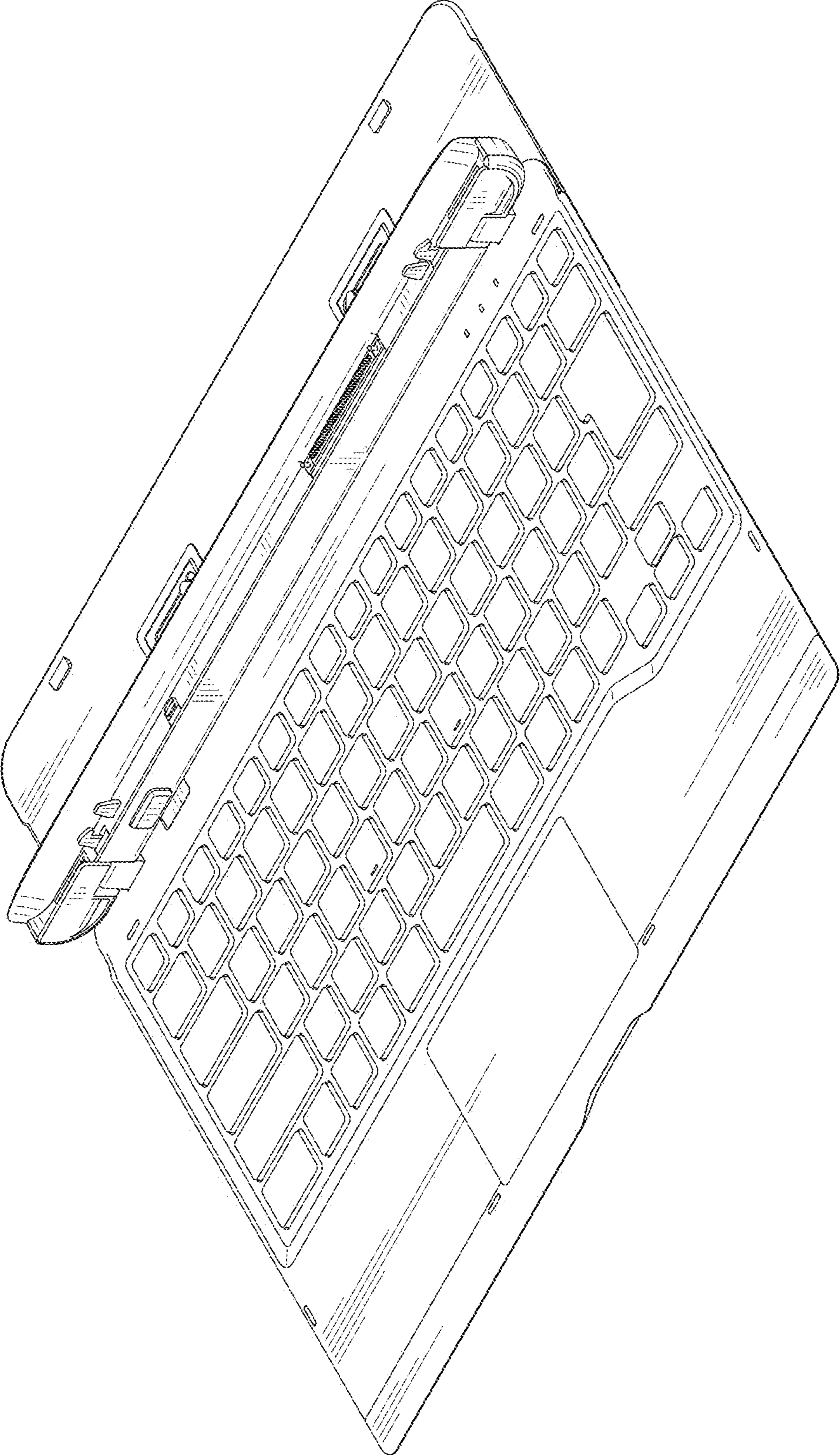


FIG. 1

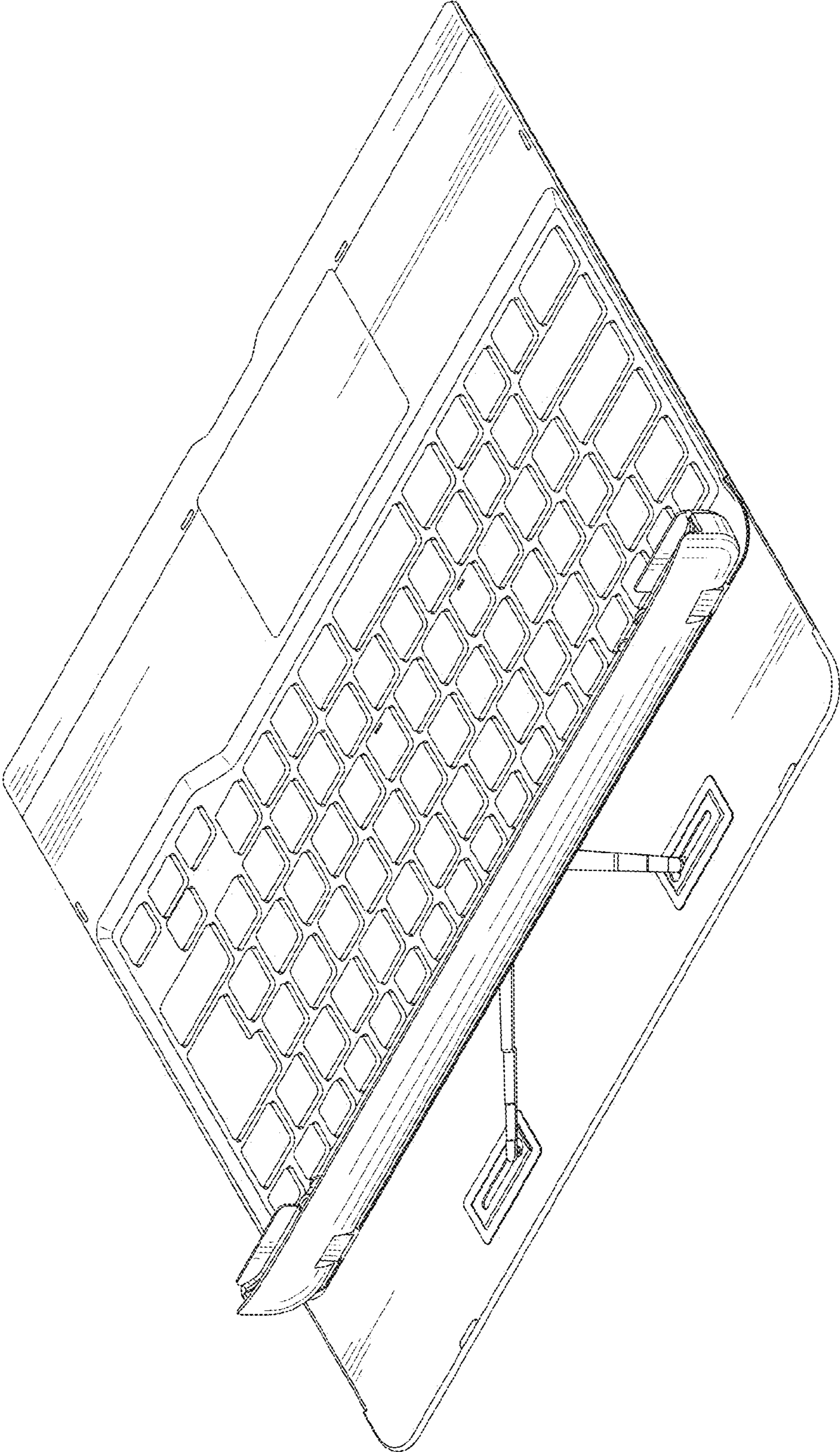


FIG. 2

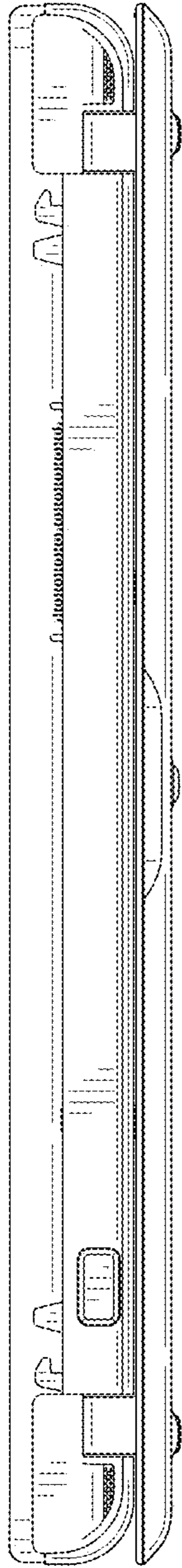


FIG. 3

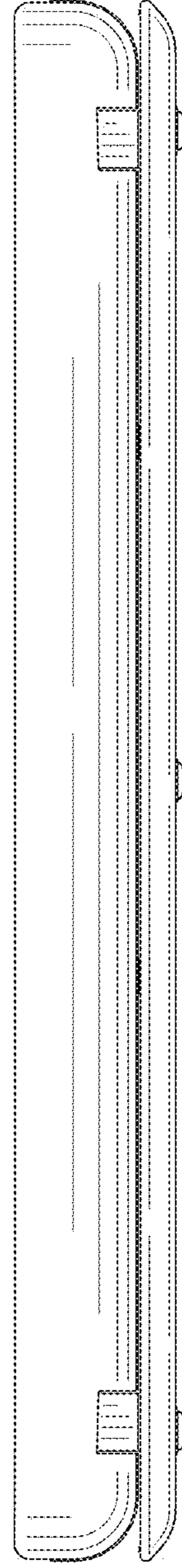


FIG. 4

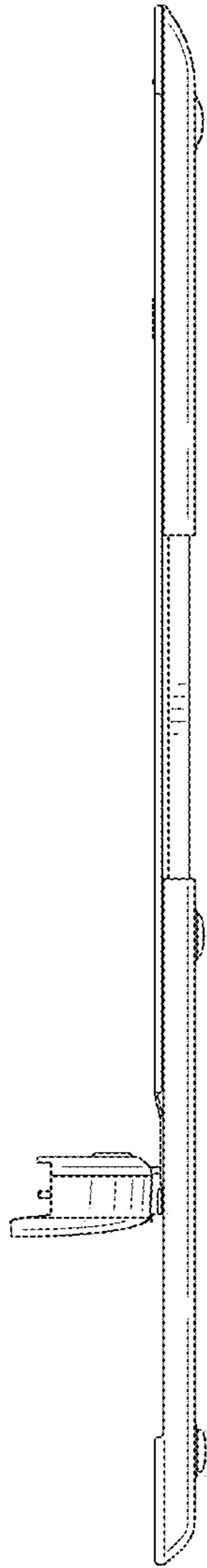


FIG. 5

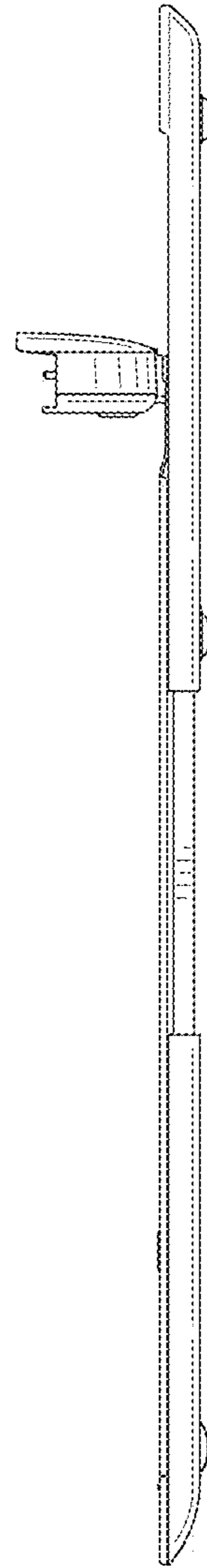


FIG. 6

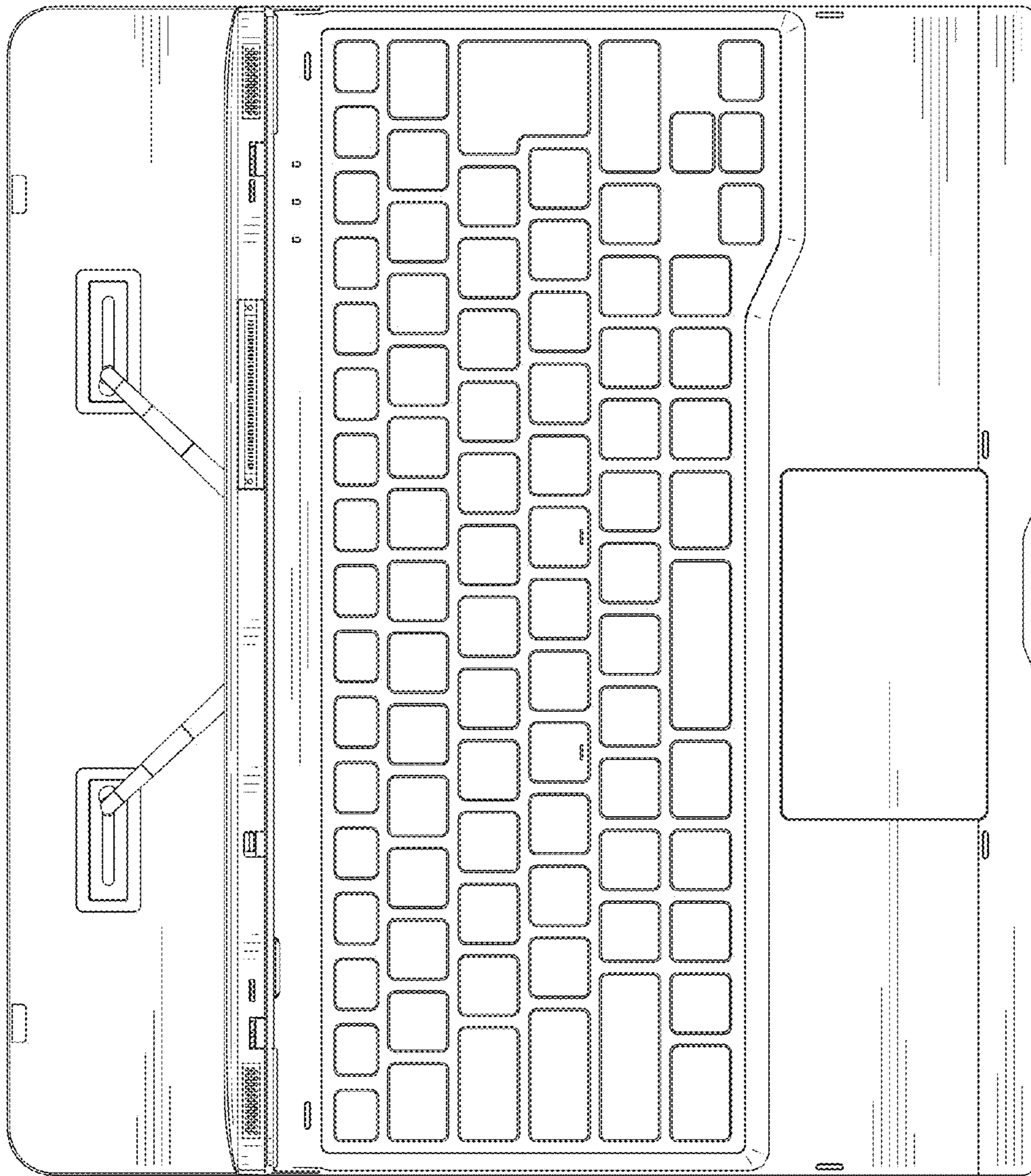


FIG. 7

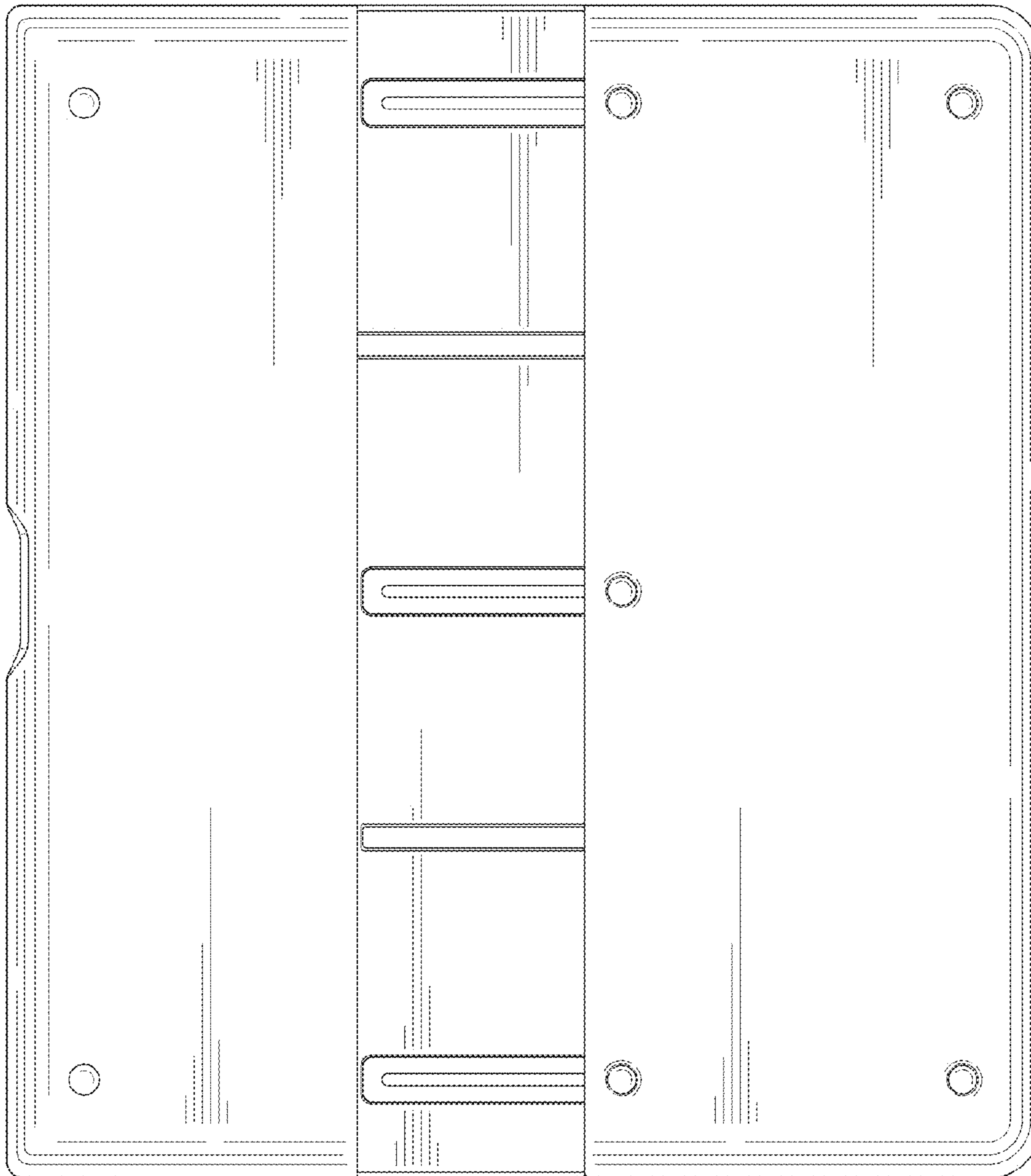


FIG. 8

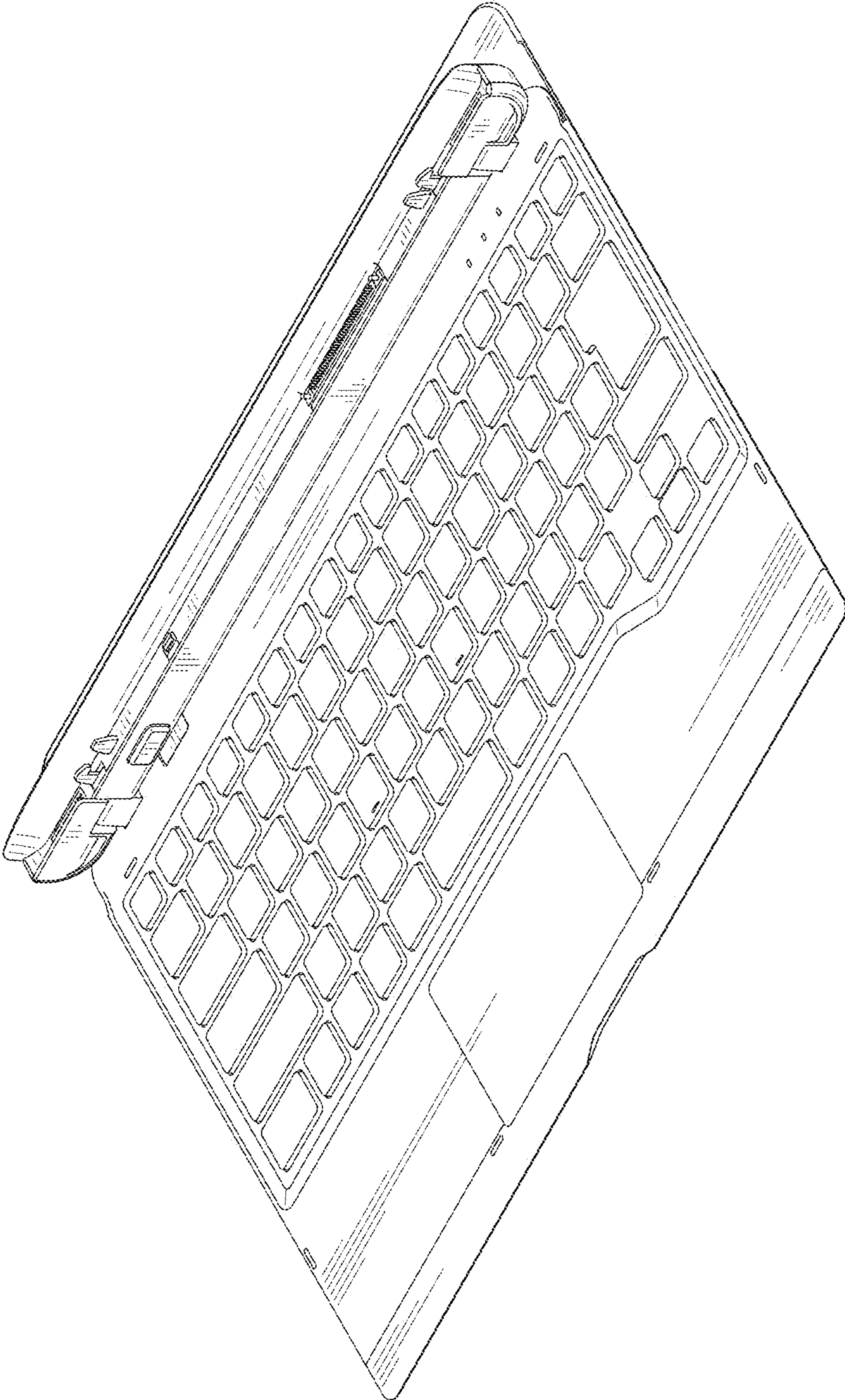


FIG. 9

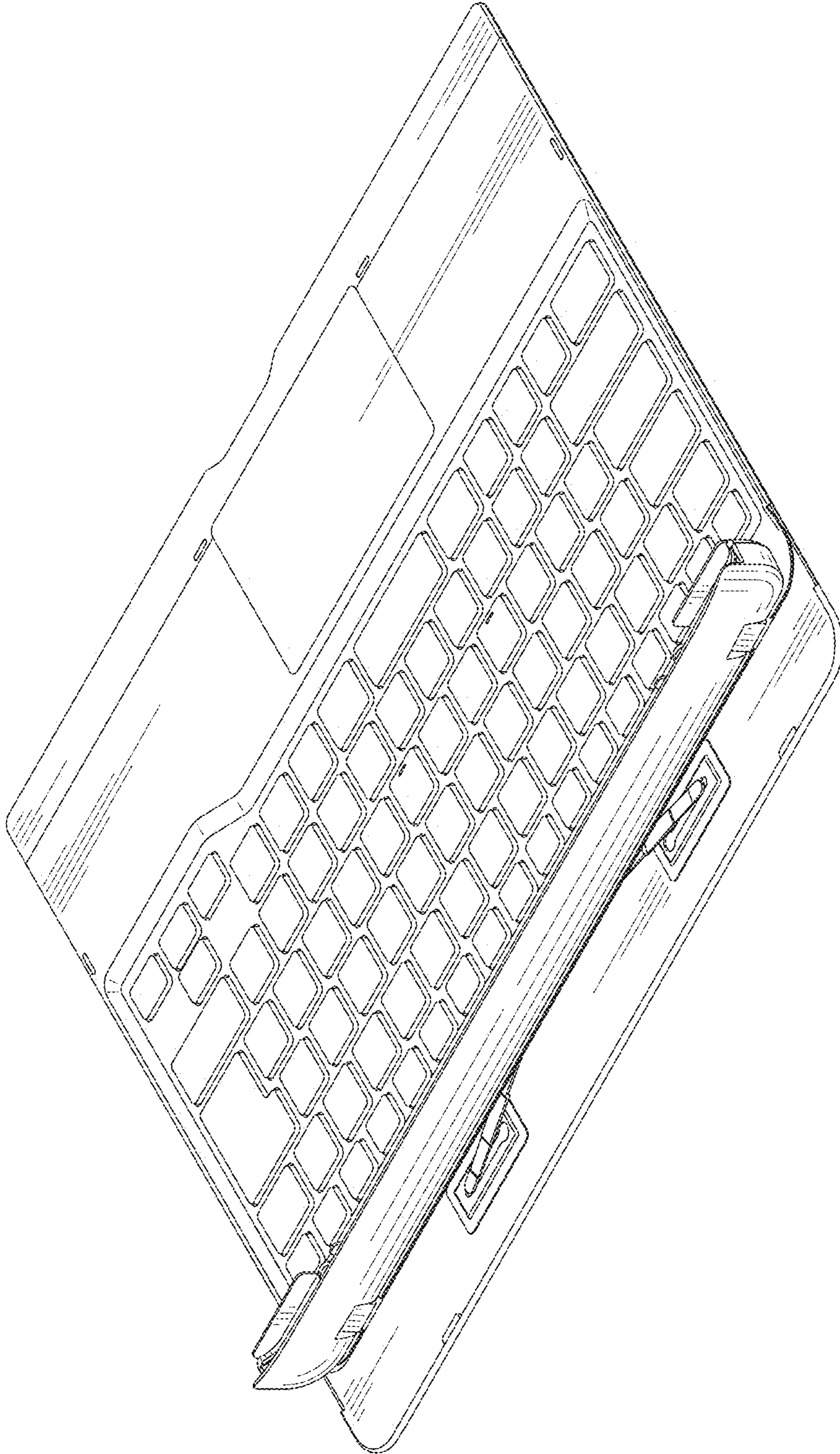


FIG. 10

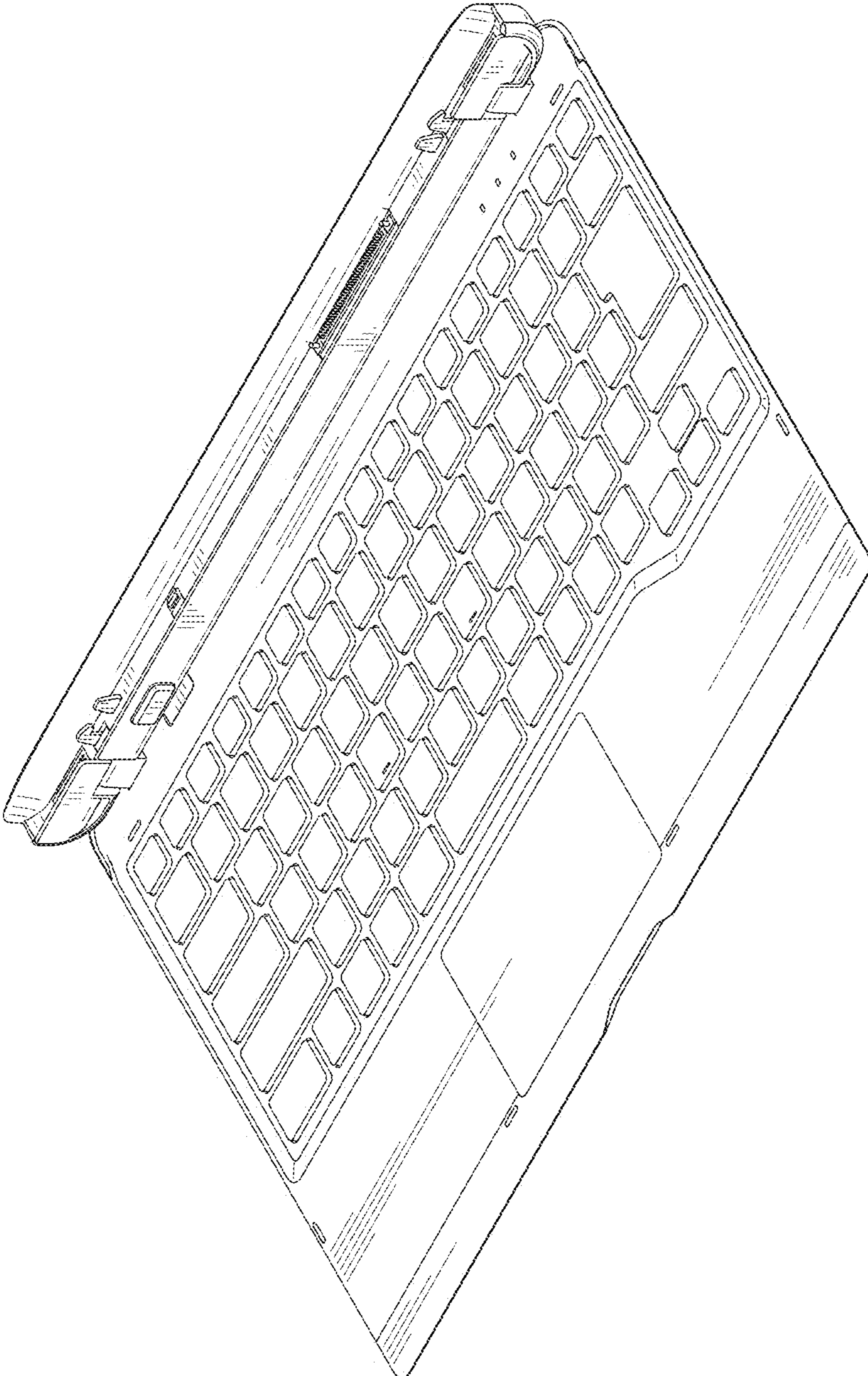


FIG. 11

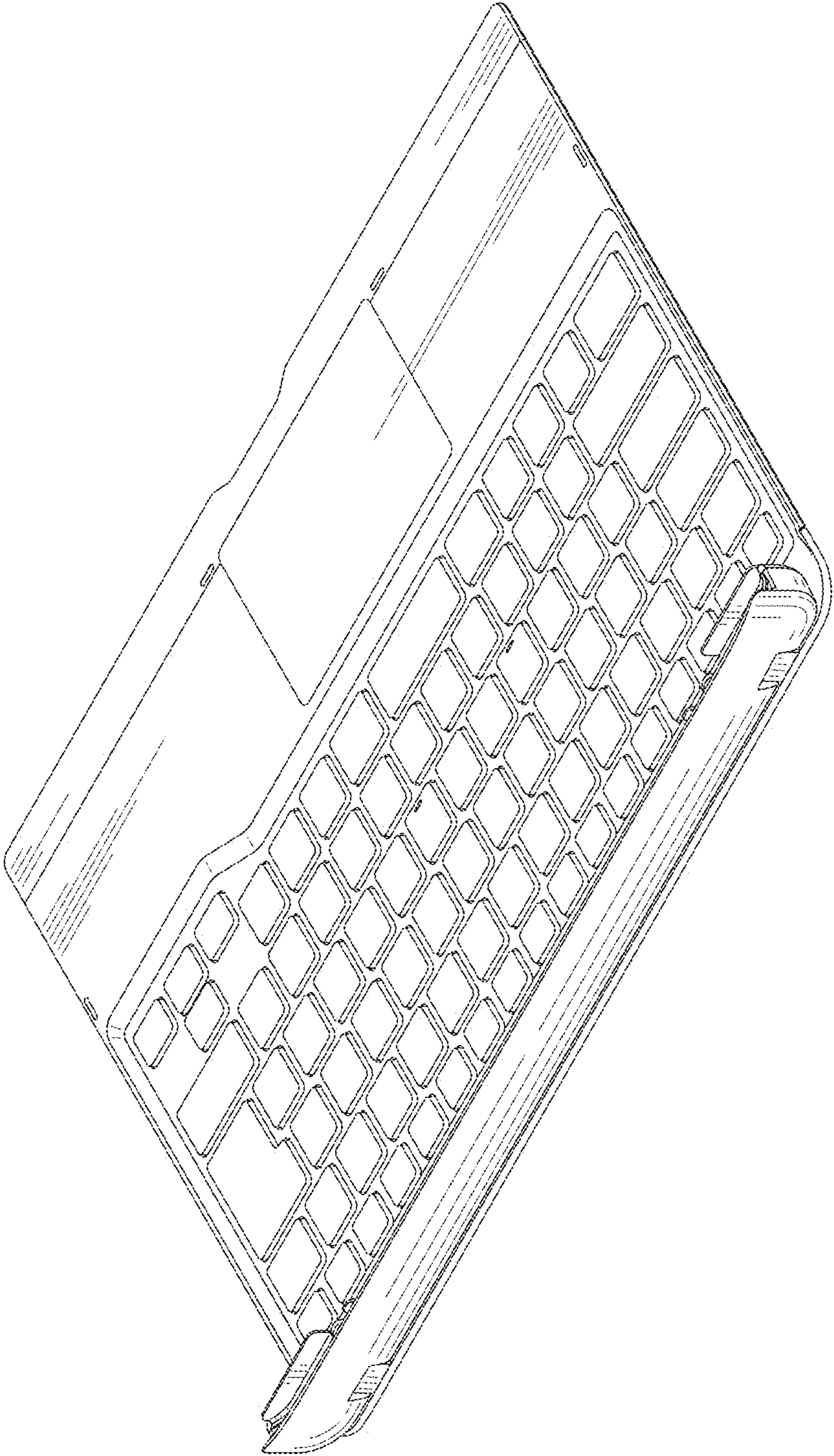


FIG. 12

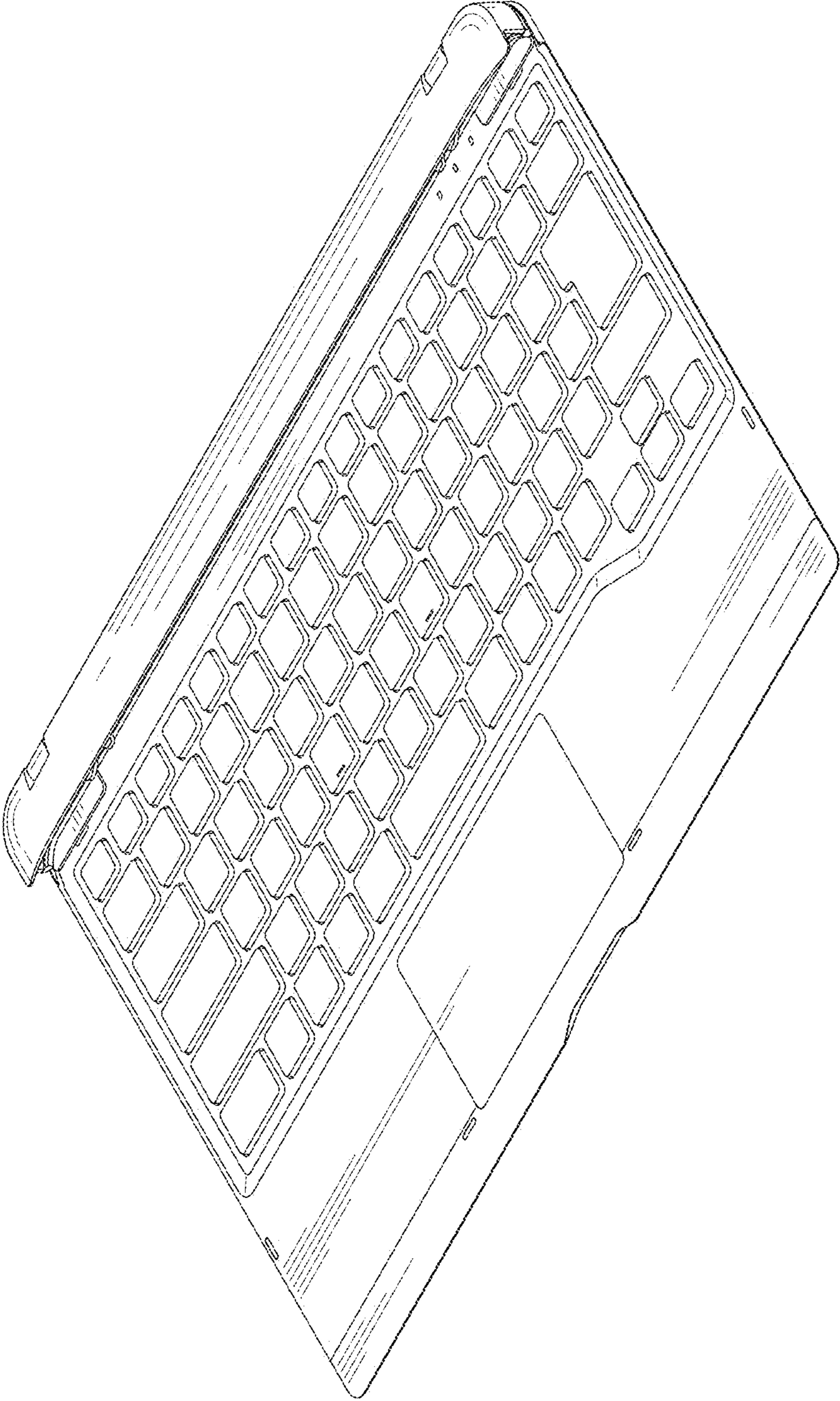


FIG. 13

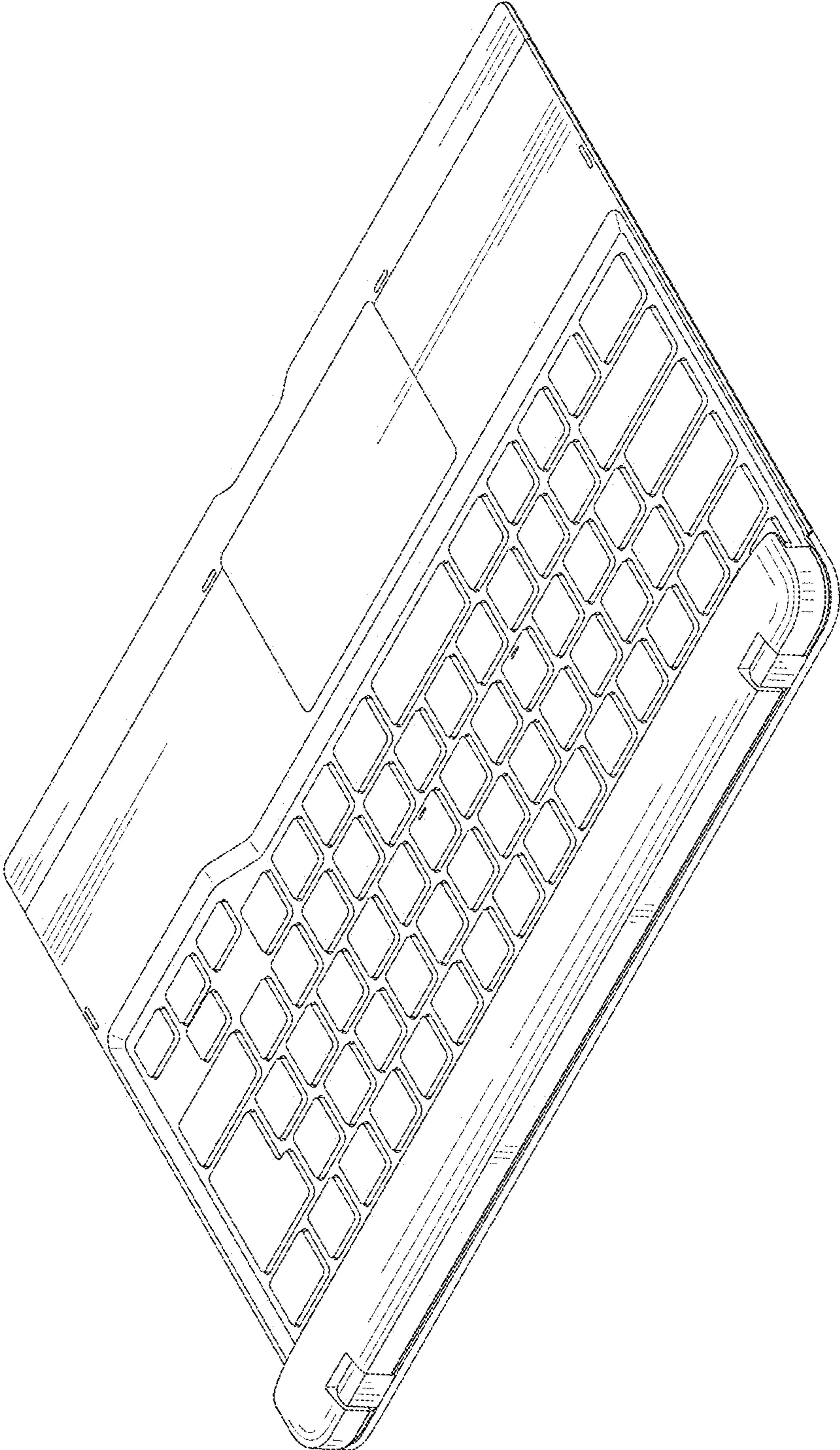


FIG. 14

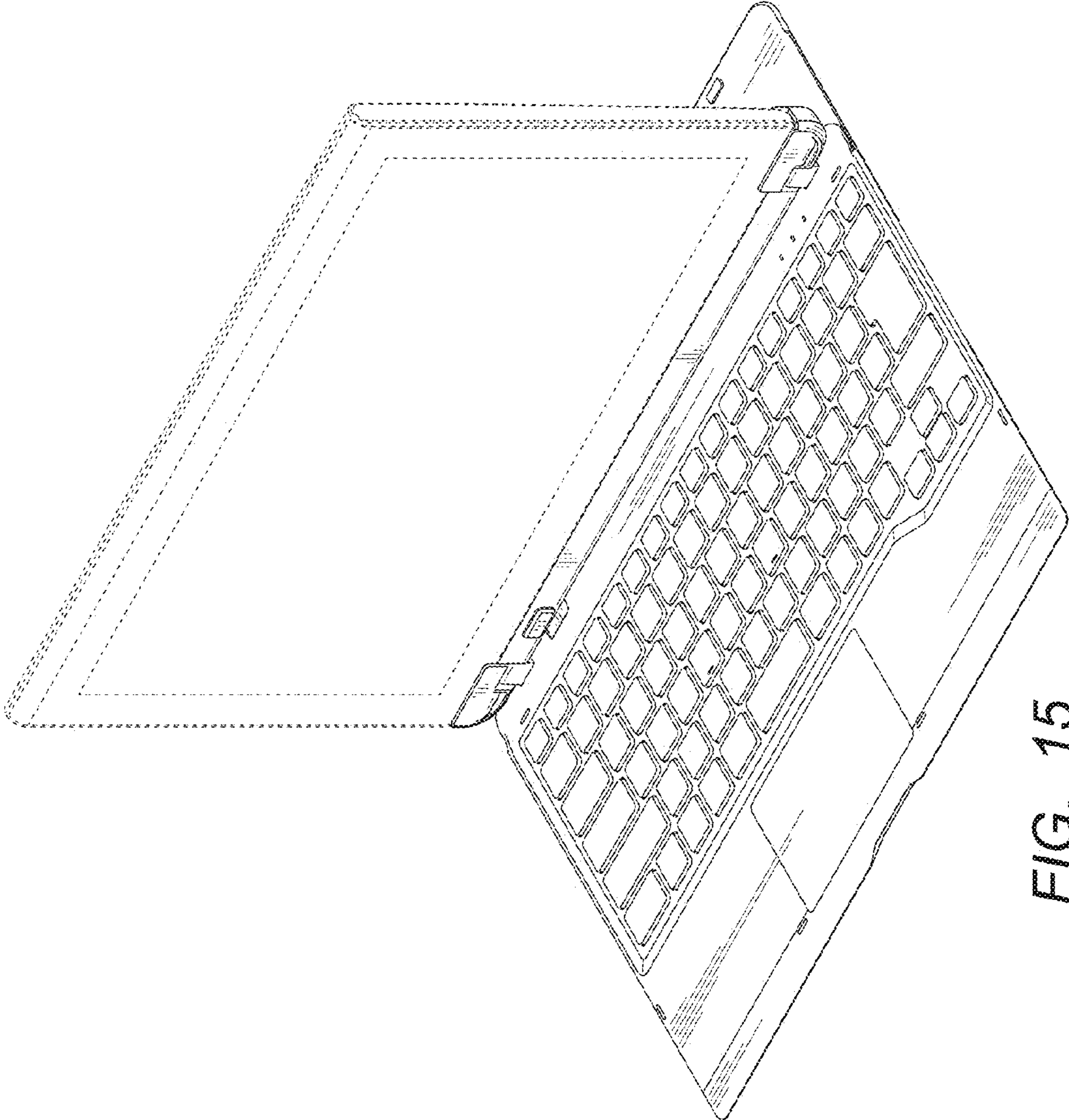


FIG. 15

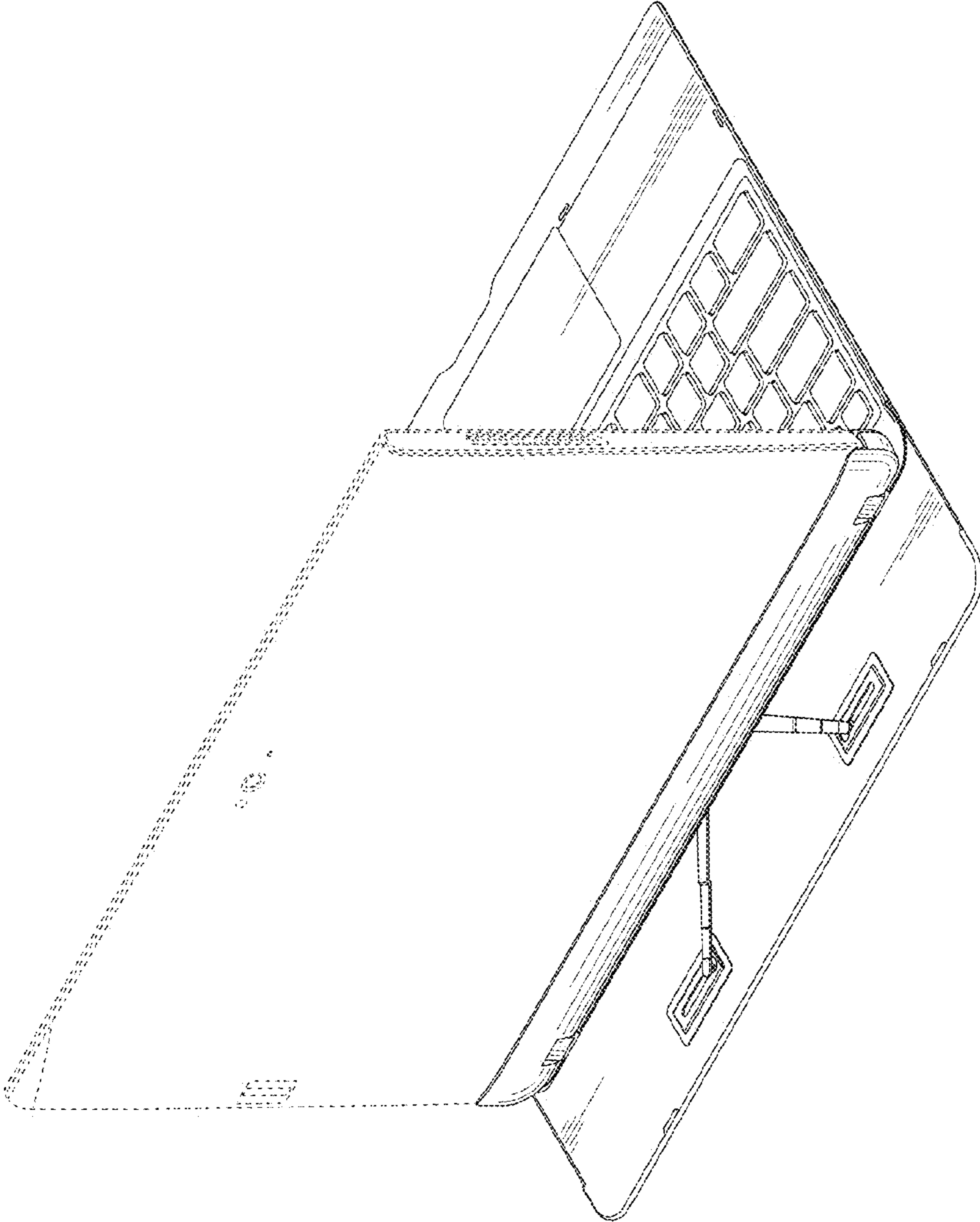


FIG. 16

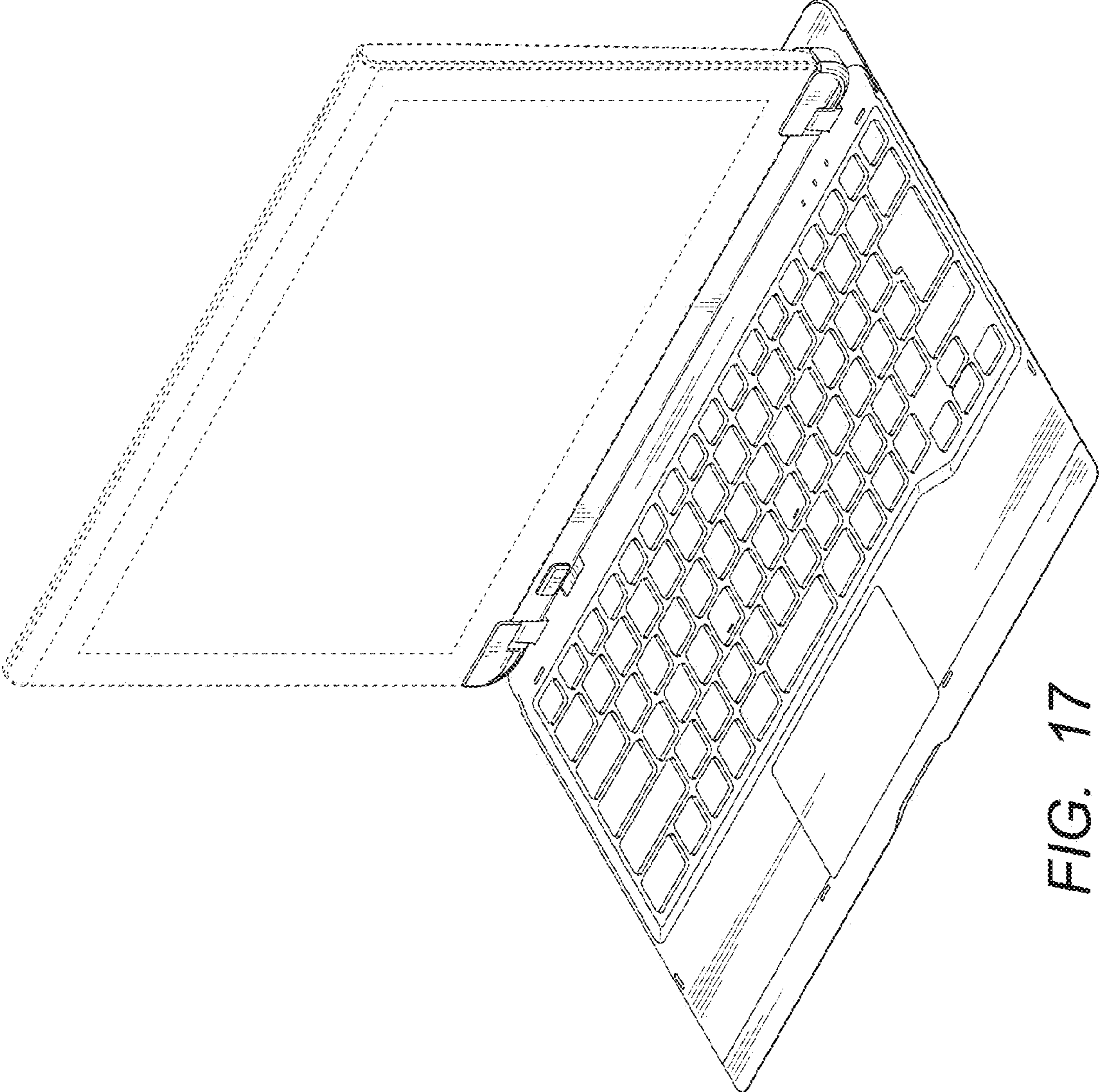


FIG. 17

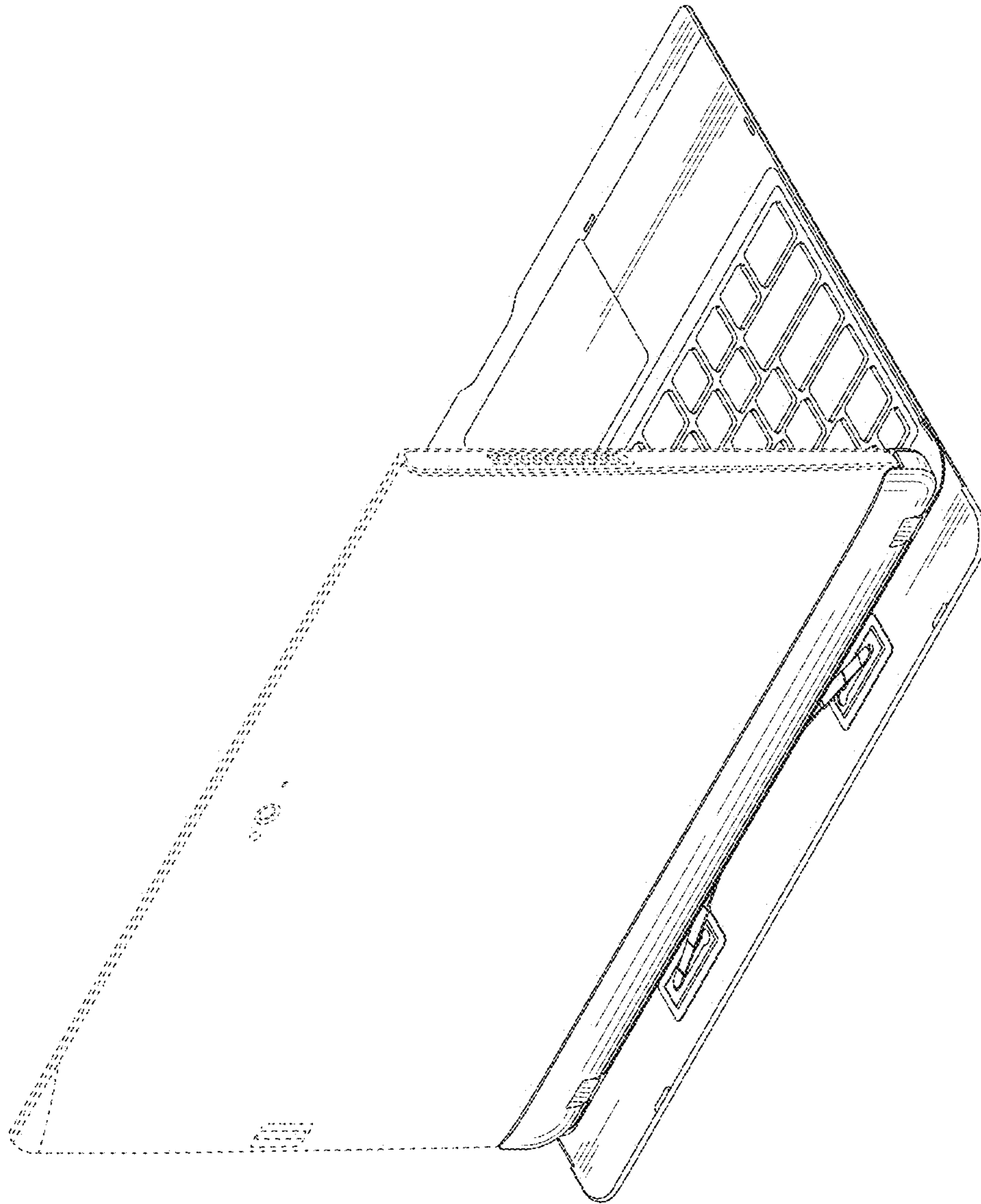


FIG. 18

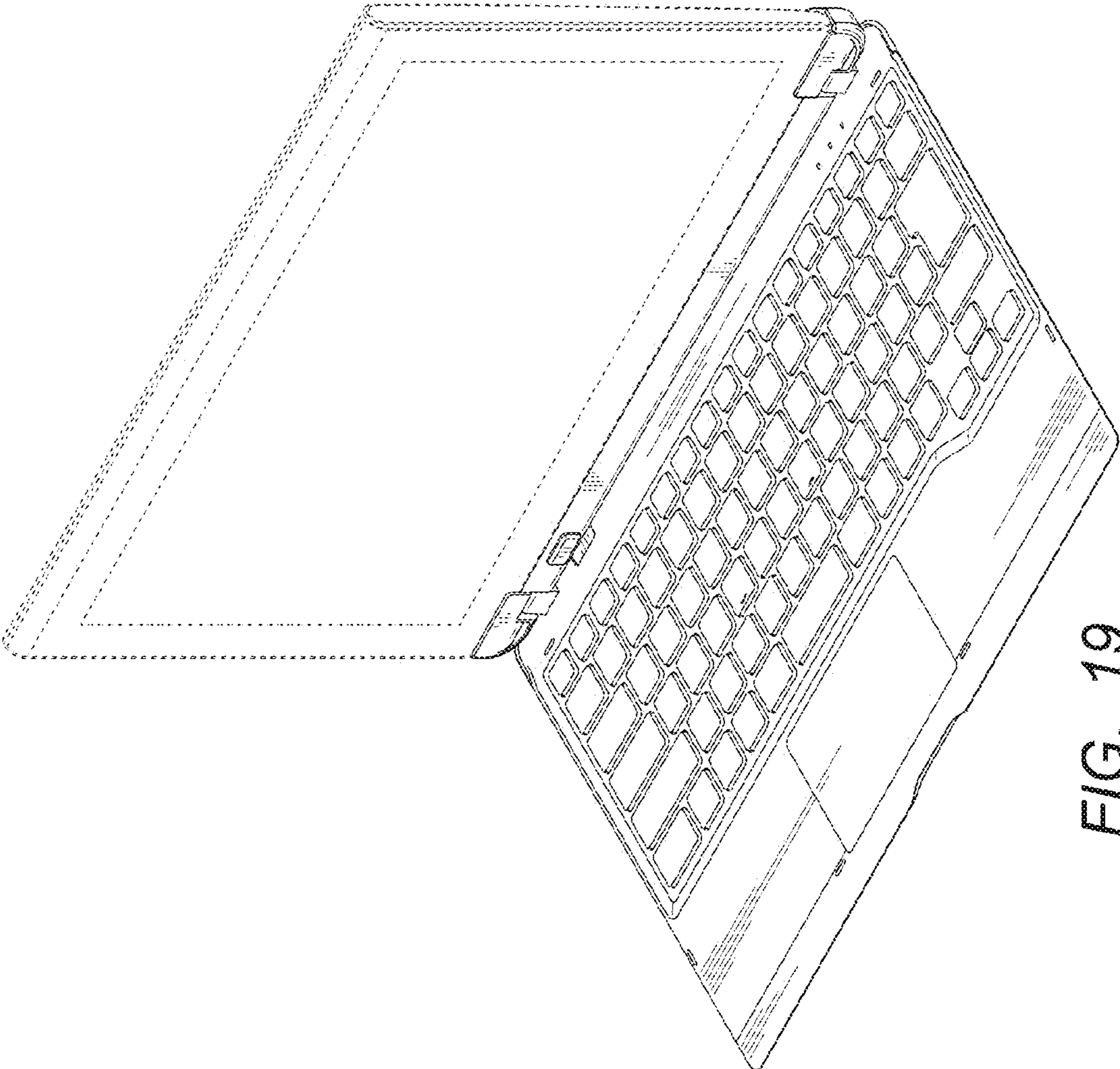


FIG. 19

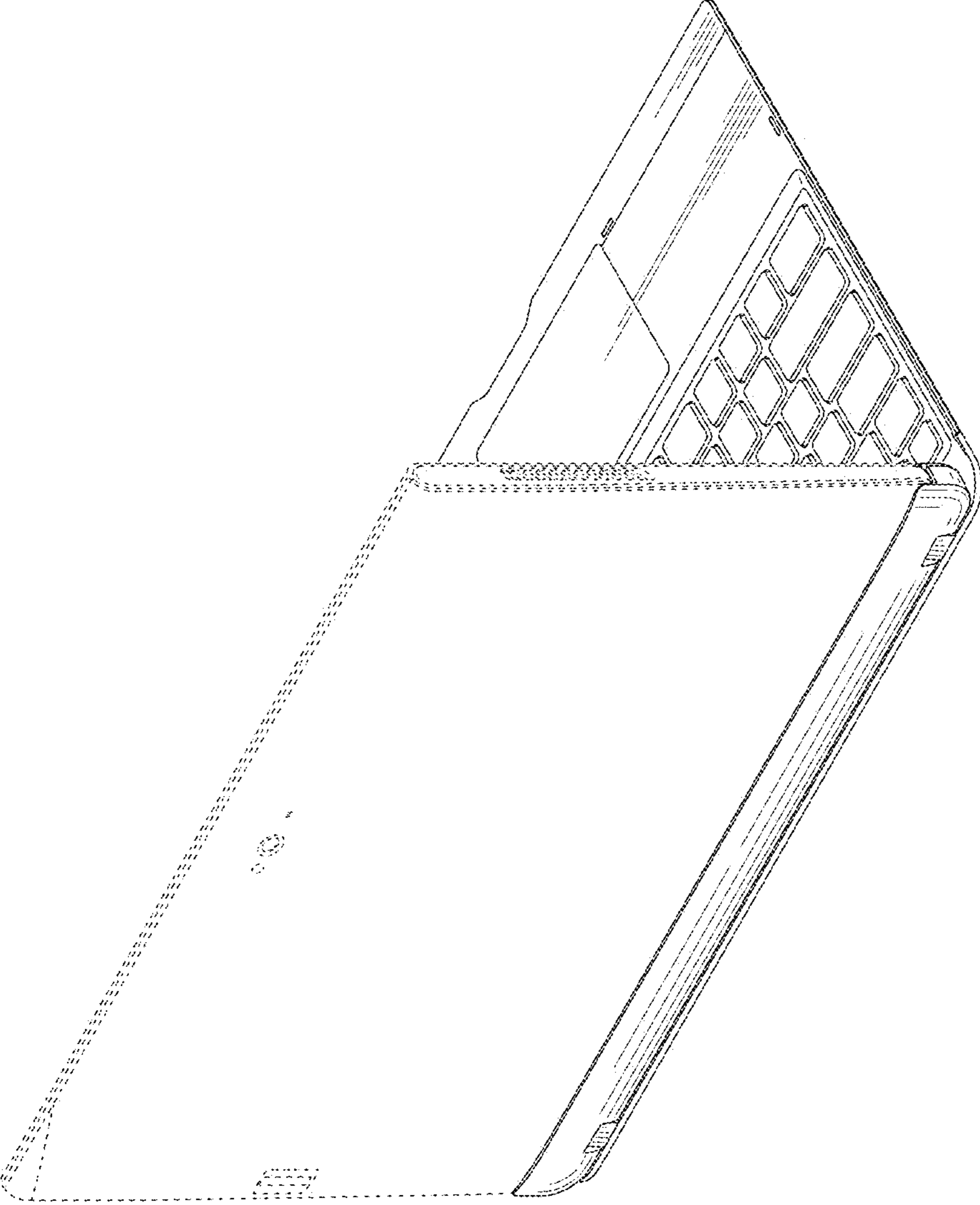


FIG. 20

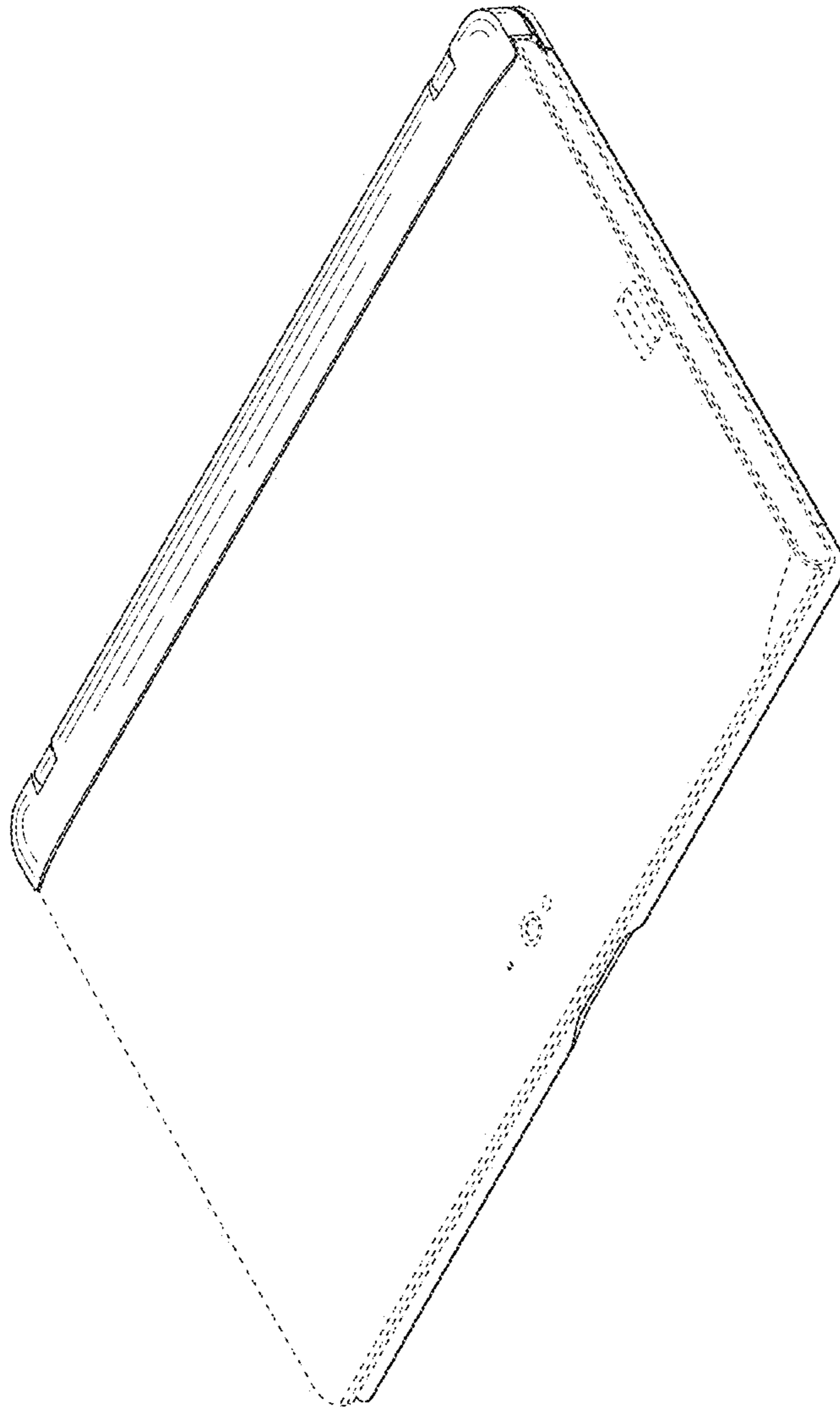


FIG. 21

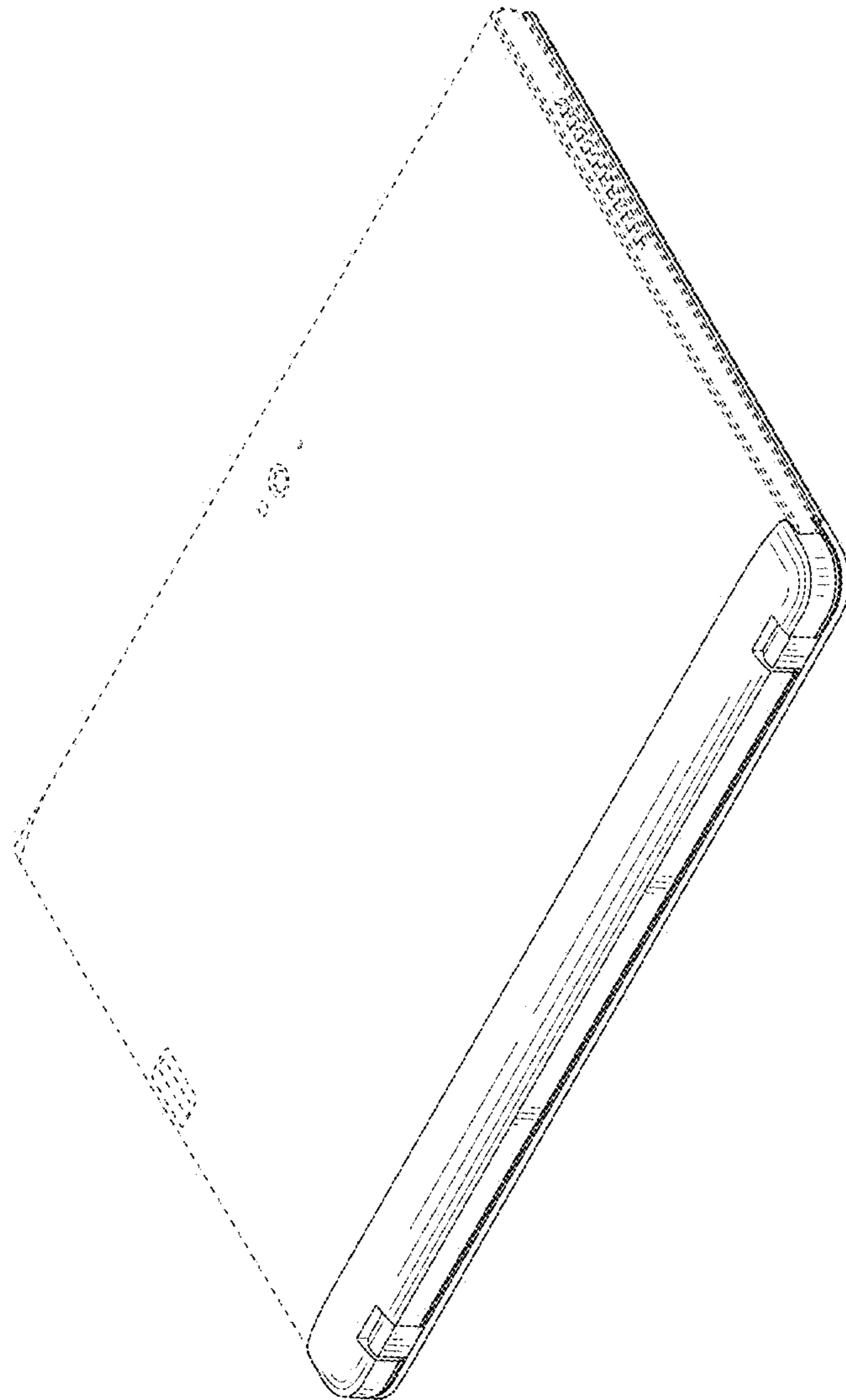


FIG. 22