



US00D735210S

(12) **United States Design Patent**  
**Kim et al.**

(10) **Patent No.:** **US D735,210 S**  
(45) **Date of Patent:** **\*\* Jul. 28, 2015**

- (54) **HOLDER OF TABLET PC STAND**
- (71) Applicant: **Samsung Electronics Co., Ltd.**,  
Suwon-si (KR)
- (72) Inventors: **Chungha Kim**, Seoul (KR); **Inshik Kim**, Seongnam-si (KR)
- (73) Assignee: **Samsung Electronics Co., Ltd.**,  
Suwon-si (KR)
- (\*\*) Term: **14 Years**
- (21) Appl. No.: **29/508,534**
- (22) Filed: **Nov. 7, 2014**
- (30) **Foreign Application Priority Data**  
May 9, 2014 (KR) ..... 30-2014-0023112
- (51) **LOC (10) Cl.** ..... **08-07**
- (52) **U.S. Cl.**  
USPC ..... **D14/447**
- (58) **Field of Classification Search**  
USPC ..... D14/447, 451, 452, 439, 440, 432, 457,  
D14/460, 461, 217, 239, 251, 253;  
D6/406.3, 406.4, 406.5, 406.6;  
248/460, 917-924, 150, 176.1, 177.1,  
248/181.1, 188.7; 361/679.02, 679.06,  
361/679.07, 679.09, 679.21, 679.22,  
361/679.26, 679.27, 679.3, 679.55, 679.56;  
D8/363, 373, 380  
CPC ..... F16M 2200/00; F16M 13/00; A45C  
2011/003; A45C 2011/002; A47B 2023/049;  
A47B 2097/005; A47B 2097/006; A47B 21/04  
See application file for complete search history.

- (56) **References Cited**  
U.S. PATENT DOCUMENTS  
D677,670 S \* 3/2013 Vizcarra et al. .... D14/447  
D682,281 S \* 5/2013 Barnard et al. .... D14/447  
D690,306 S \* 9/2013 Malisse et al. .... D14/447

- D692,900 S \* 11/2013 Kovacs ..... D14/447
- D704,713 S \* 5/2014 Liniger ..... D14/447
- D709,066 S \* 7/2014 Byun ..... D14/253
- D709,072 S \* 7/2014 Askew-Harris et al. .... D14/447
- 8,800,942 B2 \* 8/2014 Yu ..... 248/122.1
- D715,132 S \* 10/2014 McSweyn et al. .... D8/363
- 2006/0086872 A1 \* 4/2006 Fan ..... 248/205.8
- 2007/0022583 A1 \* 2/2007 Carnevali ..... 24/523
- 2011/0255219 A1 \* 10/2011 Ou ..... 361/679.01
- 2012/0131826 A1 \* 5/2012 Dai ..... 40/597

\* cited by examiner

*Primary Examiner* — Angela J Lee  
(74) *Attorney, Agent, or Firm* — NSIP Law

(57) **CLAIM**  
We claim the ornamental design for a holder of tablet PC stand, as shown and described.

**DESCRIPTION**

FIG. 1 is a front perspective view of a holder of tablet PC stand showing our new design;  
 FIG. 2 is a front view thereof;  
 FIG. 3 is a rear view thereof;  
 FIG. 4 is a left-side view thereof;  
 FIG. 5 is a right-side view thereof;  
 FIG. 6 is a top view thereof;  
 FIG. 7 is a bottom view thereof;  
 FIG. 8 is a rear perspective view thereof;  
 FIG. 9 is a rear perspective view thereof in which a tablet PC and a stand for tablet PC in broken lines is provided to illustrate an example environment; and,  
 FIG. 10 is a partial enlarged cross-sectional view of the encircled portion of FIG. 5.  
 The short dash-dash broken lines showing of a tablet PC and a stand for tablet PC in FIG. 9 illustrate environment and the short dash-dash broken lines in FIGS. 3 and 8 represent unclaimed portions of the holder of tablet PC stand; the short dash-dash broken lines form no part of the claimed design.  
 The dot-dash broken lines encircling portions of the claimed design that are illustrated in enlargements form no part of the claimed design.

**1 Claim, 10 Drawing Sheets**

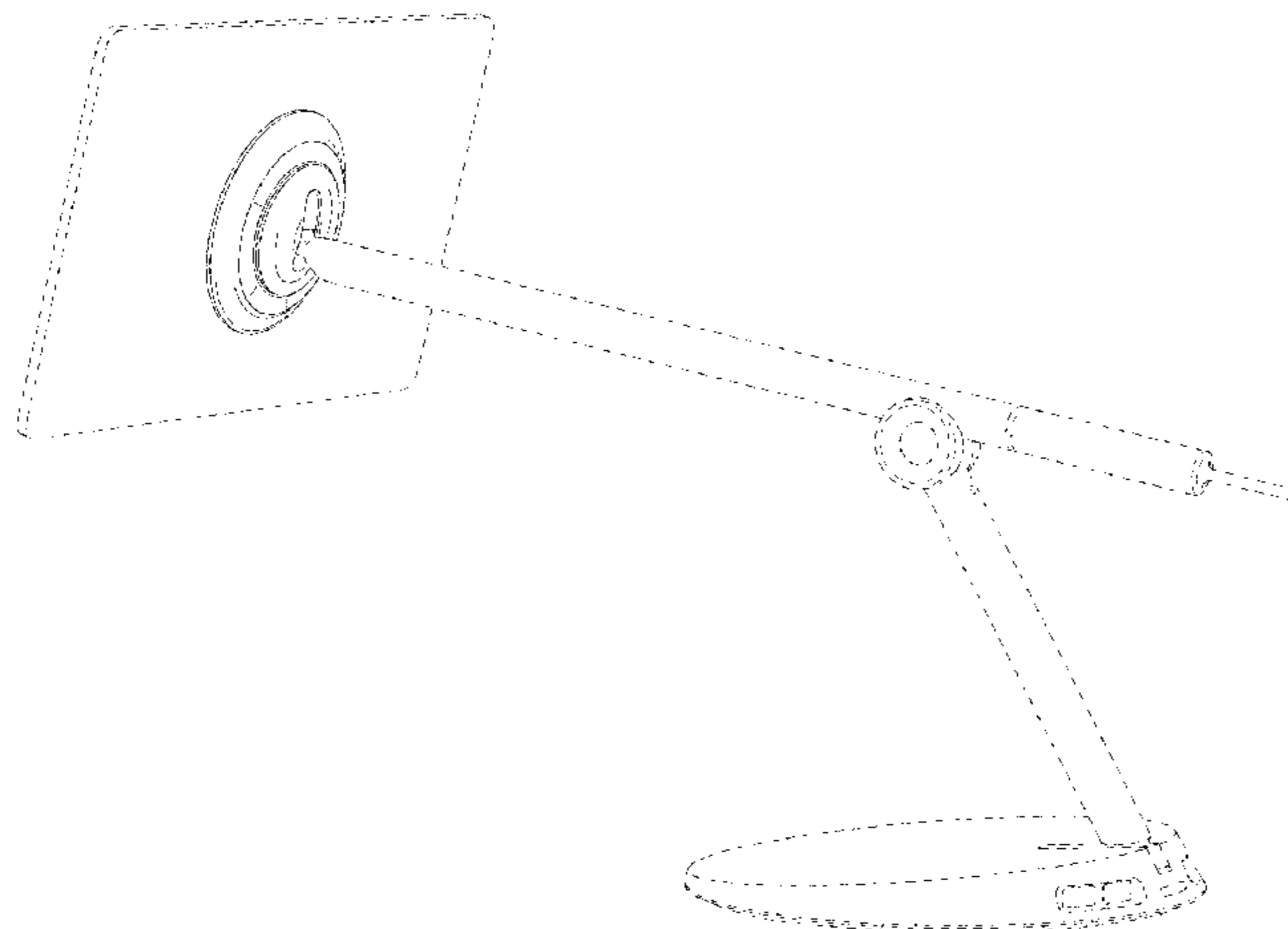


FIG. 1

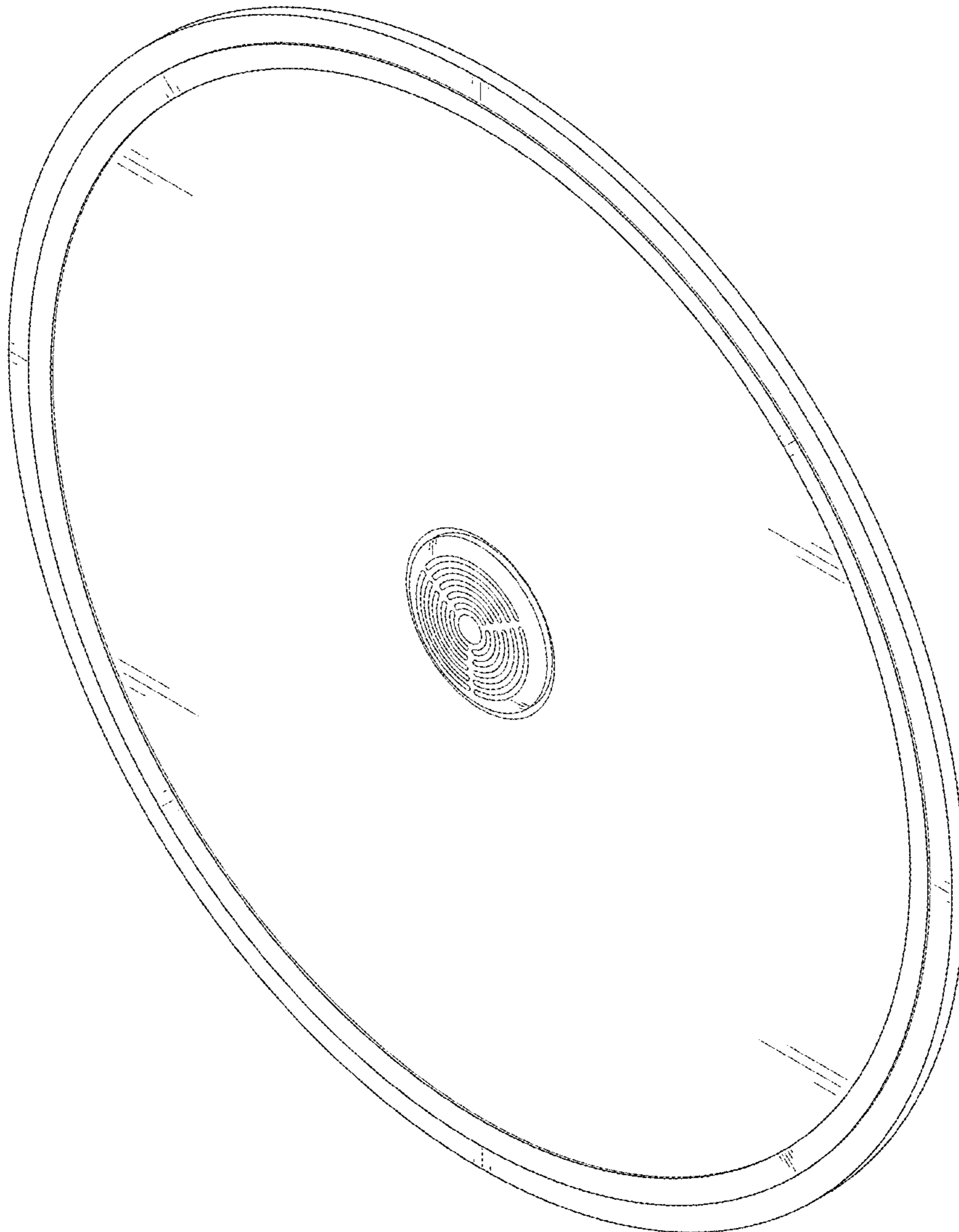


FIG. 2

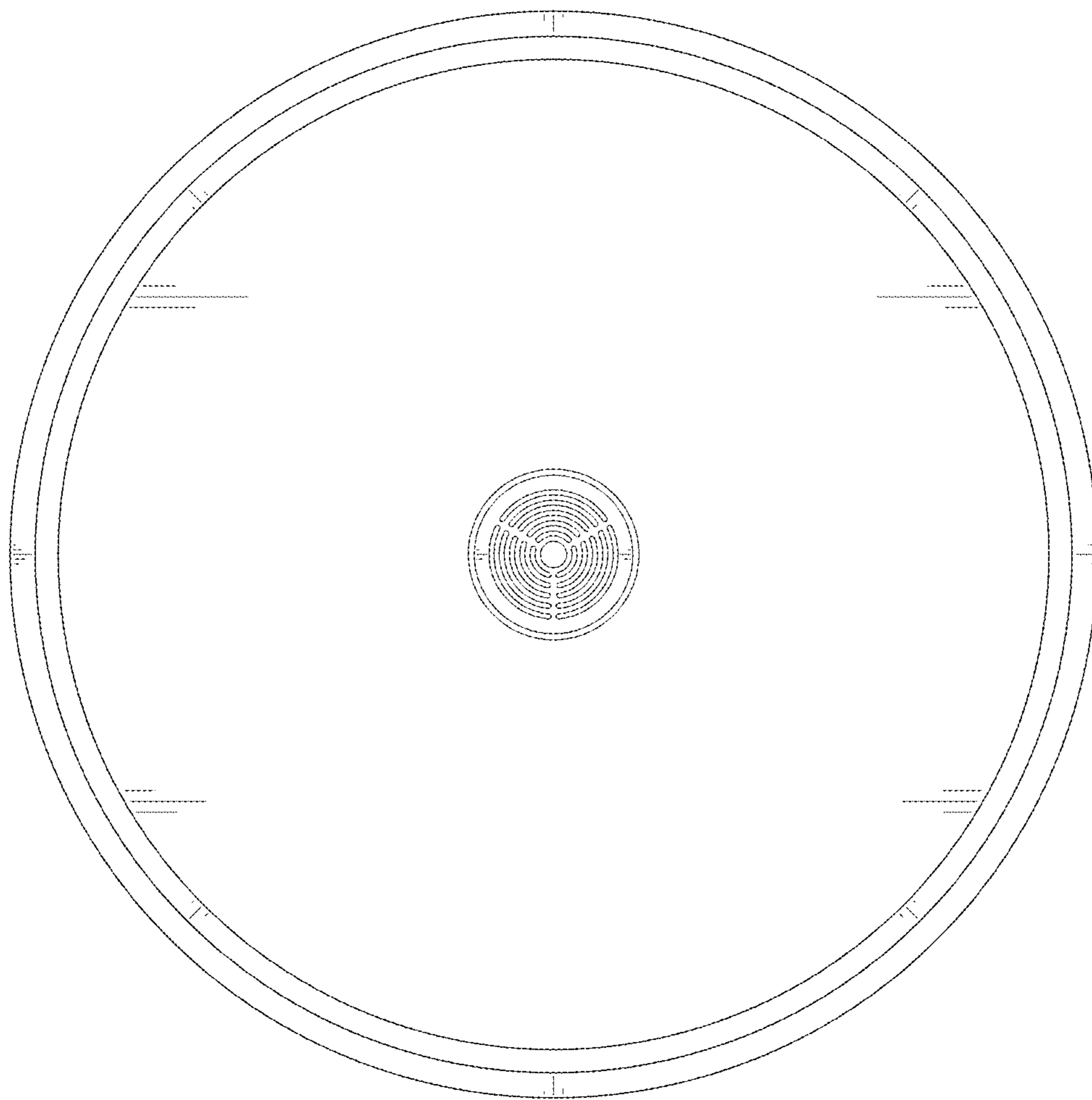


FIG. 3

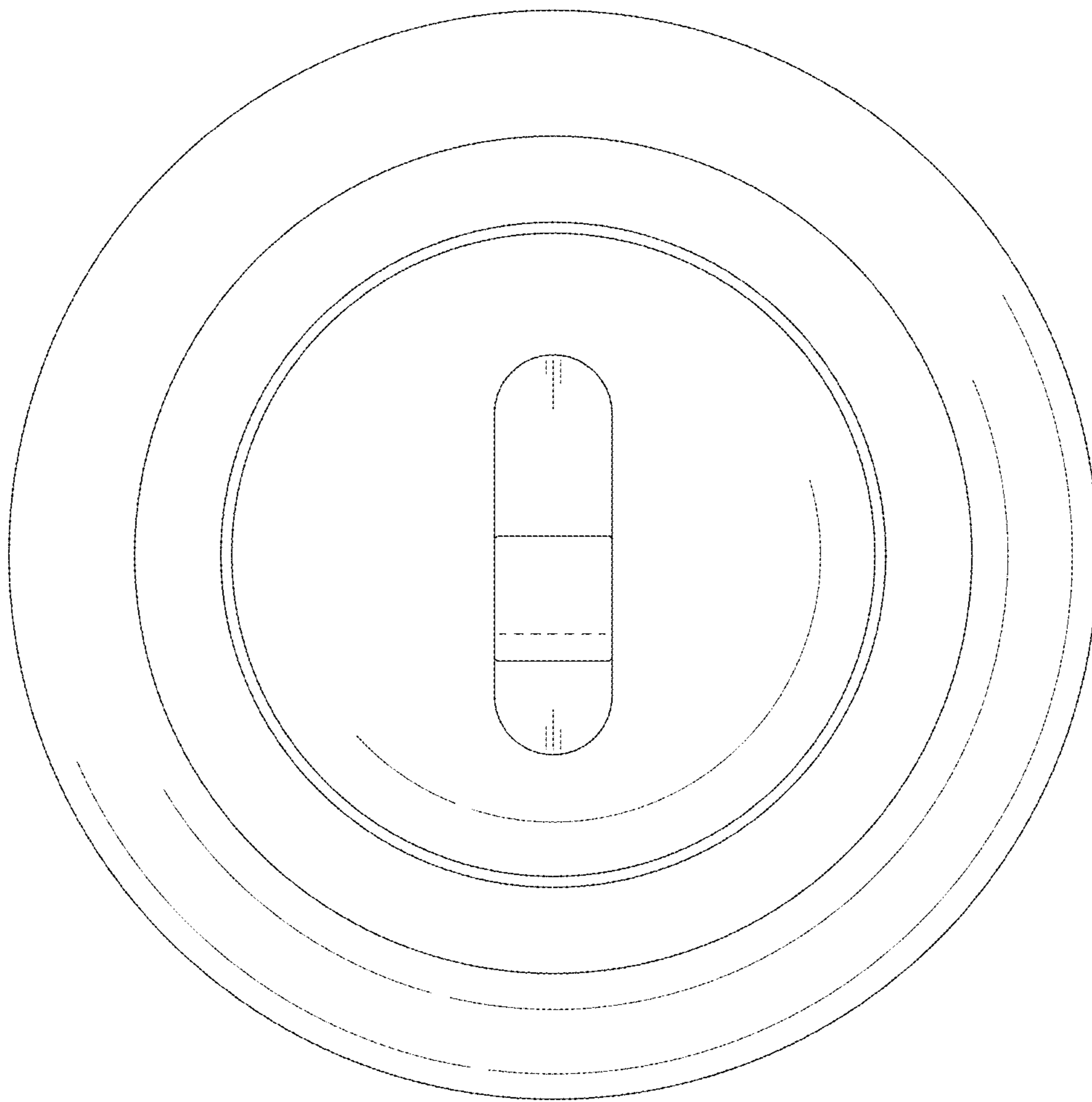


FIG. 4

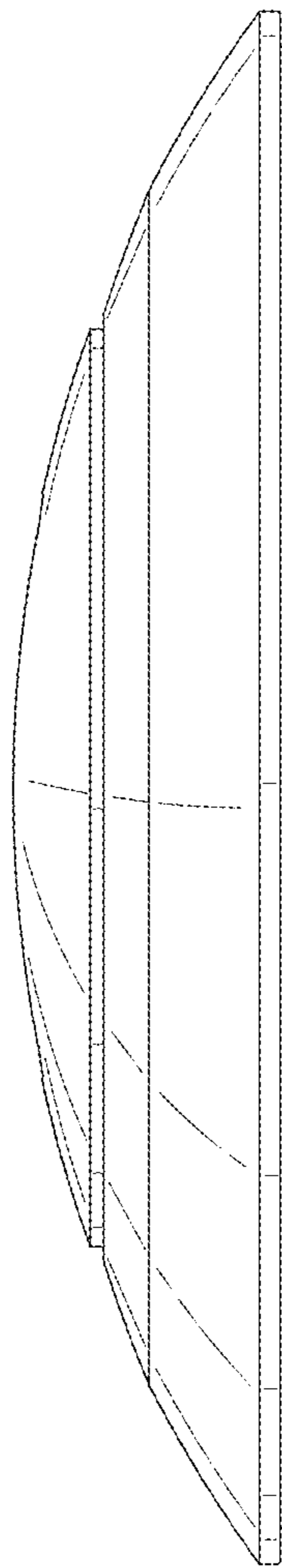


FIG. 5

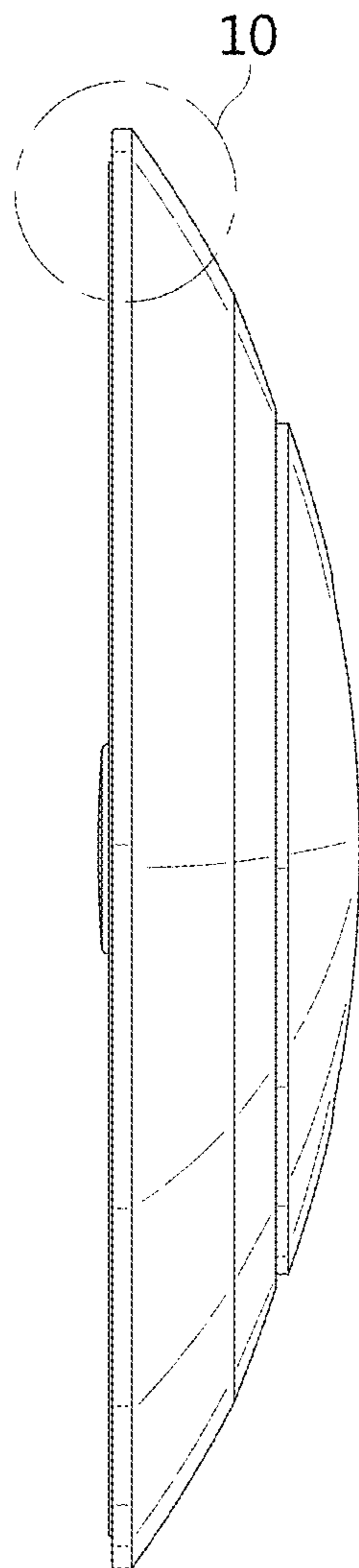


FIG. 6

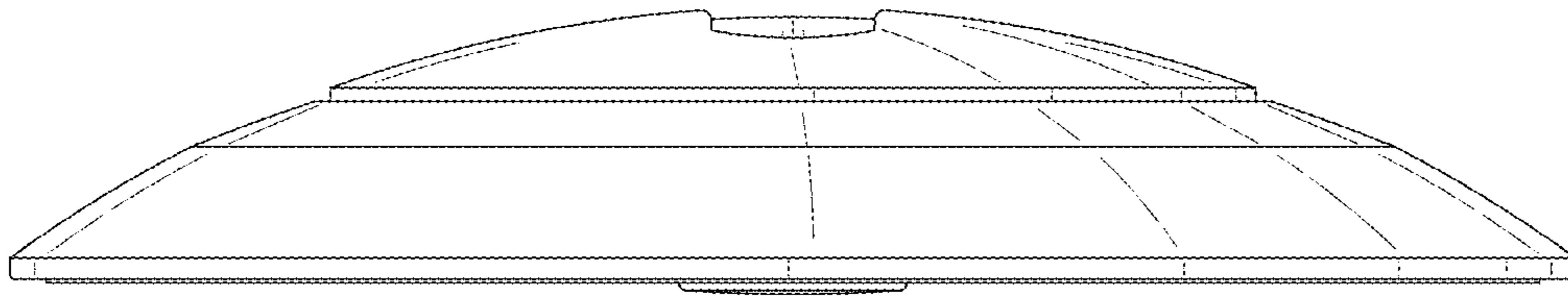


FIG. 7

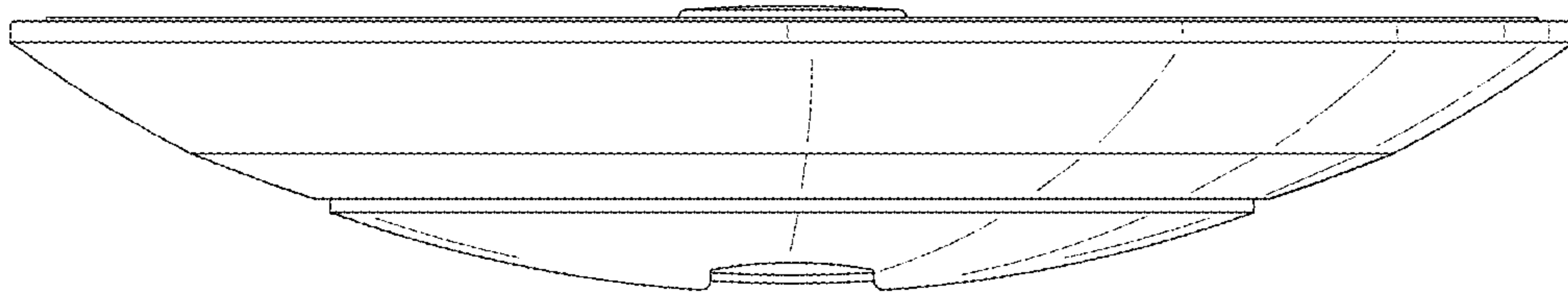




FIG. 8

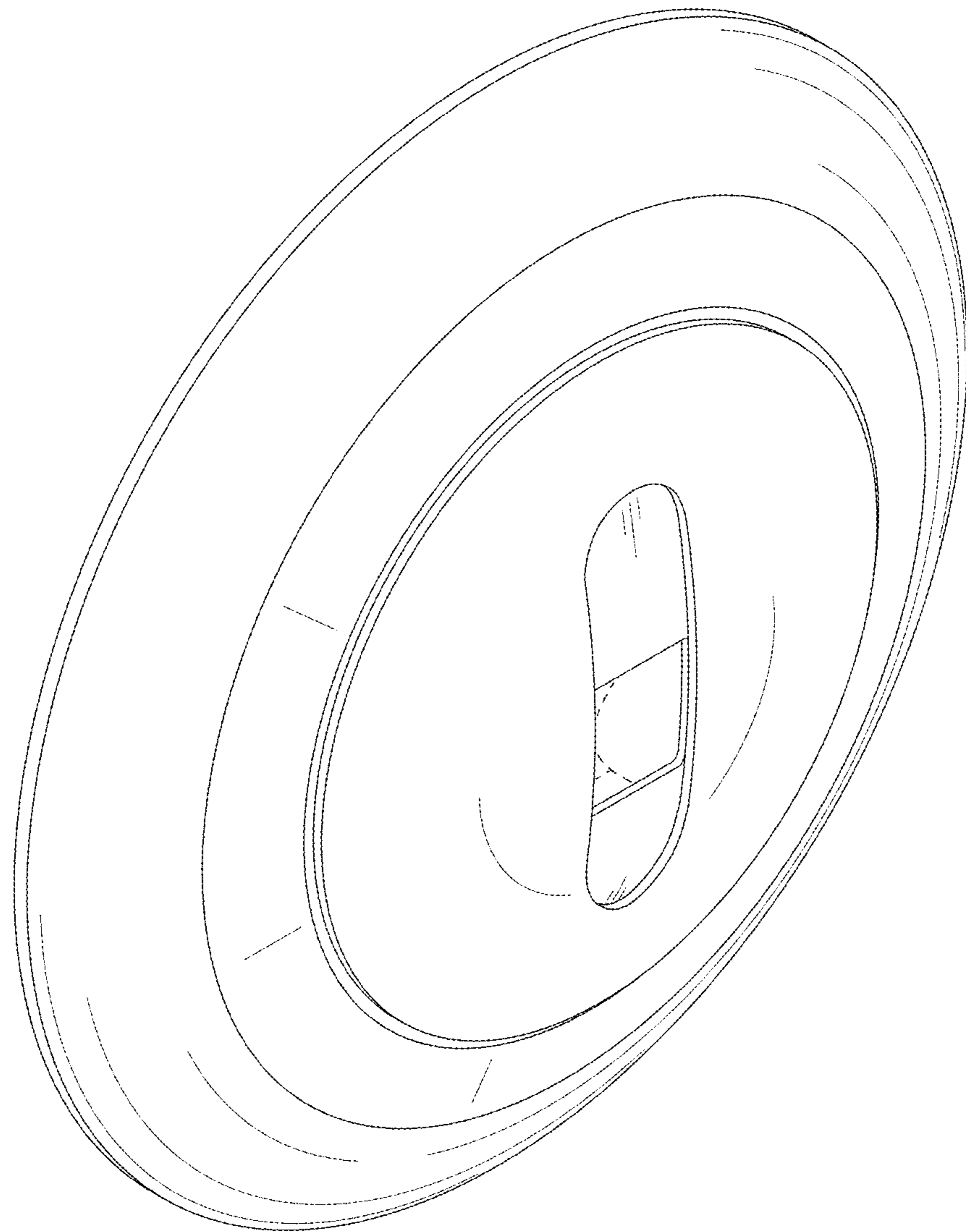


FIG. 9

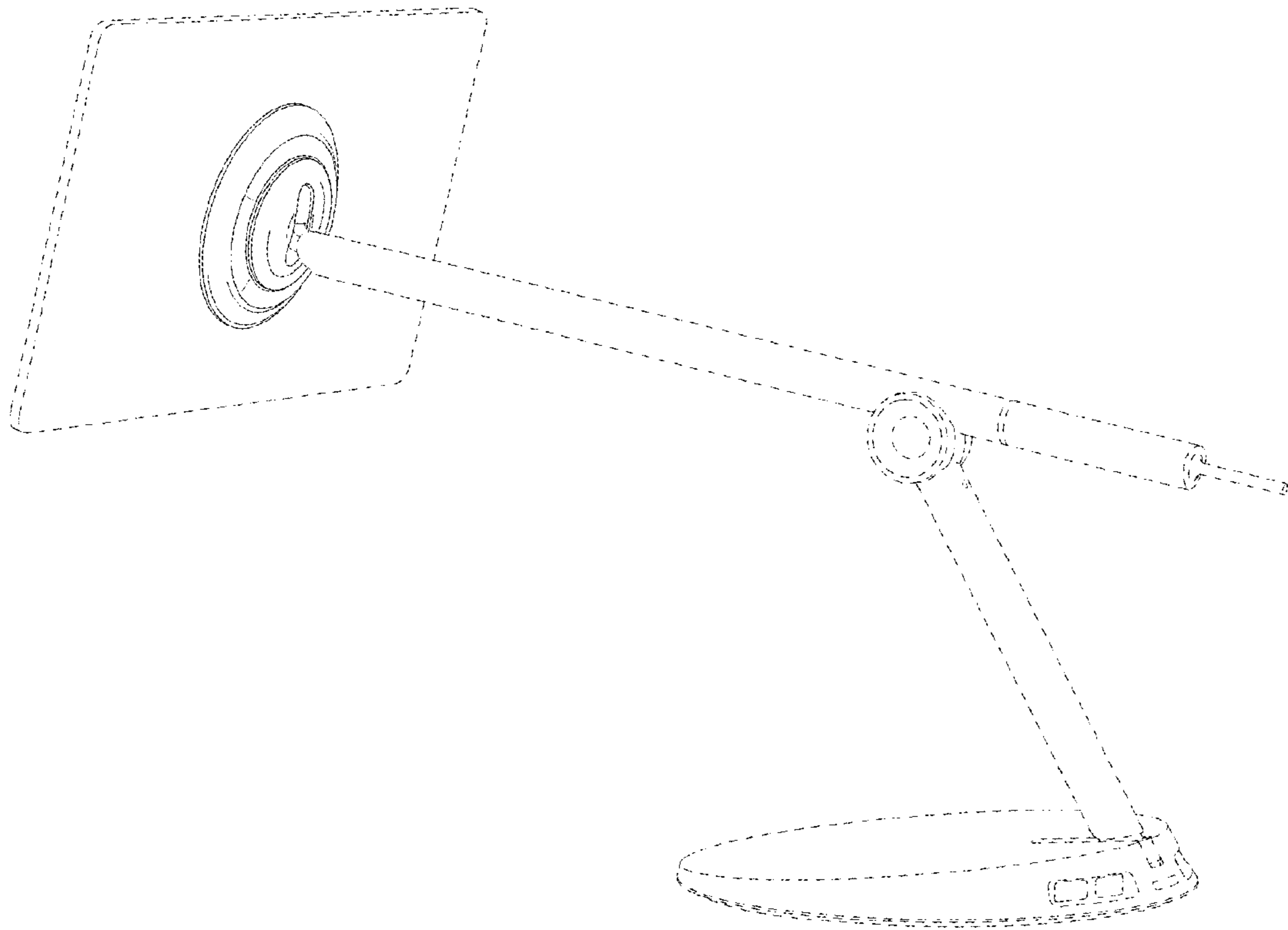


FIG. 10

