



US00D735209S

(12) **United States Design Patent**  
**Strmiska et al.**

(10) **Patent No.:** **US D735,209 S**  
(45) **Date of Patent:** **\*\* Jul. 28, 2015**

(54) **STORAGE DEVICE BEZEL**

(71) Applicant: **Dell Products L.P.**, Round Rock, TX  
(US)  
(72) Inventors: **Bernard D. Strmiska**, Round Rock, TX  
(US); **Richard A. Crisp**, Austin, TX  
(US); **Mark Gilson**, Austin, TX (US)  
(73) Assignee: **Dell Products L.P.**, Round Rock, TX  
(US)

(\*\*) Term: **14 Years**  
(21) Appl. No.: **29/481,007**  
(22) Filed: **Jan. 31, 2014**

(51) **LOC (10) Cl.** ..... **14-02**  
(52) **U.S. Cl.**  
USPC ..... **D14/442**

(58) **Field of Classification Search**  
USPC ..... D14/240, 300, 301, 308, 313, 349–356,  
D14/364–368, 441–446; D13/162, 184,  
D13/199; 312/223.1–223.3, 351.11;  
360/99.01–99.12; 369/34.01–36.01;  
361/679.31–679.33, 679.37, 679.39,  
361/679.46, 679.53, 679.4  
CPC ..... G06F 1/181; G06F 1/187  
See application file for complete search history.

(56) **References Cited**

U.S. PATENT DOCUMENTS

D469,084	S	*	1/2003	Frank	.....	D14/313
D481,393	S	*	10/2003	Alo et al.	.....	D14/439
6,816,370	B2	*	11/2004	Searby et al.	.....	361/679.58
7,321,489	B2	*	1/2008	McAlister	.....	361/679.33
D673,570	S	*	1/2013	Wallace et al.	.....	D14/444
8,456,828	B2	*	6/2013	Peng et al.	.....	361/679.33
2002/0106919	A1	*	8/2002	Behl	.....	439/136
2008/0205026	A1	*	8/2008	Gallarelli et al.	.....	361/818
2010/0284145	A1	*	11/2010	Kang	.....	361/679.58

\* cited by examiner

*Primary Examiner* — Freda S Nunn  
(74) *Attorney, Agent, or Firm* — Terrile, Cannatti, Chambers & Holland, LLP; Robert W. Holland

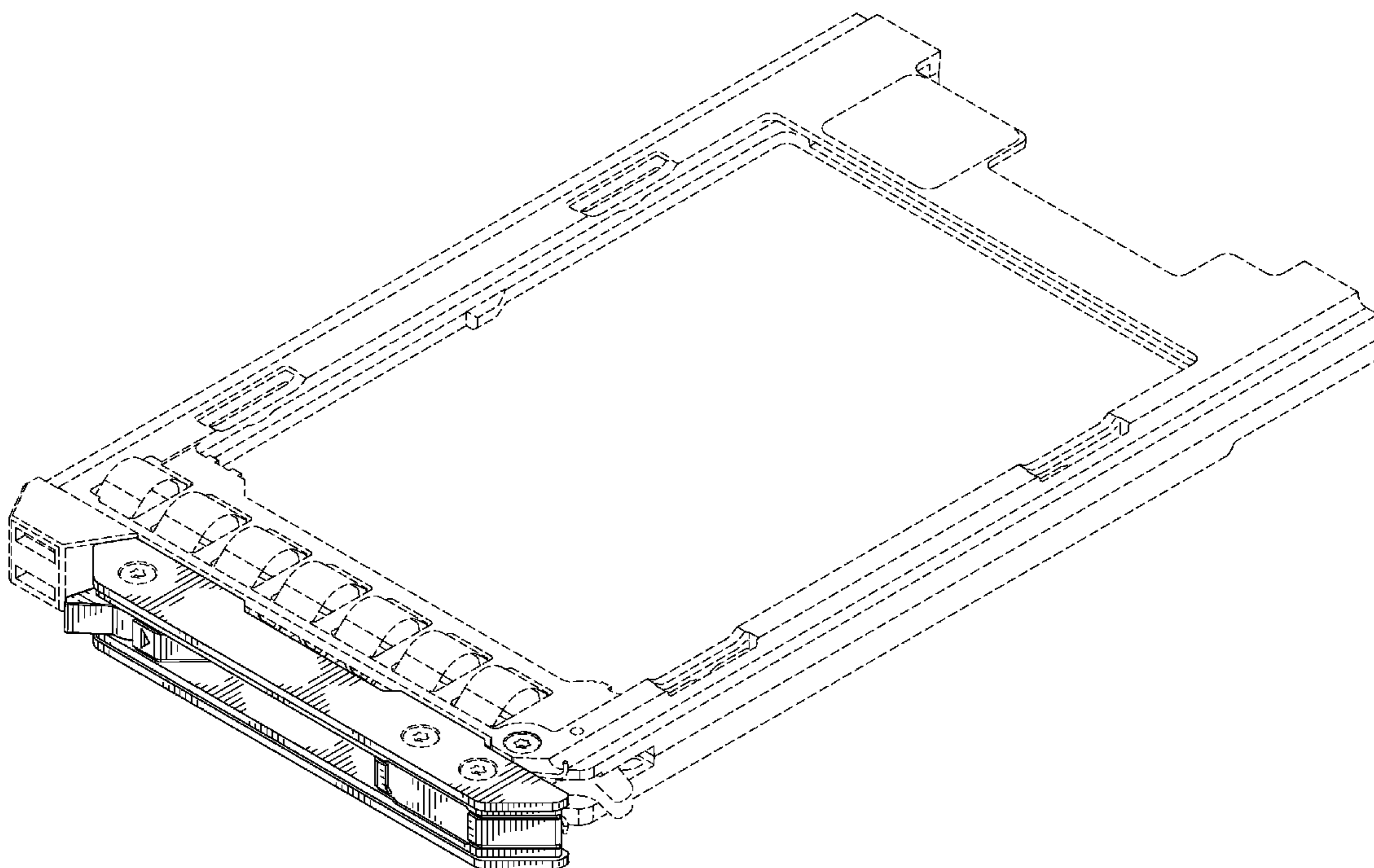
(57) **CLAIM**

We claim the ornamental design for a storage device bezel, as shown and described.

**DESCRIPTION**

FIG. 1 is a top perspective view of the storage device bezel comprising the present invention;  
FIG. 2 is a front view thereof;  
FIG. 3 is a back view thereof;  
FIG. 4 is a left side view thereof;  
FIG. 5 is a right side view thereof;  
FIG. 6 is a top view thereof;  
FIG. 7 is a bottom view thereof; and,  
FIG. 8 is a side perspective view thereof disposed in an arrangement of storage devices.  
Broken lines shown in the drawings illustrate portions of the storage device bezel, and form no part of the claimed design.

**1 Claim, 6 Drawing Sheets**



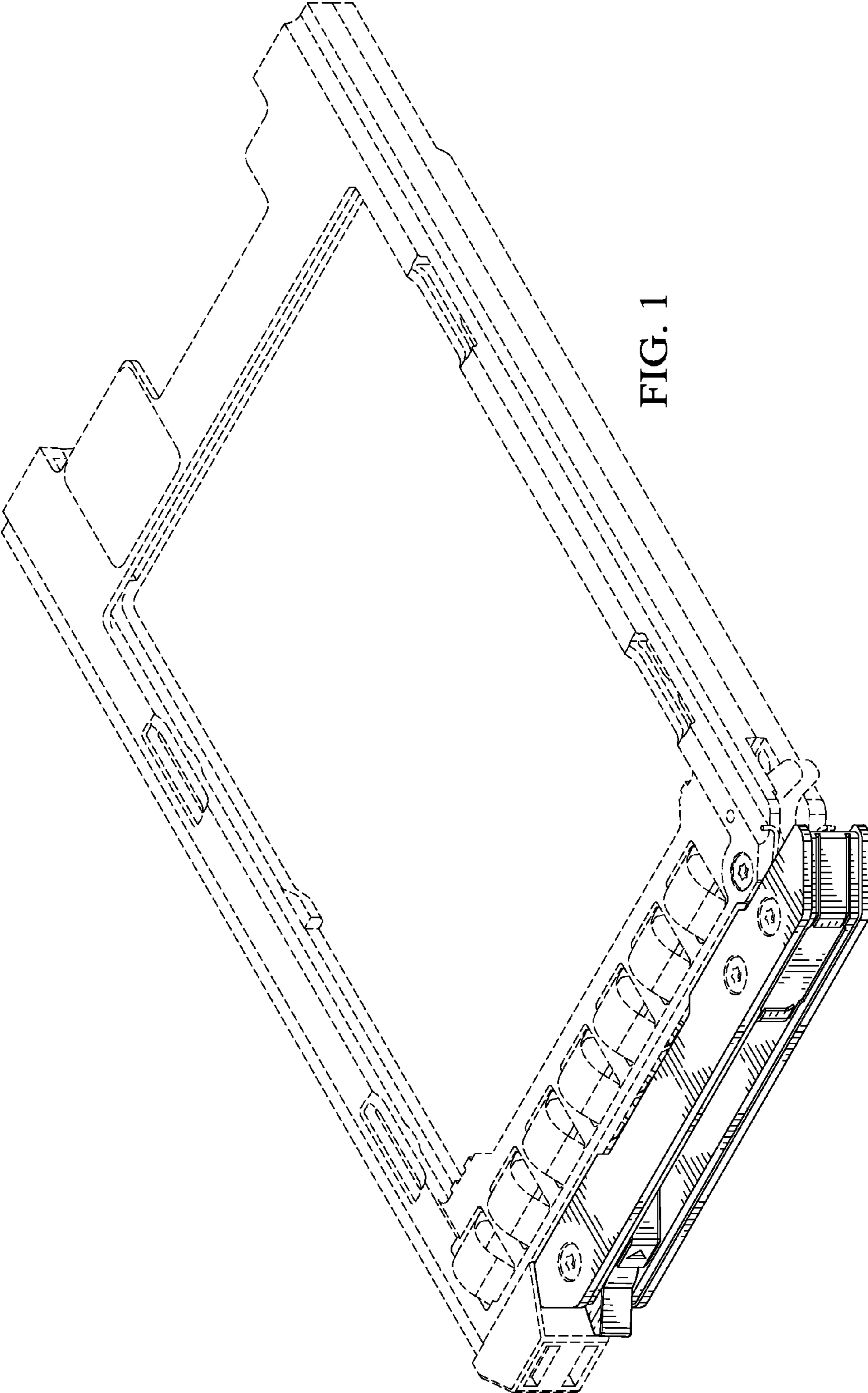


FIG. 1

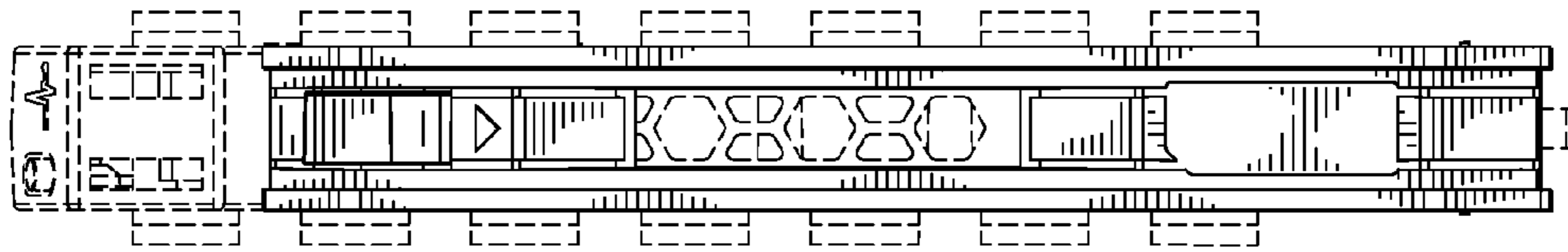


FIG. 2

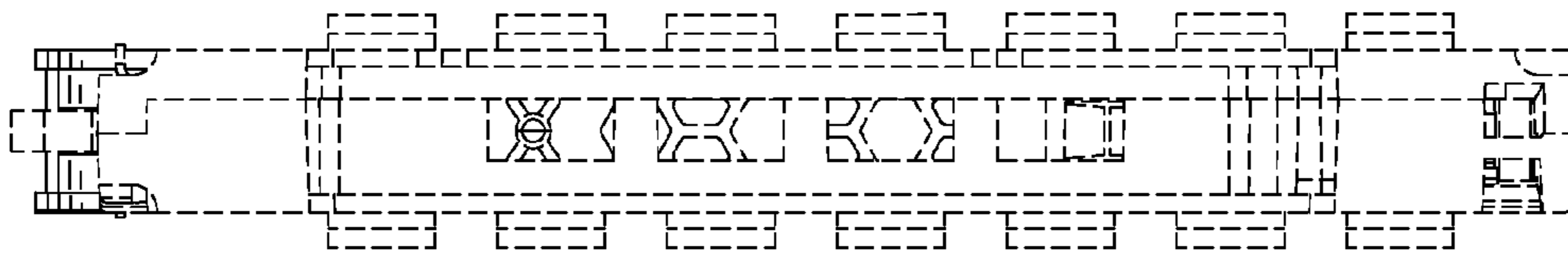


FIG. 3

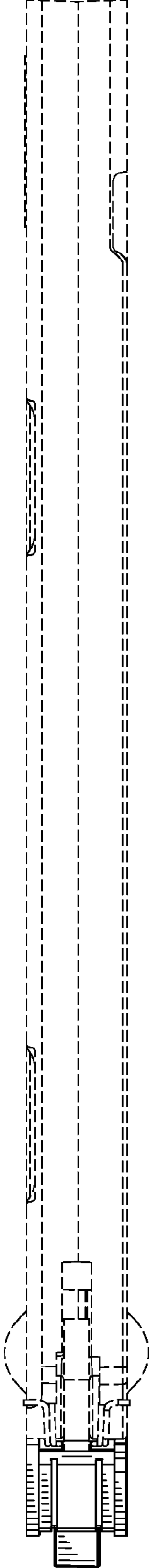


FIG. 4

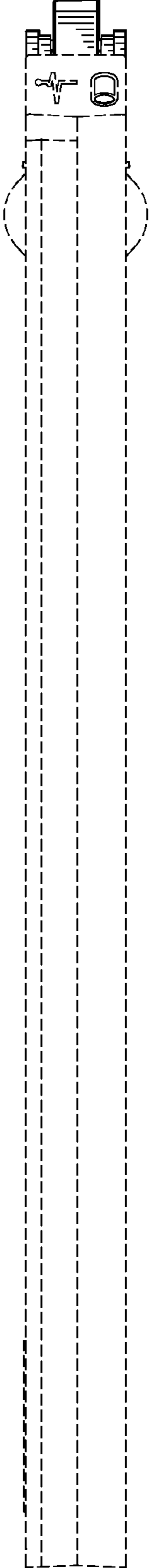


FIG. 5

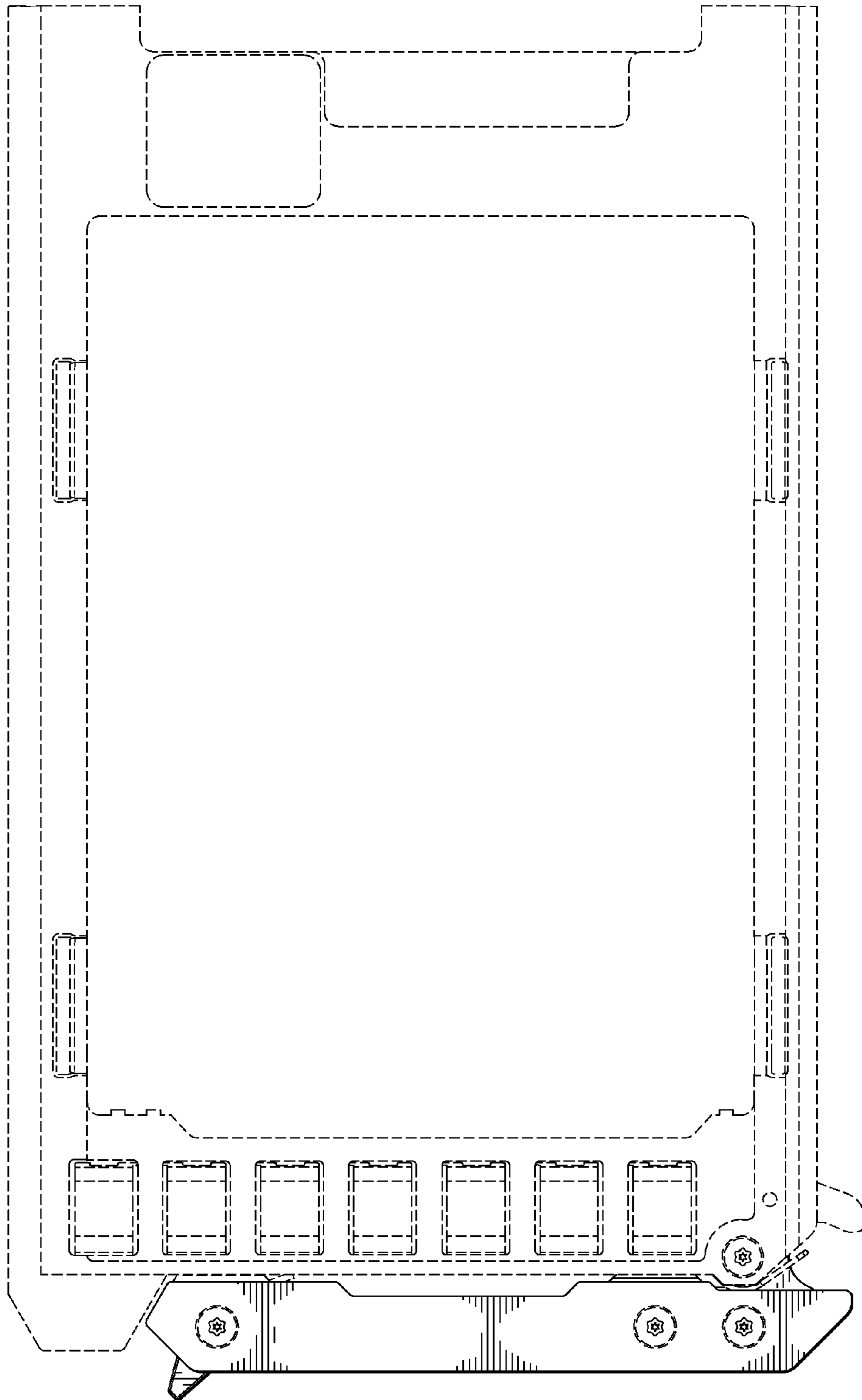


FIG. 6

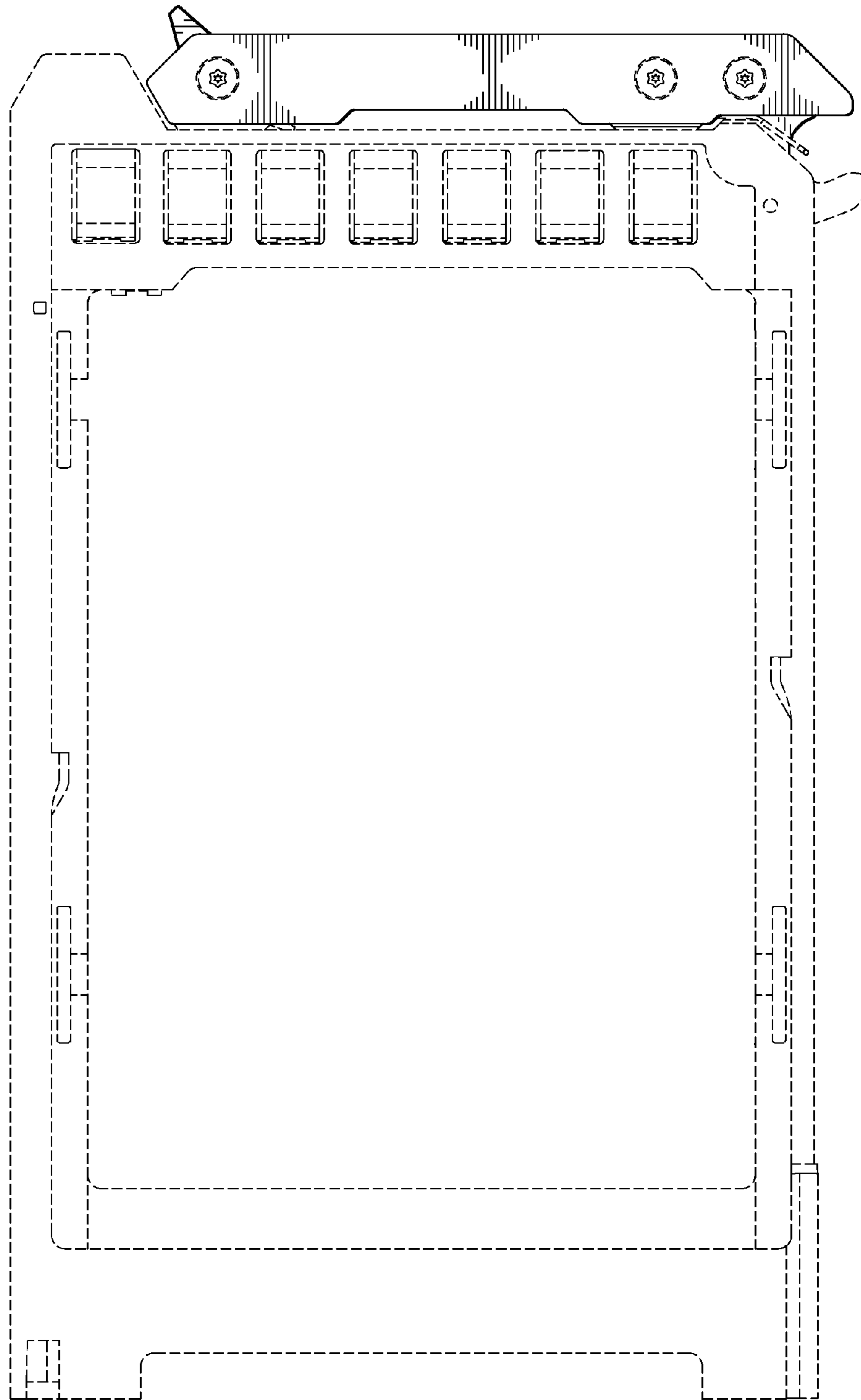


FIG. 7

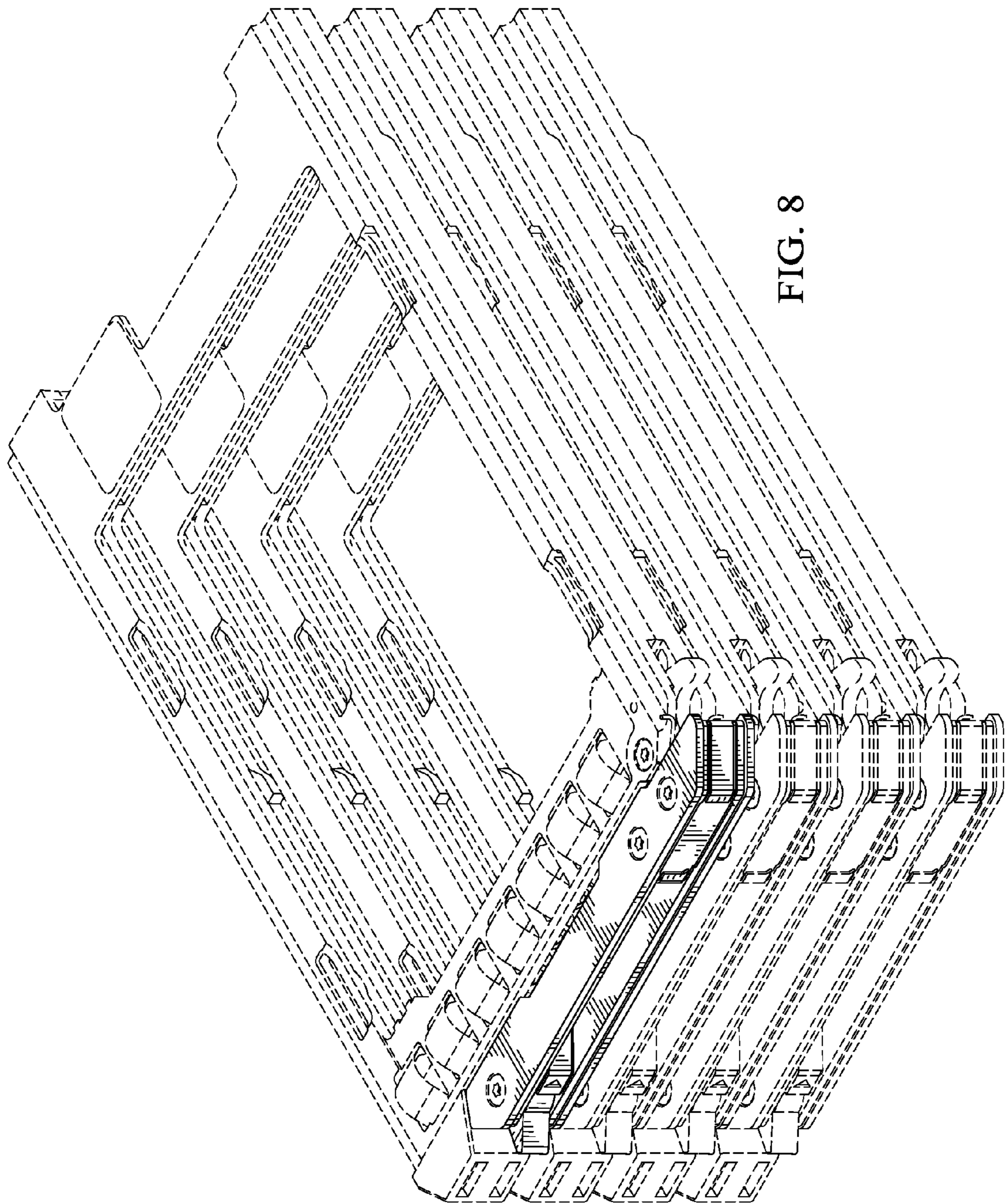


FIG. 8