

US00D735207S

(12) **United States Design Patent**  
**Dahlberg**

(10) **Patent No.:** **US D735,207 S**

(45) **Date of Patent:** **\*\* Jul. 28, 2015**

(54) **COMPUTER CASE**

(71) Applicant: **Precise Biometrics AB**, Lund (SE)

(72) Inventor: **Staffan Peter Dahlberg**, Lund (SE)

(73) Assignee: **Precise Biometrics AB**, Lund (SE)

(\*\*) Term: **14 Years**

(21) Appl. No.: **29/479,846**

(22) Filed: **Jan. 21, 2014**

(51) **LOC (10) Cl.** ..... **14-02**

(52) **U.S. Cl.**  
USPC ..... **D14/440**

(58) **Field of Classification Search**  
USPC ..... D14/250, 251, 253, 341, 318, 240, 217,  
D14/496, 440, 203.3, 203.4, 203.5, 203.8;  
455/575.1, 575.8; 312/240; D3/218,  
D3/215, 201, 294, 289, 900; 220/4.02;  
248/309.1; 361/679.56; 379/426,  
379/433.11, 455; 190/100; D21/469  
CPC ... G06F 1/1626; G06F 1/1633; G06F 1/1675;  
G06F 1/1679; G02F 1/1306; G02F 1/133;  
G02F 1/133308; G02F 1/153; G02F 1/1533;  
G02F 2001/133317; H04M 1/185; H04M  
1/0252; H04B 1/3888  
See application file for complete search history.

(56) **References Cited**

**U.S. PATENT DOCUMENTS**

3,992,010	A	*	11/1976	Mattenson	.....	273/153	R
D370,034	S	*	5/1996	Kipfer	.....	D21/502	
D489,162	S	*	5/2004	Dings-Plooj	.....	D1/121	
D597,052	S	*	7/2009	Kim et al.	.....	D14/138	AB
D634,314	S	*	3/2011	Fahrendorff et al.	.....	D14/250	
7,989,085	B2	*	8/2011	Li et al.	.....	428/614	
D646,266	S	*	10/2011	Kim et al.	.....	D14/250	
D649,144	S	*	11/2011	Fathollahi	.....	D14/250	
D656,929	S	*	4/2012	Hsiung	.....	D14/250	

D673,545	S	*	1/2013	Magness et al.	.....	D14/250	
D673,958	S	*	1/2013	Fathollahi	.....	D14/440	
D674,798	S	*	1/2013	Kim et al.	.....	D14/440	
D675,210	S	*	1/2013	Kim	.....	D14/440	
D678,871	S	*	3/2013	Mishan et al.	.....	D14/250	
D680,521	S	*	4/2013	Fathollahi	.....	D14/250	
D681,055	S	*	4/2013	Koh et al.	.....	D14/496	
D683,723	S	*	6/2013	Murchison et al.	.....	D14/250	
D684,150	S	*	6/2013	Goradesky et al.	.....	D14/250	
D685,358	S	*	7/2013	Armstrong et al.	.....	D14/250	
D694,759	S	*	12/2013	Chang et al.	.....	D14/440	
D695,298	S	*	12/2013	Han et al.	.....	D14/440	
D704,190	S	*	5/2014	Sugino et al.	.....	D14/432	
D706,782	S	*	6/2014	Dresser, III	.....	D14/440	
D717,775	S	*	11/2014	Hemesath et al.	.....	D14/250	
D717,776	S	*	11/2014	Hemesath	.....	D14/250	
D719,144	S	*	12/2014	Eulette	.....	D14/250	

\* cited by examiner

*Primary Examiner* — Cynthia Underwood

(74) *Attorney, Agent, or Firm* — Thomas|Horstemeyer, LLP

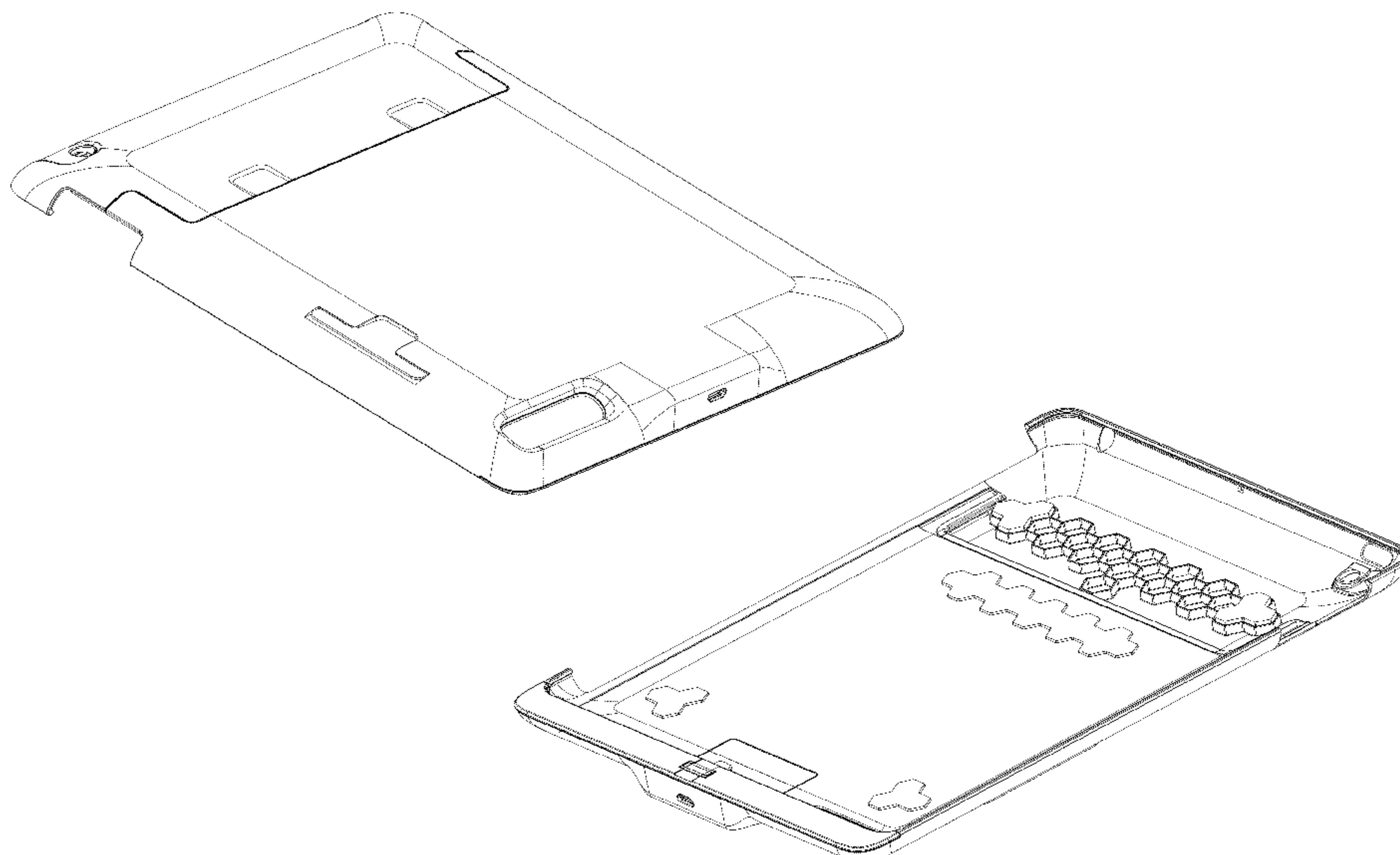
(57) **CLAIM**

The ornamental design for a computer case, as shown and described.

**DESCRIPTION**

FIG. 1 is a front elevational view of my new computer case; FIG. 2 is a perspective front view of my new computer case of FIG. 1; FIG. 3 is a perspective front view of my new computer case, from the end opposite that of FIG. 2; FIG. 4 is a perspective rear view of my new computer case, from the side opposite that of FIG. 2; FIG. 5 is a perspective rear view of my new computer case from a side opposite that of FIG. 3; FIG. 6 is an end view of my new computer case, as seen from the top of FIG. 1; and, FIG. 7 is an end view of my new computer case, as seen from the bottom of FIG. 1.

**1 Claim, 7 Drawing Sheets**



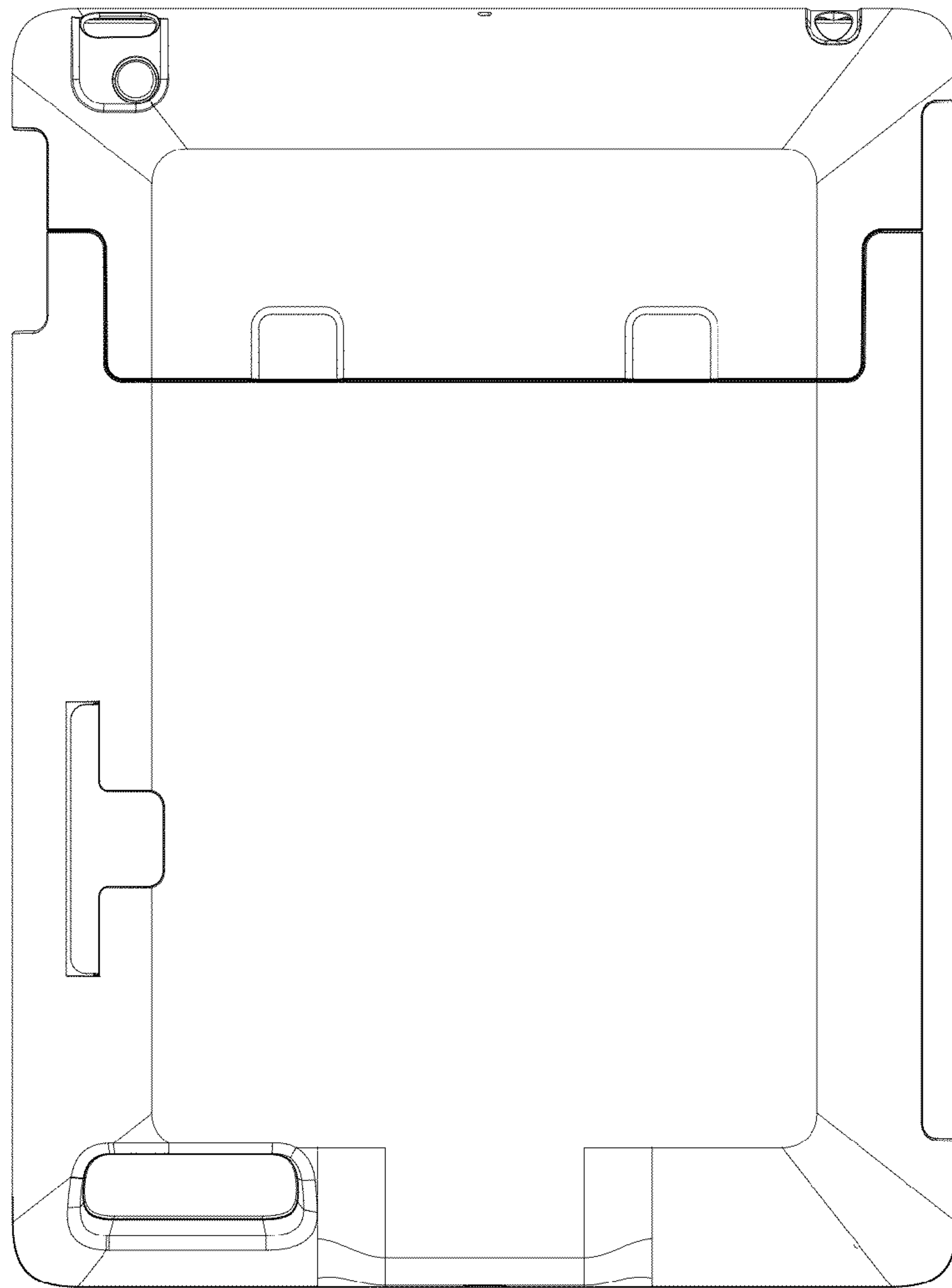


FIG. 1

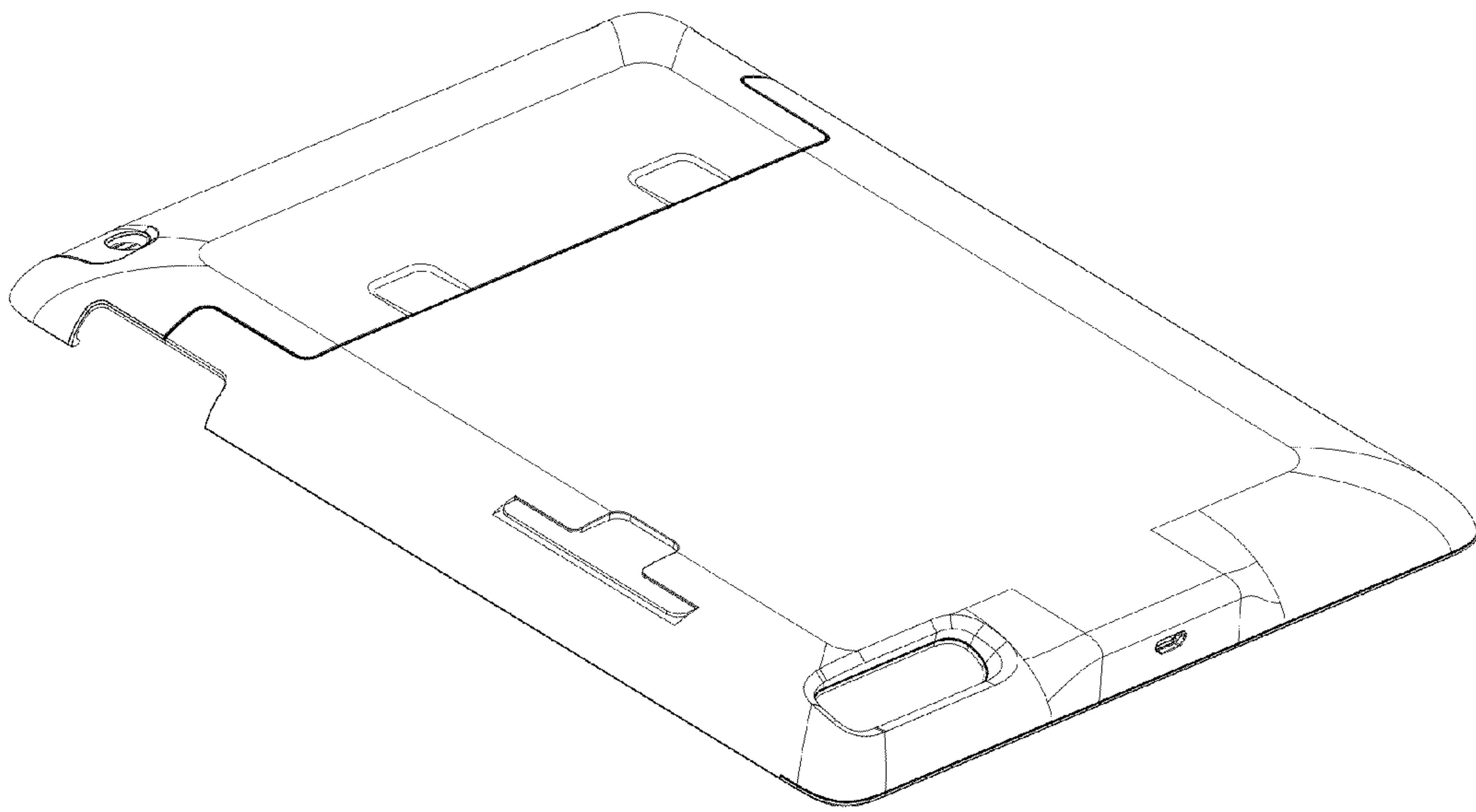


FIG. 2

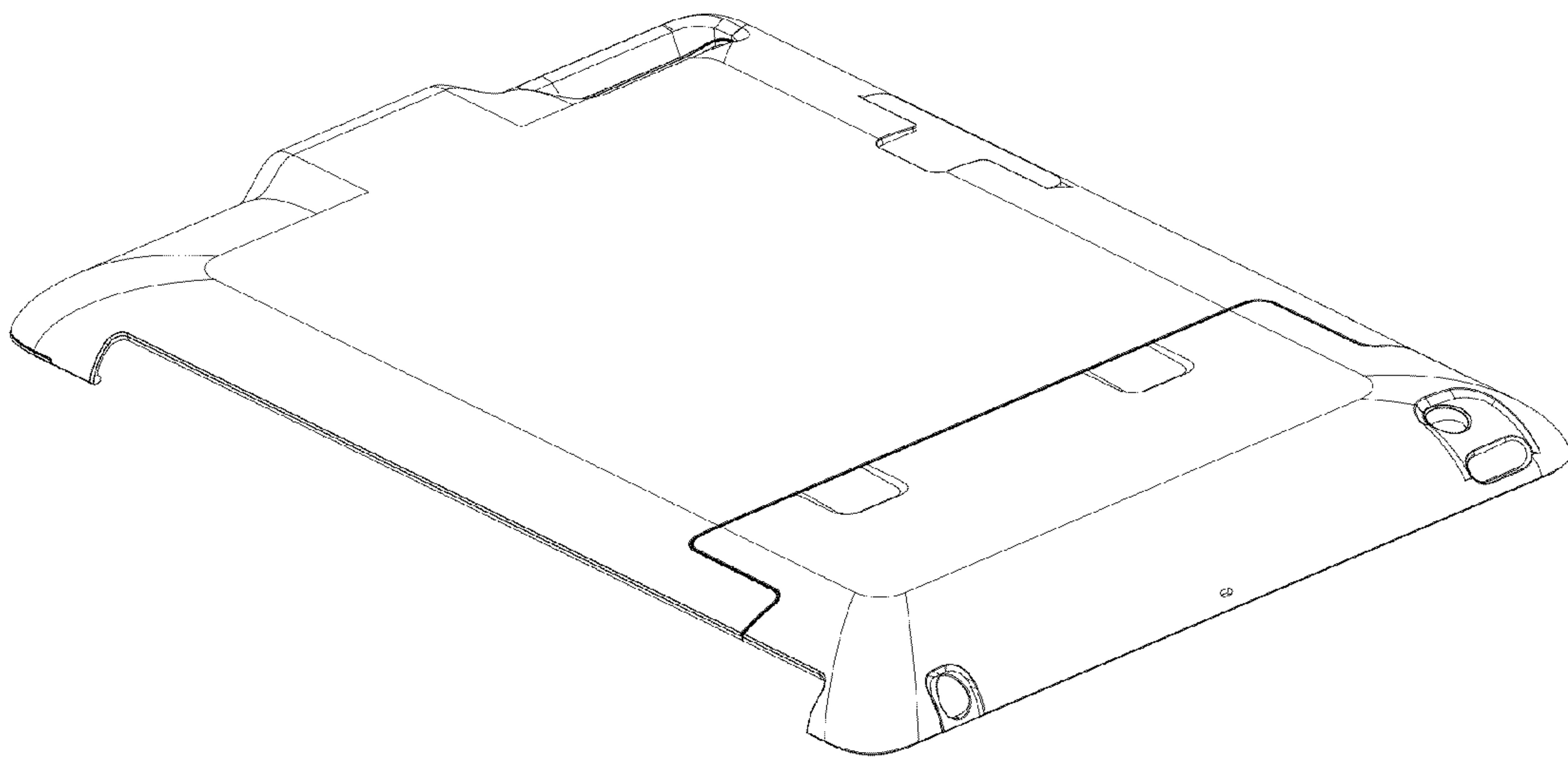


FIG. 3

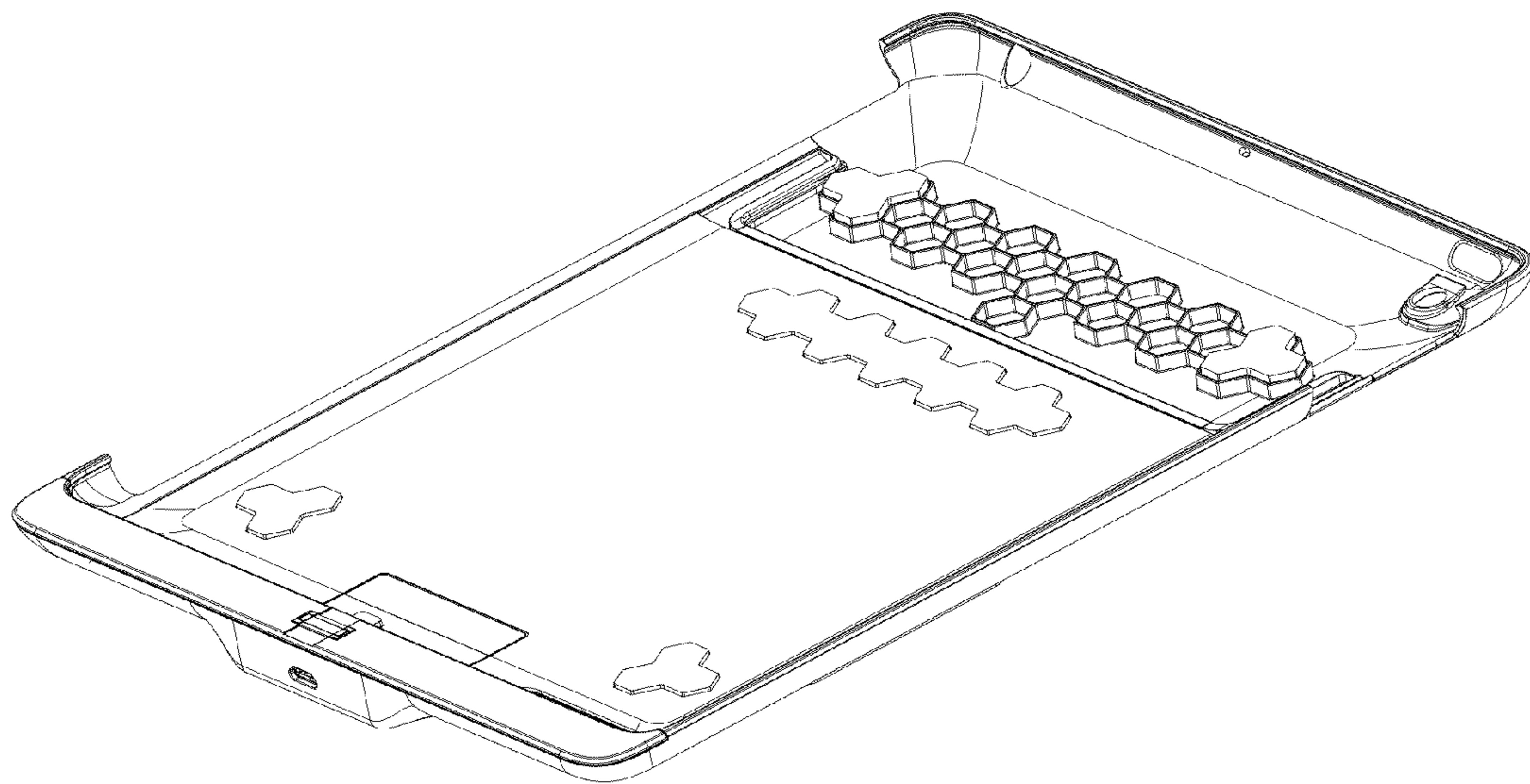


FIG. 4



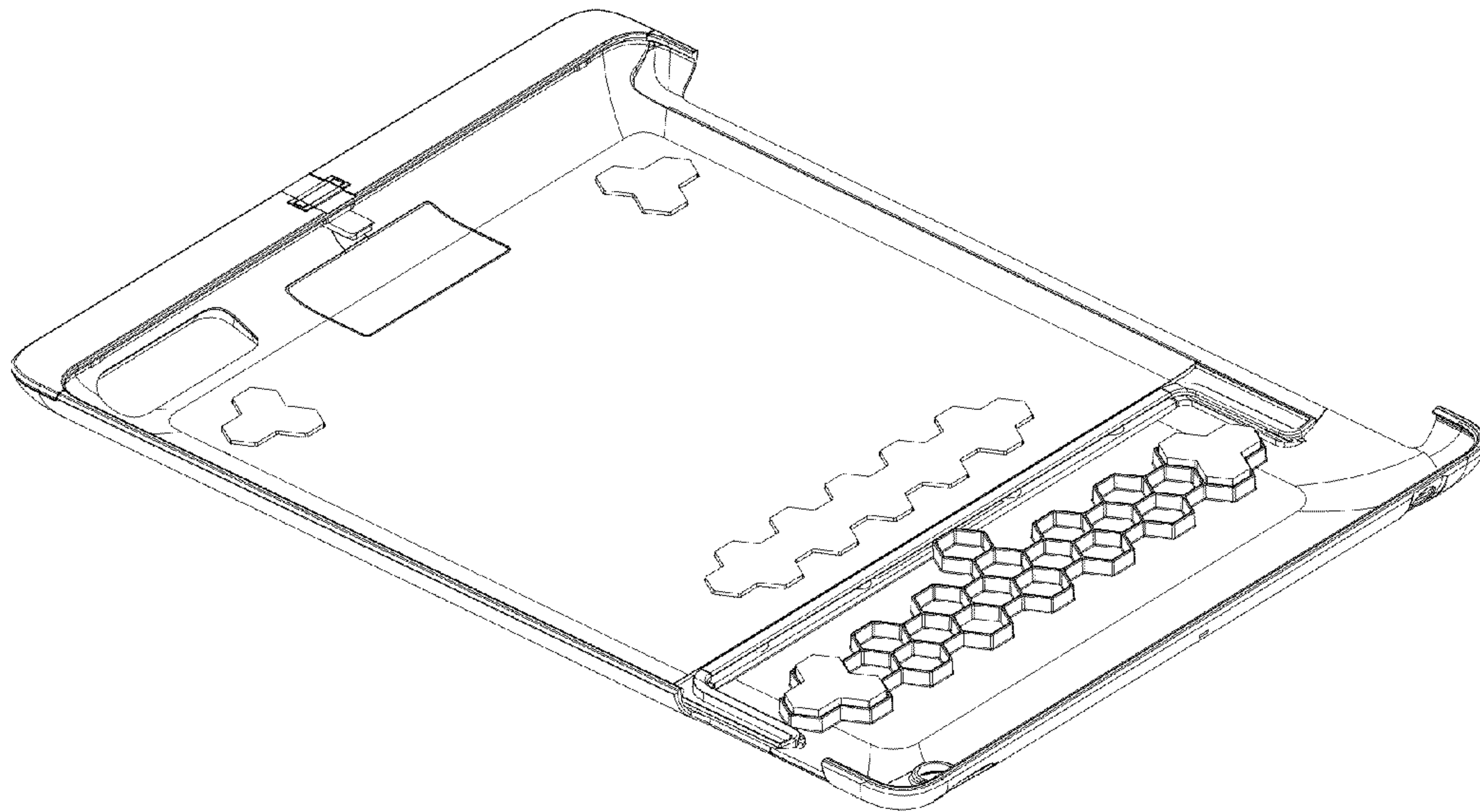


FIG. 5



FIG. 6



FIG. 7