

US00D735206S

(12) **United States Design Patent**
Dahlberg

(10) **Patent No.:** **US D735,206 S**
(45) **Date of Patent:** **** Jul. 28, 2015**

(54) **COMPUTER CASE**

(71) Applicant: **Precise Biometrics AB**, Lund (SE)

(72) Inventor: **Staffan Peter Dahlberg**, Lund (SE)

(73) Assignee: **Precise Biometrics AB**, Lund (SE)

(**) Term: **14 Years**

(21) Appl. No.: **29/479,841**

(22) Filed: **Jan. 21, 2014**

(30) **Foreign Application Priority Data**

Oct. 22, 2013 (EM) 002330977-0002

(51) **LOC (10) Cl.** **14-02**

(52) **U.S. Cl.**
USPC **D14/440**

(58) **Field of Classification Search**

USPC D14/250, 251, 253, 341, 318, 240, 217,
D14/496, 440, 203.3, 203.4, 203.5, 203.8;
455/575.1, 575.8; 312/240; D3/218,
D3/215, 201, 294, 289, 900; 220/4.02;
248/309.1; 361/679.56; 379/426,
379/433.11, 455; 190/100; D21/469

CPC ... G06F 1/1626; G06F 1/1633; G06F 1/1675;
G06F 1/1679; G02F 1/1306; G02F 1/133;
G02F 1/133308; G02F 1/153; G02F 1/1533;
G02F 2001/133317; H04M 1/185; H04M
1/0252; H04B 1/3888

See application file for complete search history.

(56) **References Cited**

U.S. PATENT DOCUMENTS

3,992,010 A * 11/1976 Mattenson 273/153 R
D370,034 S * 5/1996 Kipfer D21/502
D489,162 S * 5/2004 Dings-Plooij D1/121
D597,052 S * 7/2009 Kim et al. D14/138 AB
D634,314 S * 3/2011 Fahrendorff et al. D14/250

7,989,085 B2 * 8/2011 Li et al. 428/614
D646,266 S * 10/2011 Kim et al. D14/250
D649,144 S * 11/2011 Fathollahi D14/250
D656,929 S * 4/2012 Hsiung D14/250
D673,545 S * 1/2013 Magness et al. D14/250
D673,958 S * 1/2013 Fathollahi D14/440
D674,798 S * 1/2013 Kim et al. D14/440
D675,210 S * 1/2013 Kim D14/440
D678,871 S * 3/2013 Mishan et al. D14/250
D680,521 S * 4/2013 Fathollahi D14/250
D681,055 S * 4/2013 Koh et al. D14/496
D683,723 S * 6/2013 Murchison et al. D14/250
D684,150 S * 6/2013 Goradesky et al. D14/250
D685,358 S * 7/2013 Armstrong et al. D14/250
D694,759 S * 12/2013 Chang et al. D14/440
D695,298 S * 12/2013 Han et al. D14/440
D704,190 S * 5/2014 Sugino et al. D14/432
D706,782 S * 6/2014 Dresser, III D14/440
D717,775 S * 11/2014 Hemesath et al. D14/250
D717,776 S * 11/2014 Hemesath D14/250
D719,144 S * 12/2014 Eulette D14/250

* cited by examiner

Primary Examiner — Cynthia Underwood

(74) *Attorney, Agent, or Firm* — Thomas|Horstemeyer, LLP

(57) **CLAIM**

The ornamental design for a computer case, as shown and described.

DESCRIPTION

FIG. 1 is a front elevational view of my new computer case; FIG. 2 is a perspective front view of my new computer case of FIG. 1;

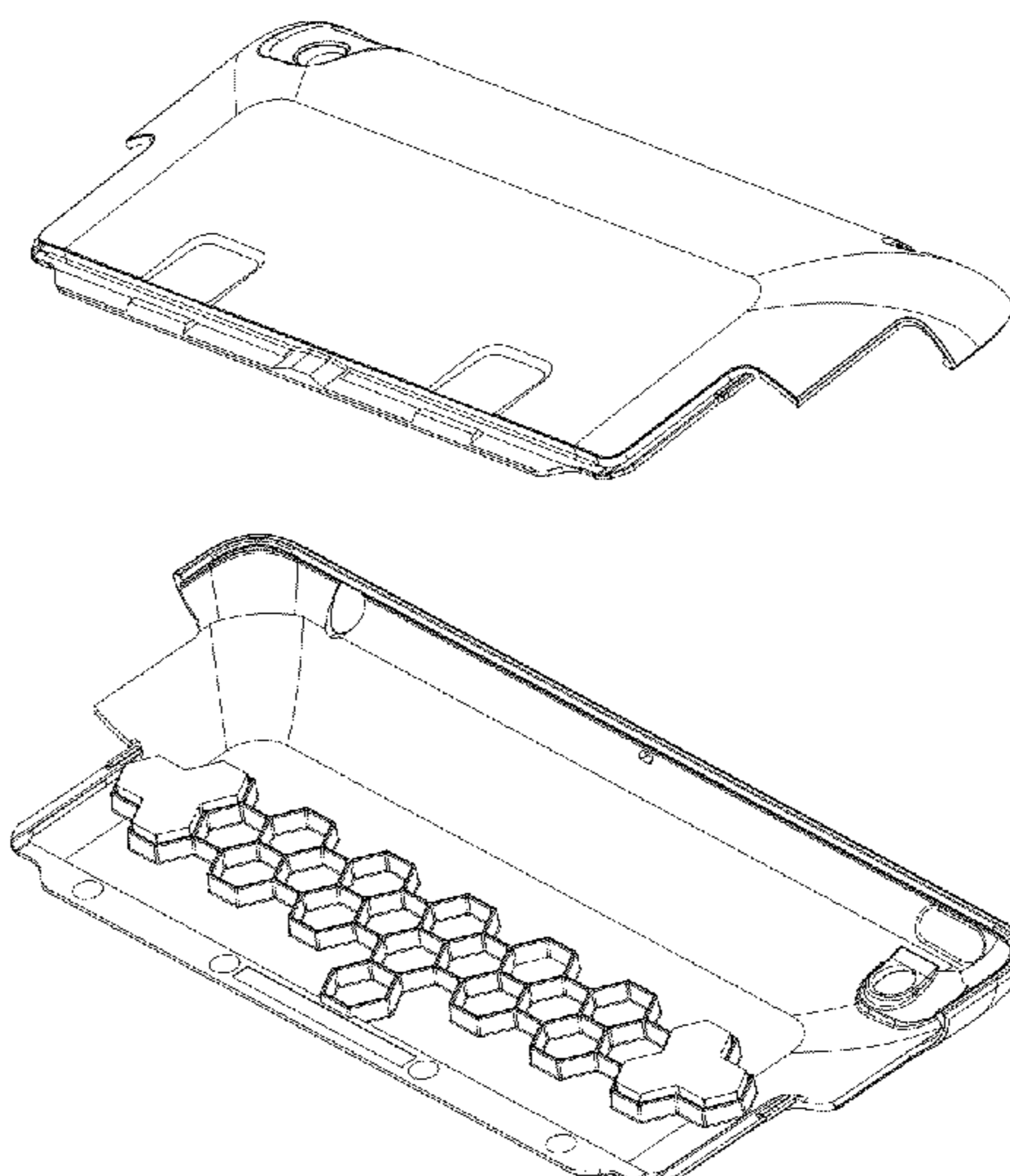
FIG. 3 is a perspective front view of my new computer case, from the end opposite that of FIG. 2;

FIG. 4 is a rear elevational view of my new computer case opposite that of FIG. 1;

FIG. 5 is a perspective rear view of my new computer case of FIG. 4; and,

FIG. 6 is an end view of my new computer case, as seen from the top of FIG. 1.

1 Claim, 6 Drawing Sheets



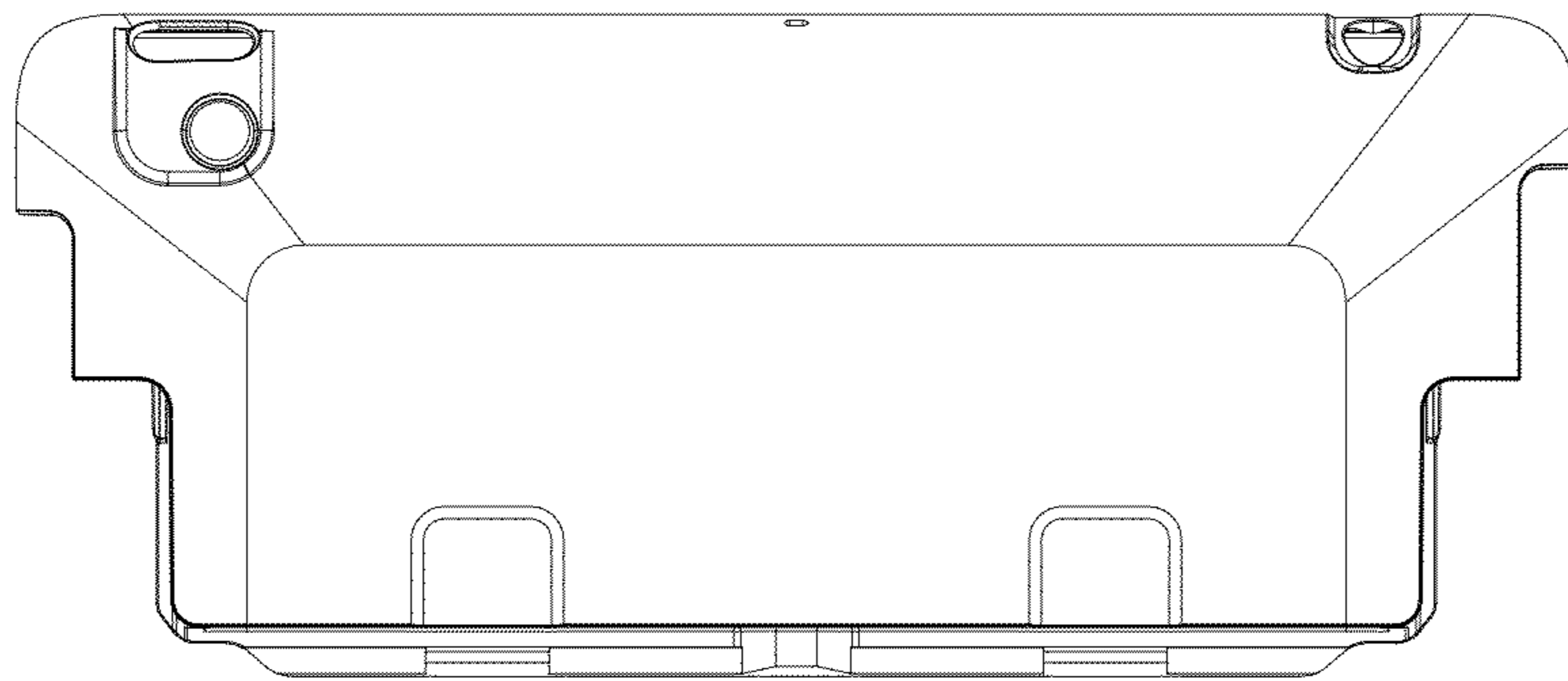


FIG. 1

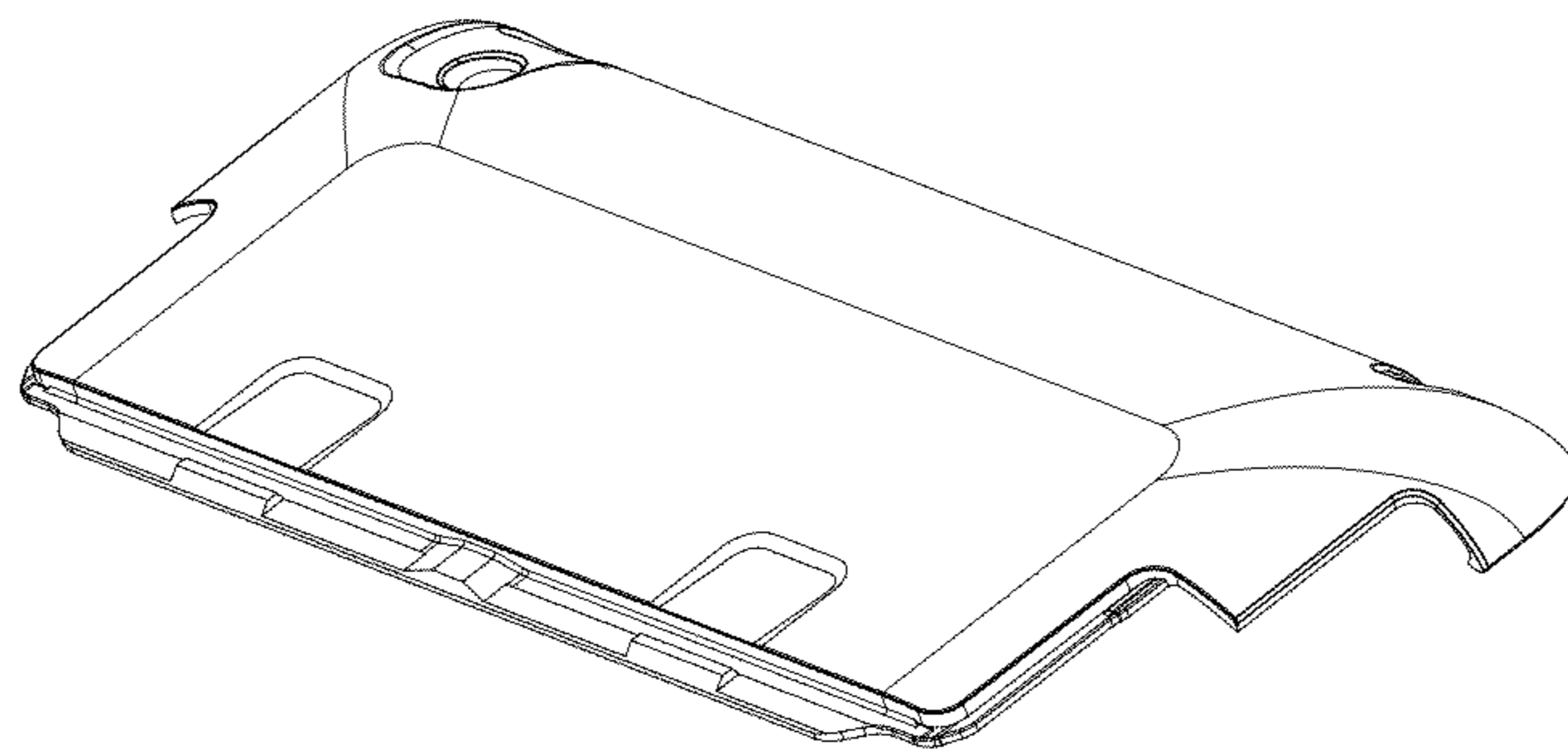


FIG. 2

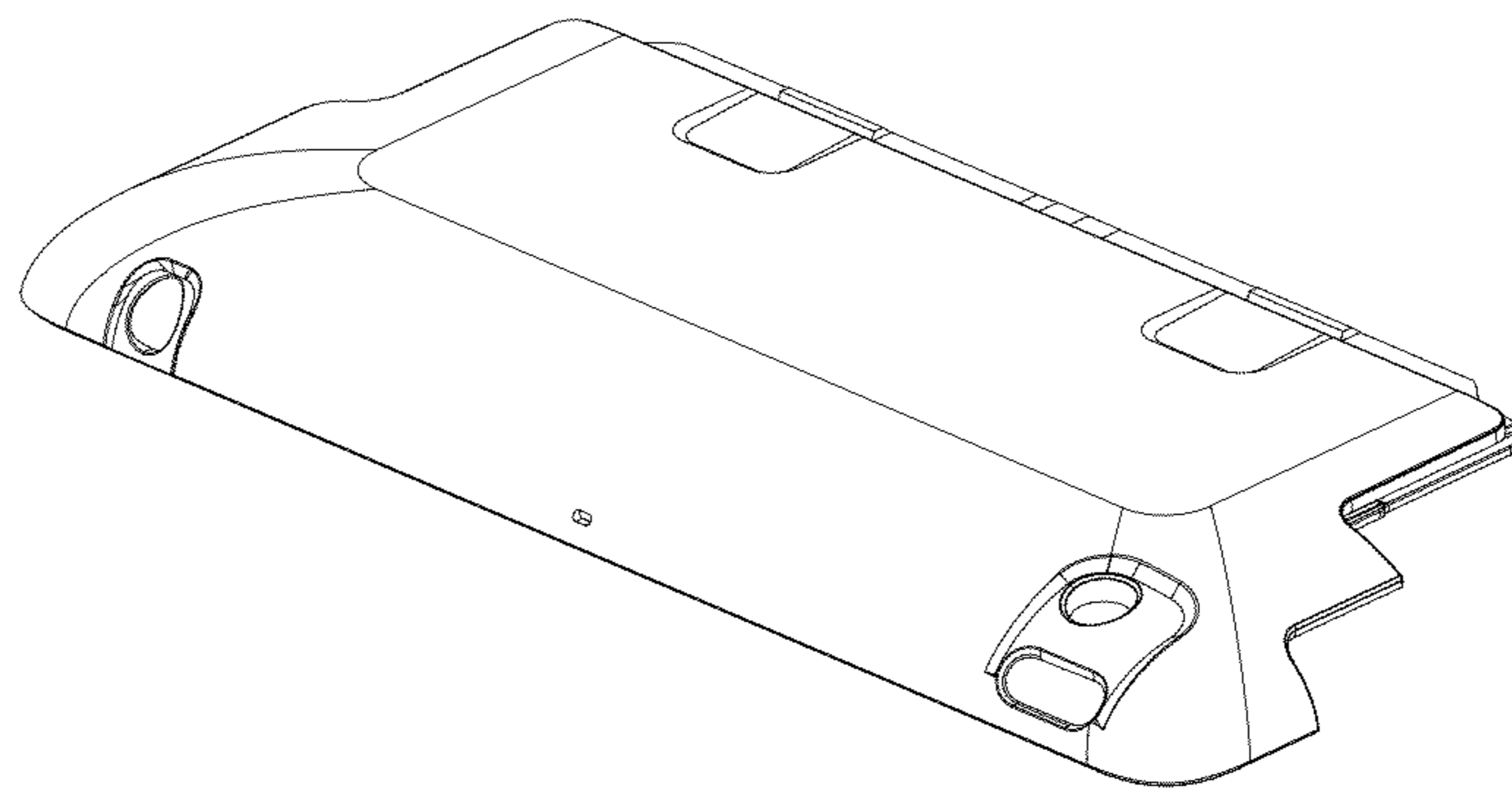


FIG. 3

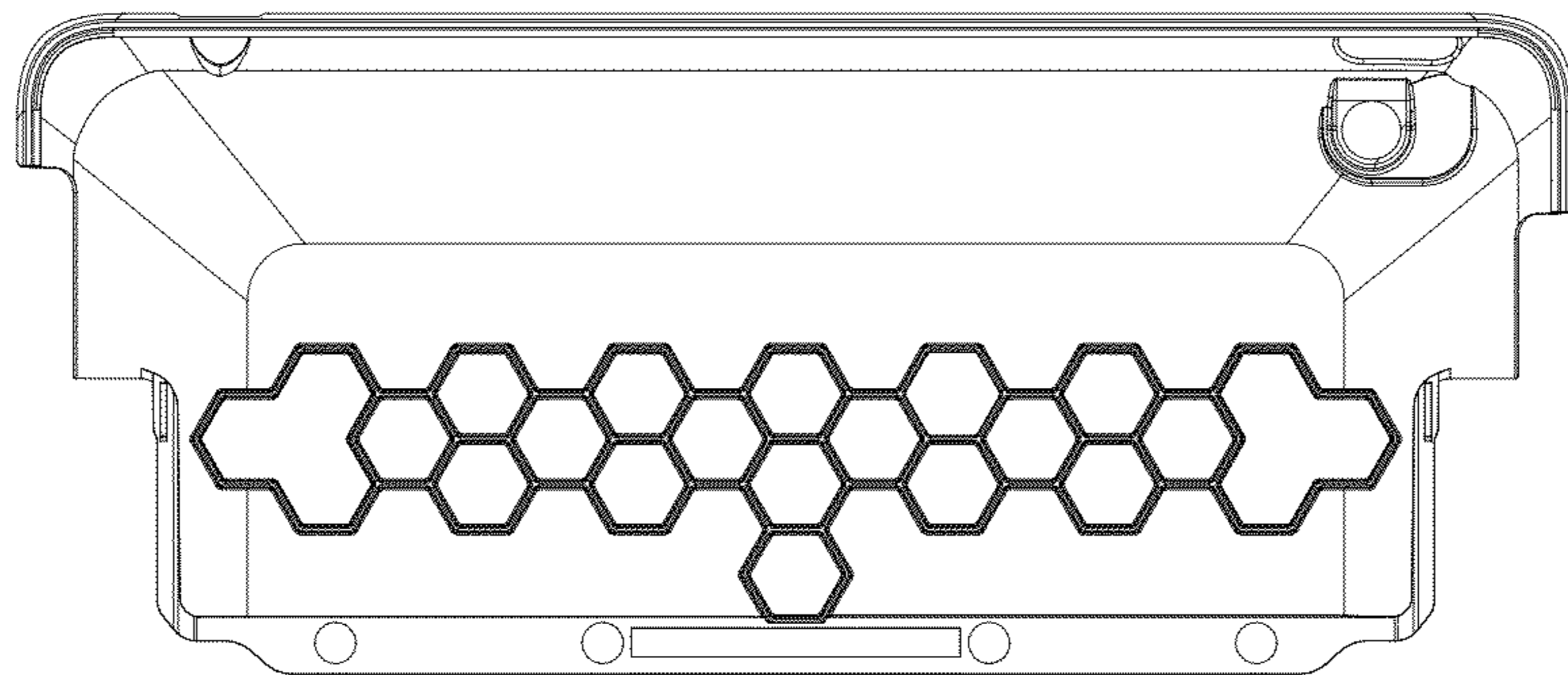


FIG. 4

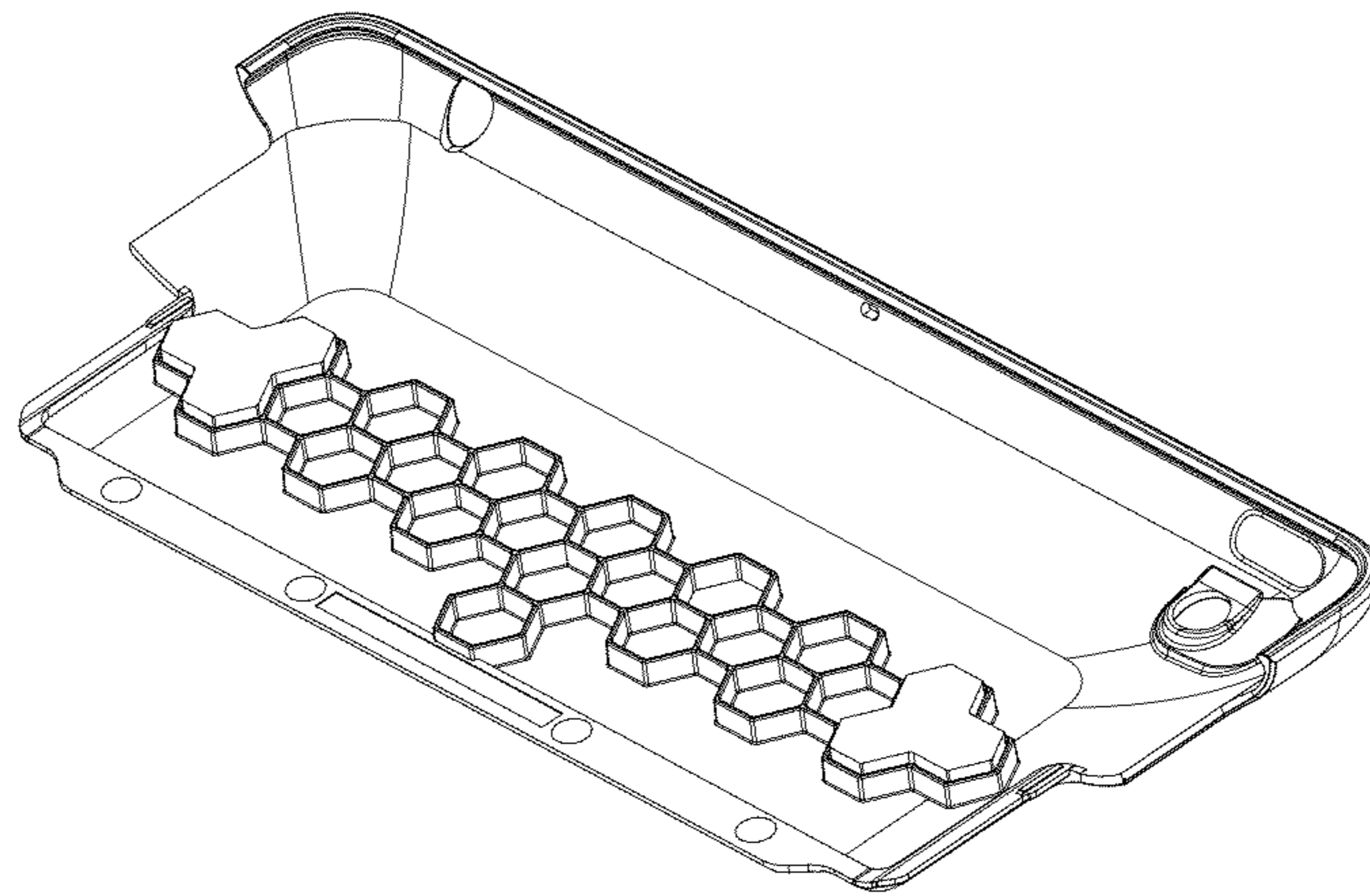


FIG. 5

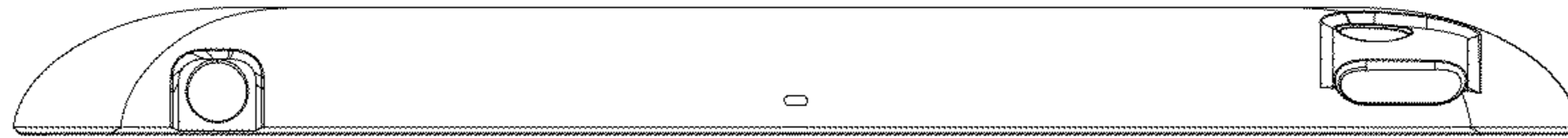


FIG. 6